



# allroad Index

## Radio/Electrical

Satellite Radio .....	2
Hands Free Phone .....	3
Hands Free Phone Components .....	4
Cellular Phone Antenna .....	5
CD Changer .....	6
Cassette Box .....	6
Halogen Map Reading Light .....	7
Mini Flashlight .....	7
Fuses .....	7

## Interior

Floor Mats:	
Rubber .....	8
Multi-Season Carpeted .....	8
UV Sunshield .....	9
Custom Cargo Mat .....	9
Foam Rubber Cargo Mat .....	10
Molded Carpeted Trunk Mat .....	10
Gearshift Knob .....	11

## Exterior

Roof Carrier System:	
Carrier Bars .....	12
Bicycle Carrier System .....	13
Bike Holder Attachment (1 bike) Fork Mount .....	14
Bike Holder Attachment Fork Mount .....	15
Bike Lift Fork Mount .....	16
Sport and Luggage Box .....	17
Surfboard/Kayak Holder .....	18
Luggage Basket .....	19
Softside Luggage Carrier .....	20
Snowboard/Ski Attachment .....	21
Chrome Grille Strips .....	22
Spoiler .....	23
Splash Guards .....	24
Car Cover .....	25
Cable & Lock Set .....	25
Hood & Mirror Cover Set .....	26
Sunroof Air Deflector: .....	27
Wheel Bolt Wrench .....	27
Valve Stem Cap .....	27
Wheel Bolts .....	28
Alloy Wheels .....	29
Trailer Hitch .....	31



# Satellite Radio



Part No.	Description	Application	
8E0 057 593 D	Sirius Satellite receiver	allroad	2004

**SIRIUS Satellite Radio delivers more than 125 channels of the best programming in all of radio. SIRIUS is the original and only home of 100% commercial free music channels in satellite radio, offering 67 music channels available nationwide. SIRIUS also delivers 61 channels of sports, news, talk, entertainment, traffic, weather and data. SIRIUS is the Official Satellite Radio Partner of the NFL, NBA, and NHL and broadcasts live play-by-play games of the NFL, NBA, and NHL. Plus NASCAR moves to SIRIUS in 2007.**

**The only home of 100% commercial-free music channels** – With dedicated channels for nearly every genre, you hear the music you want, commercial free.

**Live play-by-play & expert talk from the biggest sports** – NFL, NBA, NHL, and games from over 150 college sports teams, Plus NASCAR moves to SIRIUS in 2007.

**Exclusive Entertainment & Talk** – Howard Stern, Blue Collar Comedy, Maxim Radio, Jim Breuer and much more

**Especially for Women** – Lifestyle and how-to-programming from Martha Stewart Living Radio, Cosmopolitan Radio, Barbara Walters, Candance Bushell and more

**World class news** – Stay informed with FOX, CNN, NPR, the BBC and more. Plus local traffic & weather.

**Family & Kids** – It's G-rated fun for everyone with Radio Disney, Kids Stuff, and Laugh Break Comedy.

Visit [www.accessAudi.com](http://www.accessAudi.com) for regular program updates and special promotions.

XM Receivers will no longer be available after July 30, 2006.



# Hands Free Phone



Part No.	Description	Application	Availability
<b>8E0 051 431 A</b>	Hands Free Phone Installation Kit for Nokia 51xx, 61xx and 7110 only	allroad quattro	01 ►

Δ Phone sold separately  
 Δ System includes:  
     Harness  
     Control box  
     Directional microphone  
     Installation hardware  
 Δ System is compatible for use in all vehicles with Audi glovebox and trunk mounted CD changer installation  
 Δ CD/Radio will mute whenever a call is received or made  
 Δ "Phone" will appear on the radio and instrument cluster displays  
 Δ Installation instructions call out all features and benefits  
 Δ For vehicles without OnStar™ systems

**SELL OUT ITEM**

---

<b>8E0 051 431 B</b>	Hands Free Phone Installation Kit for Audi V60 handset only	allroad quattro	01 ►
----------------------	---	-----------------	------

Δ Phone sold separately  
 Δ System includes:  
     Harness  
     Control box  
     Directional microphone  
     Installation hardware  
 Δ System is compatible for use in all vehicles with Audi glovebox and trunk mounted CD changer installation  
 Δ CD/Radio will mute whenever a call is received or made  
 Δ "Phone" will appear on the radio and instrument cluster displays  
 Δ Installation instructions call out all features and benefits  
 Δ For vehicles without OnStar™ systems  
 Δ Not for vehicles V60 S/X/G phones

# Hands Free Phone Components

Part No.	Description	Application	Availability
----------	-------------	-------------	--------------

**Optional retrofit components for Nokia Hands Free Phone installation kit 8E0 051 431 A**

<b>8D0 051 434</b>	Retrofit Harness (Nokia)	allroad quattro	01
--------------------	--------------------------	-----------------	----

△ Required for vehicles equipped with Concert 1 or Symphony 1 radios

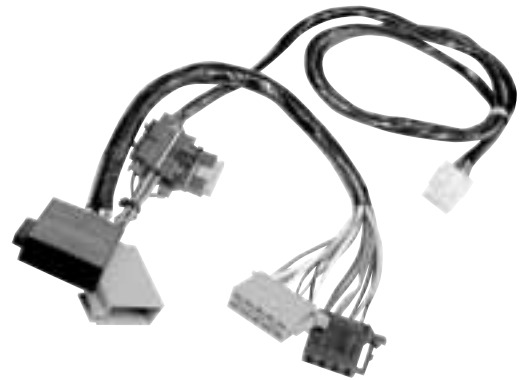
△ Use in conjunction with speaker **8D0 051 434 A**

**Optional retrofit components for V60 Hands Free Phone installation kit 8E0 051 431 B**

<b>8D0 051 434B</b>	Retrofit Harness	allroad quattro	01
---------------------	------------------	-----------------	----

△ Required for vehicles equipped with Concert 1 or Symphony 1 radios

△ Use in conjunction with V60 retrofit kit speaker **000 051 437 E**




---

<b>8D0 051 434 A</b>	Hands Free Speaker (Nokia)	allroad quattro	01
----------------------	----------------------------	-----------------	----

△ Required for vehicles equipped with Concert 1 or Symphony 1 radios

△ Use in conjunction with harness **8D0 051 434**

<b>000 051 437 E</b>	Hands Free Speaker (V60)	allroad quattro	01 ▶
----------------------	--------------------------	-----------------	------

△ Required the installation of the V60 retrofit kit **8E0 051 431 B**

△ Works with MY 1998 ▶ vehicles with Symphony and Concert 1 and 2 radios with V60 retrofit kit **8E0 051 431 B**





# Cellular Phone Antenna

Part No.	Description	Application	Availability
ZVW 372 001	Cellular/PCS	All glass mount	

- Δ Universal application
- Δ Sleek appearance—small footprint provides minimal visual impact
- Δ Low profile—short quarterwave design for localized urban areas where higher gain may not be required
- Δ Flexible foot—improved design adheres better to curved glass surfaces
- Δ Frequency turned design—optimum performance with no field tuning required
- Δ High performance—patented coupling box provides maximum efficiency while PRO-FLEX™ cable minimizes loss

## Specifications

### Electrical

.....900 MHz.....	GPS
Frequency Range .....824 - 894 MHz .....	1850 - 1990 MHz
Gain .....Unity ( 2 dBi ) .....	Unity ( 2 dBi )
VSWR.....1.9:1.....	1.9:1
Power.....10 watts .....	10 watts
Bandwidth.....70 MHz.....	140 MHz
Impedance .....50 Ohms .....	50 Ohms
E-plane Beamwidth.....70° .....	70°
H-plane Beamwidth .....Omnidirectional .....	Omnidirectional
Polarization .....Vertical.....	Vertical

### Mechanical

Antenna Length .....	4 inches (10.2 cm)
Antenna Diameter.....	.39 inches (.99 cm)
Antenna Material .....	Flexible plastic
Cable.....	15 ft. (4.6 m) PRO-FLEX™ PLUS



## 000 051 506 D Bumper Mount Antenna

- Δ Improves signal strength
- Δ Improves reception
- Δ Performance can be affected by weak signal from carrier or signal interruption by mountainous terrain or tall buildings
- Δ Stealth look—just like OEM
- Δ Installation difficulty—high install time, approximately 1.5 to 2.5 hours



# CD Changer; Cassette Box



Part No.	Description	Application	Availability
<b>4B0 035 111 A</b>	CD Changer	allroad quattro	01 ▶ 05

Note: no additional kit required, except 4 screws, PN **N 014 128 11**

Installation time units: 45 time units

<b>3B0 051 179</b>	CD Magazine Cartridge CD Changer 6 disc	<b>4B0 035 111 A</b>
--------------------	--	----------------------

- Δ Pre-load 6 additional CDs
- Δ While inserting, magazine must be kept level to prevent discs from sliding out
- Δ Avoid inserting tray diagonally into slots
- Δ Only one tray per slot





# Map Reading Light; Fuses

Part No.	Description	Application	Availability
<b>ZVW 265 001</b>	Halogen Map Reading Light Lighter Plug w/Lighter Socket 8" Flexible Arm	All 12V	



- Δ 12 Volt low-energy halogen lamp which plugs into lighter socket
- Δ Lamp has a 8 inch flexible neck and can be tilted in any direction
- Δ Emits a bright, glare-free light. Oversized switch is mounted on top for easy on/off

<b>4F0 947 175</b>	Mini Flashlight	All Audi Models
--------------------	-----------------	-----------------

LED mini flashlight.  
The travelers friend.

This convenient light is rechargeable and gives you approximately 30 minutes of operating time. Simply turn the head to operate. The LED service life is approximately 20,000 hours. To charge simply plug it in to your Audi's 12 volt power outlet. Available for all Audi models.



<b>ZAW 998 999</b>	Blade Fuses Fuse Kit (Plug-in type)	All
--------------------	--	-----

- Δ Assortment of 12 of the most commonly needed fuses in self serve/display package
- Δ Clear plastic box inside blister is suitable for storage in glove compartment

**Assortment of 12 Blade-type fuses:**

2	5 Amp	N 017 131 16 (Tan)
2	10 Amp	N 017 131 11 (Red)
2	15 Amp	N 017 131 12 (Light Blue)
2	20 Amp	N 017 131 13 (Yellow)
2	25 Amp	N 017 131 14 (Natural)
2	30 Amp	N 017 131 15 (Light Green)





# Floor Mats



**Attention:** New rubber mats may emit a naturally occurring odor. We recommend washing mats with a light detergent prior to installation.

Part No.	Description	Application	Availability
	Premium All-Weather Rubber Mats set of 4		
<b>ZAW 179 008 BLK</b>	allroad Logo black	allroad quattro	01 ▶ 05

Authentic Audi All-Weather Floor Mats feature a deep ribbed channel design to protect the floor carpeting from water, sand, mud, and snow. Our rubber mats conform to the vehicles' exact contours for maximum protection of the interior. Authentic mats possess safety features like positive retention anchors and an exclusive chevron w/nib design for added security. Rubber mats are black, with contrasting allroad logo to complement your interior. New rubber mats may emit a naturally occurring-odor. We recommend washing mats with a light detergent prior to installation. (Set of 4.)

Installation time units: 20

---

	Multi-Season Carpeted Floor Mats set of 2		
<b>4B1 061 225 EC ***</b>	front (original equipment)	allroad quattro	01 ▶ 05
<b>4B0 061 226 ED ***</b>	rear (original equipment)		
<b>ZAW 178 310 ***</b>	set of 4 20 oz. pile	allroad quattro	01 ▶ 05

\*\*\* = Color Code 98: **1A8** Green, **1JP** Light Brown, **90G** Black, **93X** Jive/Beige/Twist

- Δ Color matched
- Δ Precision fit to help protect O.E. carpet from water and dirt
- Δ Skid resistant

Installation time units: 20







# Sunshield; Coat Hanger; Cargo Mat



Part No.	Description	Application	Availability
<b>ZAW 400 812</b>	UV Sunshield	allroad quattro	01 ▶ 05

- Δ Custom cut to fit vehicle
- Δ Triple laminated interior
- Δ Helps protect vehicle interior from harmful UV rays
- Δ Helps reduce inside temperature
- Δ Velcro straps store neatly when not in use

---

<b>ZAW452800 BLK</b>	Custom Cargo Mat	allroad	01 ▶ 05
----------------------	------------------	---------	---------

Comes with allroad nomenclature badge

- Δ Custom fitted for each model
- Δ Non-slip textured plastic material controls load shifting
- Δ Raised lip contains spills and protects cargo area carpeting from stains
- Δ Easily cleaned with mild soap and water
- Δ Engineered for toughness and durability
- Δ Easy installation



# Cargo Mat



Part No.	Description	Application	Availability
<b>4B9 061 160</b>	Foam Rubber Cargo Mat	allroad quattro	01 ▶ 05

- △ Custom-fitted foam trunk liners
- △ Helps protect trunk while transporting cargo
- △ Non-slip, easily cleaned with mild soap and water
- △ Black
- △ Designed for light duty

Molded Rubber and Carpeted Trunk Mat with Cargo Management complete with 4 blocks

<b>ZAW 380 301 ***</b> <b>ZVW 380 301</b>	allroad logo Additional Cargo Blocks	allroad quattro	01 ▶ 05
--	---	-----------------	---------

\*\*\* = Color Code: **BLK** Black, **BEG** Beige

Covers useable trunk area

Audi molded carpeted mats are made from moisture resistant heavy-duty rubber covered with a plush nylon carpet to help keep your trunk area protected from spills, scratches and dirt that happen when transporting gear. This mat fits perfectly into your vehicle and stays snug. Cleaning is simple, just hose it off or use a mild detergent on heavier stains. The Cargo Logic system is designed to help organize and control movement of items placed in the cargo area of your vehicle. It is not intended for use as a safety restraint and may not be suitable for some large or unsafe objects.





## Gear Shift Knob

Part No.	Description	Application	Availability
<b>500 080 000 31 003</b>	Gearshift Knob Walnut Brown Highly polished Automatic Transmission		01 ▶ 03

- Δ Adds to enhancement of interior appearance
- Δ Highly polished walnut
- Δ A quattro GmbH design



# Roof Carrier System: Carrier Bars



Part No.	Description	Application	Availability
<b>4B9 071 151 666</b>	Cross Bars	allroad quattro	01 ▶ 05

- Δ Lockable, set of 2 in conjunction with roof rails only
- Δ Plastic coated aerodynamic aluminum sections
- Δ Cylinder locks are built into the covered end caps

Required as base for roof attachments:

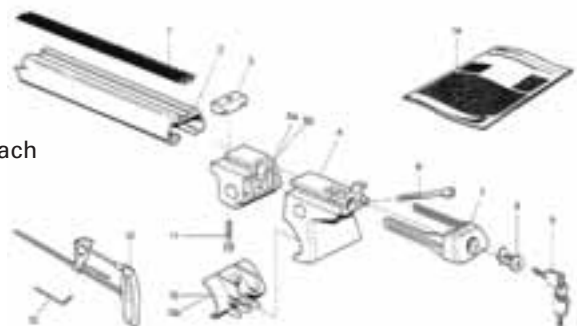
Bike holder	<b>1F0 071 128 UA</b>	Surfboard holder	<b>445 071 127</b>
Luggage basket	<b>191 071 130 F</b>	Sport and luggage box	<b>000 071 300 A</b>
Snowboard/Ski holder	<b>3B0 071 129 UA</b>	Bike Lift	<b>4D0 071 128 UB</b>
Bike Holder-fork mount	<b>7M0 071 128 B</b>	Bike Holder	<b>8E0 071 128</b>

**The Maximum Permissible roof load is 165 lbs/75 kg., evenly distributed**

Installation time units: 75

## Single Components - Cross Bars 4B9 071 151 666

Key No.	Description	Part No.	Qty.
	Tensioner, outer.....	<b>7M0 071 736</b>	.....1
	Tensioner, inner & bolt.....	<b>7M0 071 735</b>	.....1
	Lock set.....	<b>7M0 071 734</b>	.....4
	Cover cap (half moon).....	<b>7M0 071 719</b>	.....8
	Tensioning Screw .....	<b>7M0 071 739</b>	.....4
3,4,11	Clamping piece.....	<b>7M0 071 737A</b>	.....2 each
7	Cover cap (half moon).....	<b>7M0 071 738</b>	.....1



# Bike Carrier System



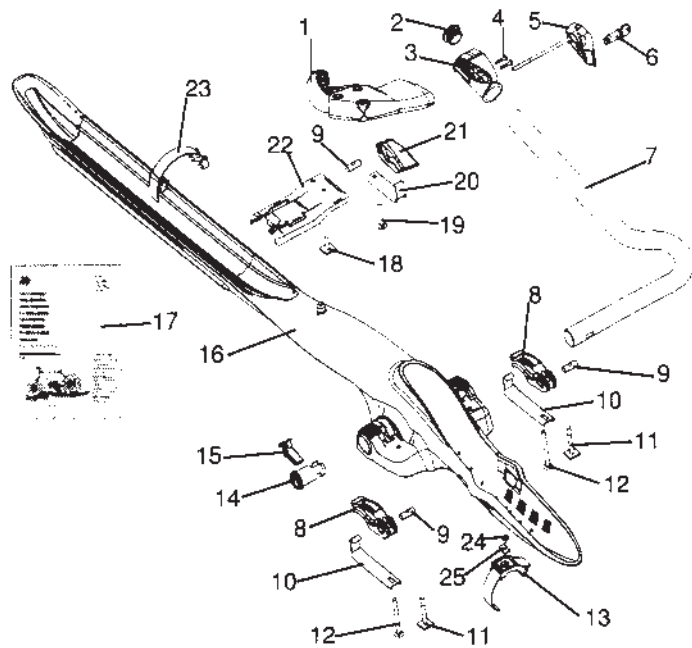
Part No.	Description	Application	Availability
<b>8E0 071 128</b>	Bicycle Holder Attachment for 1 Bicycle	allroad quattro /carrier bars <b>4B9 071 151 666</b>	01 ►

- △ Complete with mounting hardware & instructions
- △ For transport of Touring, Mountain and Racing Bikes in an upright position
- △ Built-in lock and rugged design prevents damage to valuable bicycles
- △ Up to three (3) bicycles can be mounted using a staggered formation
- △ Replacement lock cylinder #14: **3B0 071 734**

## Single components - Bicycle Holder 8E0 071 128

### Key

No.	Description	Qty.
1	.....Frame Holder .....	1
2	.....Cap .....	1
3	.....Tube Clamp .....	2
4	.....Screws (for plastic)...	1
5	.....Lever for Frame .....	1
6	.....Lock .....	1
7	.....Securing Tube .....	1
8	.....Front Lever .....	2
9	.....Pin .....	3
10	.....Securing Bracket, .....	2
11	.....T-Screw, long.....	2
12	.....Screw, long.....	1
13	.....Front Wheel Holder ..	1
14	.....Securing Sleeve .....	1
15	.....T-Locking Device.....	1
16	.....Wheel Mount.....	1
17	.....Fitting Instructions...	1
18	.....T-Screw, short .....	1
19	.....Screw, short .....	1
20	.....Securing Bracket, .....	1
21	.....Rear Lever.....	1
22	.....Rear Securing plate..	1
23	.....Rear Wheel holder....	1
24	.....Screw .....	1
25	.....Nut.....	1



# Bike Carrier System



Part No.	Description	Application	Availability
<b>SELL OUT ITEM</b>			
<b>1F0 071 128 UA</b>	Bicycle Holder Attachment for 1 Bicycle	allroad quattro /carrier bars <b>4B9 071 151 666</b>	01 ▶

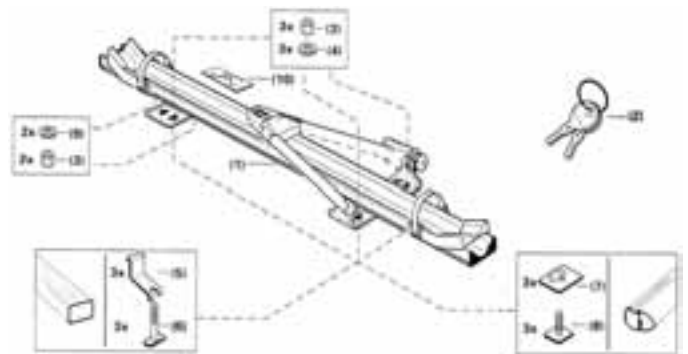
- Δ Complete with mounting hardware & instructions
- Δ For transport of Touring, Mountain and Racing Bikes in an upright position
- Δ Built-in lock and rugged design prevents damage to valuable bicycles
- Δ Up to three (3) bicycles can be mounted using a staggered formation

Installation time units: 50

## Single components - Bicycle Holder 1F0 071 128 UA

### Key

No.	Description	Qty.	Part No.	Qty./Item
2	Spare set of keys	2	1F0 071 267A	1
	T-Nut Hardware		1F0 071 737C	1
3	M6 Hex nut	3		
4	Washer	3		
7	Plastic washer	3		
8	M6x26 T-screw	3		
10	Rear Fitting Plate		1F0 071 737D	1
	Base Plate	1		
	Plastic Plate	1		
	Rubber Plate	1		
	Plastic Belt	1	1F0 071 740	1
	End Plate	1	1F0 071 745	1
	Wheel fixture	1	1F0 071 746	1
	Strap, complete	1	1F0 071 737E	1



# Bike Carrier System

Part No.	Description	Application	Availability
<b>7M0 071 128B</b>	Bicycle Holder Attachment Fork mount	allroad quattro /carrier bars <b>4B9 071 151 666</b>	01 ►

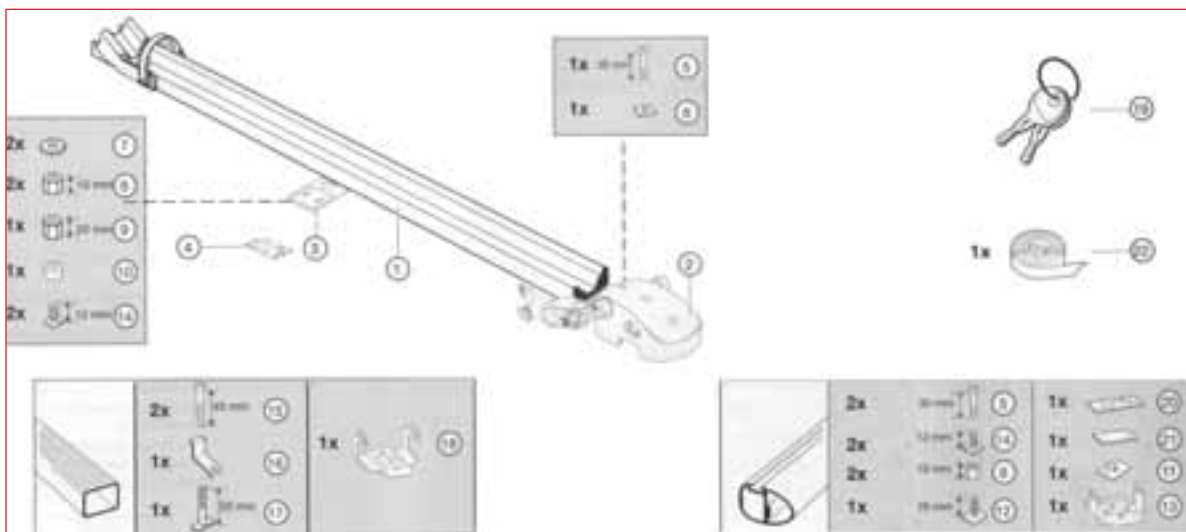
Δ Complete with mounting hardware & instructions

Installation time units: 25

## Single components - 7M0 071 128 B

### Key

No.	Description	Qty.	Part No.
.....	Screw set .....		<b>7M0 071 737</b>
8.....	.....	2 ea	
14.....	.....	2 ea	
5.....	.....	3	
6.....	.....	1	
.....	Loose bearing, ..... base plate .....	2 ea	<b>1F0 071 737 D</b>
.....	Tensioning strap.....	1	<b>1F0 071 740</b>
.....	End caps.....	2	<b>1F0 071 745</b>
.....	Wheel fixture.....	1	<b>1F0 071 746</b>
.....	Lock cylinder.....	1	<b>1F0 071 267 A</b>







**Audi**

# Bike Carrier System

Part No.	Description	Application	Availability
<b>4D0 071 128 UB</b>	Bike Lift Fork mount	allroad quattro /carrier bars <b>4B9 071 151 666</b>	01 ▶

**SELL OUT ITEM**

Any bike can be lifted onto the vehicle roof and secured in its final transportation position using a lifting tube and servo assistance (gas spring) without the need of minimal physical effort.

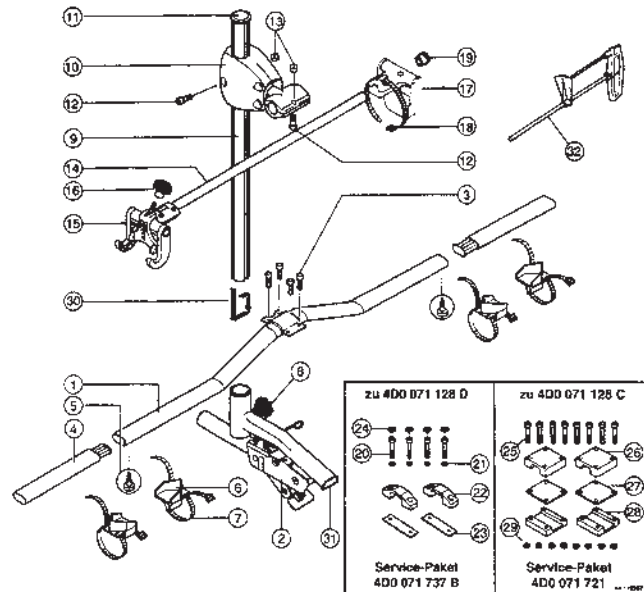
- Δ Complete with mounting hardware and instructions
- Δ Made of anodized powder coated aluminum, steel and plastic parts
- Δ Suitable for all bikes up to 44 pounds, wheel base up to 42.5" with standard seat;  
Not suitable for special wide seats and seats with additional springs.
- Δ Helps reduce risk of dropping or back strain
- Δ Lever mechanism can be removed as a complete unit when not in use
- Δ Maximum of two (2) bike lifts can be mounted onto base carrier bars
- Δ Attaches at the handle bar and seat for ideal transportation
- Δ Does not include "U" bolts for square bars

Installation time units: 50

## Single components - Bike Lift 4D0 071 128 UB

### Key

No.	Description
1	End cap
2	Control head
3	Hexagonal socket screw M6x16
4	Support mast
5	Handlebar support and support arm
6	Thumb screw
7	Hexagonal socket screw M6x45
8	Clamp
9	Rack carrier bridge and support mast support
10	Screw for carrier bridge end piece (2 pieces)
11	Rack carrier bridge end piece (2 pieces)
12	Wheel tray
13	Tightening strap, short (4 pieces)
14	Hexagonal nut M6 (2pieces)
15	Adapter
16	Distance plate (2 pieces)
17	Kinematic unit
18	T-screw M6
19	Screws for carrier bridge (4 pieces)
20	Tightening strap, long
21	Saddle holder
22	End cap
23	Hexagonal nut M6
24	Spring





# Sport and Luggage Box



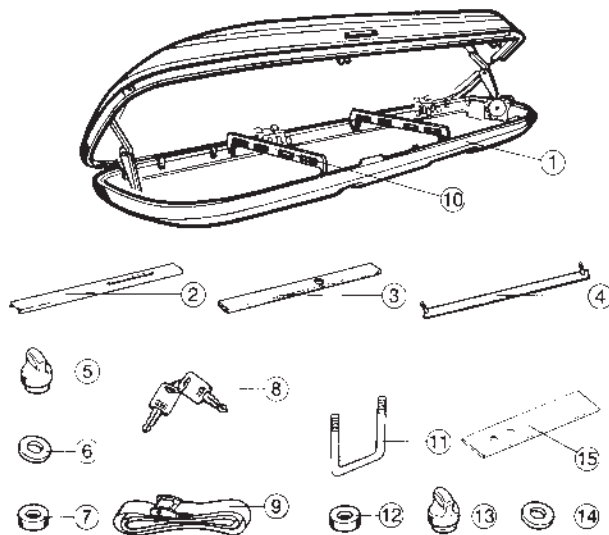
Part No.	Description	Application	Availability
000 071 174 A	Sport & Luggage Box	allroad quattro /carrier bars <b>4B9 071 151 666</b>	01 ► 05

Double-wall container made from UV-resistant, recyclable plastic, with additional ribs and stiffeners for increased crash safety. The box has been aerodynamically optimized in a wind tunnel to ensure low noise at speeds up to 130 kmh/85mph. Resistant to high pressure cleaning, dust and spray. A special ventilation system prevents the formation of condensation. Designed to open right or left with one hand with the aid of its spring-assisted lever mechanism. The opening system offers appealing benefits, particularly in a narrow parking space. Storage capacity (285 litres) for four (4) to six (6) pairs of skis with poles.

Color: bottom is dust gray and top is light gray.

Installation time units: 25

Key No.	Description	Qty.
1	Roof Box .....	1
2	Shaped Rail .....	2
3	Rubber Seal .....	2
4	Keyway .....	2
5	M6 Tommy Nut .....	4
6	Scheibe A6.....	4
7	Seal.....	2
8	Wrench.....	2
9	Tensioning Strap.....	2
10	Base.....	2
11	U-Bolt .....	4
12	Gasket Ring .....	2
13	Butterfly Nut.....	4
14	A6 Washer .....	4
15	Rubber Seal.....	2



# Surfboard, Kayak Holders



Part No.	Description	Application	Availability
<b>445 071 127</b>	Surfboard Holder Attachment Fork mount	allroad quattro /carrier bars <b>4B9 071 151 666</b>	01 ► 05

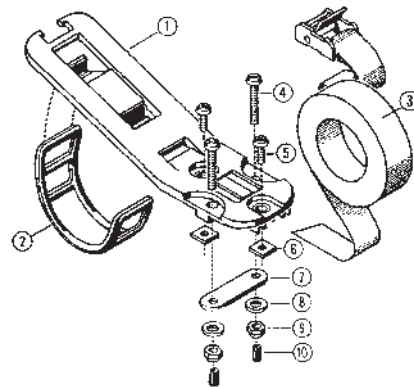
4 plastic holders which adapt to the shape of the surfboard. For transporting of 1 or 2 surfboards with masts.

Installation time units: 25

### Single components - Surfboard Holder attachment 445 071 127

#### Key

No.	Description	Part No.
2	Tensioning Rubber	<b>445 071 737B</b>
4	Hardware Kit	<b>445 071 737C</b>
3		
6		
7		
8		
9		
10		
7	Mounting Plate	



# Luggage Basket



Part No.	Description	Application	Availability
<b>191 071 130 F</b>	Luggage Basket Fork mount	allroad quattro /carrier bars <b>4B9 071 151 666</b>	01 ► 05

Δ Complete with mounting hardware 40" x 30"

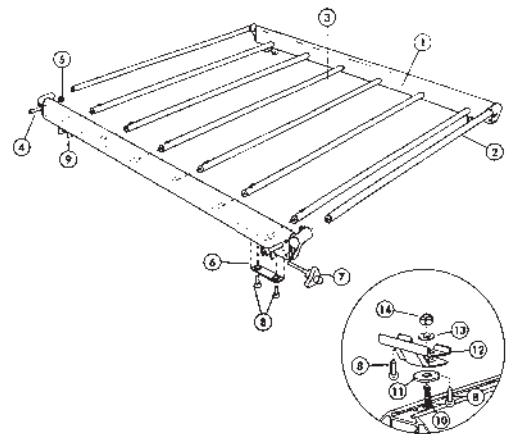
Δ Bars and side rails are made of black plastic coated galvanized steel

Δ Front and rear bars are adjustable: in the up-position unit forms a luggage basket, the down position converts it to a loading platform with side supports.

Installation time units: 25

## Single components - Luggage Basket 191 071 130 F

Key No.	Description	Qty.	
1	Side Section	2	
2	Retaining bar	1	<b>191 071 736 B</b>
3	Supporting bar	1	<b>191 071 736 E</b>
7	Capstan head screw	4	<b>191 071 739</b>
	Mounting Kit		<b>191 071 736 D</b>
4	Self tapping screws	12	
5	Plastic washer	12	
6	Hex head bolt	8	
10	Threaded shackle	4	
11	Hex head nut	4	
12	T-shaped keyway insert	4	
13	Shackle	4	
14	U-shaped shackle	4	
	Set of Screw Connectors		<b>191 071 743 C</b>
6	Hex head bolt	8	
9	Hex head nut	4	
8	Slotted bolt	4	



# Soft Side Luggage Carrier



Part No.	Description	Application	Availability
<b>ZVW 193 800</b>	Soft Side Luggage Carrier Fork mount	/carrier bars <b>4B9 071 151 666</b>	allroad quattro 01 ► 05

- △ Embossed polyester
- △ Sealed seams
- △ Zipper lined with hook and loop material
- △ Three main belts which support six quick release tie down straps

Length: 939.80mm/37"  
 Width: 762.00mm/30"  
 Depth: 304.80mm/12"

# Snowboard/Ski Attachment



Part No.	Description	Application	Availability
<b>3B0 071 129 UA</b>	Snowboard/Ski Attachment Fork mount	allroad quattro /carrier bars <b>4B9 071 151 666</b>	01 ▶ 05

- Δ Lockable
- Δ Complete with mounting hardware
- Δ Perfect blend of styling, quality and rugged design
- Δ Installs quickly on base carrier and features an oversized push button locking hood that allows for easy opening and closing with gloves on
- Δ Wide semi-rigid rubber profile design provides a snug secure fit for snowboard or skis

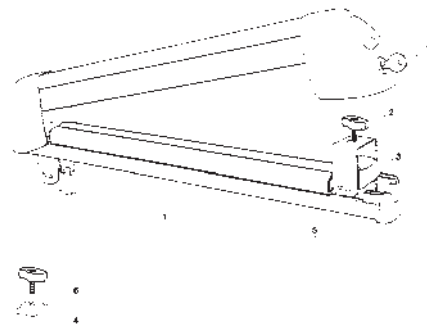
Installation time units: 25

## Single Components - Snowboard/Ski attachment 3B0 071 129 UA

### Key

No.	Description	Qty.
1	Ski/snowboard carrier .....	2
2	Wing bolt, M6x35 .....	4
3	Spacer block .....	4
4	Keyway, M6 .....	4
5	Retaining clip.....	4
6	Wing knob, M6x20 .....	2
7	Key .....	2

**Attachment Kit  
3B0 071 737 A**



## Grille Strips; Chrome Emblems



Part No.	Description	Application	Availability
<b>ZAW 312 004</b>	Highly Polished Grille Strips Stainless Steel	allroad quattro	01 ▶ 03

△ Polished stainless steel strips attach to the grille with OEM grade adhesive strips for durability.

---

<b>4Z7 853 735A 2ZZ</b> <b>4B0 853 741A 2ZZ</b>	Chrome Emblems inscription: "allroad" inscription: "6"	allroad quattro	01 ▶
--	--	-----------------	------

# Spoiler



Part No.	Description	Application	Availability
<b>4B9 071 640 DS ***</b>	Roof Spoiler Kit complete with mounting hardware and instructions	allroad quattro	01 ► 04

## DEALER DROP SHIP PROGRAM

- △ Spoiler which merges form, fit and function fits over the top the the rear hatch
- △ Made of impact-resistant HR integral skin polyurethane foam
- △ Painted to body color

\*\*\* = Color Code

**Y9B** Brilliant Black, **Y7Q** Atlas Gray, **Y6J** Highland Green, **Y7W** Light Silver, **Y1W** Alpaca Beige

Installation time units: 100

## Splash Guards



Part No.	Description	Application	Availability
	Splash guards, Set of 2 complete with mounting hardware and installation instructions		
<b>4Z7 075 111</b>	Front	allroad quattro	01 ► 05
<b>4Z7 075 101</b>	Rear		

Δ Full width to insure body protection behind wheels from stone chipping, sandblasting, road-tar and unsightly splashing effects.

Δ Made of long-life, crack resistant rubber.



# Car Cover



Part No.	Description	Application	Availability
	Car Cover – Stormshield™		
<b>ZAW 400 107</b>	allroad Logo	allroad quattro	01 ► 05

- △ Color tan
- △ Urethane-acrylic coated polyester knit fabric
- △ Complete with storage bag
- △ High degree of moisture repellence and breathability
- △ Long life ultraviolet (UV) resistance
- △ Resistance to dust, acid rain, tree sap and other airborne particulate matter
- △ Light weight for easy installation and removal
- △ Custom mirror pockets
- △ Plastipane rear license plate window
- △ Double stitch seams for strength and long life
- △ Elasticized hems for fit and stability and tie-down grommets
- △ Assembled in Mexico from American made parts

---

<b>ZAW 400 110</b>	Cable and Lock set	All
--------------------	--------------------	-----

The nonscratching plastic coated cable slides through the special sewn-in grommets, and the lock keeps the cover secured to the vehicle. Works with all Audi covers.





## Hood and Mirror Cover Set



Part No.	Description	Application	Availability
<b>ZAW 193 017 A</b>	Hood and Mirror Cover Set 3 piece set complete allroad Logo-	allroad quattro	01 ► 05

- △ Mirror covers have embossed logos
- △ Hood cover features chrome allroad logo
- △ Designed for the protection of those finished front end surfaces most susceptible to damage from flying road debris.
- △ For user convenience, engine compartment opens without detachment of cover
- △ Constructed for fitting to the vehicle with coated hooks and elastics especially suitable for DIY installation, without drilling.

Made from premium grade materials to ensure optimum useful service life:

- △ High gloss vinyl of 14 oz./sq. yd. weight, UV and mildew resistant, with backing of 8 oz./sq. yd. polyester foss
- △ High tensile strength polyester binding used on all seams and edges
- △ All fasteners (tabs, hooks, elastics) enveloped and surface protected with non-corrosive covered/sheathing

***SELL OUT ITEM***

**IMPORTANT! FRONT END COVERS LOSE THEIR EFFECTIVENESS ABOVE POSTED HIGHWAY SPEEDS.**

**Attention: always read installation, operation and care instructions prior to use. Improper use, installation or care can result in paint damage and reduced life expectancy of the cover**



# Air Deflectors; Wrench; Valve Caps



Part No.	Description	Application	Availability
<b>4B0 072 192</b>	Air Deflector – Sunroof	allroad quattro	01 ► 05

- △ Kit complete with mounting hardware
- △ One-piece molded tinted acrylic plexiglas
- △ Rubber mounting gasket pre-installed
- △ One bracket per side clamps into sunroof opening—installation without drilling
- △ Deflects rain and wind
- △ Allows draft-free ventilation

Installation time units: 20

<b>ZAW 173 003</b>	Wheel Bolt Wrench dual socket, 17 and 19 mm	All late model Audi vehicles with 17 or 19mm hex bolts.
--------------------	--	--

- △ Storage Pouch with logo
- △ 19" chromed tire iron adds increased leverage to loosen and tighten wheel nuts
- △ Rubber grip
- △ Two sockets included



	Valve Stem Cap Set of 5	All
<b>ZAW 355 000 SP</b>	Audi Sport	
<b>ZAW 355 000 A</b>	Audi Logo	
<b>ZAW 355 000 SR</b>	Audi Sport Red	

Quality chrome-plated solid brass construction for durability. Each valve stem cap has an o-ring seal built in, to help ensure valve stem pressure integrity. Five valve stem caps per package—one for each wheel including the spare.





# Wheel Bolts

Part No.	Description	Application	Availability
<b>8D0 698 137 B SBV</b>		allroad quattro	01 ► 05

Δ Max. torque for all alloy wheels is 80 ft./lbs. - Threads dry.  
 Δ Impact tools are not recommended.



Spare Locking Wheel Bolts  
 M14 x 1,5 x 27,5

All late model  
 Audi vehicles

<b>8D0 601 139E 051</b>	<b>8D0 601 139E 058</b>	<b>8D0 601 139F 003</b>
<b>8D0 601 139E 052</b>	<b>8D0 601 139E 059</b>	<b>8D0 601 139F 004</b>
<b>8D0 601 139E 053</b>	<b>8D0 601 139E 060</b>	<b>8D0 601 139F 005</b>
<b>8D0 601 139E 054</b>	<b>8D0 601 139E 061</b>	<b>8D0 601 139F 006</b>
<b>8D0 601 139E 055</b>	<b>8D0 601 139E 062</b>	<b>8D0 601 139F 007</b>
<b>8D0 601 139E 056</b>	<b>8D0 601 139F 000</b>	<b>8D0 601 139F 008</b>
<b>8D0 601 139E 057</b>	<b>8D0 601 139F 001</b>	<b>8D0 601 139F 009</b>




Δ Last three (3) digits represent the code number  
 Δ Security code number is stamped on the bottom

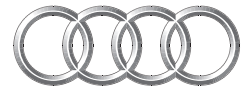
<b>Wheel Bolt Caps</b>		
<b>8D0 601 137B 01C</b>	Lockable Wheel cap, black	<b>8D0 601 139E</b>
<b>8D0 601 173D Z37</b>	, gray	<b>8D0 601 139 F</b>
<b>321 601 173A Z37</b>	for regular wheel bolts	



**Audi**

# Alloy Wheels

Part No.	Description	Application	Availability	Size
<b>4Z7 601 025 1H7</b>	7.5Jx17 R025 5 spoke light alloy wheel 2 piece "Bi-Spoke" Brilliant/silver metallic Uses standard wheel bolts Rubber valve stem	allroad quattro	01 ► 05	225/55 R17
				
<b>Not supplied with wheel</b>				
<b>4Z7 601 165A Z17</b>	Center Cap – Audi Rings	<b>4Z7 601 025C Z17</b>		<b>CF6</b>
<b>8D0 601 025 T 1H7</b>	8Jx18 R025 9 spoke light alloy wheel Brilliant/silver metallic Uses standard wheel bolts Rubber valve stem	allroad quattro	01 ►	245/45 R18
				
<b>Not supplied with wheel</b>				
<b>8D0 601 165K 1H7</b>	Center Cap – Audi Rings	<b>8D0 601 025T 1H7</b>		<b>RS4</b>
<b>4Z7 601 025 C Z17</b>	7.5Jx17 R025 5 spoke light alloy wheel	allroad quattro	01 ►	225/55 R17
				
<b>Not supplied with wheel</b>				
<b>4Z7 601 165 7ZJ</b>	Center Cap – Audi Rings	<b>4Z7 601 025 1H7</b>		<b>CD4</b>



**Audi**

# Alloy Wheels

Part No.	Description	Application	Availability	Size
<b>4Z7 601 025 B Z17</b>	Winter Alloy Wheel 6.5Jx16 RO16	allroad quattro	01 ▶ 05	



**Component not supplied with wheel**  
**4Z7 601 165A 7ZJ** Center Cap

**4Z7 601 025 B Z17**

<b>4Z7 601 025 E 1H7</b>	7.5x18 5 spoke light alloy wheel silver metallic Uses standard wheel bolts and valve stem	allroad quattro	01 ▶	245/45 R18
--------------------------	---	-----------------	------	------------



**Component not supplied with wheel**  
**4B0 601 170 725** Center Cap

**4Z7 601 025 E 1H7**

**CL3**

# Trailer Hitch



Part No.	Description	Application	Availability
<b>ZAW 808 008 A</b>	Trailer Hitch	allroad quattro	01
<b>ZAW 808 008 B</b>			02 ▶ 05

Installation time units: 280 **ZAW 808 008 A**  
 240 **ZAW 808 008 B**

### Single Components

<b>ZAW 808 002</b>	Jaeger main harness
<b>ZAW 808 003</b>	Hopkins hitch adapter harness
<b>ZAW 808 004</b>	ball mount kit
<b>ZAW 808 005</b>	stainless steel ball; set of 2
<b>ZAW 808 006</b>	R/L nut plates

- △ Maximum towing: 1650 lbs./750 kg (unbraked trailer)
- △ Maximum towing: 3300 lbs. (braked trailer)—330 lbs. tongue weight
- △ Custom designed for allroad
- △ Hitch is fully integrated
- △ Does not sacrifice clearance or departure angle
- △ Hidden from view when not in use
- △ Trailer ball mount finish is chrome
- △ 2 sizes of stainless steel towing balls
- △ Supports towing chains (1<sup>7</sup>/<sub>8</sub>" & 2")

***Supports 4-pin connectors only***

***Do not store ball mount or hitch in or on your vehicle when not in use.***