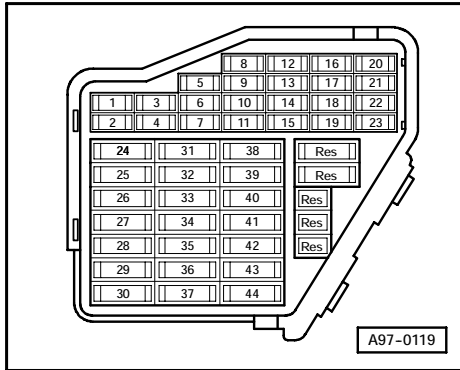


Airbag

2000 m. y.

Fuse Panel

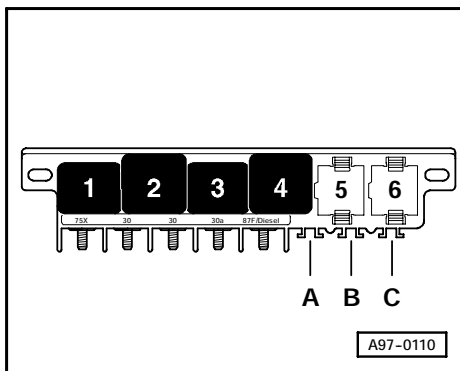


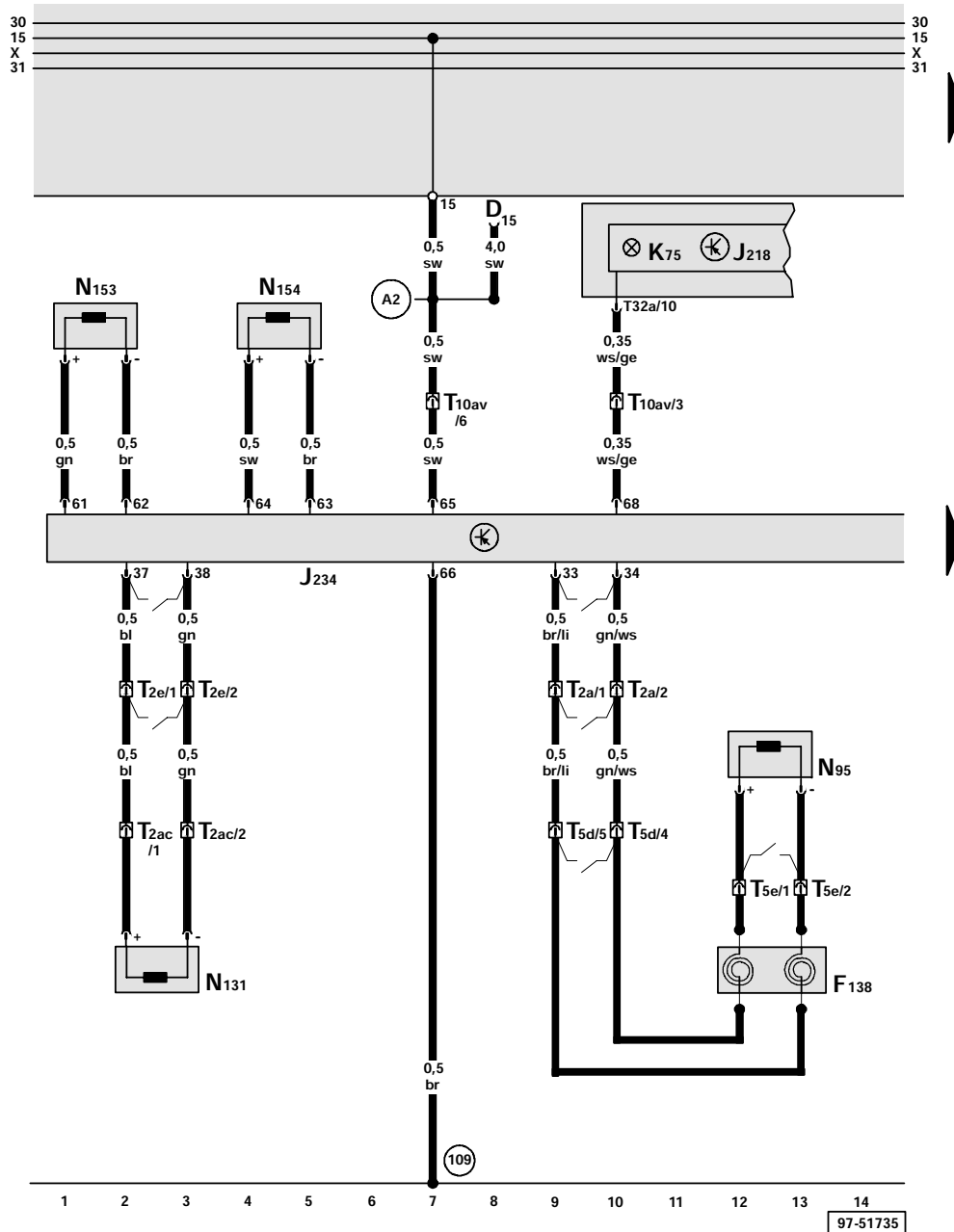
Fuse Colors:

- 30 A - Green
- 25 A - White
- 20 A - Yellow
- 15 A - Blue
- 10 A - Red
- 7.5 A - Brown
- 5 A - Beige

Starting with fuse position 23, fuses in the fuse holder are identified with 223 in the wiring diagram.

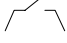
Micro Central Electric Panel

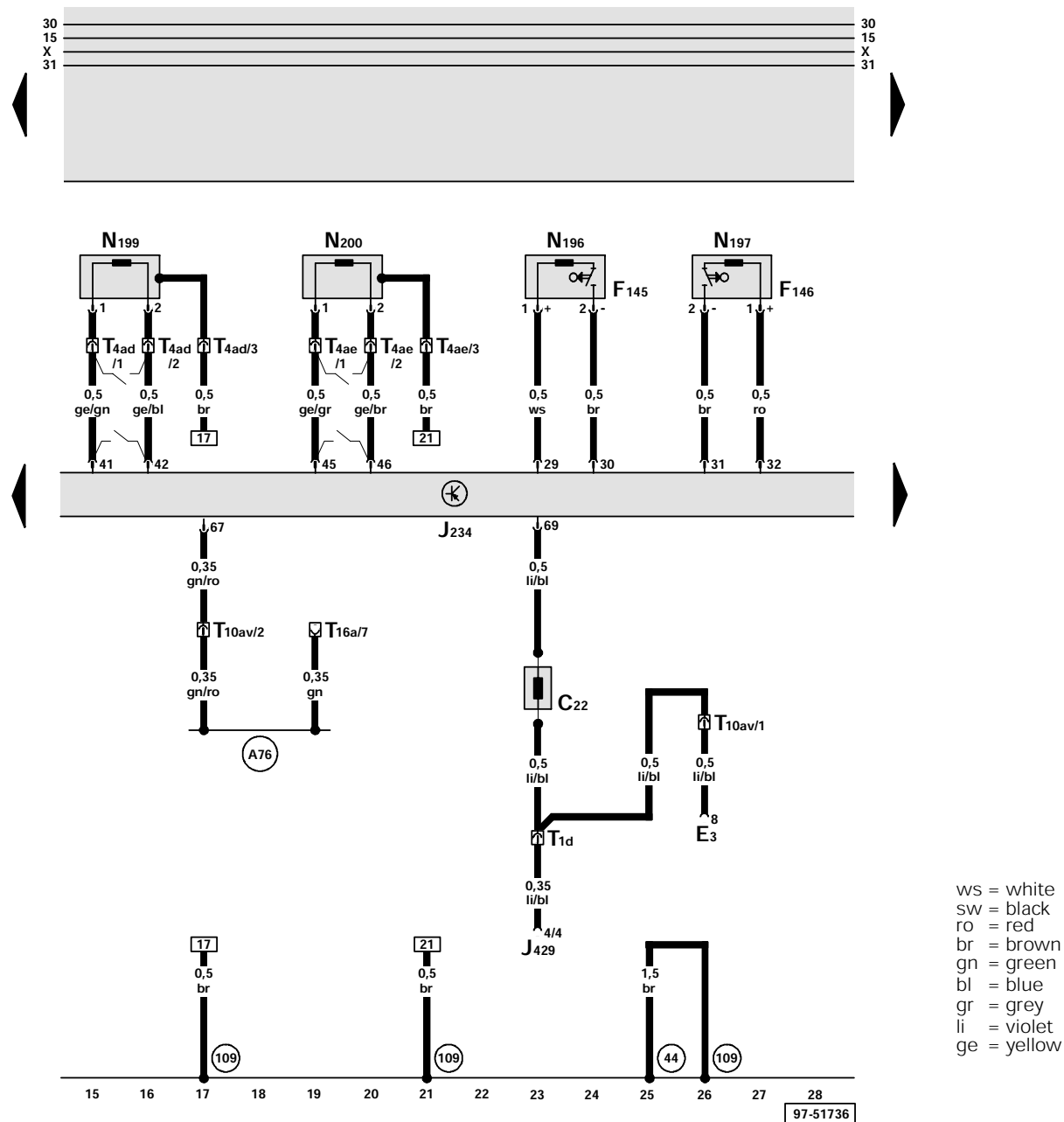




ws = white
 sw = black
 ro = red
 br = brown
 gn = green
 bl = blue
 gr = grey
 li = violet
 ge = yellow

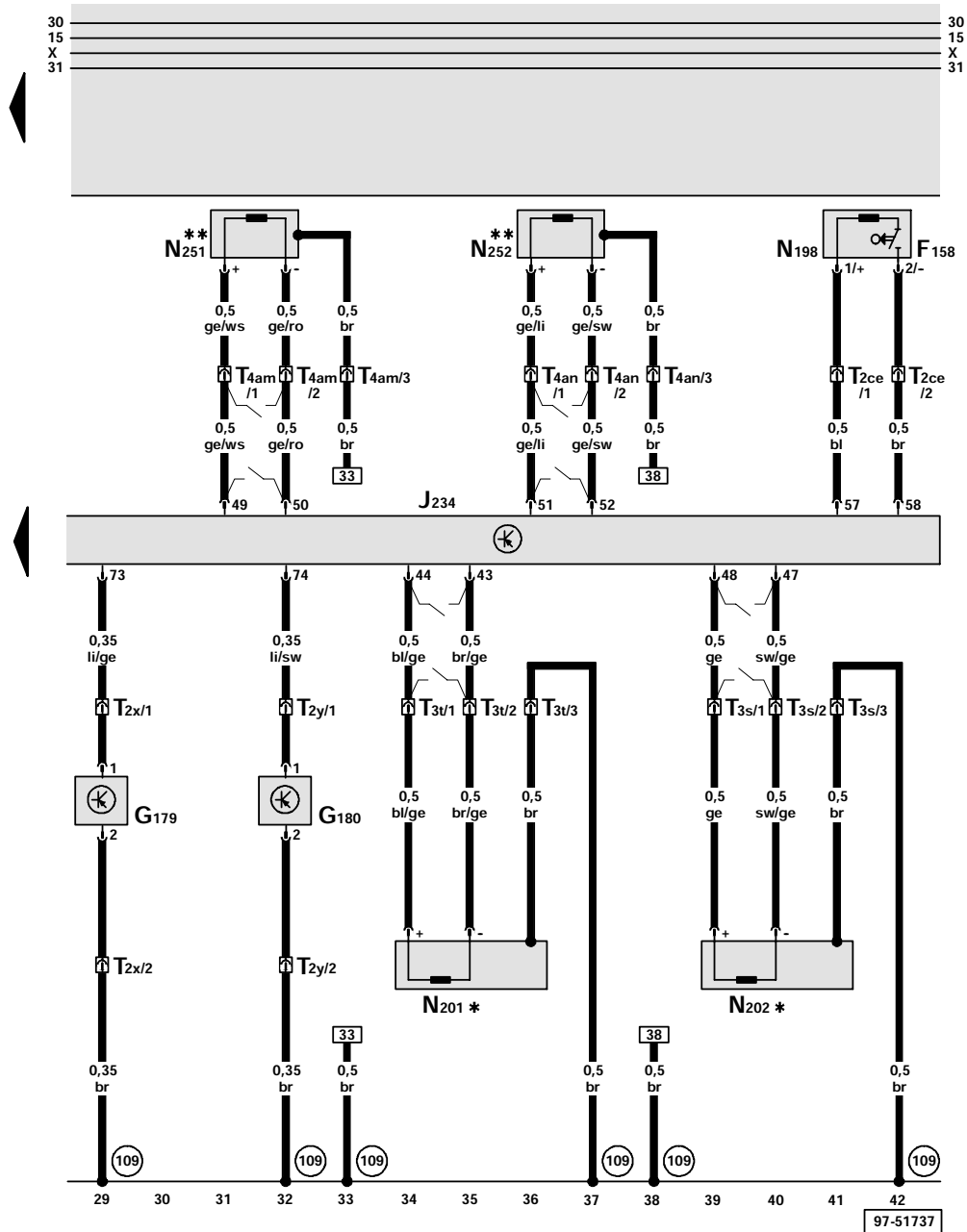
- D - Ignition/Starter Switch
- F138 - Airbag Spiral Spring/Return Spring With Slip Ring
- J218 - Instrument Cluster Combination Processor
- J234 - Airbag Control Module
- K75 - Airbag Malfunction Indicator Lamp (MIL)
- N95 - Driver's Side Airbag Igniter
- N131 - Passenger's Side Airbag Igniter 1
- N153 - Left Seat Belt Tensioner Igniter
- N154 - Right Seat Belt Tensioner Igniter
- T2a - Connector 2 pin, yellow, connector station A pillar, left
- T2e - Connector 2 pin, yellow, connector station A pillar, right
- T2ac - Connector 2 pin, yellow, behind instrument panel, right
- T5d - Connector 5 pin, behind steering column switch cover
- T5e - Connector 5 pin, in steering wheel
- T10av - Connector 10 pin, yellow, connector station A pillar, right
- T32a - Connector 32 pin, green, on instrument cluster

- 109 - Ground connection, in airbag wiring harness
- A2 - Plus connection (15), in instrument panel wiring harness
-  - Bridge closes when disconnecting connector (safety feature)



- C22 - Interference filter
- E3 - Emergency Flasher Switch
- F145 - Left Rear B-pillar Microswitch
- F146 - Right Rear B-pillar Microswitch
- J234 - Airbag Control Module
- J429 - Control module for central locking
- N196 - Igniter for belt tensioner rear, driver's side
- N197 - Igniter for belt tensioner rear, passenger's side
- N199 - Igniter for side airbag, driver's side
- N200 - Igniter for side airbag, passenger's side
- T1d - Single connector, brown, connector station A pillar right
- T4ad - Connector 4 pin, yellow, below driver's seat
- T4ae - Connector 4 pin, yellow, below passenger's seat
- T10av - Connector 10 pin, yellow, connector station A pillar, right
- T16a - Connector 16 pin, Data Link Connector (DLC)

- (44) - Ground connection, on left A-pillar, lower part
- (109) - Ground connection, in airbag wiring harness
- (A76) - Connector (K-diagnosis wire), in instrument panel wiring harness
- Bridge closes when disconnecting connector (safety feature)



- F158 - Seat Belt Tensioner Switch (1)
- G179 - Crash sensor for side airbag, driver's side
- G180 - Crash sensor for side airbag, passenger's side
- J234 - Airbag Control Module
- N198 - Igniter for belt tensioner, rear, center
- N201 - Igniter for side airbag rear, driver's side
- N202 - Igniter for side airbag rear, passenger's side
- N251 - Igniter for head airbag, driver side
- N252 - Igniter for head airbag, passenger side
- T2x - Connector 2 pin, yellow, below driver's seat
- T2y - Connector 2 pin, yellow, below passenger's seat
- T2ce - Connector 2 pin, yellow, in rear seat
- T4am - Connector 4 pin, yellow, on C pillar, left
- T4an - Connector 4 pin, yellow, on C pillar, right
- T3s - Connector 3 pin, orange, in rear seat
- T3t - Connector 3 pin, orange, in rear seat

- (109) - Ground connection, in airbag wiring harness
- Bridge closes when disconnecting connector (safety feature)
- * - Vehicles with sideairbag rear
- ** - Vehicles with headairbag