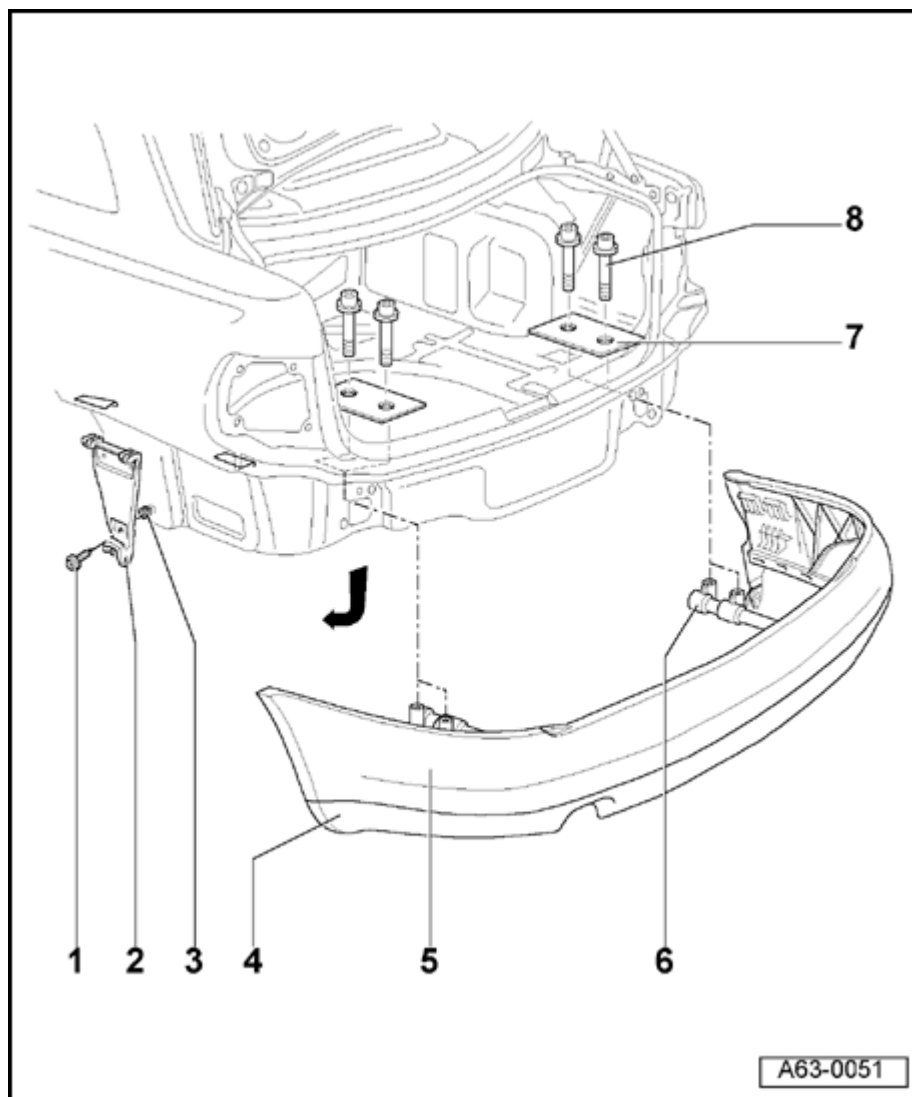


63-11



Rear bumper (Sedan)

Rear bumper, removing and installing (▶ VIN 8D XA 200 000)

1 - Metal bolt

2 - Bracket

- To remove, remove metal bolts -1- and take off bracket.

3 - Clip

4 - Spoiler

◆ Removing and installing ⇒ [page 63-10](#)

5 - Bumper

- To remove, unscrew combination bolts - 8-.

- Unclip bumper from bracket -2- in direction of arrow and pull off towards rear.

6 - Impact absorber

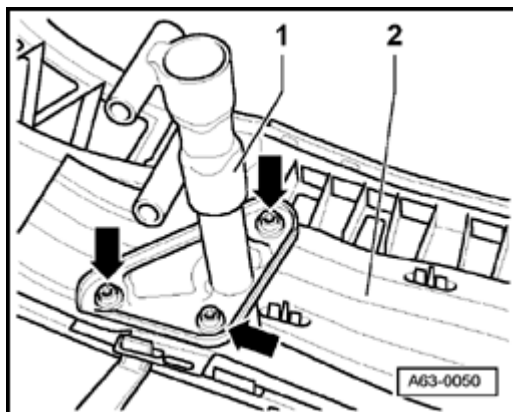
◆ Removing from bumper ⇒ [Fig. 1](#)

7 - Strengthening plate

8 - Combination bolt

◆ 23 Nm (17 ft lb)

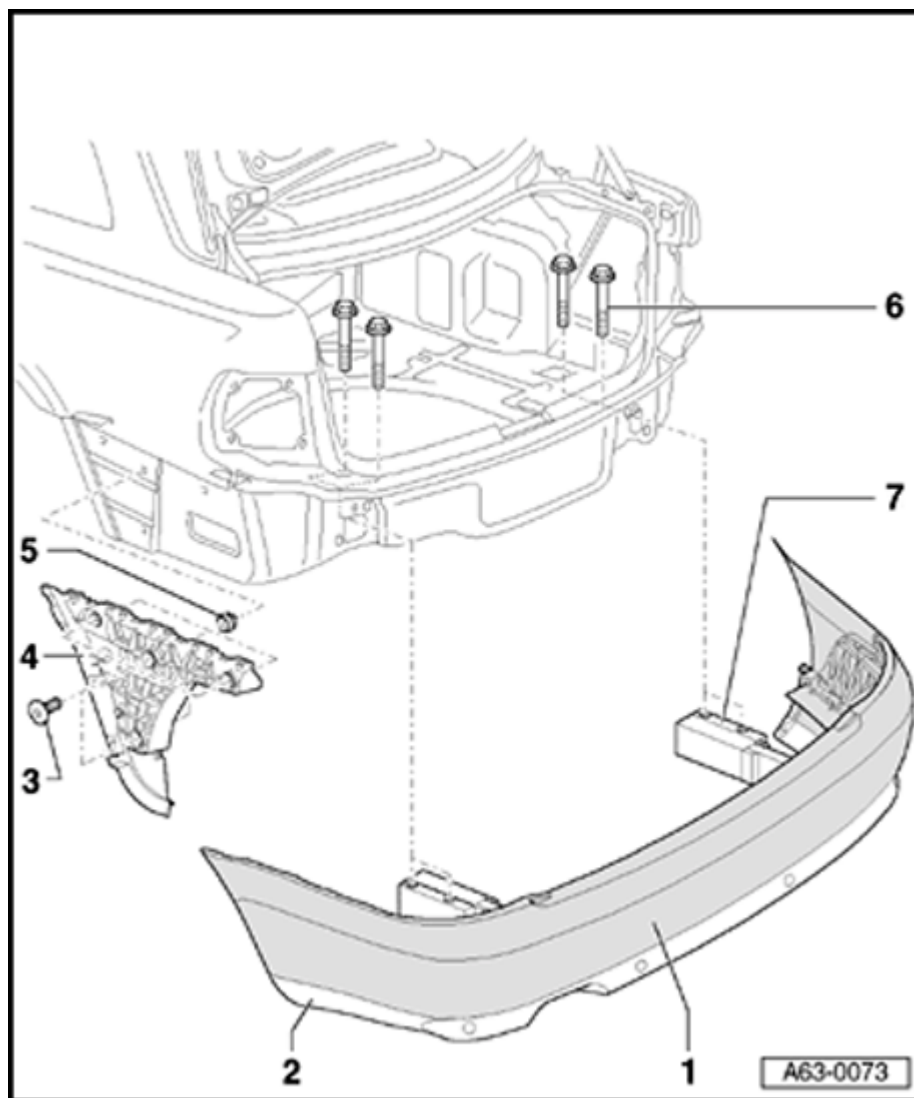
63-12



A

Fig. 1 Removing impact absorber from bumper

- Remove bolts (arrows) and take impact absorber -1- out of bumper -2-.
- When installing, tighten to 23 Nm (17 ft lb).



Rear bumper, removing and installing (VIN 8D XA 200 001 ➤)

1 - Bumper

- ◆ To remove, remove combination bolts -6-.
- ◆ For S4 models, an additional bolt must be installed at the wheelhousing liner ⇒ [Fig. 1](#).
- ◆ Unclip bumper from bracket -4- and remove toward rear.

2 - Spoiler

- ◆ Removing and installing ⇒ [page 63-10](#).

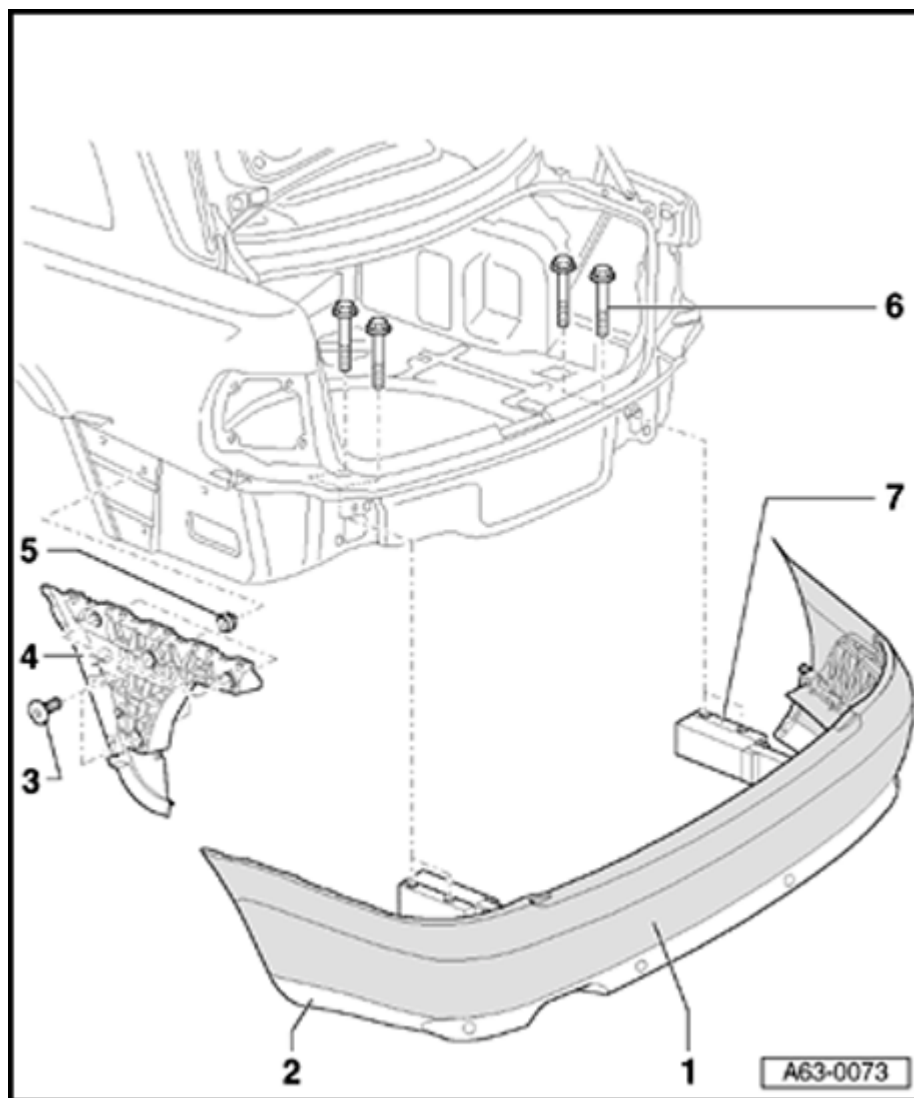
3 - Metal bolt

- ◆ 1.5 Nm.

4 - Bracket for rear bumper

- ◆ The bracket has two parts. The front half can be shifted to adjust the length.

63-14

**5 - Clip**

- ◆ To install, press into fender.

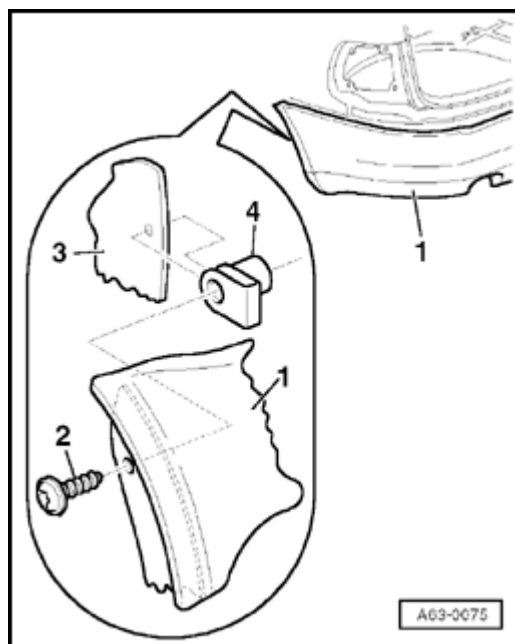
6 - Combination bolt

- ◆ 23 Nm

7 - Impact absorber

- ◆ Removing from bumper ⇒ [Fig. 2](#) .

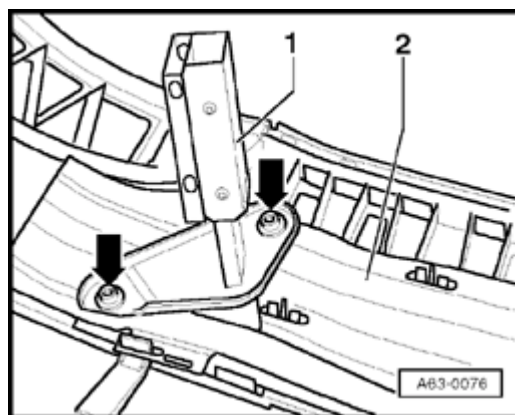
63-15



A

Fig. 1 Additional mount for S4

- Remove bolt -2- from wheelhousing liner before disassembling bumper -1-.
- Clip -4- is clipped onto wheelhousing liner -3-.



A

Fig. 2 Removing impact absorber from bumper

- Remove bolts (arrows) and take impact absorber -1- out of bumper -2-.
- When installing, tighten to 23 Nm.