

Front bumper

Front bumper, removing, installing and assembly overview (➤ VIN 8D XA 200 000)

1 - Combination bolt

- ◆ 23 Nm (17 ft lb)

2 - Hex bolt

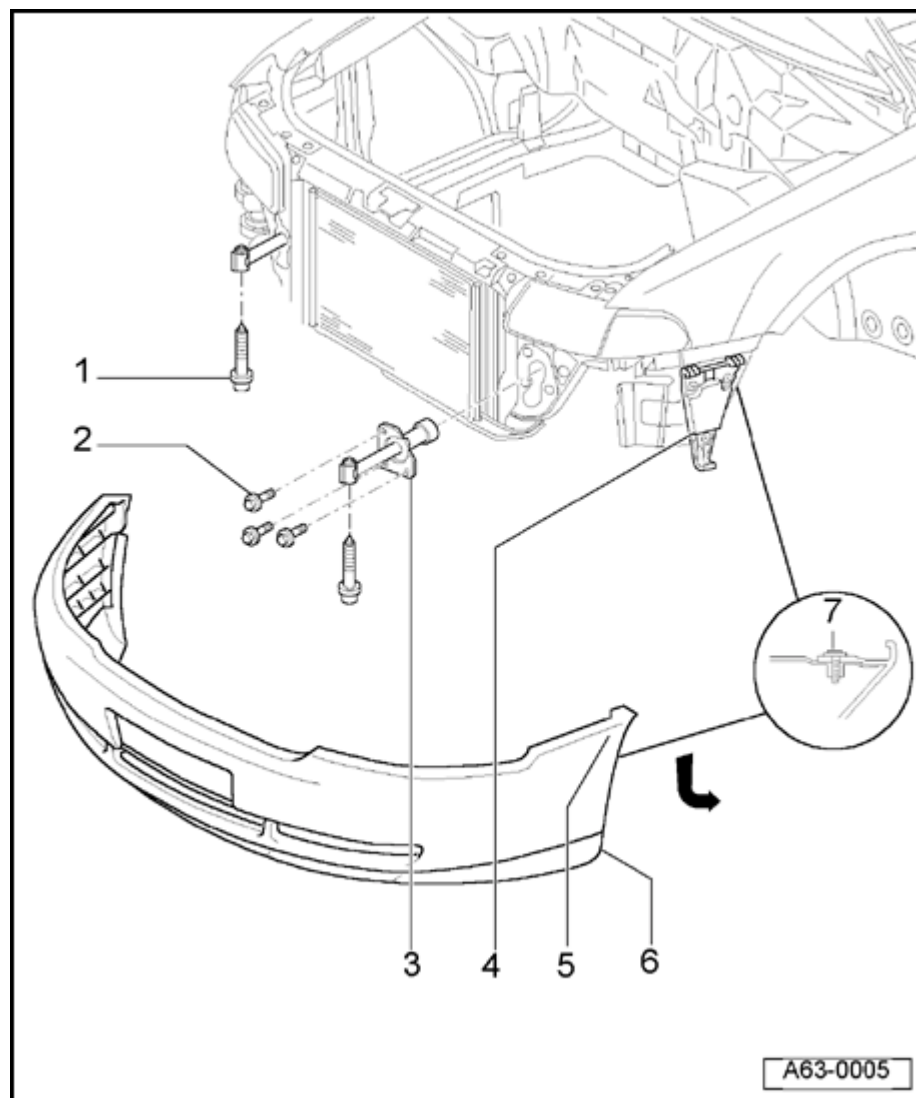
- ◆ 45 Nm (33 ft lb)
- ◆ Impact absorber is secured on right longmember with 4 hex bolts

3 - Impact absorber

- To remove, remove hex bolts and pull impact absorber out front.

4 - Bracket

- ◆ Removing and installing ⇒ [Fig. 2](#)



5 - Bumper

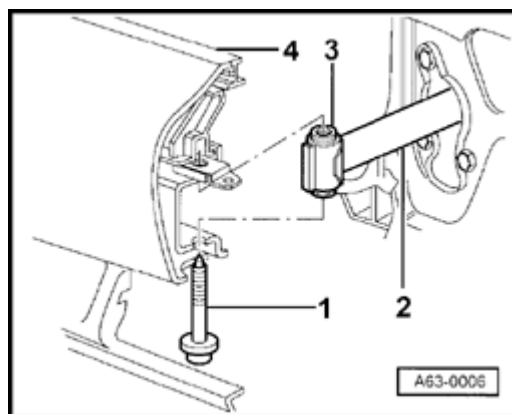
- To remove, remove Torx[®] screws at wheel housing liner.
- Remove air inlet grill at bumper.
- Remove combination bolts -1-.
- When installing, tighten to 23 Nm (17 ft lb).
- Unclip bumper from bracket -4- in direction of arrow and pull off towards front.

6 - Spoiler

- ◆ Removing and installing ⇒ [page 63-10](#)

7 - Torx[®] screw

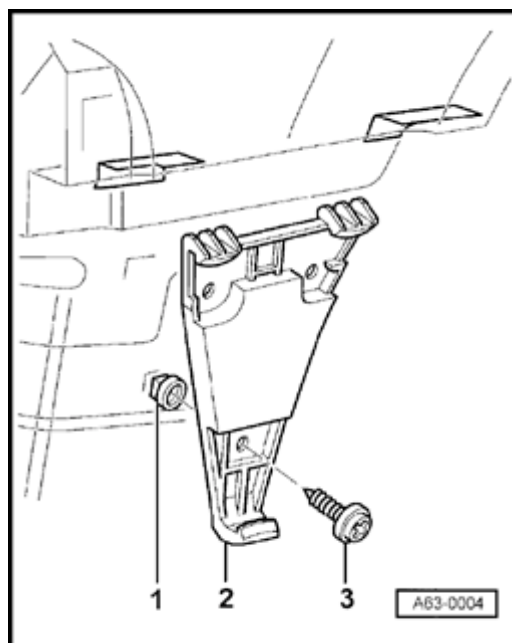
- ◆ 1 Nm (9 in. lb)



A

Fig. 1 Bumper height adjustment

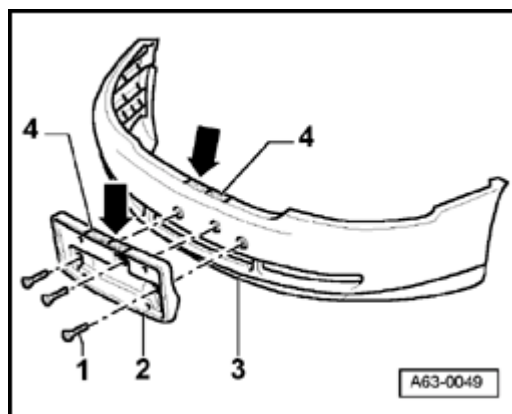
- Bumper -4- height is adjusted by shifting threaded sleeve -3- in impact absorber -2-.
- Tighten combination bolt -1- to 23 Nm (17 ft lb).



A

Fig. 2 Bumper bracket

- To remove, remove bolts -3- and take off bracket -2-.
- To assemble, press in clip -1-.

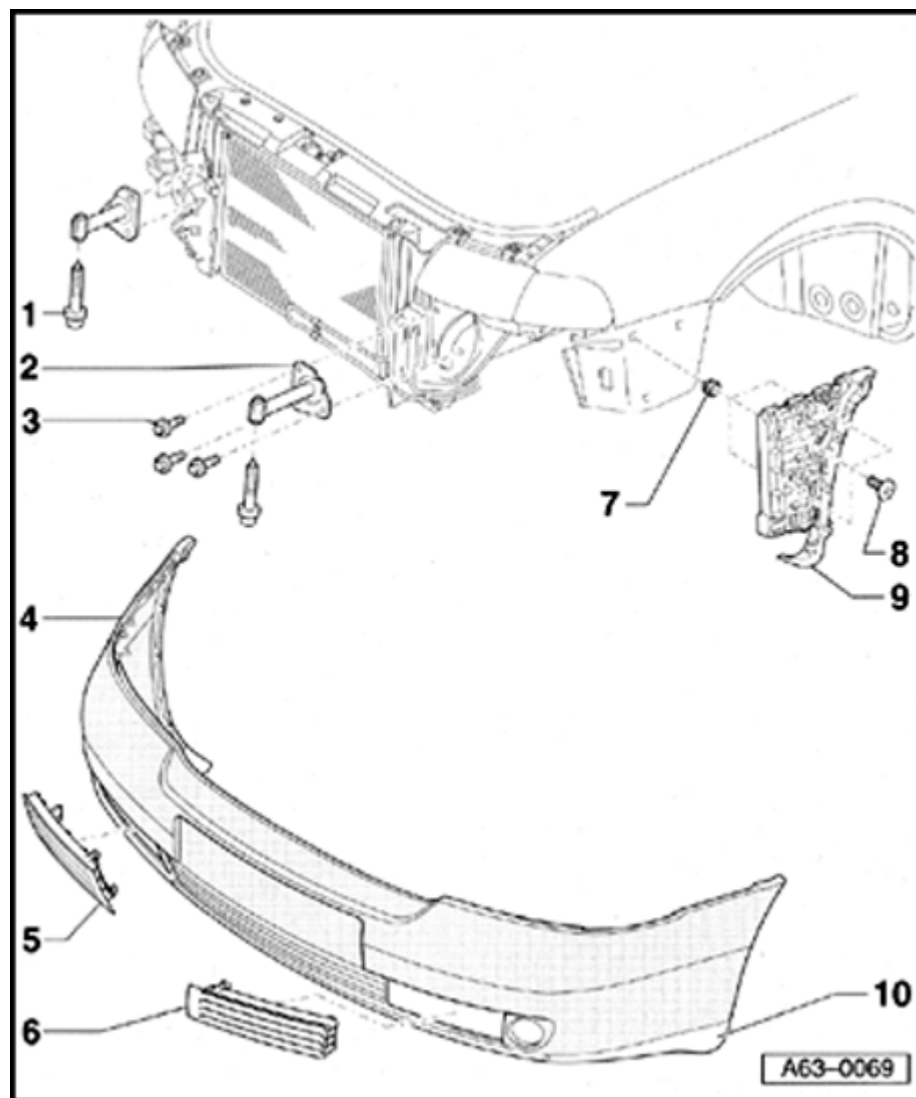


A Fig. 3 Installing license plate holder

Note:

Use license plate holder as a drill hole template.

- Open hood.
- Cover area in center of bumper and license plate holder with adhesive tape -4- as shown.
- Mark middle of bumper -3- and license plate holder -2- (arrows) on adhesive tape using fine felt tip pen.
- Slide license plate holder in one continuous motion from bottom to top of bumper in centered position.
- Mark holes on bumper.
- Using drill (8 mm - 10 mm), drill holes centered around marks through bumper cover.
- Secure license plate holder -2- on bumper -3- using bolts -1-.



Front bumper, removing and installing (VIN 8D XA 200 001 ➤)

1 - Bolt w/washer assembly

- ◆ 23 Nm

2 - Impact absorber

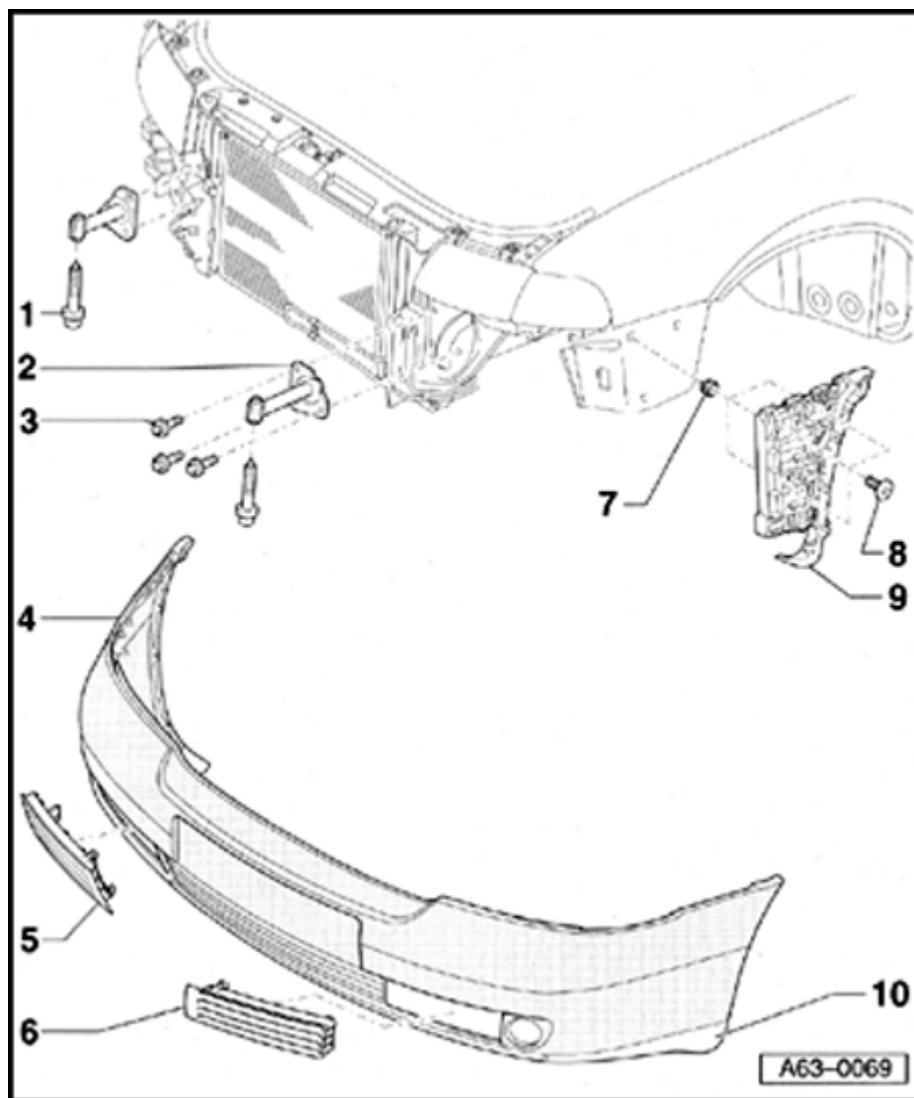
- ◆ To remove, remove hex bolts and pull impact absorber out front.

3 - Hex bolt.

- ◆ 45 Nm
- ◆ Impact absorber is secured on right longmember with 4 hex bolts.

4 - Bumper

- ◆ To remove, remove Torx screws at wheel housing liner.
- ◆ Remove air inlet grill at bumper.
- ◆ Remove bolt w/washer assembly -1-.
- ◆ When installing, tighten to 23 Nm.
- ◆ Unclip bumper from bracket -9- and remove toward front.



5 - Air inlet grill, right

- ◆ Removing and installing ⇒ [page 63-7](#) .

6 - Air inlet grill, left

- ◆ Removing and installing same as for air inlet grill, right.

7 - Clip

- ◆ To install, press into fender.

8 - Combination bolt

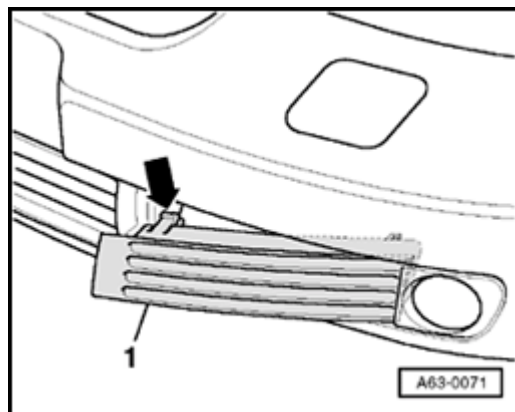
- ◆ 1.5 Nm.
- ◆ Tighten bolts at top rear, top front, and at bottom in specified sequence when installing bracket.

9 - Bracket

- ◆ Removing and installing ⇒ [page 63-8](#) .

10 - Spoiler

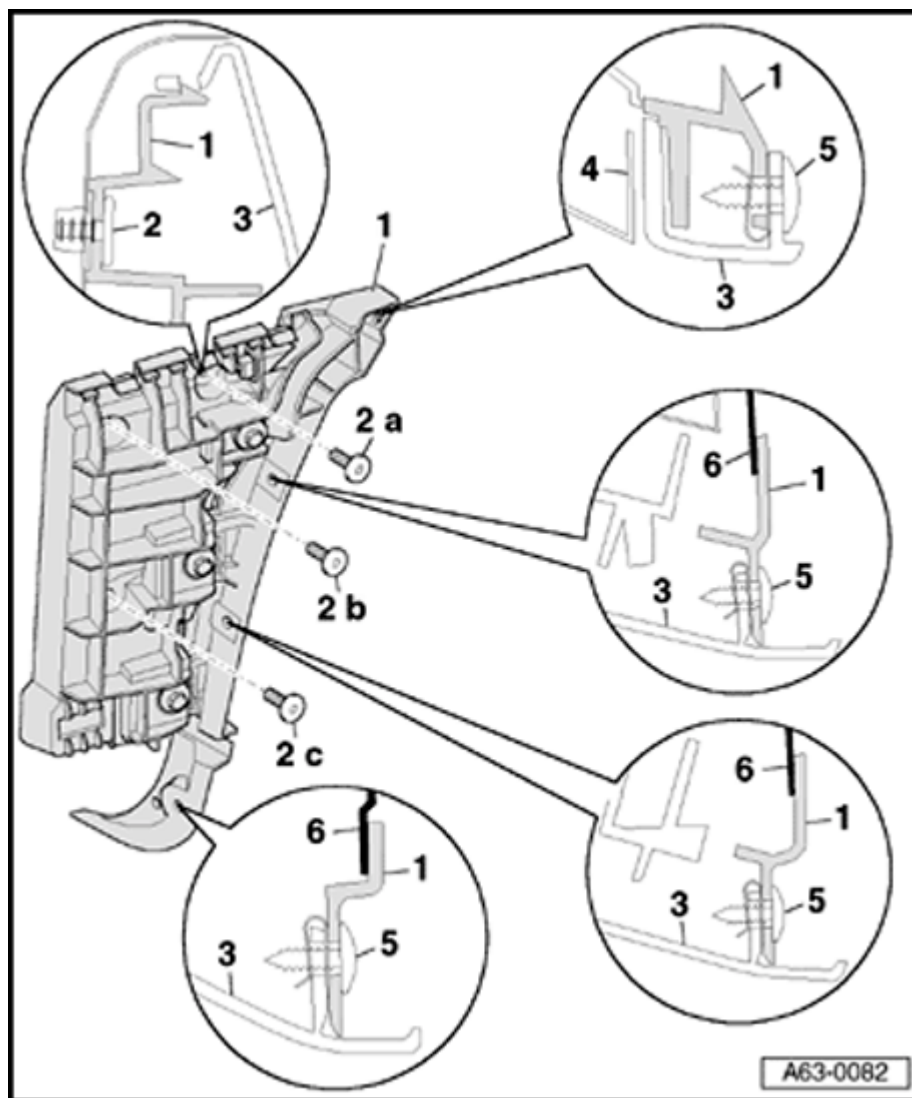
- ◆ Removing and installing ⇒ [page 63-10](#) .



A

Fig. 1 Removing and installing air inlet grill

- Disengage retaining tabs at top and bottom using screwdriver (arrow).
- Remove inner end of air inlet grill first.



Bracket for front bumper, removing and installing

1 - Bracket for front bumper

- ◆ The bracket has two parts. The rear half can be shifted to adjust the length.

2 - Combination bolts

- ◆ 1.5 Nm
- ◆ Tighten bolts in sequence: -a-, -b- then -c-.

3 - Bumper

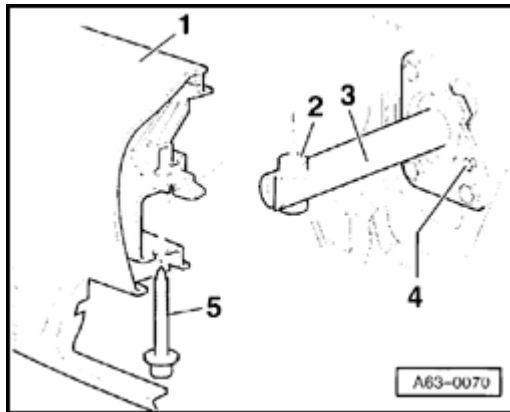
- ◆ Removing and installing ⇒ [page 63-5](#) .

4 - Fender

5 - Metal bolt

- ◆ 1.5 Nm.

6 - Wheelhousing liner



A

Fig. 1 Front bumper height adjustment

- Bumper -1- height is adjusted by shifting the threaded sleeve -2- in the impact absorber -3-.
- Tighten combination bolt to 23 Nm when installing bumper.
- Bolt -4- is for securing the impact absorber to the lock carrier, e.g. for service position.
- Tightening torque 4 Nm