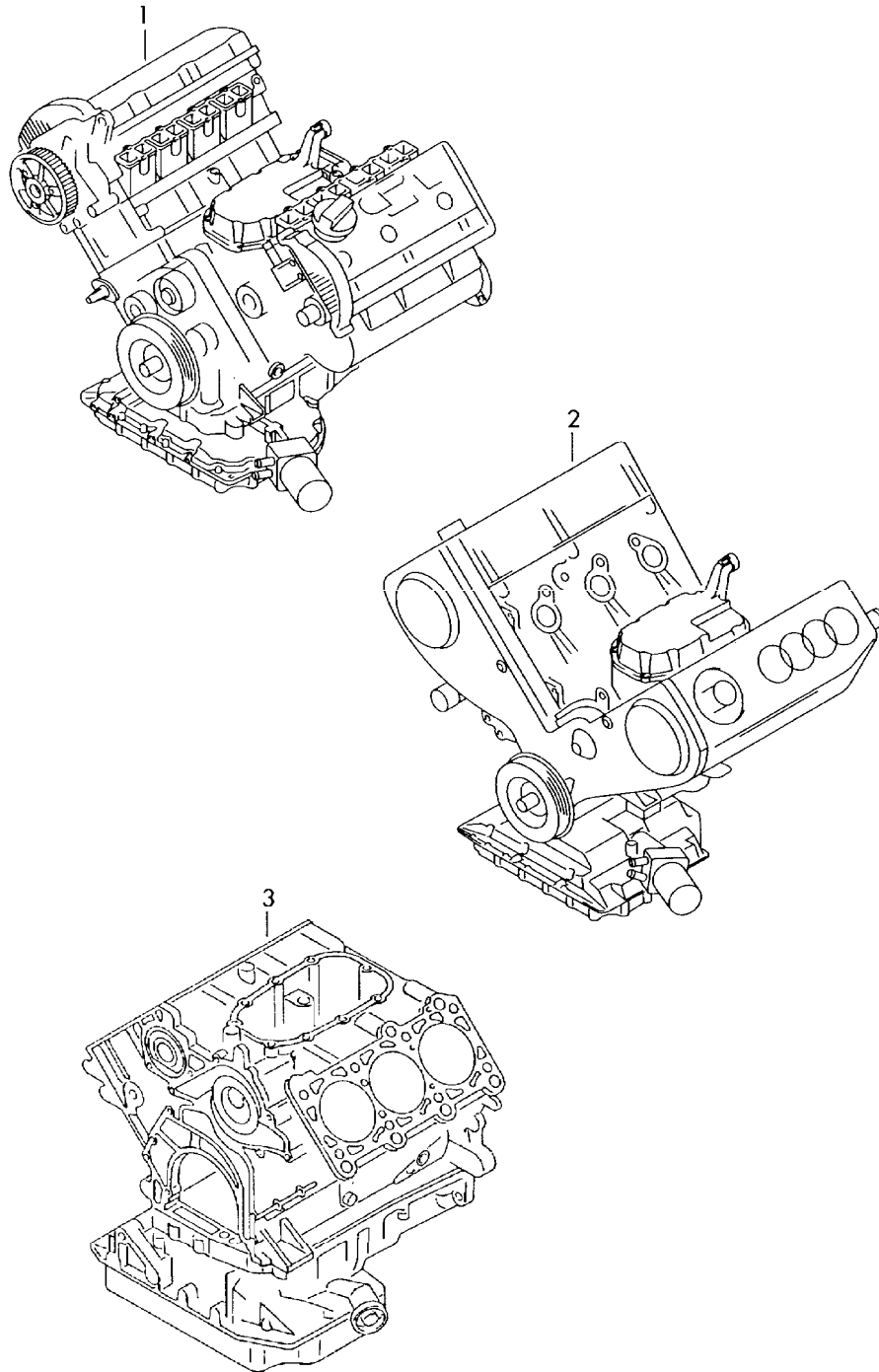




ETKA

Model	Year	MG	SG	Illustration	Restrictions	UPD	10:46	28.07.2006
RS4	2002	1	00	100-15	Audi RS4 Avant quattro	646	OTHER	





ETKA

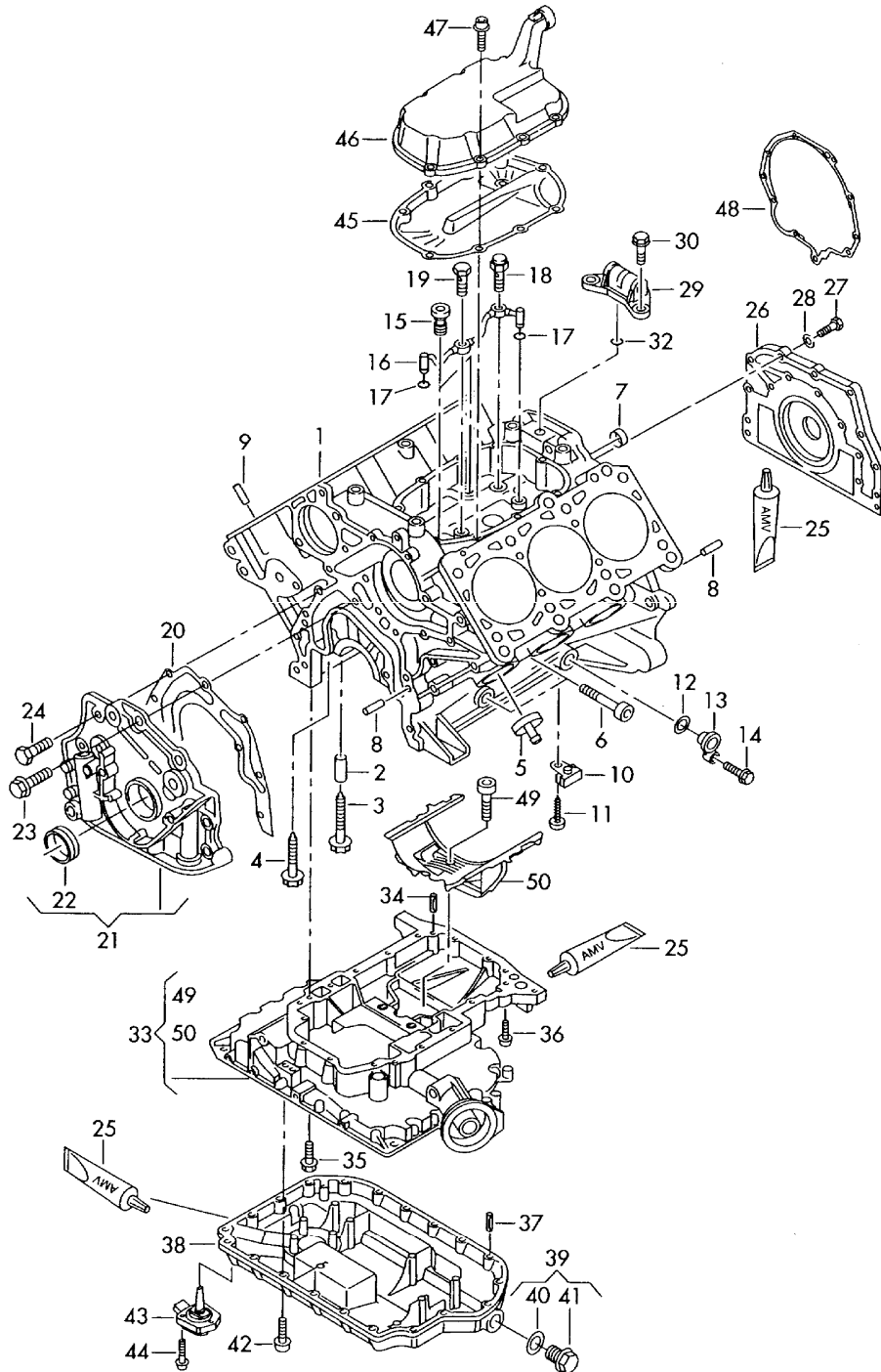
Model	Year	MG	SG	Illustration	Restrictions	UPD	10:46	28.07.2006
RS4	2002	1	00	100-15	Audi RS4 Avant quattro	646	OTHER	

Pos	Part Number	Name	Remarks	Qty	Model
1	078 100 033 L	base engine base engine	2,7ltr. 280KW 2,7ltr.	1	ASJ,AZR



ETKA

Model	Year	MG	SG	Illustration	Restrictions	UPD	10:47	28.07.2006
RS4	2002	1	03	103-10	Audi RS4 Avant quattro	646	OTHER	





ETKA

Model	Year	MG	SG	Illustration	Restrictions	UPD	10:47	28.07.2006
RS4	2002	1	03	103-10	Audi RS4 Avant quattro	646	OTHER	

Pos	Part Number	Name	Remarks	Qty	Model
		cylinder block with pistons oil sump	2,7ltr.		ASJ,AZR
1		not a spare part			
2	N 907 776 01	expansion pin	13,2X22	8	
3	078 103 039 F	hexagon head bolt	M11X1,5X87	8	
4	078 103 039 G	hexagon head bolt	M11X1,5X77	8	
5	035 103 111 B	union		1	
6	N 102 388 03	socket hd. screw with collar	M8X24	4	
7	N 011 903 4	sealing cap	A16.00	4	
8	N 043 207 2	dowel pin	8H8X14	4	
9	055 105 277	pin	6,2X22	4	
10	078 103 158 C	jet -		3	
11	N 101 699 02	bolt, with hex. socket hd., self-locking	M6X15	3	
12	N 905 001 01	round seal	16X3	1	
13	078 103 113 D	sealing cap		1	
14	N 090 261 2	bolt, hex. hd. (combi.)	M6X20-Z1	1	
15	059 103 175 F	check valve		2	
16	059 103 291 A	oil pressure line		1	
17	N 907 408 01	round seal	7,65X1,78	2	
18	078 115 540 F	oil spray jet		1	
19	059 103 728	union banto bolt with hex. socket hd.	M10X1	1	
20	06C 115 189	gasket		1	
21	078 103 151 F	sealing flange	front	1	
22	038 103 085 E	seal	35X48X10	1	
23	059 103 531 A	shouldered bolt	M8X35	1	
24	N 100 636 02	bolt, hex. hd. (combi.)	M6X25Z1	8	



ETKA

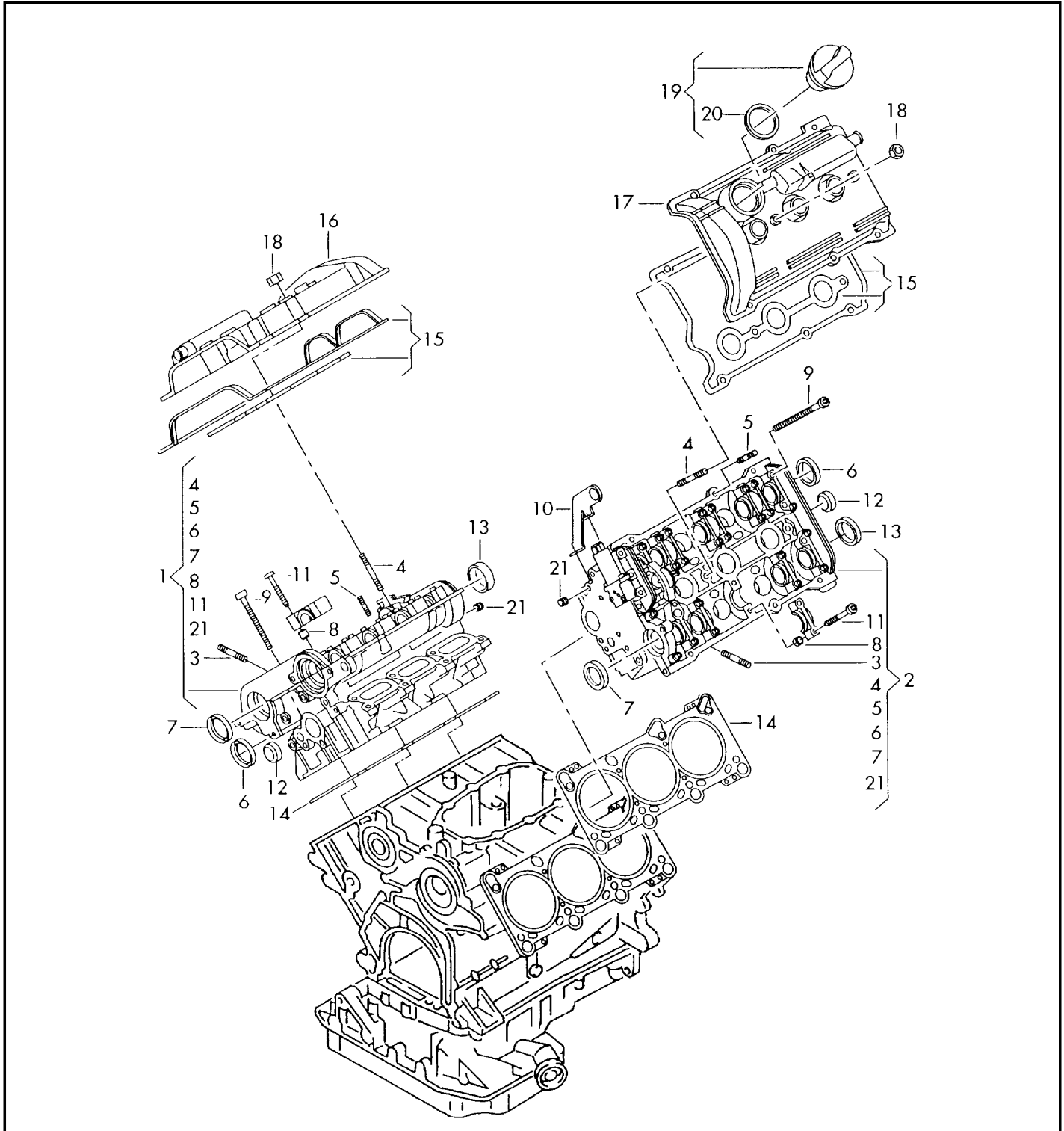
Model	Year	MG	SG	Illustration	Restrictions	UPD	10:47	28.07.2006
RS4	2002	1	03	103-10	Audi RS4 Avant quattro	646	OTHER	

Pos	Part Number	Name	Remarks	Qty	Model
25	D 176 404 A2	silicone sealant	93G	X	
26	06C 103 171 A	sealing flange	rear	1	
27	+ N 010 215 27	screw, hex. hd.	M6X15	15	
28	+ N 011 524 23	washer	A6,4X12,5X1,6	15	
29	078 115 377 B	distributor		1	
30	N 903 559 02	bolt, with hex. socket hd. (combi.)	M8X30	2	
32	N 907 773 01	round seal	12X2,5	1	
33	078 103 601 D	oil sump-upper part		1	
34	055 105 277	pin	6,2X22	2	
35	N 908 517 01	bolt, hex. hd. (combi.)	M7X22	17	
36	N 102 388 02	socket hd. screw with collar	M8X24	8	
37	055 105 277	pin	6,2X22	2	
38	078 103 604 AH	oil sump - lower part with opening for oil level sensor		1	
39	N 908 132 01	oil drain plug with seal	M14X1,5X22-TC- S20	1	
40		not a spare part			
41		not a spare part			
42	+ N 908 244 01	bolt, hex. hd. (combi.)	M6X22	19	
45	078 103 547 F	vent trim		1	
46	078 103 773 F	ventilation for cylinder block		1	
47	N 101 244 08	hexagon socket head bolt (combi)	M6X20.00-S11-N	9	
48	01E 103 551 C	intermediate plate	11,2MM	1	
49	N 014 701 8	bolt, with hex. socket hd.	M6X12MK	1	
50	078 103 623 E	restrictor		1	



ETKA

Model	Year	MG	SG	Illustration	Restrictions	UPD	10:49	28.07.2006
RS4	2002	1	03	103-40	Audi RS4 Avant quattro	646	OTHER	





ETKA

Model	Year	MG	SG	Illustration	Restrictions	UPD	10:49	28.07.2006
RS4	2002	1	03	103-40	Audi RS4 Avant quattro	646	OTHER	

Pos	Part Number	Name	Remarks	Qty	Model
		cylinder head cylinder head cover	2,7ltr.		ASJ,AZR
1	078 103 068 BK	cylinder head with valves, camshaft and camshaft adjuster unit	cylinders 1-3	1	
2	078 103 067 BK	cylinder head with valves, camshaft and camshaft adjuster unit	cylinders 4-6	1	
3	N 044 411 5	stud F >> 8D-2-905 780*	M8X30	18	
(3)	N 044 408 7	stud F 8D-2-905 781>>*	M8X25	18	
4	N 044 398 2	stud	M6X48	4	
5	N 044 422 7	stud	M6X20	12	
6	026 103 085 D	seal F >> 8D-1-906 300*		2	
(6)	038 103 085 C	radial shaft seal (shaft rotation : right) F 8D-1-906 301>>*	47X10	1	
(6)	028 103 086 A	radial shaft seal (shaft rotation: left) F 8D-1-906 301>>*	47X10	1	
7	038 103 085 C	radial shaft seal (shaft rotation : right)	47X10	2	
8	058 103 139	sleeve	8,2X6,5	28	
9	078 103 385 K	bolt, with polygon socket hd. (combi.)	M11X1,5X133	16	
10		not a spare part			
11	058 103 460 C	bolt, with polygon socket hd. .	M6X40	56	
12	N 011 908 2	sealing cap	28	2	
(13)	078 103 113 E	sealing cap		2	
14	078 103 383 Q	cylinder head gasket		2	
15	078 198 025	set of gaskets for cylinder head cover		2	



ETKA

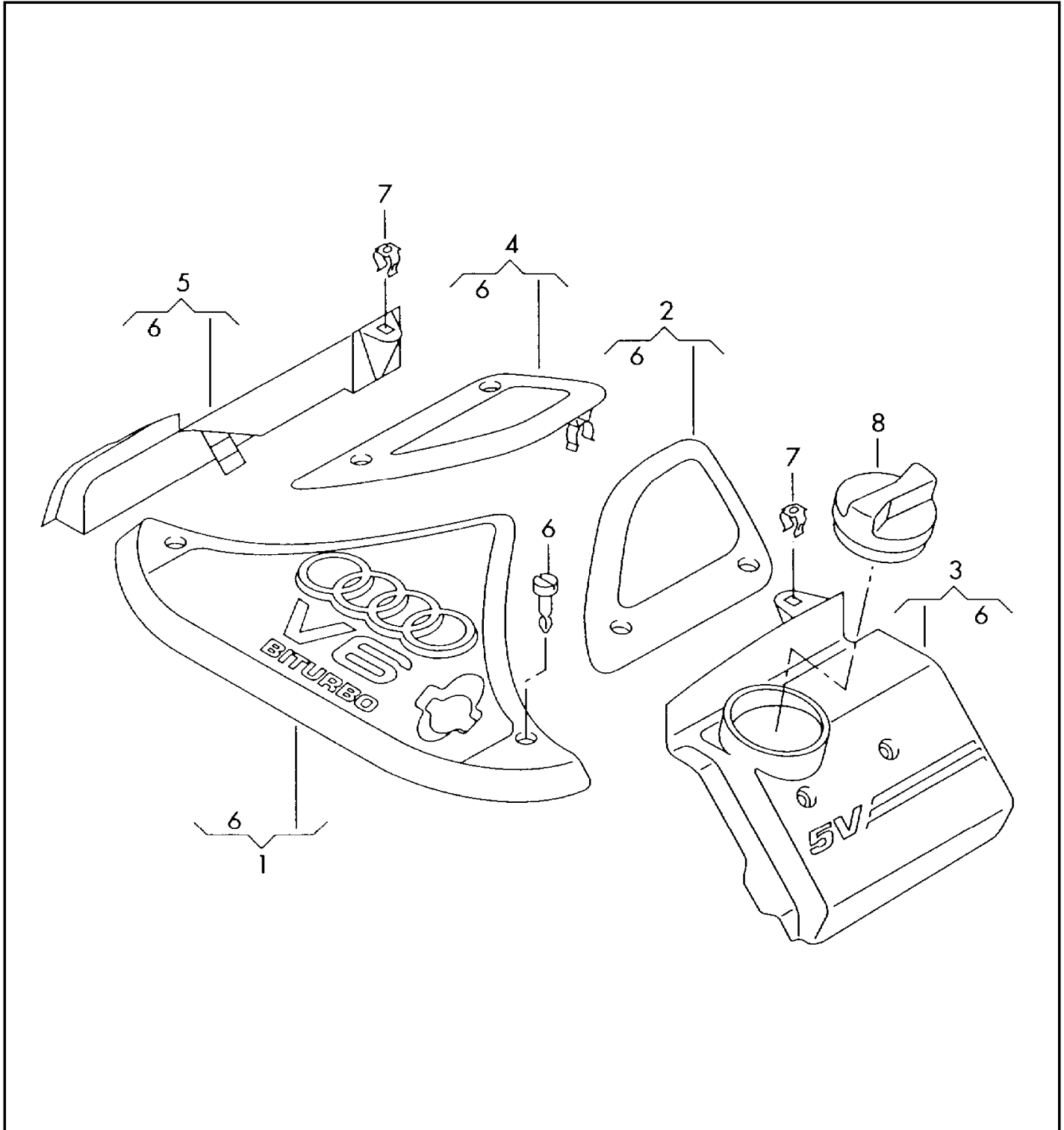
Model	Year	MG	SG	Illustration	Restrictions	UPD	10:49	28.07.2006
RS4	2002	1	03	103-40	Audi RS4 Avant quattro	646	OTHER	

Pos	Part Number	Name	Remarks	Qty	Model
16	078 103 472 T	cylinder head cover	cylinders 1-3	1	
17	078 103 471 T	cylinder head cover	cylinders 4-6	1	
18	+ N 901 752 03	shouldered hex. nut	M6	16	
(19)	078 103 485 F	sealing cap		1	
20	06A 103 483 D	gasket		1	
21	N 102 833 03	plug	M8X1	2	
-	AMV 174 004 01	sealant black	83ML	1	



ETKA

Model	Year	MG	SG	Illustration	Restrictions	UPD	10:50	28.07.2006
RS4	2002	1	03	103-70	Audi RS4 Avant quattro	646	OTHER	





ETKA

Model	Year	MG	SG	Illustration	Restrictions	UPD	10:50	28.07.2006
RS4	2002	1	03	103-70	Audi RS4 Avant quattro	646	OTHER	

Pos	Part Number	Name	Remarks	Qty	Model
		cover for engine compartment	2,7ltr.		ASJ,AZR
1	078 103 927 T	cover for intake manifold	'AUDI V6' 'BITURBO' center	1	
2	078 103 935 Q	cover for intake manifold	left, center	1	
3	078 103 935 S	cover for intake manifold	'5V' left	1	
4	078 103 936 H	cover for intake manifold	right, center	1	
5	078 103 936 G	cover for intake manifold	'5V' right	1	
6	N 906 420 01	locking pin	5X18,2	X	
7	078 103 314	clamp		X	
8		see illustration:	103-40		



ETKA

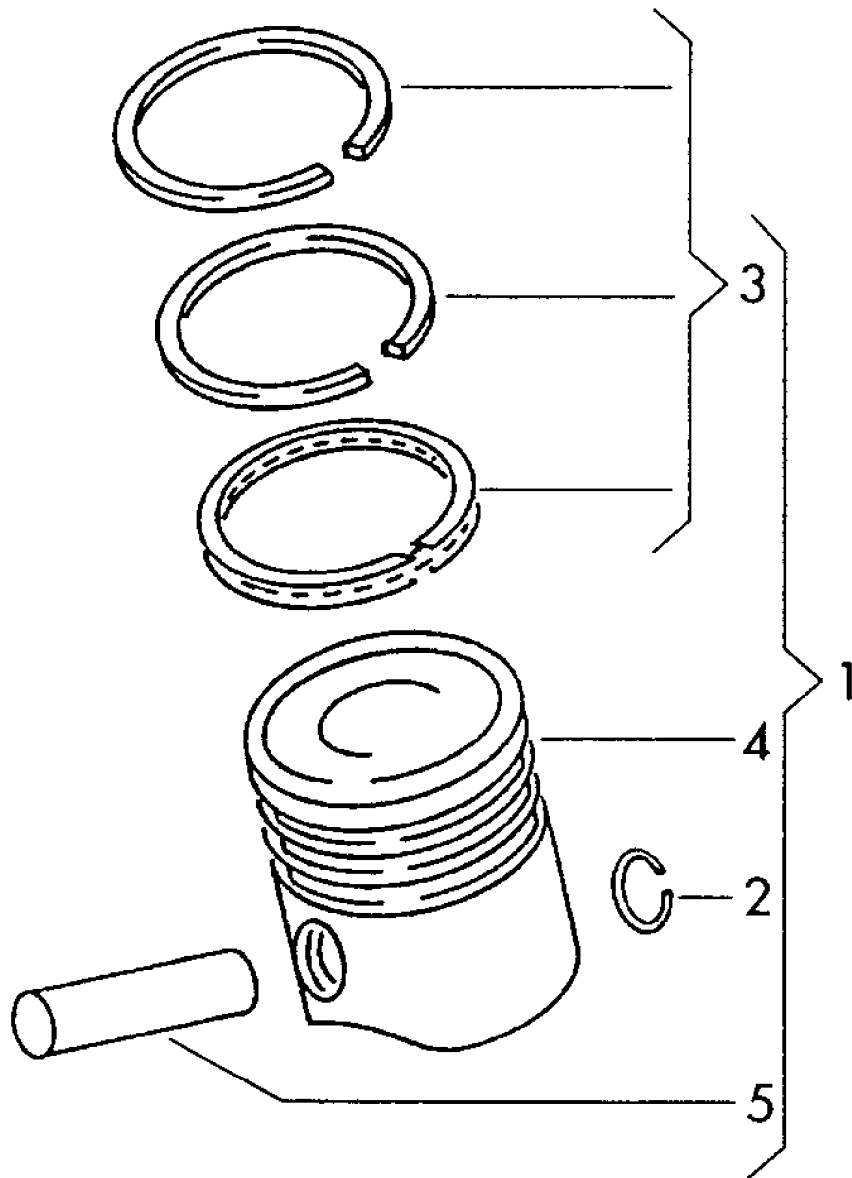
Model	Year	MG	SG	Illustration	Restrictions	UPD	10:50	28.07.2006
RS4	2002	1	05	105-10	Audi RS4 Avant quattro	646	OTHER	

Pos	Part Number	Name	Remarks	Qty	Model
		crankshaft connecting rod bearings	2,7ltr.		ASJ,AZR
1	078 105 101 AM	crankshaft		1	
		also use:	059 105 209 F	1	
1A	078 105 101 AM	crankshaft	HUB 86,4	1	
2	059 105 209 F	sprocket	Z=20	1	
(3)	078 105 251 R	vibration damper		1	
4	078 105 229 D	12 point socket head screw	M18X1,5X85	1	
(5)	078 105 263 G	toothed belt pulley		1	
5A	06C 105 193 B	scheibe (diamantbeschichtet)	34X18X0,1	1	
6	+ N 014 739 2	bolt, with hex. socket hd.	M8X16	8	
7	078 105 266 S	flywheel		1	
-	034 105 313 A	needle bearing -	BK15X24X26	1	
8	+ N 907 059 01	screw, hex. hd.	M10X1X43	8	
9	078 198 401 D	1 set of connecting rods		1	
10	077 105 425 B	bolt - connecting rod		12	
11	077 105 431	bushing-connecting rod		6	
12	078 105 701 L	connecting rod bearing shell	lower	6	
	06/00-09/01007	yellow			
(12)	078 105 701 M	connecting rod bearing shell	upper	6	
	06/00-09/01007	yellow			
13	078 198 421	1 set of thrust washers		1	
14	057 198 491	1 set of crankshaft bearings		4	



ETKA

Model	Year	MG	SG	Illustration	Restrictions	UPD	10:52	28.07.2006
RS4	2002	1	07	107-00	Audi RS4 Avant quattro	646	OTHER	





ETKA

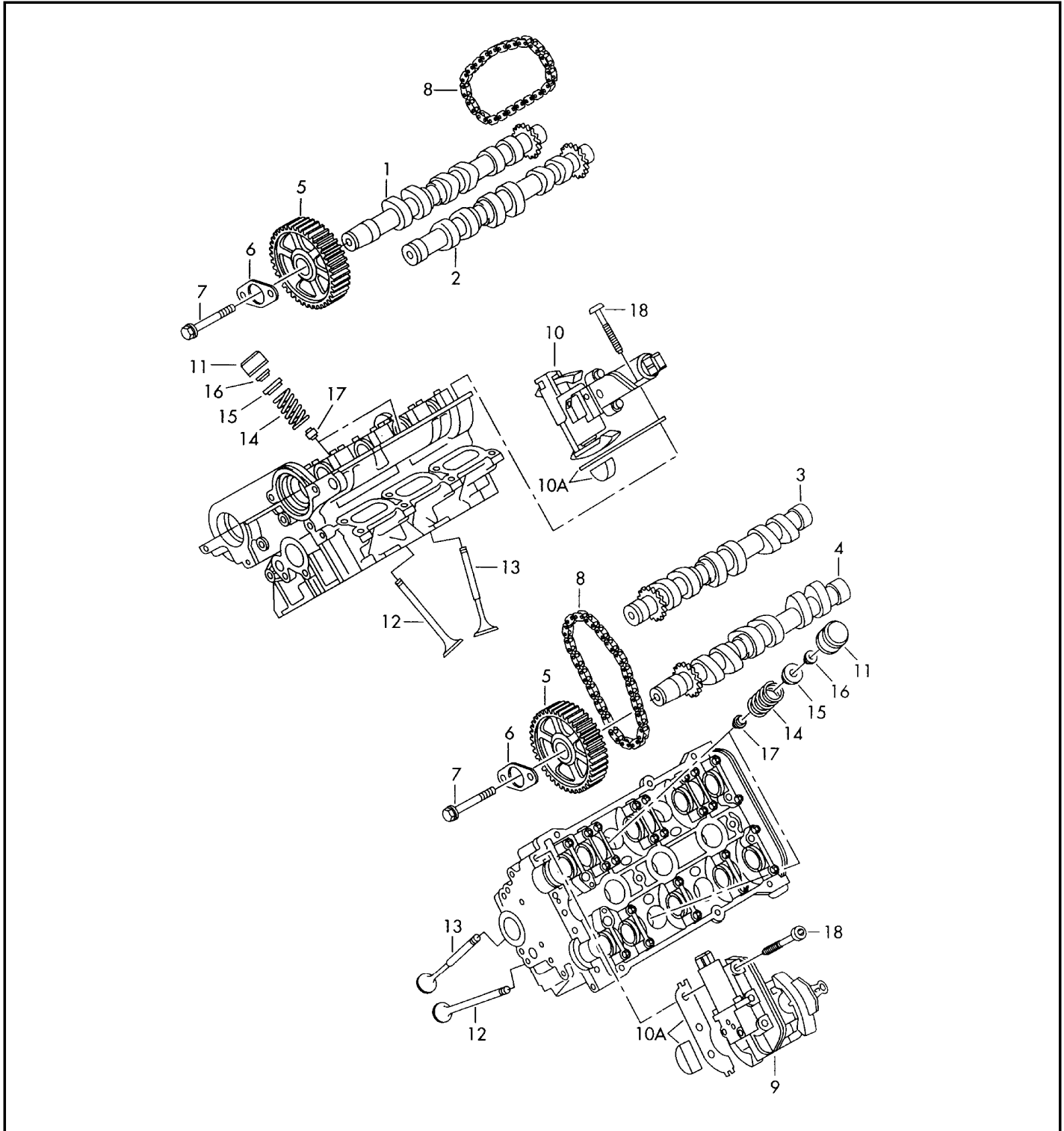
Model	Year	MG	SG	Illustration	Restrictions	UPD	10:52	28.07.2006
RS4	2002	1	07	107-00	Audi RS4 Avant quattro	646	OTHER	

Pos	Part Number	Name	Remarks	Qty	Model
1	078 107 065 AT	piston piston complete	2,7ltr. 81,00 also use: N 905 583 01	6 X	ASJ,AZR
2	N 905 583 01	circlip	C21X1,5	12	
3	078 198 151 D	1 set of piston rings	81	6	



ETKA

Model	Year	MG	SG	Illustration	Restrictions	UPD	10:53	28.07.2006
RS4	2002	1	09	109-10	Audi RS4 Avant quattro	646	OTHER	





ETKA

Model	Year	MG	SG	Illustration	Restrictions	UPD	10:53	28.07.2006
RS4	2002	1	09	109-10	Audi RS4 Avant quattro	646	OTHER	

Pos	Part Number	Name	Remarks	Qty	Model
		camshaft, valves	2,7ltr.		ASJ, AZR
1	078 109 022	camshaft	exhaust cylinders 1-3	1	
2	078 109 021 B	camshaft	intake cylinders 1-3	1	
3	078 109 021 C	camshaft	intake cylinders 4-6	1	
4	078 109 022 A	camshaft	exhaust cylinders 4-6	1	
5	078 109 111 B	toothed belt pulley		2	
6	078 109 149	washer		2	
7	N 906 371 01	screw, hex. hd.	M10X1X145X45	2	
8	058 109 229 B	timing chain		2	
9	078 109 087 C	camshaft adjuster unit	cylinders 4-6	1	
10	078 109 088 C	camshaft adjuster unit	cylinders 1-3	1	
10A	058 198 217	set of gaskets for tensioner- chain/camshaft adjuster unit		2	
11	058 109 309 L	cam follower marked with:	intake 1 point blue	X	
(11)	058 109 309 N	cam follower marked with:	intake 2 point red	X	
(11)	058 109 309 M	cam follower marked with:	exhaust 1 point blue	X	
(11)	058 109 309 P	cam follower marked with:	exhaust 2 point red	X	
12	058 109 601 C	intake valve	105,1	18	
13	058 109 611 E	exhaust valve		12	
14	058 109 633	spring - valve	intake	18	
(14)	078 109 623 E	spring - valve	exhaust	12	



ETKA

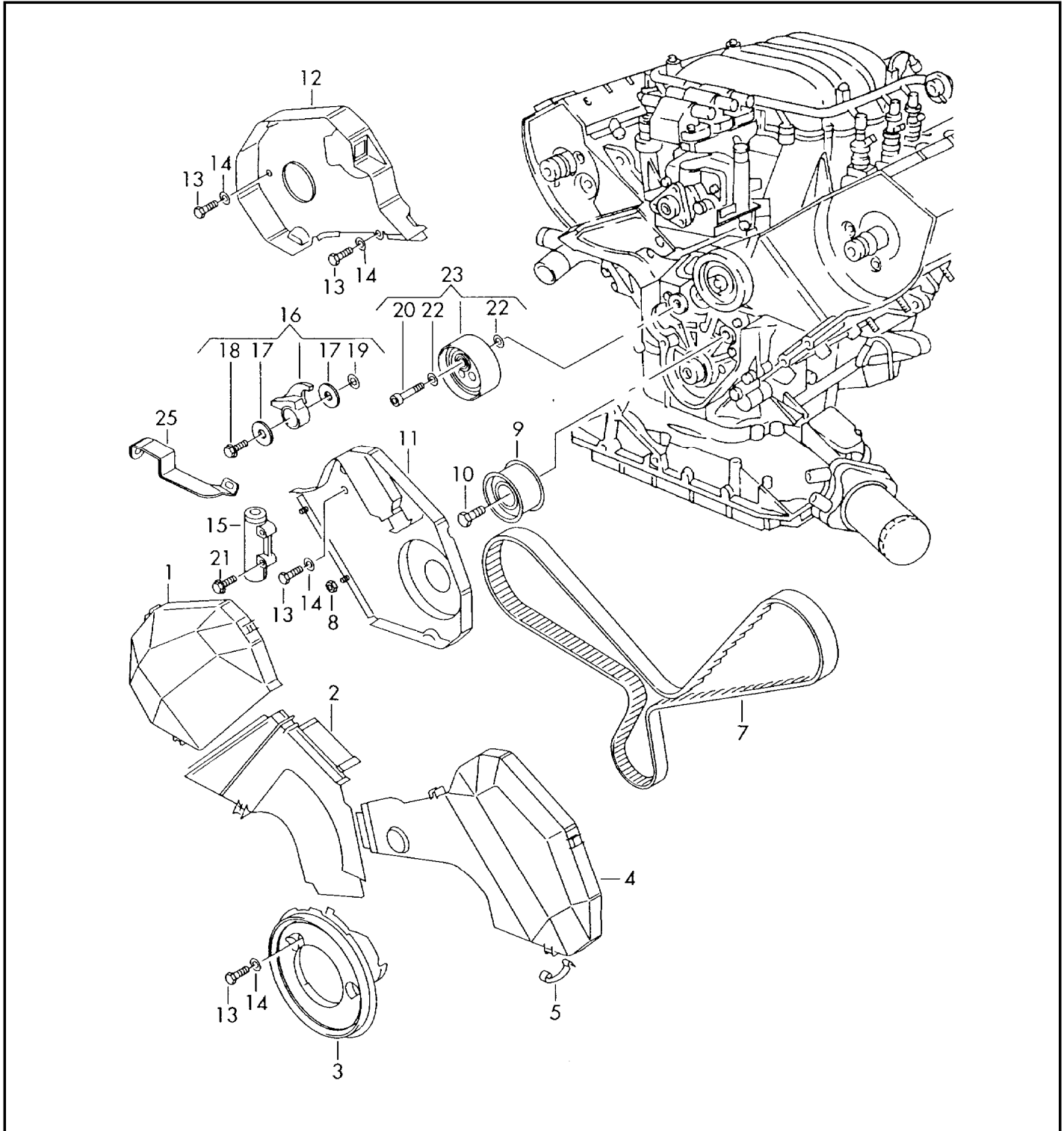
Model	Year	MG	SG	Illustration	Restrictions	UPD	10:53	28.07.2006
RS4	2002	1	09	109-10	Audi RS4 Avant quattro	646	OTHER	

Pos	Part Number	Name	Remarks	Qty	Model
15	058 109 641	spring seat	intake	18	
(15)	058 109 641 B	spring seat	exhaust	12	
16	036 109 651 A	cotter, split		60	
(17)	036 109 675 A	seal - valve stem	6MM	30	
18	WHT 002 015	bolt, with polygon socket hd. .	M6X40	8	



ETKA

Model	Year	MG	SG	Illustration	Restrictions	UPD	10:53	28.07.2006
RS4	2002	1	09	109-60	Audi RS4 Avant quattro	646	OTHER	





ETKA

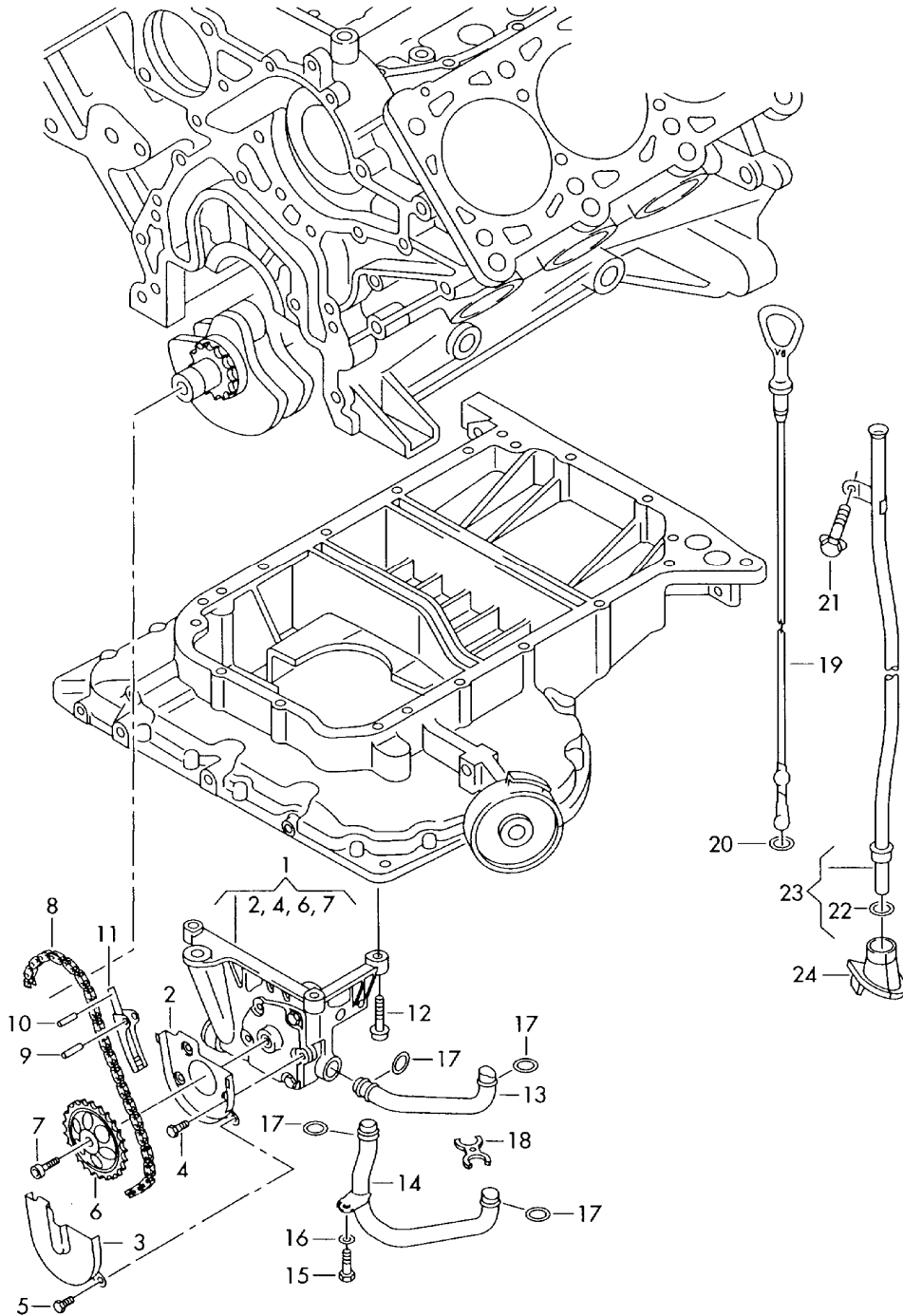
Model	Year	MG	SG	Illustration	Restrictions	UPD	10:53	28.07.2006
RS4	2002	1	09	109-60	Audi RS4 Avant quattro	646	OTHER	

Pos	Part Number	Name	Remarks	Qty	Model
		toothed belt toothed belt cover	2,7ltr.		ASJ,AZR
1	078 109 123 AM	toothed belt cover	right	1	
2	078 109 107 M	toothed belt cover	center	1	
3	078 109 127 E	toothed belt cover	lower	1	
4	078 109 123 AN	toothed belt cover	left	1	
5	078 109 150 A	spring clip		X	
7	078 109 119 J	toothed belt		1	
8	+ N 901 752 03	shouldered hex. nut	M6	2	
9	078 109 244 H	relay roller		1	
10	N 010 254 14	screw, hex. hd.	M10X25	1	
11	078 109 107 S	toothed belt cover	left	1	
12	078 109 145 AC	toothed belt cover	right	1	
13	N 100 515 04	bolt, hex. hd., self-locking	M6X15-Z1	1	
15	078 109 479 E	belt tensioning damper		1	
16	078 109 487 A	tensioning lever		1	
17	N 900 042 02	washer	8,4X28X2	3	
18	N 019 503 3	screw, hex. hd.	M8X35	1	
19	+ N 903 649 01	round seal	7X2-N	1	
20	N 014 717 6	bolt, with hex. socket hd., self-locking	M8X40	1	
21	+ N 102 056 01	bolt, hex. hd. (combi.)	M6X32-U-S1	3	
22	N 901 076 04	washer	8,2X18X2	2	
23	078 109 243 R	tensioning roller		1	
25	078 109 133 D	bracket for toothed belt cover		1	



ETKA

Model	Year	MG	SG	Illustration	Restrictions	UPD	10:54	28.07.2006
RS4	2002	1	15	115-10	Audi RS4 Avant quattro	646	OTHER	





ETKA

Model	Year	MG	SG	Illustration	Restrictions	UPD	10:54	28.07.2006
RS4	2002	1	15	115-10	Audi RS4 Avant quattro	646	OTHER	

Pos	Part Number	Name	Remarks	Qty	Model
		oil pump oil dipstick with tube	2,7ltr.		ASJ,AZR
1	078 115 105 K	oil pump		1	
2	078 115 142 C	protective plate	rear	1	
3	078 115 132 C	protective plate	front	1	
4	N 010 217 20	bolt, hex. hd., self-locking	M6X20MK	X	
5	N 101 005 03	bolt, hex. hd. (combi.)	M6X10Z1	X	
6	078 115 121 C	sprocket	Z=30	1	
7	N 903 659 07	oval hexagon socket head bolt	M8X22-E-W	4	
8	078 115 125	chain		1	
9	N 101 058 01	dowel pin	6M6X30	3	
10	N 013 335 1	expansion pin	6X22	1	
11	078 115 124	tensioner - chain		1	
12	N 902 156 04	bolt, with hex. socket hd. (combi.)	M8X35.00-S4-S	3	
13	078 115 278 B	oil pipe		1	
14	06C 115 277	oil pipe		1	
15	+ N 010 215 27	screw, hex. hd.	M6X15	2	
16	+ N 011 524 23	washer	A6,4X12,5X1,6	2	
17	N 906 132 01	round seal	18X2,5	4	
18	078 115 271 A	plate		1	
19	078 115 611 T	oil dipstick		1	
20	034 115 625 B	sealing washer	5X1,9	1	
21	N 100 052 04	bolt, hex. hd. (combi.)	M8X18	1	
22	034 115 427 B	round seal	12X2	1	
23	078 115 609 R	tube for oil dipstick		1	
24	078 109 151	grommet		1	



ETKA

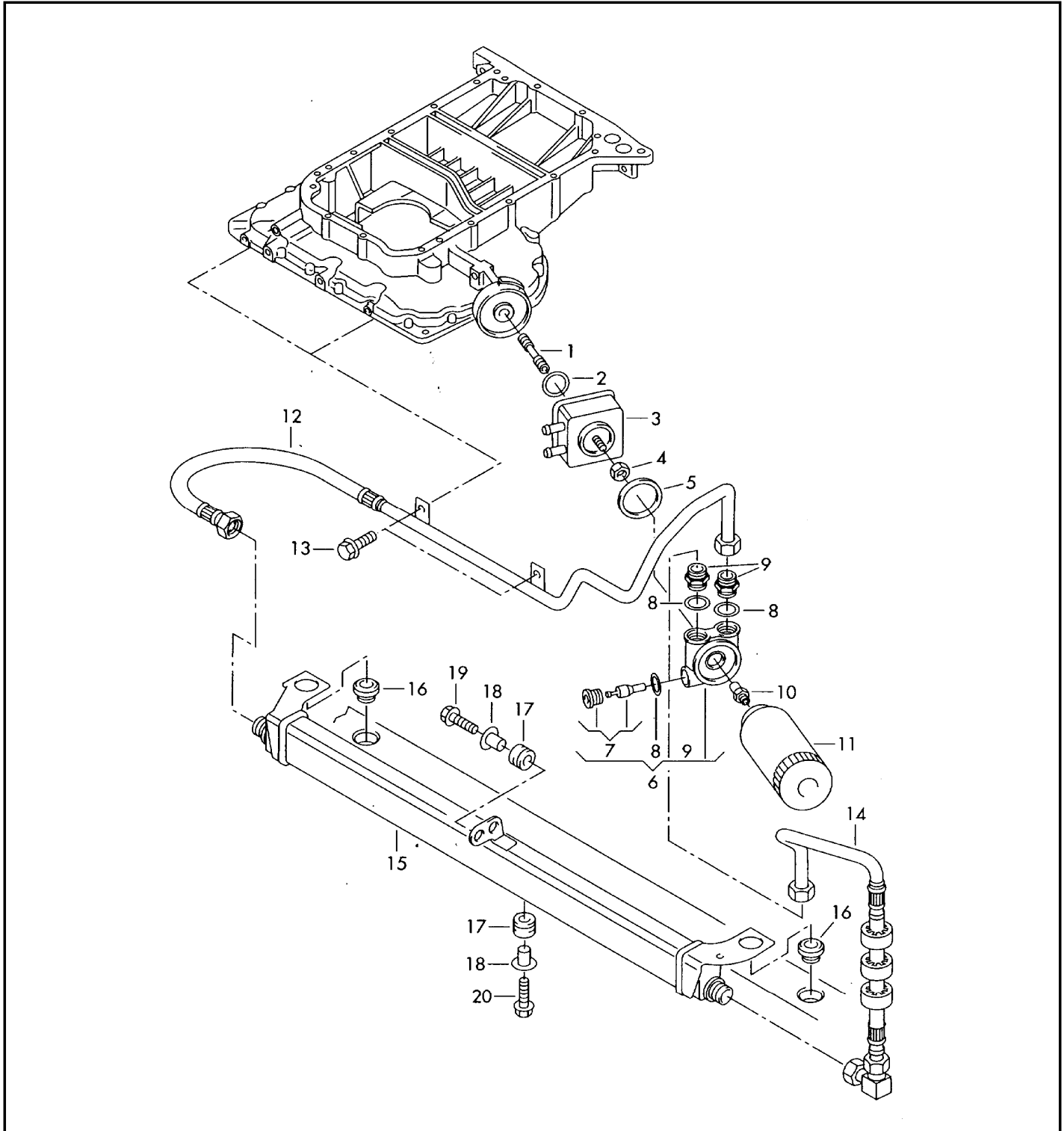
Model	Year	MG	SG	Illustration	Restrictions	UPD	10:54	28.07.2006
RS4	2002	1	15	115-10	Audi RS4 Avant quattro	646	OTHER	

Pos	Part Number	Name	Remarks	Qty	Model
-	06C 115 709	round seal	15X1,5	1	



ETKA

Model	Year	MG	SG	Illustration	Restrictions	UPD	10:55	28.07.2006
RS4	2002	1	17	117-10	Audi RS4 Avant quattro	646	OTHER	





ETKA

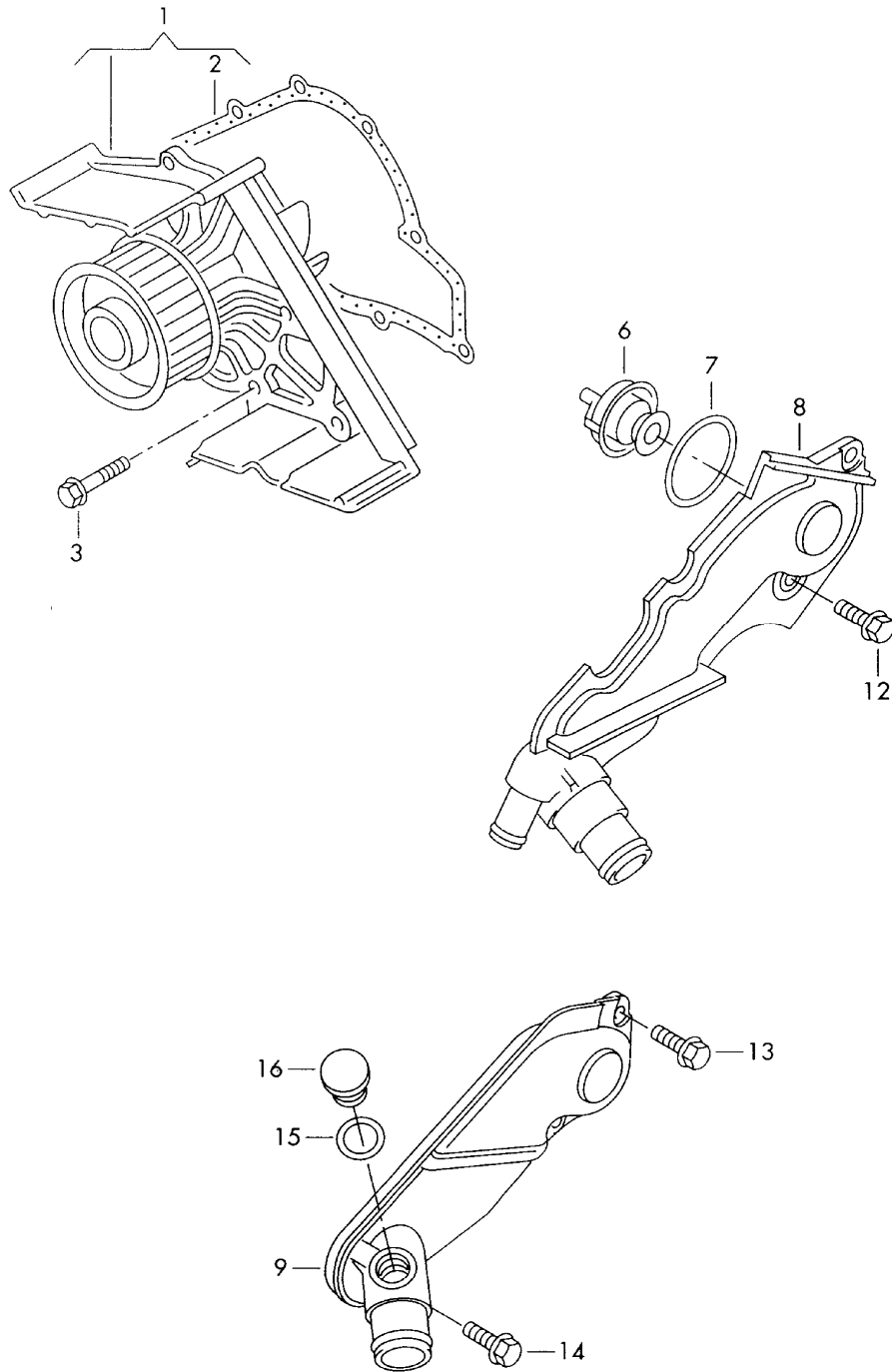
Model	Year	MG	SG	Illustration	Restrictions	UPD	10:55	28.07.2006
RS4	2002	1	17	117-10	Audi RS4 Avant quattro	646	OTHER	

Pos	Part Number	Name	Remarks	Qty	Model
		oil cooler oil filter	2,7ltr.		ASJ,AZR
1	078 115 721 E	union		1	
2		discontinued / replacement:	028 117 021 D		
3	028 117 021 D	oil cooler		1	
4	068 115 723	hex. nut		1	
5	078 115 441	sealing washer	62X5,4	1	
6	078 115 405 A	oil filter bracket		1	
7	078 115 429	oil temperatur valve		1	
8	N 013 827 1	sealing washer	A22X27	3	
9	078 115 721 F	union		2	
10	078 115 721 D	union		1	
11	06A 115 561 B	oil filter		1	
12	8D0 317 815 L	supply pipe		1	
13	+ N 010 241 18	screw, hex. hd.	M8X22	2	
14	8D0 317 815 M	return pipe		1	
15	078 117 021 C	oil cooler		1	
16		see illustration:	121-70		
17	8D0 121 275 A	rubber mounting		2	
18	8D0 121 337	sleeve		2	
19	N 090 364 2	bolt, hex. hd. (combi.)	M6X35-S1-N	1	
20	N 100 636 02	bolt, hex. hd. (combi.)	M6X25Z1	1	



ETKA

Model	Year	MG	SG	Illustration	Restrictions	UPD	10:55	28.07.2006
RS4	2002	1	21	121-15	Audi RS4 Avant quattro	646	OTHER	





ETKA

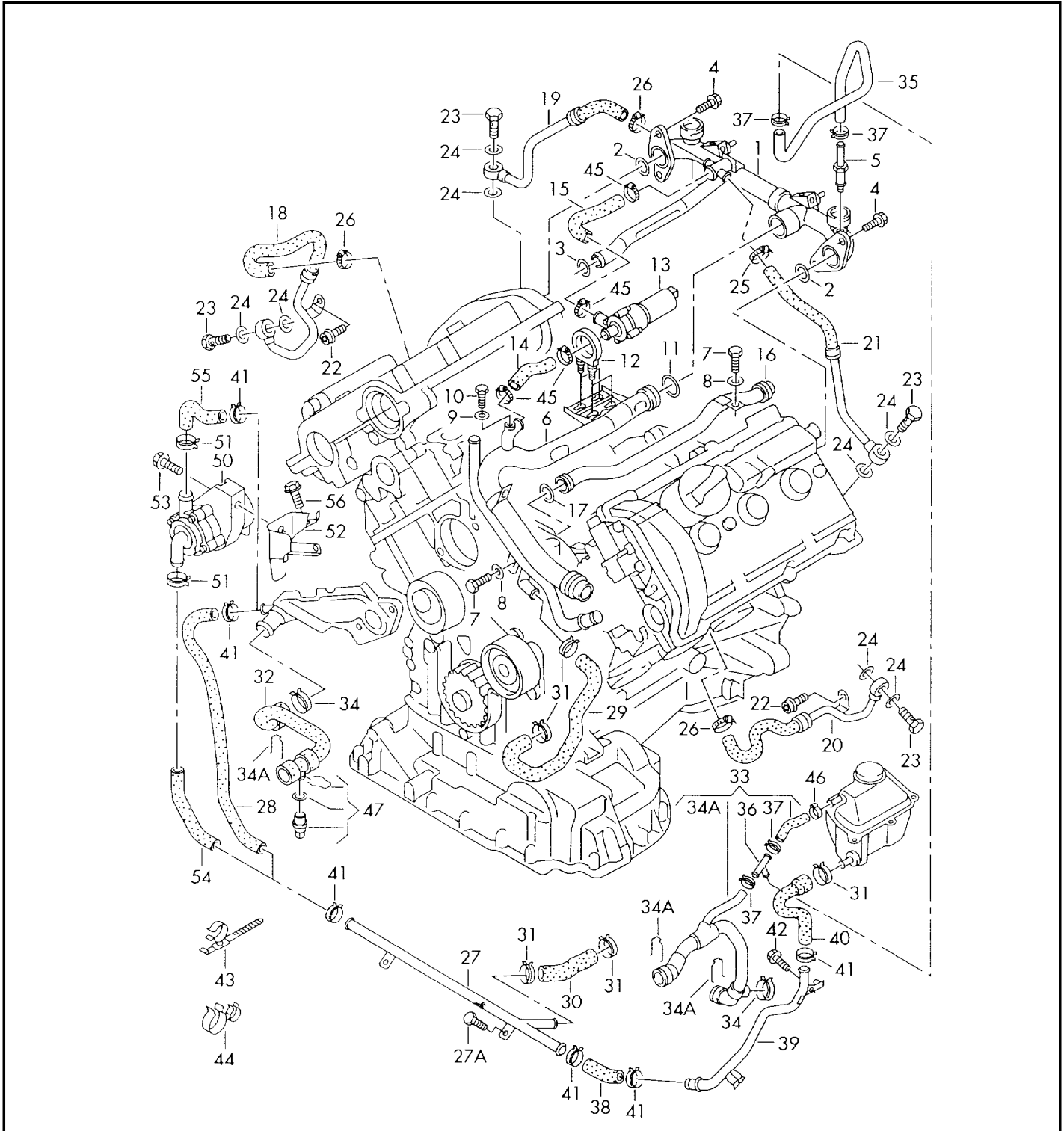
Model	Year	MG	SG	Illustration	Restrictions	UPD	10:55	28.07.2006
RS4	2002	1	21	121-15	Audi RS4 Avant quattro	646	OTHER	

Pos	Part Number	Name	Remarks	Qty	Model
		water pump	2,7ltr.		6 cylinder: ASJ,AZR
1	078 121 006 A	water pump with gasket		1	
(1)	078 121 006 AX	water pump with gasket		1	
2	078 121 043 A	gasket		1	
3	N 090 261 2	bolt, hex. hd. (combi.)	M6X20-Z1	9	
6	078 121 113 F	thermostat	87C	1	
7	+ N 901 368 02	round seal	60X3,5	1	
(8)	078 121 121 K	cover	plastic	1	
12	+ N 908 244 01	bolt, hex. hd. (combi.)	M6X22	2	
(14)	N 100 837 01	screw, hex. hd.	PM6X30	1	



ETKA

Model	Year	MG	SG	Illustration	Restrictions	UPD	10:56	28.07.2006
RS4	2002	1	21	121-60	Audi RS4 Avant quattro	646	OTHER	





ETKA

Model	Year	MG	SG	Illustration	Restrictions	UPD	10:56	28.07.2006
RS4	2002	1	21	121-60	Audi RS4 Avant quattro	646	OTHER	

Pos	Part Number	Name	Remarks	Qty	Model
		water cooling	2,7ltr.		6 cylinder: ASJ,AZR
1	078 121 071 CD	water pipe		1	
2	+ N 909 125 01	round seal	32X5	2	
3	+ N 903 800 02	round seal	24X3	1	
4	+ N 902 716 02	bolt, with hex. socket hd. (combi.)	M6X22Z1	4	
5	078 145 755 B	union		1	
6	078 121 070 CB	water pipe with servo steering oil suction pipe		1	
7	+ N 010 215 27	screw, hex. hd.	M6X15	X	
8	+ N 011 524 23	washer	A6,4X12,5X1,6	X	
9	+ N 013 811 5	sealing washer	A10X13,5	X	
10	N 016 024 1	plug	M10X1	X	
11	+ N 905 607 01	round seal	30X5	1	
12	035 959 209 E	rubber mounting		2	
13	078 965 561	additional water pump		1	
14	078 121 082 E	water hose (water pipe > additional water pump)		1	
15	078 121 082 H	water hose (water pipe > additional water pump)		1	
16	078 121 075 AB	water pipe		1	
17	+ N 903 653 02	round seal	20X3	1	
18	078 121 598 E	water pipe (turbocharger > cylinder block)	feed	1	
19	078 121 492 F	water pipe (turbocharger > water pipe) also use:	return N 013 849 5 06A 145 541 K	1 1	



ETKA

Model	Year	MG	SG	Illustration	Restrictions	UPD	10:56	28.07.2006
RS4	2002	1	21	121-60	Audi RS4 Avant quattro	646	OTHER	

Pos	Part Number	Name	Remarks	Qty	Model
20	078 121 597 E	water pipe (turbocharger > cylinder block)	feed	1	
21	078 121 491 F	water pipe (turbocharger > water pipe)	return	1	
		also use:	06A 145 541 K	1	
			N 013 849 5	2	
22	N 100 829 07	bolt, hex. hd. (combi.)	M6X16-Z1	X	
23	N 021 074 2	banjo bolt	10	X	
(23)	06A 145 541 K	banjo bolt	M14X1.5X32	X	
24	+ N 013 814 9	sealing washer	14X18X1,5	X	
(24)	N 013 849 5	sealing washer	A14X20	X	
25	+ N 024 528 1	clamp	LC8-12	X	
26	+ N 102 582 01	clamp	AL12-22	X	
27	078 121 081 J	water pipe		1	
27A	+ N 010 241 18	screw, hex. hd.	M8X22	2	
28	078 121 096 AM	water hose (union > water pipe)		1	
29	078 121 058 R	water hose (oil cooler > water pipe)		1	
30	078 121 096 K	water hose (oil cooler > water pipe)		1	
31	N 906 869 01	spring clip	B23X12	X	
32	8D0 121 055 T	water hose (adapter > radiator)		1	
(33)	8D0 121 101 AG	water hose (reservoir > adapter > radiator)		1	
34	N 906 872 01	spring clip	B40X12	X	
34A	1J0 121 142	retaining spring		X	



ETKA

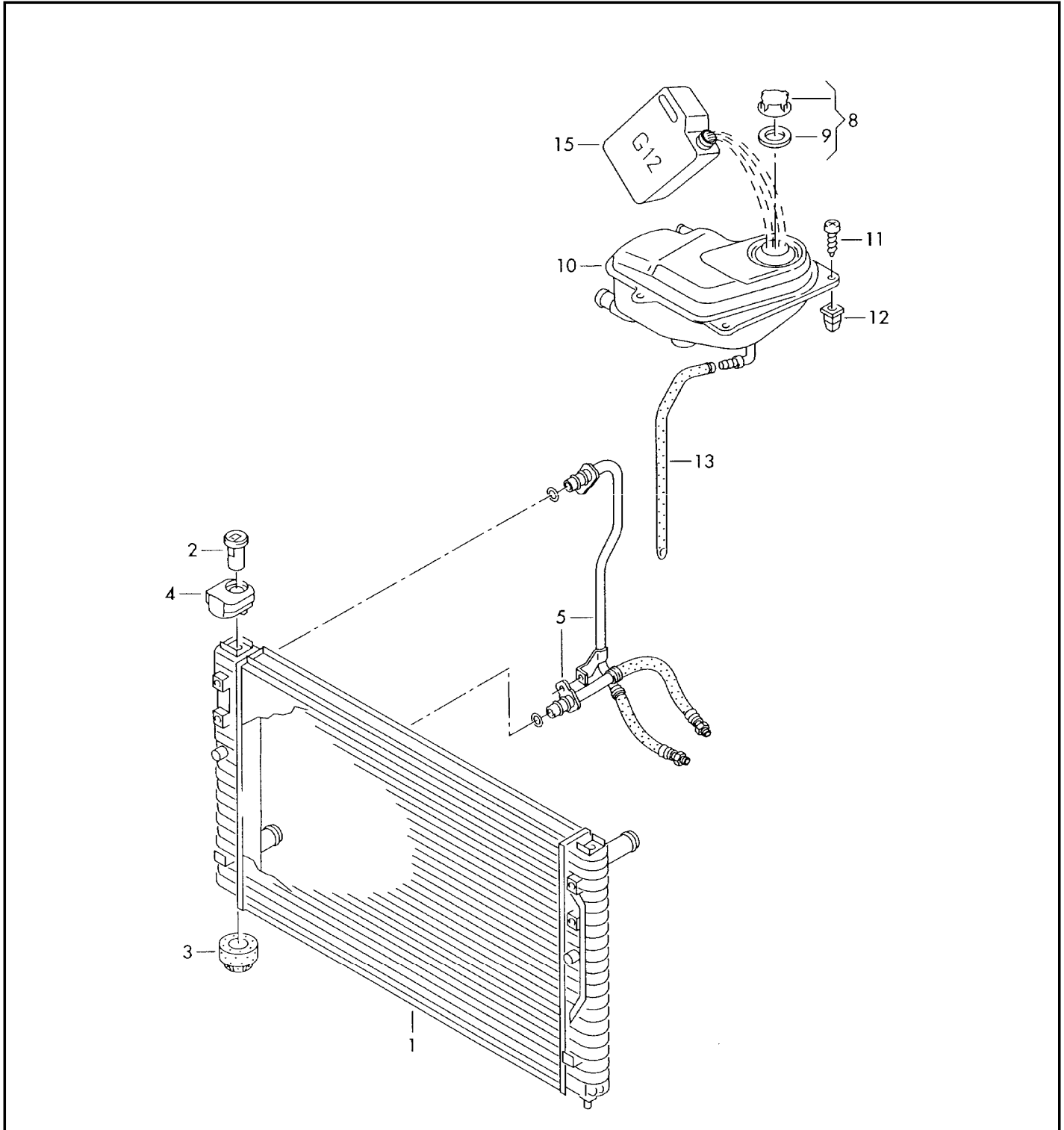
Model	Year	MG	SG	Illustration	Restrictions	UPD	10:56	28.07.2006
RS4	2002	1	21	121-60	Audi RS4 Avant quattro	646	OTHER	

Pos	Part Number	Name	Remarks	Qty	Model
35	8D0 121 107 P	breather hose (adapter > water pipe)		1	
36	N 906 930 01	t-piece	8X8X8	1	
37	N 906 867 01	spring clip	B14X12	X	
38	078 121 096 H	water hose (water pipe > water pipe)		1	
39	078 121 065 E	water pipe		1	
40	8D0 121 109 G	water hose (expansion chamber > water pipe)		1	
41	N 906 553 01	spring clip	17X12	X	
42	N 100 052 04	bolt, hex. hd. (combi.)	M8X18	1	
43	4A0 121 093	tie wrap		1	
44	026 121 093 A	bracket		1	
45	+ N 102 581 01	clamp	AL23-35	X	
46	N 100 572 01	retaining clip	8X15	X	
47		see illustration:	959-50		
-	8D0 959 481 B	dual thermal switch	95-84C/102-91C	1	
-	+ N 903 168 02	round seal	19.60X3.65-N	1	
-	032 121 142	retaining spring		1	



ETKA

Model	Year	MG	SG	Illustration	Restrictions	UPD	10:57	28.07.2006
RS4	2002	1	21	121-70	Audi RS4 Avant quattro	646	OTHER	





ETKA

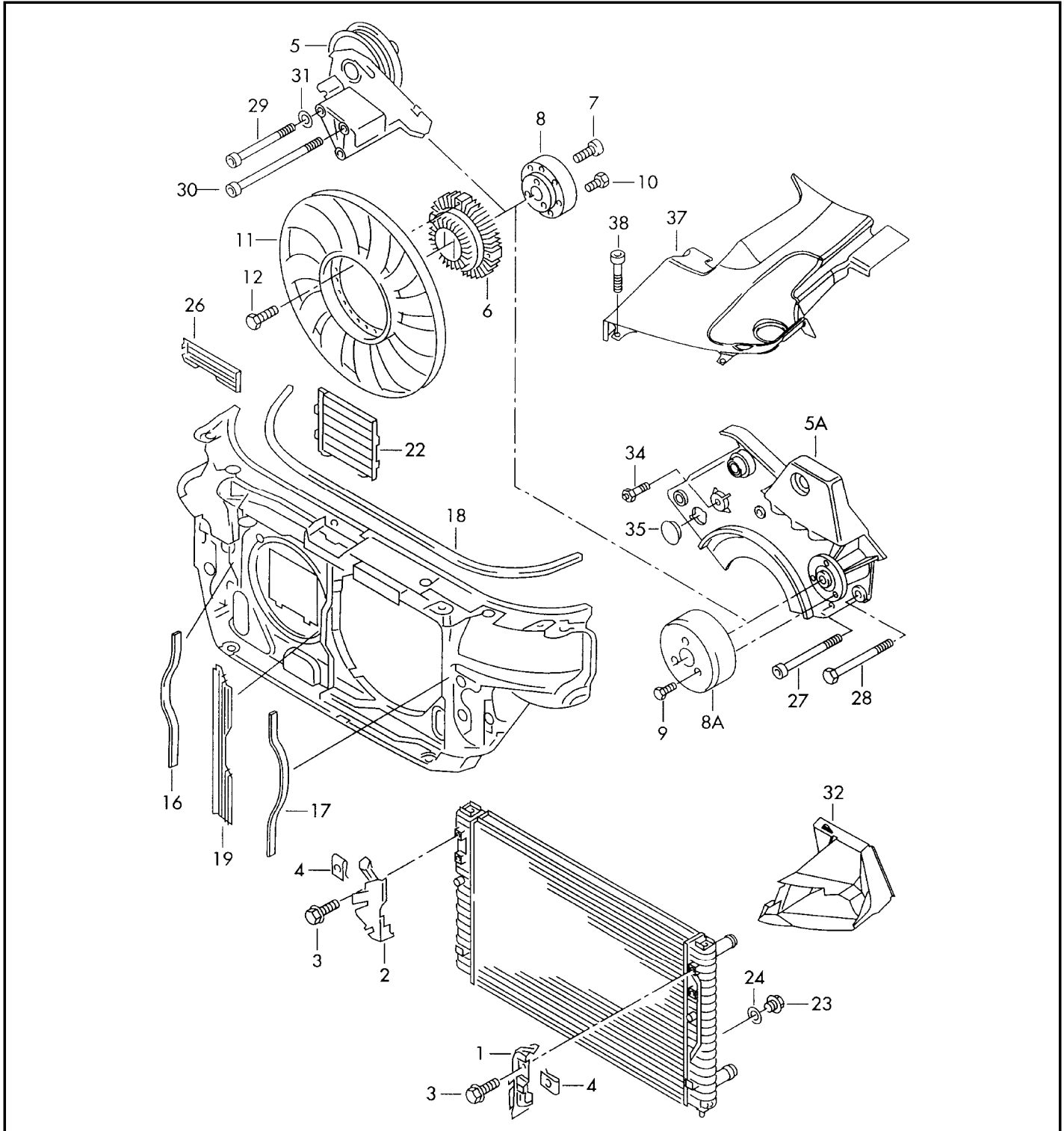
Model	Year	MG	SG	Illustration	Restrictions	UPD	10:57	28.07.2006
RS4	2002	1	21	121-70	Audi RS4 Avant quattro	646	OTHER	

Pos	Part Number	Name	Remarks	Qty	Model
		radiator reservoir	2,7ltr.		6 cylinder: ASJ,AZR
1	8D0 121 251 BD	radiator with oil cooler	630X446MM	1	
2	8D0 121 200	attachment bolt		2	
3	8D0 121 275 B	rubber mounting	lower	2	
4	8D0 121 276 B	rubber mounting	upper	2	
5		see illustration:	317-10		
8	1J0 121 321 B	sealing cap		1	
9	+ 1H0 121 687 A	round seal	28,5X3,8	1	
10	8D0 121 403 M	reservoir		1	
11	N 910 907 01	semi round bolt (combi) with hexagon socket head	5X20	3	
12	+ 811 807 577 C	speed nut		3	
13	8D0 121 428	drain hose		1	
15	G 012 A8F M1	coolant additive, plus	1.5ltr. red	X	
(15)	G 012 A8F M8	coolant additive, plus	60ltr. red	X	



ETKA

Model	Year	MG	SG	Illustration	Restrictions	UPD	10:57	28.07.2006
RS4	2002	1	21	121-90	Audi RS4 Avant quattro	646	OTHER	





ETKA

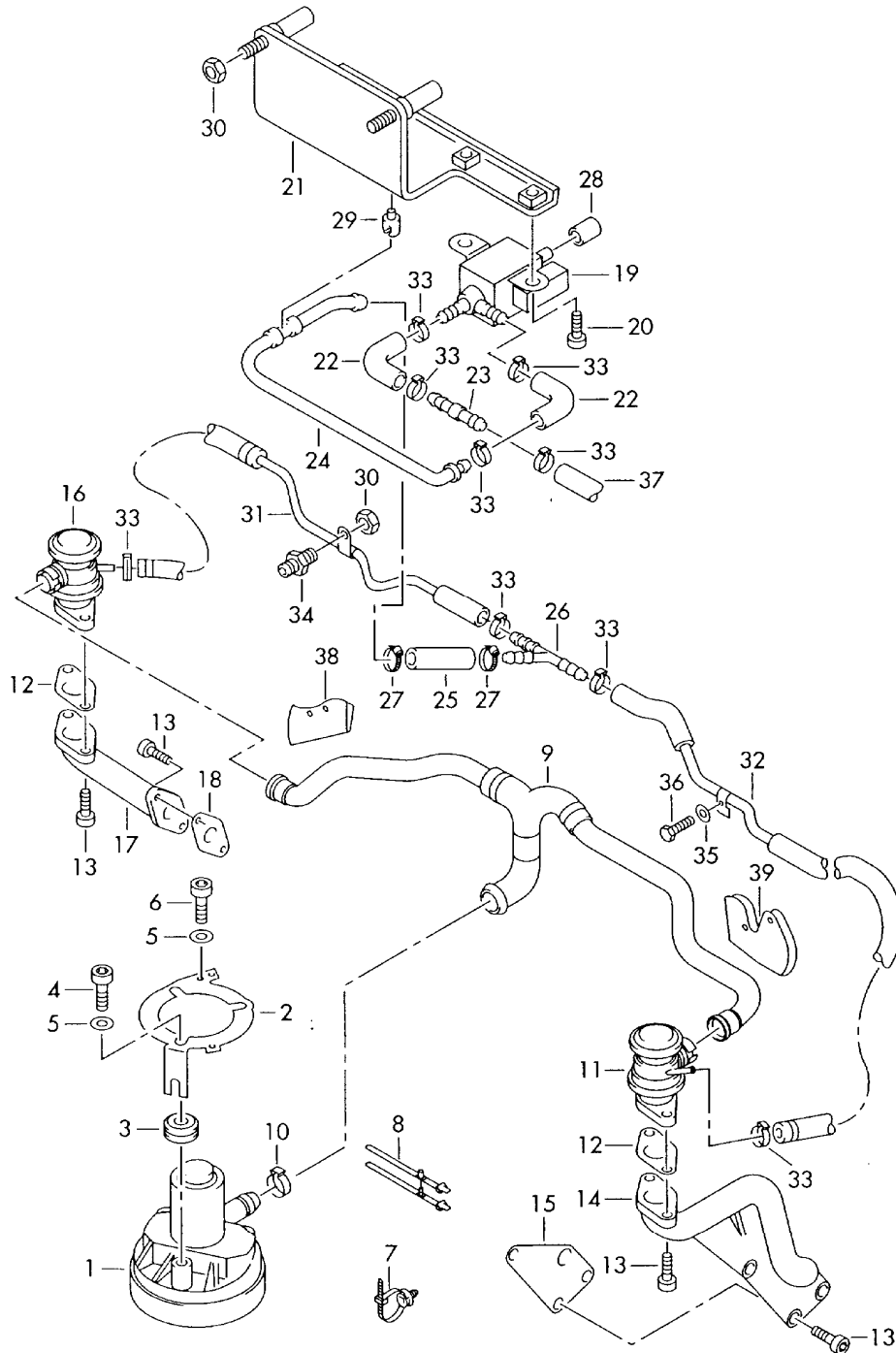
Model	Year	MG	SG	Illustration	Restrictions	UPD	10:57	28.07.2006
RS4	2002	1	21	121-90	Audi RS4 Avant quattro	646	OTHER	

Pos	Part Number	Name	Remarks	Qty	Model
		air duct viscous coupling fan wheel	2,7ltr.		6 cylinder: ASJ,AZR
1	8D0 121 283 K	air duct	left	1	
2	8D0 121 284 H	air duct	right	1	
3	+ N 905 048 02	bolt, hex. hd. (combi.)	M4X13	X	
4	+ N 904 190 02	speed nut	M4X15X17,5	X	
5	078 121 235 H	bracket viscous coupling		1	
6	078 121 350 A	viscous coupling		1	
11	078 121 301 E	fan wheel		1	
12	+ N 014 745 4	bolt, with hex. socket hd., self-locking	M6X14	4	
16	4B0 121 221 B	sealing strip	515MM	1	
17	4B0 121 221 B	sealing strip	515MM	1	
18	8D0 121 331	seal strip lock carrier	630MM upper/lower	2	
19	8D0 121 331 A	seal strip		1	
26	8D0 121 223 B	radiator blind		1	
29	N 044 714 1	bolt, with hex. socket hd.	M8X80	2	
31	+ N 011 558 11	washer	8,4X15X1,6	2	
32	8D0 117 335 G	air duct for charge air cooler see illustration:	left 145-75	1	
(32)	8D0 117 336 G	air duct for charge air cooler see illustration:	right 145-75	1	



ETKA

Model	Year	MG	SG	Illustration	Restrictions	UPD	10:58	28.07.2006
RS4	2002	1	31	131-12	Audi RS4 Avant quattro	646	OTHER	





ETKA

Model	Year	MG	SG	Illustration	Restrictions	UPD	10:58	28.07.2006
RS4	2002	1	31	131-12	Audi RS4 Avant quattro	646	OTHER	

Pos	Part Number	Name	Remarks	Qty	Model
		secondary air pump secondary air control valve	2,7ltr.		6 cylinder: ASJ,AZR
1	078 906 601 H	secondary air pump		1	
2	078 906 617 A	bracket for pump		1	
3	021 131 085 B	damping rubber		3	
4	N 014 705 3	bolt, with hex. socket hd.	M6X25	3	
5	+ N 011 666 15	washer	6,4X18X1,6	3	
6	N 014 740 4	bolt, with hex. socket hd.	M6X16	2	
		also use:	N 011 666 15	2	
7	+ N 906 661 01	tie wrap	4,5X200	X	
8	4A0 820 199	double tie wrap		X	
9	078 131 831 M	connecting pipe		1	
10	N 904 095 01	retaining clip	25,4-28,6	1	
11	078 131 101 AB	combi valve	left	1	
12	078 131 120 K	gasket		2	
13	N 101 244 08	hexagon socket head bolt (combi)	M6X20.00-S11-N	X	
14	078 131 165 H	adapter	left	1	
15	078 131 120 E	gasket	left	1	
16	078 131 102 M	combi valve	right	1	
17	078 131 166 J	adapter	right	1	
18	078 131 120 D	gasket	right	1	
19	026 906 283 H	solenoid valve		1	
20	N 104 343 01	screw, cheese hd.	M5X10	2	
(21)	078 131 685 A	bracket		1	
22	078 131 179	angled hose		2	
(23)	2D0 129 737 A	t-piece	4-4-4	1	



ETKA

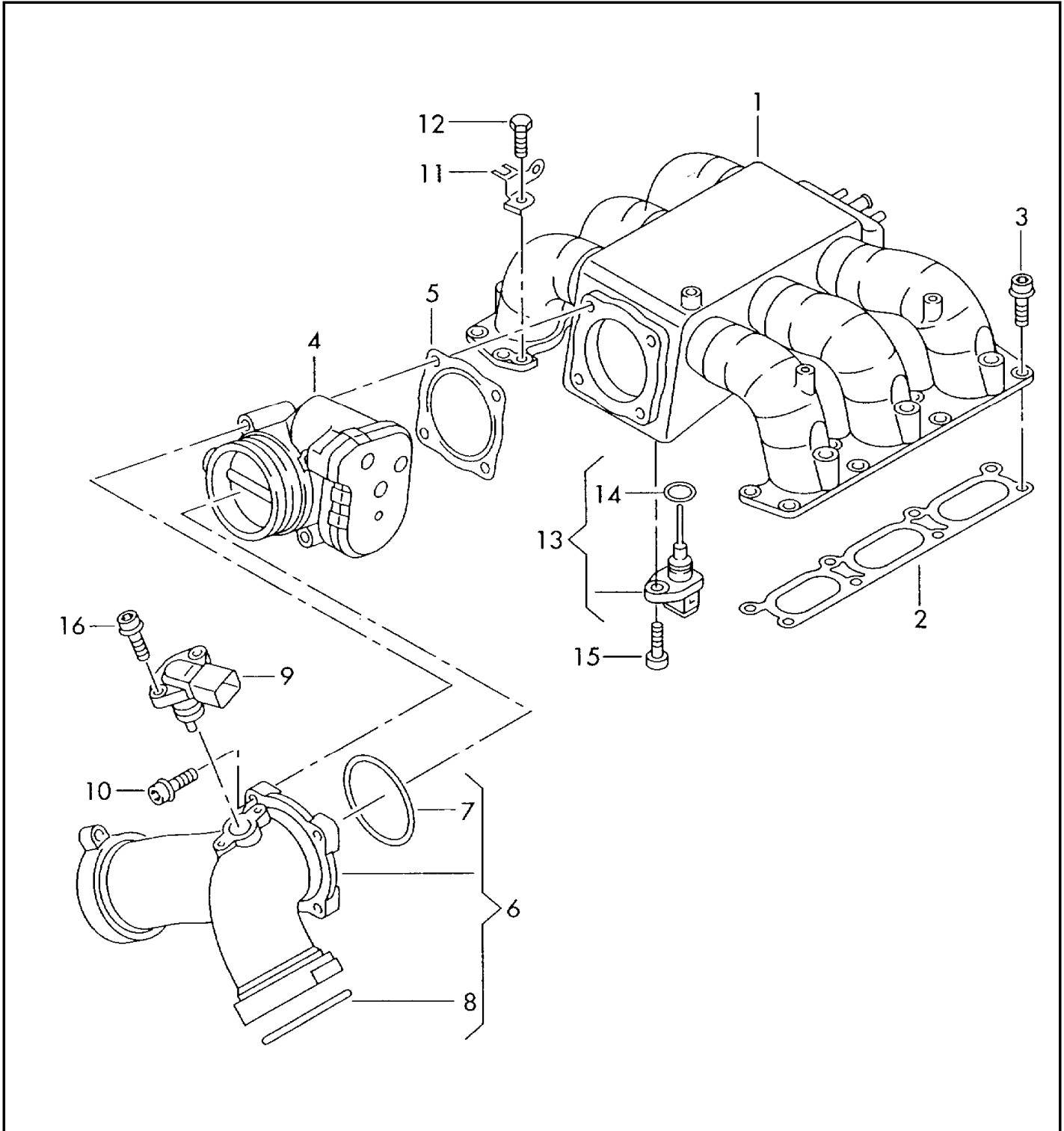
Model	Year	MG	SG	Illustration	Restrictions	UPD	10:58	28.07.2006
RS4	2002	1	31	131-12	Audi RS4 Avant quattro	646	OTHER	

Pos	Part Number	Name	Remarks	Qty	Model
(24)	078 131 269	connecting pipe		1	
-	N 020 353 27	hose in coils of 5m 'order qty. 5'	3,5X2		
25		shorten to:	30MM	1	
26	2D0 129 737 A	t-piece	4-4-4	1	
27	+ N 100 911 01	clamp	7,5-9	X	
28	078 906 315	ventilation cap	4,4MM	1	
29		discontinued / replacement:	N 906 661 01	1	
(29)	+ N 906 661 01	tie wrap	4,5X200	1	
30	+ N 011 183 12	hex. nut, self-locking	M6	X	
31	078 131 492 C	vacuum pipe	right	1	
32	078 131 493 E	vacuum pipe	left	1	
33	+ N 103 100 01	retaining clip	9,4-11,9	X	
(33)	+ N 100 911 01	clamp	7,5-9	X	
34	N 905 516 02	double hex. hd. bolt	M6X16/M6X10	1	
35	+ N 011 524 23	washer	A6,4X12,5X1,6	1	
36	+ N 010 215 27	screw, hex. hd.	M6X15	1	
-	N 020 353 27	hose in coils of 5m 'order qty. 5'	3,5X2	*	
37		shorten to: see illustration:	130MM 133-85	1	
38	078 131 745	heat deflector	left	1	
39	078 131 746	heat deflector	right	1	



ETKA

Model	Year	MG	SG	Illustration	Restrictions	UPD	10:59	28.07.2006
RS4	2002	1	33	133-80	Audi RS4 Avant quattro	646	OTHER	





ETKA

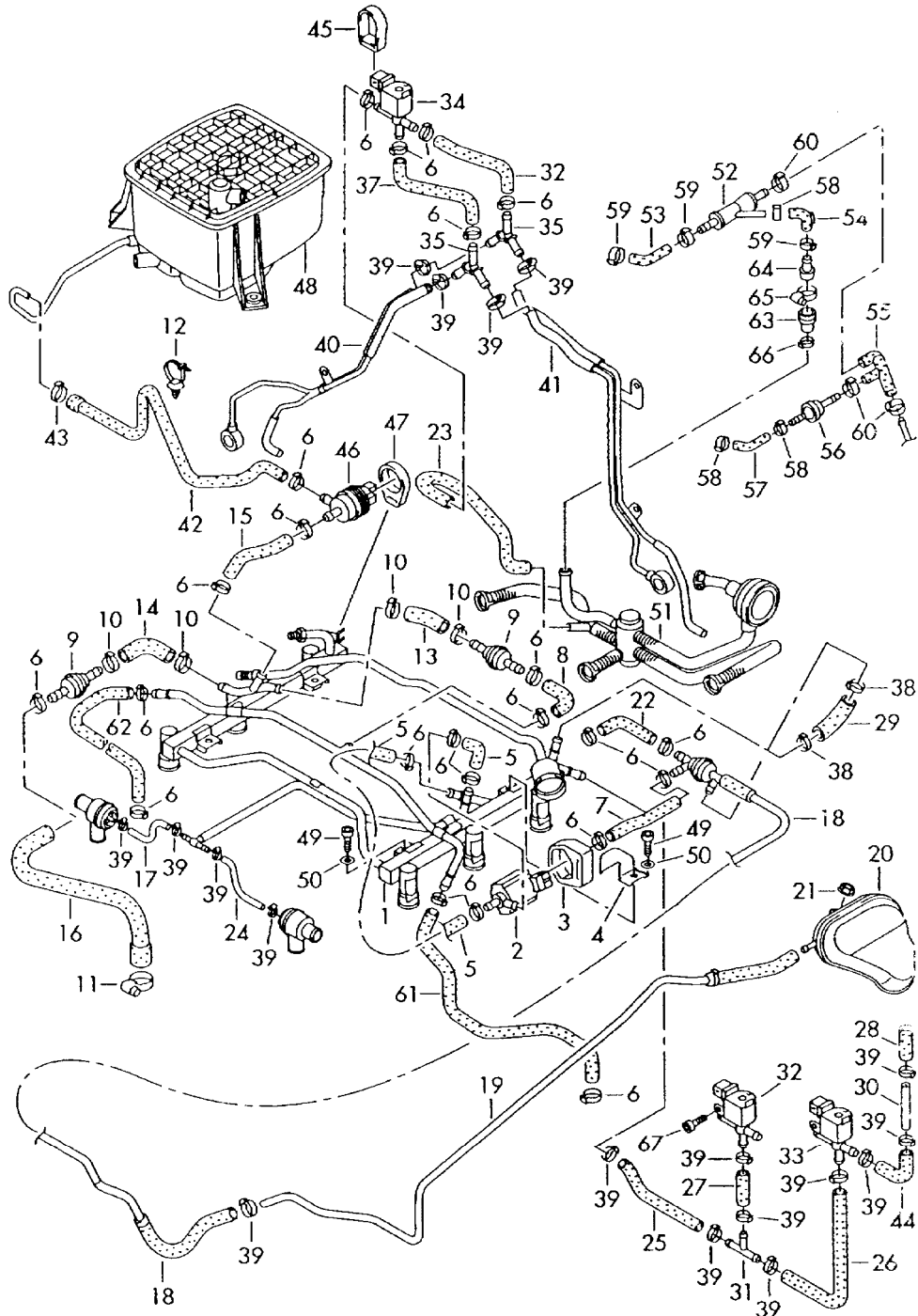
Model	Year	MG	SG	Illustration	Restrictions	UPD	10:59	28.07.2006
RS4	2002	1	33	133-80	Audi RS4 Avant quattro	646	OTHER	

Pos	Part Number	Name	Remarks	Qty	Model
		intake manifold throttle body	2,7ltr.		6 cylinder: ASJ,AZR
1	078 133 201 AM	intake manifold		1	
2	078 129 717 N	gasket		2	
3	+ N 100 801 02	bolt, with hex. socket hd. (combi.)	M6X25	16	
4	077 133 062	throttle body		1	
5	078 133 073 N	gasket		1	
6	078 133 354 AA	intake air duct		1	
7	078 133 148 C	round seal		1	
8	078 133 148 D	round seal		2	
9	038 906 051	thrust sensor		1	
10	N 102 475 01	socket hd. screw with collar	AM6X65	4	
11	078 133 336 A	bracket		1	
12	+ N 010 215 27	screw, hex. hd.	M6X15	1	
13	058 905 379	temperature sensor		1	
14	095 323 969	round seal	9X2	1	
15	+ N 010 215 27	screw, hex. hd.	M6X15	1	
16	N 044 728 2	bolt, with hex. socket hd.	M5X20	2	



ETKA

Model	Year	MG	SG	Illustration	Restrictions	UPD	10:59	28.07.2006
RS4	2002	1	33	133-85	Audi RS4 Avant quattro	646	OTHER	





ETKA

Model	Year	MG	SG	Illustration	Restrictions	UPD	10:59	28.07.2006
RS4	2002	1	33	133-85	Audi RS4 Avant quattro	646	OTHER	

Pos	Part Number	Name	Remarks	Qty	Model
		vacuum system activated carbon filter system suction pump	2,7ltr.		6 cylinder: ASJ,AZR
1	078 133 681 AP	fuel line		1	
2	078 906 283 A	solenoid valve		1	
3	06A 145 726 A	bracket		1	
4	078 145 726 E	bracket		1	
5	078 145 742 BJ	hose		2	
6	N 102 334 01	clamp	16, 2X7X0,6	X	
7	078 145 742 BL	hose		1	
8	078 133 784 BQ	angled hose		1	
9	078 905 291 B	check valve	green	2	
10	+ N 100 980 01	clamp	18,5	X	
11	N 102 019 01	clamp	7X19,4-22,6	X	
12	+ N 906 661 01	tie wrap	4,5X200	X	
13	078 133 784 BR	angled hose		1	
14	078 133 784 BP	angled hose		1	
15	078 133 784 AT	angled hose		1	
16	078 133 784 BG	angled hose		1	
17	078 145 742 AT	hose		1	
18	078 145 733 E	tube-/hose line		1	ASJ
(18)	078 145 733 G	tube-/hose line		1	AZR
19	8D0 201 935 J	vacuum pipe		1	ASJ
(19)	8D0 201 935 M	vacuum pipe		1	AZR
20	8D0 131 541 B	vacuum tank		1	
21	N 904 880 04	hex. nut with washer	M6	2	
22	078 145 742 AN	hose		1	
23	078 133 521 J	hose		1	



ETKA

Model	Year	MG	SG	Illustration	Restrictions	UPD	10:59	28.07.2006
RS4	2002	1	33	133-85	Audi RS4 Avant quattro	646	OTHER	

Pos	Part Number	Name	Remarks	Qty	Model
24	06A 145 718 H	vacuum hose	170MM	1	
		shorten to:	155MM		
-	059 130 329	hose in coils of 5m	3,5X1,9	*	
		'order qty. 5'			
25		shorten to:	130MM	1	
26		shorten to:	100MM	1	
27		shorten to:	30MM	1	
28		shorten to:	1350MM	1	
-	N 103 035 04	hose in coils of 5m	7,3X3,5	*	
		'order qty. 5'			
29		shorten to:	40MM	1	
-	N 020 139 1	tube in coils of 5m	4X1	*	
		'order qty. 5'			
30		shorten to:	660MM	1	
31	2D0 129 737 A	t-piece	4-4-4	1	
31	2D0 129 737 A	t-piece	4-4-4	1	
32		see illustration:	131-12		
33	026 906 283 H	solenoid valve		1	
34	078 906 283 B	solenoid valve		1	
35	078 133 381 B	y-piece	5,5X3X3	2	
36	078 145 742 BD	hose		1	
37	078 145 742 AQ	hose		1	
38	+ N 100 834 01	retaining clip	14,8X6X1	X	
39	+ N 024 528 1	clamp	LC8-12	X	
40		see illustration:	145-77		
41		see illustration:	145-77		
42		see illustration:	201-95		
43	+ N 101 976 01	retaining clip	19,8X6X0,6	X	
44	078 131 179	angled hose		1	



ETKA

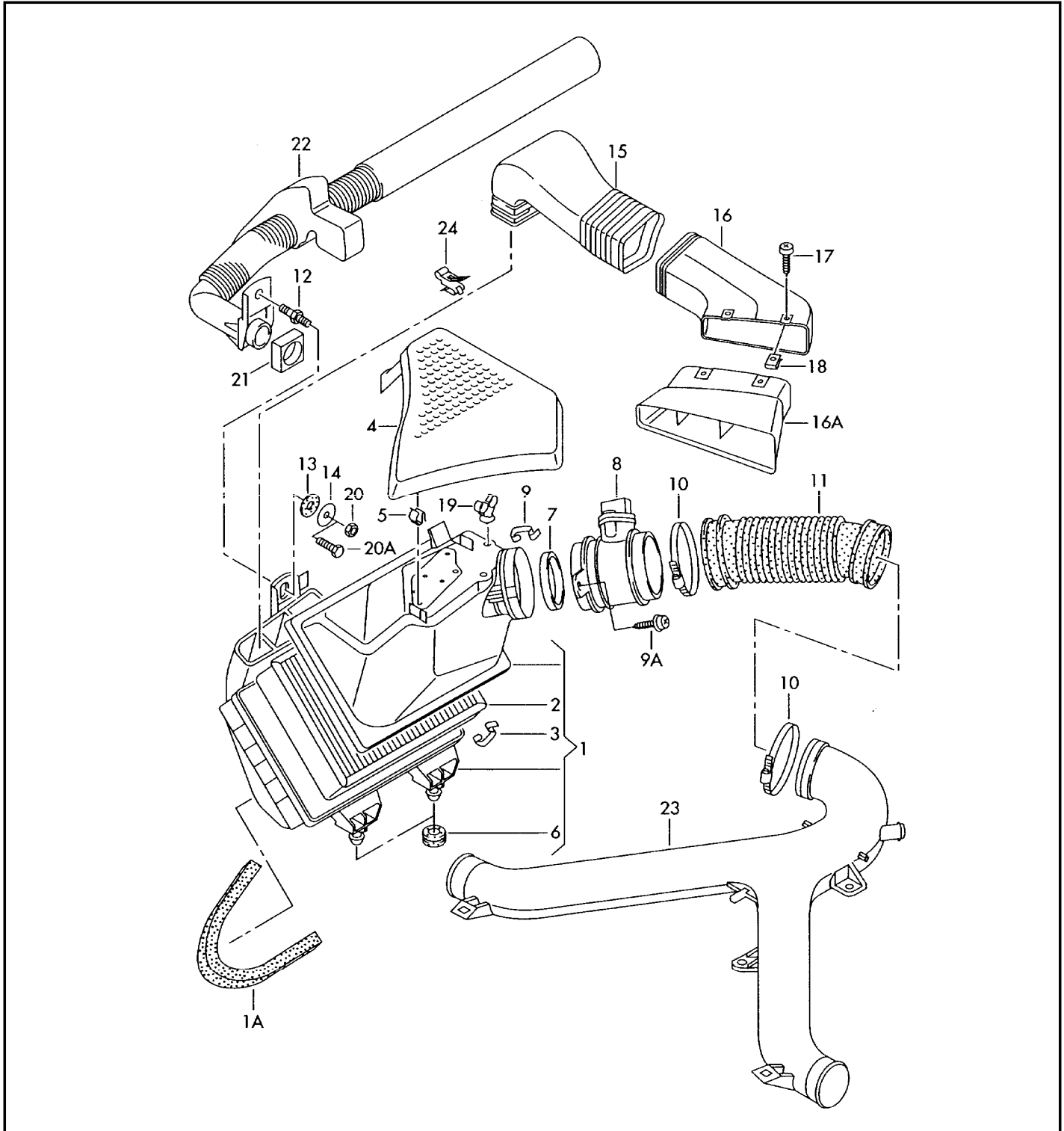
Model	Year	MG	SG	Illustration	Restrictions	UPD	10:59	28.07.2006
RS4	2002	1	33	133-85	Audi RS4 Avant quattro	646	OTHER	

Pos	Part Number	Name	Remarks	Qty	Model
45	078 906 287 D	rubber support ring		1	
46	078 133 517 H	valve		1	
47	078 133 519	rubber support ring		1	
48		see illustration:	201-95		
49	N 014 702 10	bolt, with hex. socket hd.	M6X15	4	
50	+ N 015 276 1	washer	6X12X1,6	4	
51	078 103 235 G	breather hose		1	
52	058 133 753 B	suction pump		1	
53	078 133 783 AD	angled hose		1	
54	078 133 783 AG	angled hose		1	
55	078 133 784 BD	angled hose		1	
(56)	171 611 933	check valve	13/5/5/9-13/12	1	
57	078 133 807 G	connecting hose		1	
58	+ N 102 582 01	clamp	AL12-22	X	
59	N 102 019 01	clamp	7X19,4-22,6	X	
60	+ N 101 976 01	retaining clip	19,8X6X0,6	X	
61	078 133 643 C	connecting hose	left	1	
62	078 133 644 B	connecting hose	right	1	
63	034 103 247 G	valve housing		1	
64	035 103 245 A	bleeder valve		1	
65	+ N 102 581 01	clamp	AL23-35	1	
66	N 102 556 01	retaining clip	23,5X7X0,6	1	
67	N 104 343 01	screw, cheese hd.	M5X10	X	



ETKA

Model	Year	MG	SG	Illustration	Restrictions	UPD	11:02	28.07.2006
RS4	2002	1	33	133-90	Audi RS4 Avant quattro	646	OTHER	





ETKA

Model	Year	MG	SG	Illustration	Restrictions	UPD	11:02	28.07.2006
RS4	2002	1	33	133-90	Audi RS4 Avant quattro	646	OTHER	

Pos	Part Number	Name	Remarks	Qty	Model
		air cleaner with connecting parts mass air flow sensor	2,7ltr.		6 cylinder: ASJ,AZR
1	078 133 837 BQ	air cleaner	KNECHT	1	
1A	8D0 129 636 B	sealing strip		1	
2	058 133 843	air cleaner element		1	
3	078 129 797	retaining clip		4	
4	078 133 849 H	cover		1	
		as required use:	803 959 849	3	
5	803 959 849	bracket		3	
6	8D0 129 669 A	grommet		X	
7	N 909 643 01	round seal	91X6-N	1	
8	>077 133 471 K	mass air flow sensor	BOSCH	1	
(8)	#077 133 471 KX	mass air flow sensor	BOSCH	1	
9A	N 104 541 01	hexagon socket head panel bolt	6X25-R	2	
10	N 024 508 3	clamp	LA80-100	2	
11	078 129 627 P	intake pipe		1	
12	N 905 516 02	double hex. hd. bolt	M6X16-M6X10	1	
13	078 133 217 C	rubber washer	11,5X35X3	1	
14	078 133 217 D	washer	6,4X35X1,5	1	
15	8D0 129 617 D	intake duct		1	
16	078 129 617 D	intake duct		1	
17	N 100 449 03	tapping screw,fill.hd.(combi.)	ST4,2X16 Z2	2	
18	N 015 448 7	speed nut	ST4,2X16,3X11	2	
19		discontinued / replacement:	N 906 661 01		
(19)	+ N 906 661 01	tie wrap	4,5X200	X	
20	+ N 022 148 11	hex. nut, self-locking	VM6	1	
21	078 129 119 B	gasket		1	



ETKA

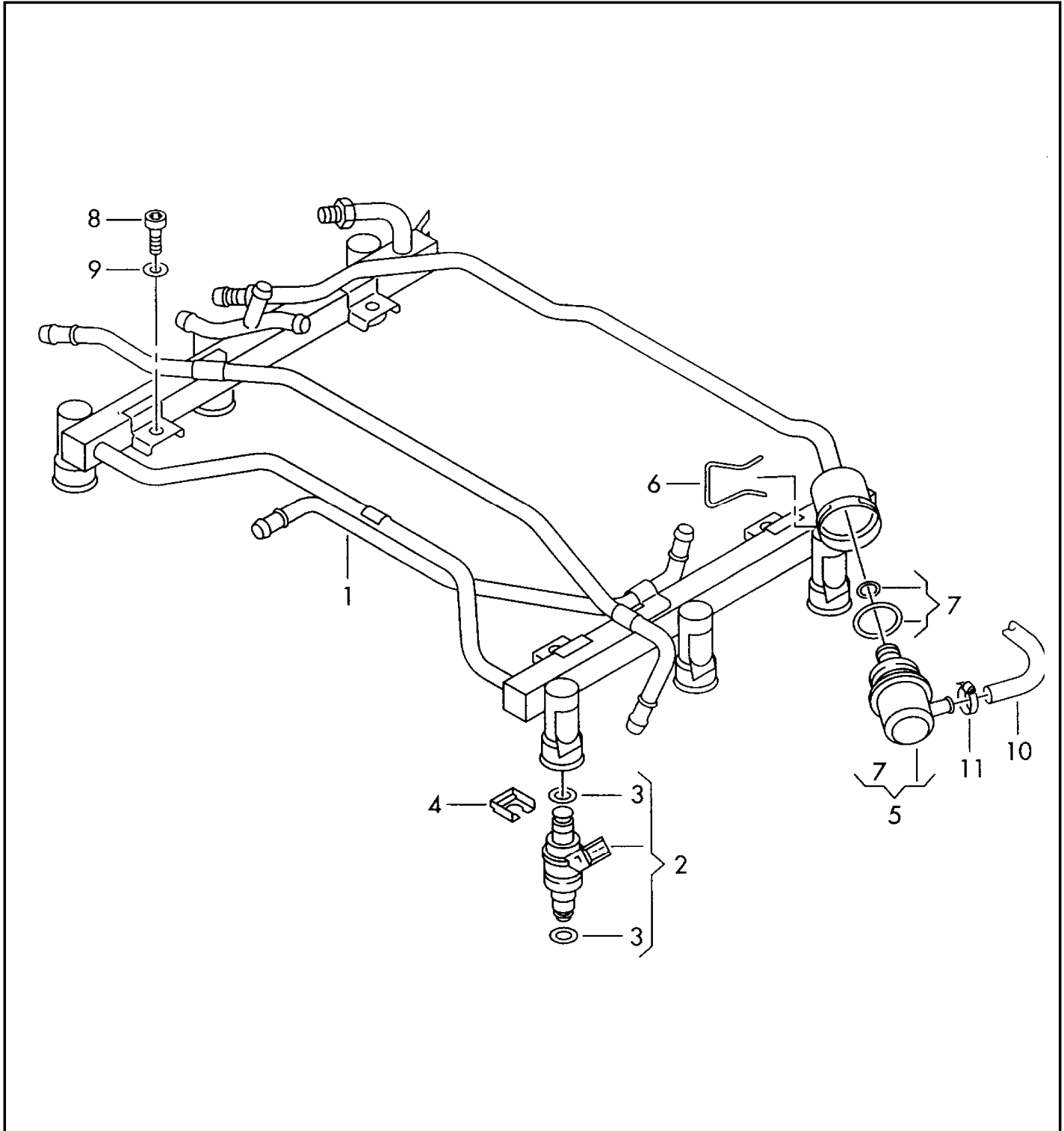
Model	Year	MG	SG	Illustration	Restrictions	UPD	11:02	28.07.2006
RS4	2002	1	33	133-90	Audi RS4 Avant quattro	646	OTHER	

Pos	Part Number	Name	Remarks	Qty	Model
22	078 129 664 C	intake hose		1	
23		see illustration:	145-75		
24	4B3 858 229	retaining clip		1	



ETKA

Model	Year	MG	SG	Illustration	Restrictions	UPD	11:03	28.07.2006
RS4	2002	1	33	133-93	Audi RS4 Avant quattro	646	OTHER	





ETKA

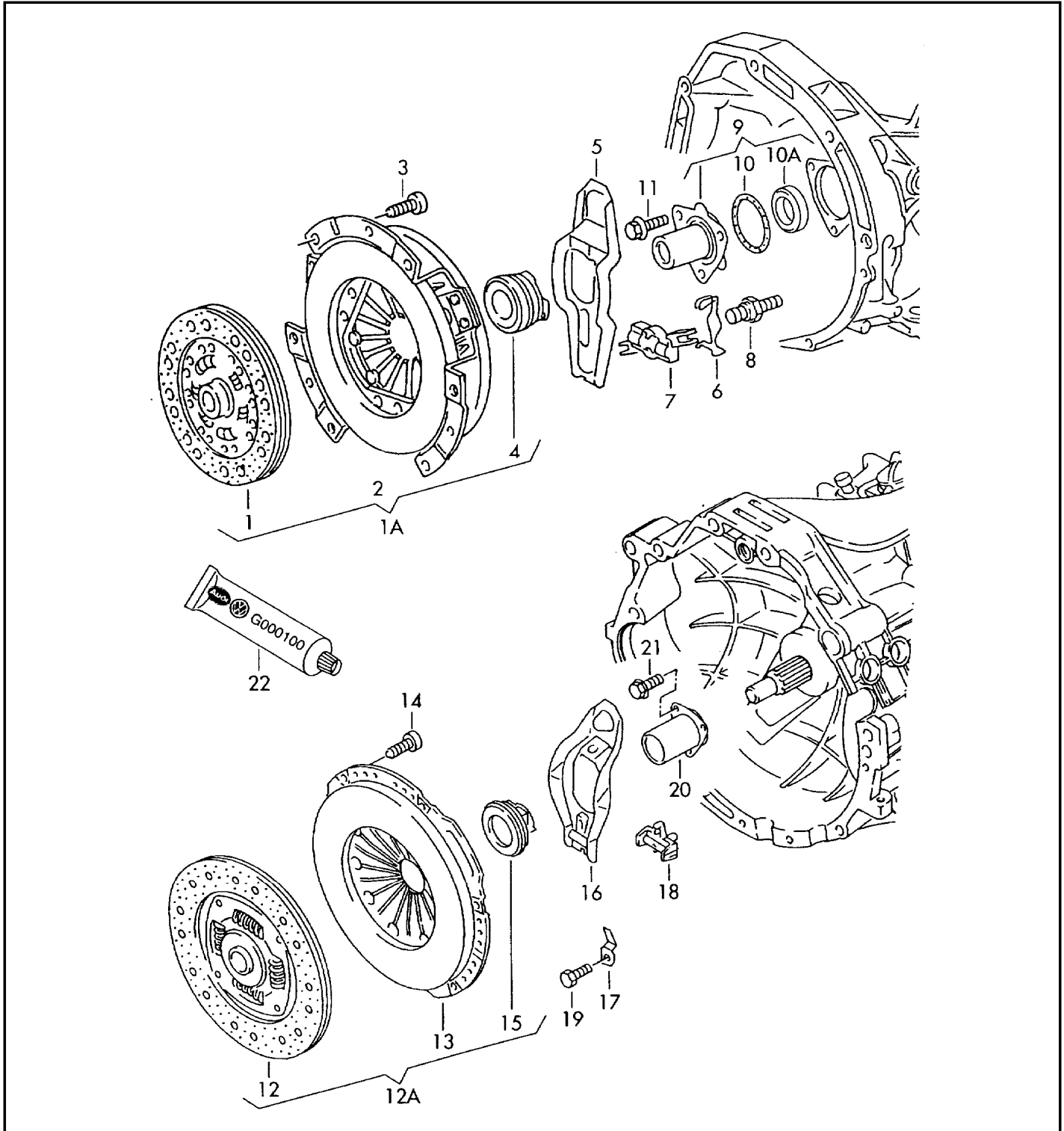
Model	Year	MG	SG	Illustration	Restrictions	UPD	11:03	28.07.2006
RS4	2002	1	33	133-93	Audi RS4 Avant quattro	646	OTHER	

Pos	Part Number	Name	Remarks	Qty	Model
		injector pressure regulator fuel line	2,7ltr.		6 cylinder: ASJ,AZR
1	078 133 681 AP	fuel line		1	
2	078 133 551 BJ	injector	SIEMENS	6	
3	+ 035 906 149 A	round seal	7,52X3,53	12	
4	077 906 037 A	safety clamp		6	
5	078 133 534 C	pressure regulator		1	
6	037 133 047 A	retaining clip		1	
7	037 198 031	gasket set for pressure regulator		1	
8	N 014 702 10	bolt, with hex. socket hd.	M6X15	4	
9	+ N 015 276 1	washer	6X12X1,6	4	
-	N 020 353 27	hose in coils of 5m 'order qty. 5'	3,5X2	*	
10		shorten to:	280MM	1	
11	+ N 024 528 1	clamp	LC8-12	1	



ETKA

Model	Year	MG	SG	Illustration	Restrictions	UPD	11:03	28.07.2006
RS4	2002	1	41	141-10	Audi RS4 Avant quattro	646	OTHER	





ETKA

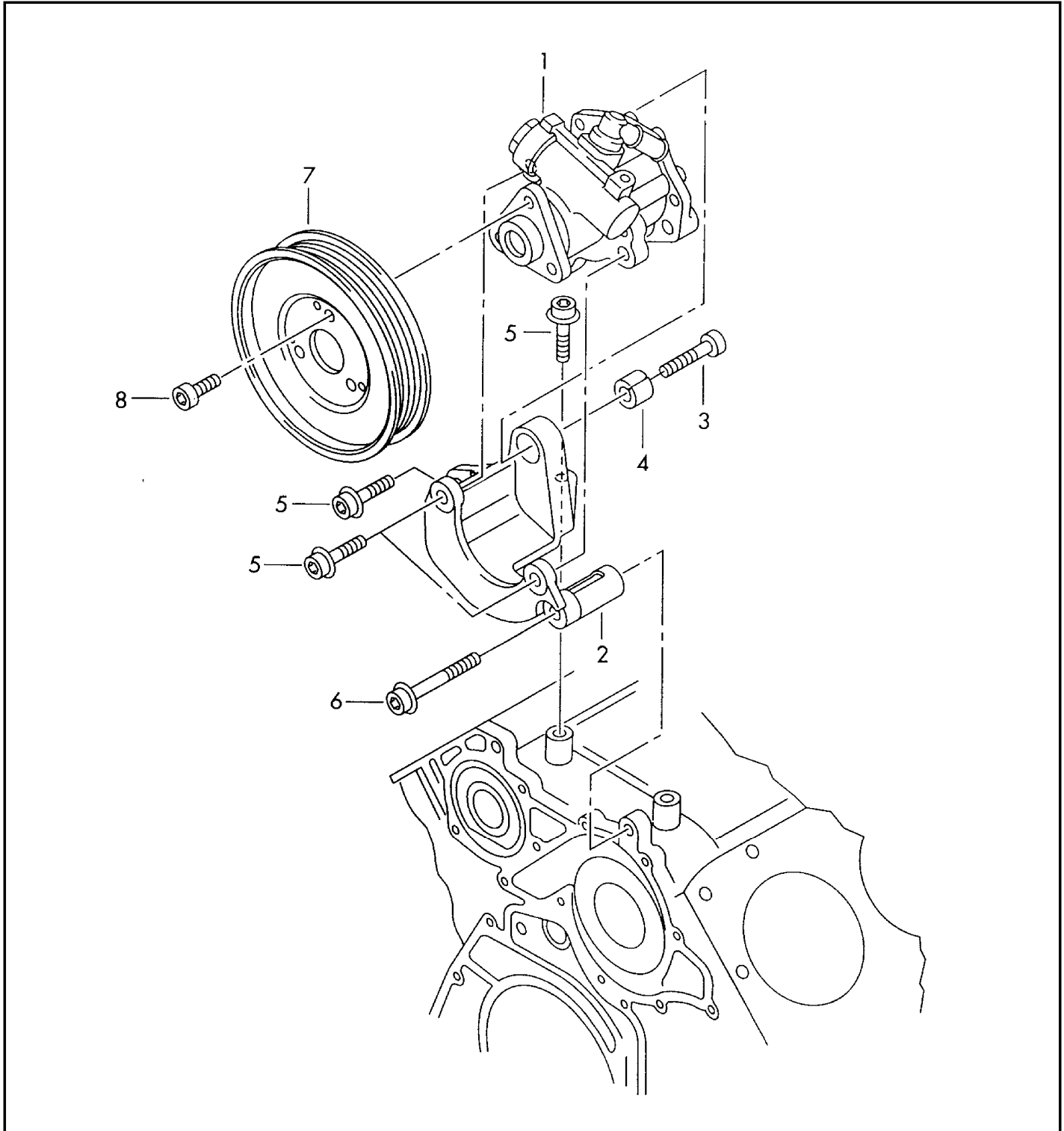
Model	Year	MG	SG	Illustration	Restrictions	UPD	11:03	28.07.2006
RS4	2002	1	41	141-10	Audi RS4 Avant quattro	646	OTHER	

Pos	Part Number	Name	Remarks	Qty	Model
		clutch	6 cylinder 2,7ltr.		ASJ,AZR
12	078 141 031 S	clutch disc	240MM	1	
(12)	078 141 031 SX	clutch disc	240MM	1	
13	078 141 123 GX	clutch pressure plate	240MM	1	
14	+ N 014 739 2	bolt, with hex. socket hd.	M8X16	6	
15	012 141 165 E	release bearing		1	
16	0A2 141 719	clutch operating lever		1	
17	01E 141 721 A	flat spring		1	
18	01E 141 751 A	intermediate piece		1	
19	+ N 903 663 03	screw, cheese hd., self-locking	M8X22	3	
20	01E 141 181 A	guide sleeve		1	
21	+ N 040 203 3	screw, hex. hd.	M7X15	3	
22	G 000 100	grease for clutch plate splines	80G	X	



ETKA

Model	Year	MG	SG	Illustration	Restrictions	UPD	11:04	28.07.2006
RS4	2002	1	45	145-42	Audi RS4 Avant quattro	646	OTHER	





ETKA

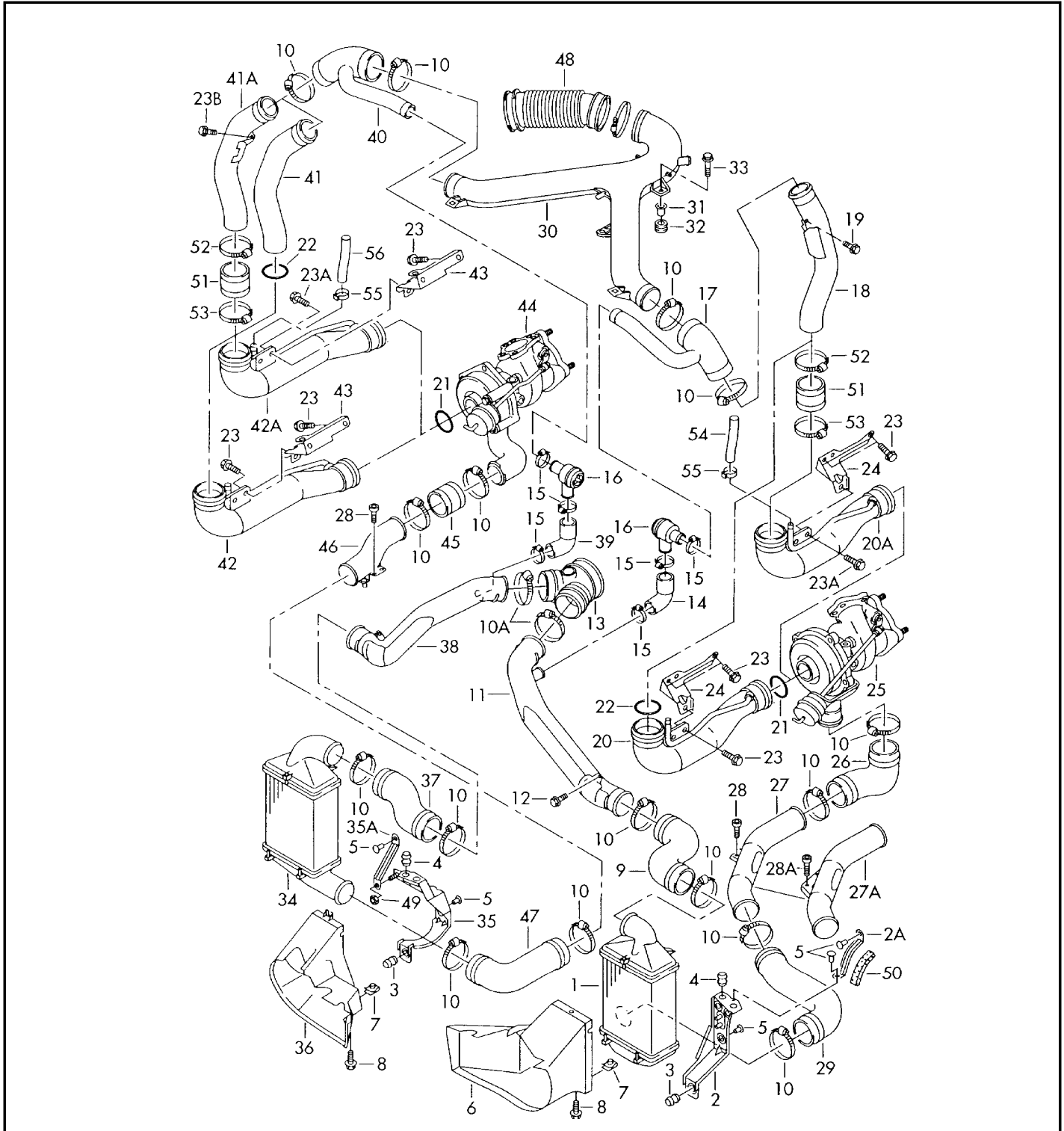
Model	Year	MG	SG	Illustration	Restrictions	UPD	11:04	28.07.2006
RS4	2002	1	45	145-42	Audi RS4 Avant quattro	646	OTHER	

Pos	Part Number	Name	Remarks	Qty	Model
		vane type pump	2,7ltr.		ASJ,AZR
1	#8D0 145 156 NX	vane type pump	ZF	1	
2	078 145 393 B	retainer for vane pump		1	
3	N 014 713 5	bolt, with hex. socket hd.	M8X35	1	
4	068 903 147 H	bushing	8,4X18X19,5	1	
5	N 090 378 2	bolt, with hex. socket hd. (combi.)	M8X25-Z1	4	
6	N 901 442 01	bolt, with hex. socket hd. (combi.)	M8X65Z1	1	
7	078 145 255 H	pulley		1	
8	+ N 903 086 05	socket hd. screw with collar	M8X14	3	



ETKA

Model	Year	MG	SG	Illustration	Restrictions	UPD	11.05	28.07.2006
RS4	2002	1	45	145-75	Audi RS4 Avant quattro	646	OTHER	





ETKA

Model	Year	MG	SG	Illustration	Restrictions	UPD	11:05	28.07.2006
RS4	2002	1	45	145-75	Audi RS4 Avant quattro	646	OTHER	

Pos	Part Number	Name	Remarks	Qty	Model
		charge air cooler	2,7ltr.	1	6 cylinder: ASJ,AZR
(1)	078 145 805 J	charge air cooler	left	1	
2	078 145 813 K	bracket	left	1	
2A	078 145 913 C	reinforcement	left	1	
(2A)	078 145 913 D	reinforcement helper reinforcement	left	1	
3	050 129 669	grommet	15,5/30	2	
4	058 145 824 A	grommet		4	
5	N 904 515 01	rivet	A4,8X6	X	
(6)	8D0 117 335 G	air duct reinforcement for bumper	left	1	
7	+ N 904 190 02	speed nut	M4X15X17,5	4	
8	+ N 905 048 02	bolt, hex. hd. (combi.)	M4X13	4	
9	078 145 745 H	pressure hose	left upper	1	
10	N 024 503 3	clamp	A60-80X13	X	
(10A)	078 133 343 A	clamp	62MM	2	
11	078 145 683 J	pressure pipe	left upper	1	
-.	078 145 432	bushing		1	
		only for:	078 145 432		
12	N 100 829 07	bolt, hex. hd. (combi.)	M6X16-Z1	2	
13		see illustration:	133-80		
14	078 145 671 B	pressure hose	left upper	1	
15	+ N 102 581 01	clamp	AL23-35	X	
16	034 145 710 B	cut-off valve	BOSCH	2	
17	078 133 241 H	connecting hose	left upper	1	
18	078 133 609 G	charge air tube	left upper	1	
19	N 100 829 07	bolt, hex. hd. (combi.)	M6X16-Z1	2	
20A	078 133 609 H	charge air tube	left lower	1	



ETKA

Model	Year	MG	SG	Illustration	Restrictions	UPD	11:05	28.07.2006
RS4	2002	1	45	145-75	Audi RS4 Avant quattro	646	OTHER	

Pos	Part Number	Name	Remarks	Qty	Model
21	078 133 148 E	round seal	45X51	2	
22		not a spare part			
23	N 100 052 04	bolt, hex. hd. (combi.)	M8X18	6	
23A	N 019 519 4	bolt, hex. hd. with shoulder	M8X16	X	
23B	N 100 829 07	bolt, hex. hd. (combi.)	M6X16-Z1	X	
24	078 133 576 A	retaining plate	left	1	
25		see illustration:	145-77		
26	078 145 719 E	pressure hose	rear, lower	1	
27A	078 145 727 E	pressure pipe	left lower	1	
28	N 014 702 10	bolt, with hex. socket hd.	M6X15	3	
28A	N 907 716 01	bolt, with hex. socket hd. (combi.)	M6X20-Z1	2	
(29)	078 145 719 T	pressure hose	left lower	1	
30	078 133 351 F	air distribution housing		1	
31	078 129 734	spacer		3	
32	078 129 669	grommet		3	
33	N 101 894 03	bolt, hex. hd. (combi.)	M6X25Z2	3	
34	078 145 806 J	charge air cooler	right	1	
35	078 145 814 H	bracket	right	1	
35A	078 145 914 A	reinforcement	right	1	
(36)	8D0 117 336 G	air duct	right	1	
37	078 145 745 H	pressure hose	right upper	1	
38	078 145 686 J	pressure pipe	right upper	1	
39	078 145 672 B	pressure hose	right upper	1	
40	078 133 241 G	connecting hose	right upper	1	
41A	078 133 610 G	charge air tube	right upper	1	
42A	078 133 610 H	charge air tube	right lower	1	



ETKA

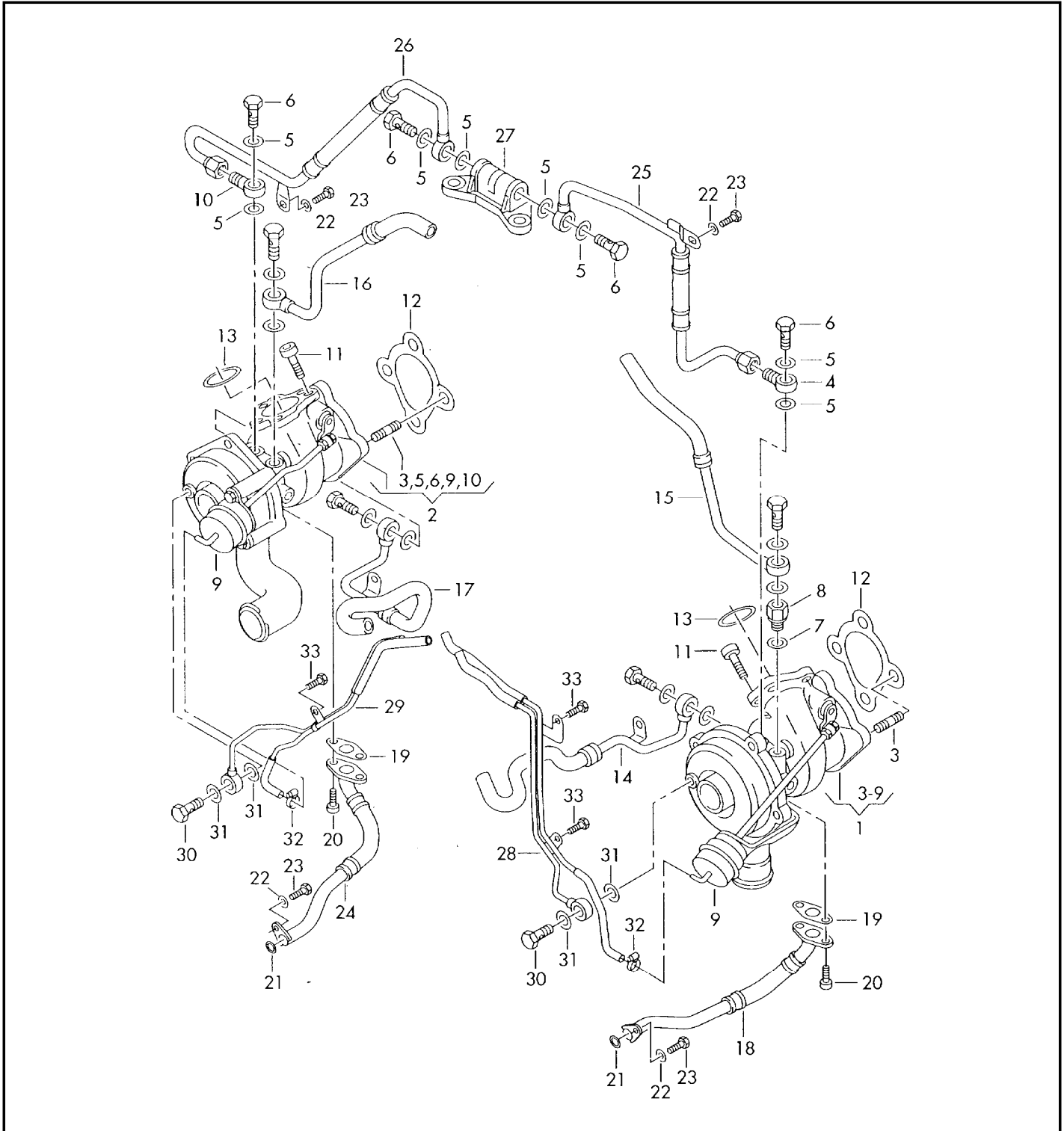
Model	Year	MG	SG	Illustration	Restrictions	UPD	11:05	28.07.2006
RS4	2002	1	45	145-75	Audi RS4 Avant quattro	646	OTHER	

Pos	Part Number	Name	Remarks	Qty	Model
43	078 133 576 D	retaining plate	right	1	
44		see illustration:	145-77		
45	078 145 720 C	pressure hose	rear, lower	1	
46	078 145 728 J	pressure pipe	right lower	1	
(47)	078 145 719 N	pressure hose	front, lower	1	
48		see illustration:	133-90		
49	N 903 675 02	shouldered nut self locking	M6	1	
50	535 853 879 A	protective edging	120MM	1	
		shorten to:	80MM		
51	078 145 719 P	pressure hose		1	
52	+ N 024 504 4	clamp	LC40-60	2	
53	+ N 102 675 01	retaining clip	64X7X0,6	2	
54		see illustration:	133-85	1	
55	N 102 334 01	clamp	16,2X7X0,6	2	
56		see illustration:	133-85	1	



ETKA

Model	Year	MG	SG	Illustration	Restrictions	UPD	11.07	28.07.2006
RS4	2002	1	45	145-77	Audi RS4 Avant quattro	646	OTHER	





ETKA

Model	Year	MG	SG	Illustration	Restrictions	UPD	11:07	28.07.2006
RS4	2002	1	45	145-77	Audi RS4 Avant quattro	646	OTHER	

Pos	Part Number	Name	Remarks	Qty	Model
		exhaust gas turbocharger	2,7ltr.		6 cylinder: ASJ,AZR
(1)	#078 145 703 MX	exhaust gas turbocharger	left	1	
(2)	#078 145 704 MX	exhaust gas turbocharger	right	1	
		also use:	N 907 787 01	4	
		shield	see illustration:		
			253-70		
3	N 907 787 01	stud with shoulder	M10X23,5	8	
4	N 903 307 01	adapter	8X12	1	
5	+ N 013 818 2	sealing washer	A12X16	8	
(5)	N 907 773 01	round seal oil pipe distributor	12X2,5	2	
6	N 021 071 5	banjo bolt	LL8 3 holes	4	
(6)	N 100 841 02	bolt, with hex. socket hd. (combi.) oil pipe distributor	M6X16-S4-N	1	
7	N 013 814 4	sealing washer	A14X18	2	
-	078 133 148 E	round seal	45X51	1	
8	078 145 175 B	adapter		1	
9		not a spare part			
10	078 145 142 A	adapter		1	
11		see illustration:	253-29		
12		see illustration:	253-79		
13	078 145 039	sealing washer		2	
14		see illustration:	121-68		
15		see illustration:	121-68		
16		see illustration:	121-68		
17		see illustration:	121-68		



ETKA

Model	Year	MG	SG	Illustration	Restrictions	UPD	11:07	28.07.2006
RS4	2002	1	45	145-77	Audi RS4 Avant quattro	646	OTHER	

Pos	Part Number	Name	Remarks	Qty	Model
18	078 145 735 E	oil return line	left lower	1	
19	058 145 757 C	gasket		2	
20	N 014 702 10	bolt, with hex. socket hd.	M6X15	4	
21	078 145 757	round seal	17,5X2,5	2	
22	+ N 011 524 23	washer	A6,4X12,5X1,6	2	
23	+ N 010 215 27	screw, hex. hd.	M6X15	2	
24	078 145 736 D	oil return line	right lower	1	
25	078 145 777 E	oil pipe	feed	1	
26	078 145 778 E	oil pipe	feed	1	
27		see illustration:	103-10		
28	078 145 718 P	pressure controlline	left	1	
29	078 145 718 L	pressure controlline	right	1	
30	N 901 836 03	banjo bolt	LL3-5	2	
31	+ N 013 807 6	sealing washer	A8X11,5	4	
32	+ N 024 528 1	clamp	LC8-12	2	
33	N 014 701 8	bolt, with hex. socket hd.	M6X12MK	3	



ETKA

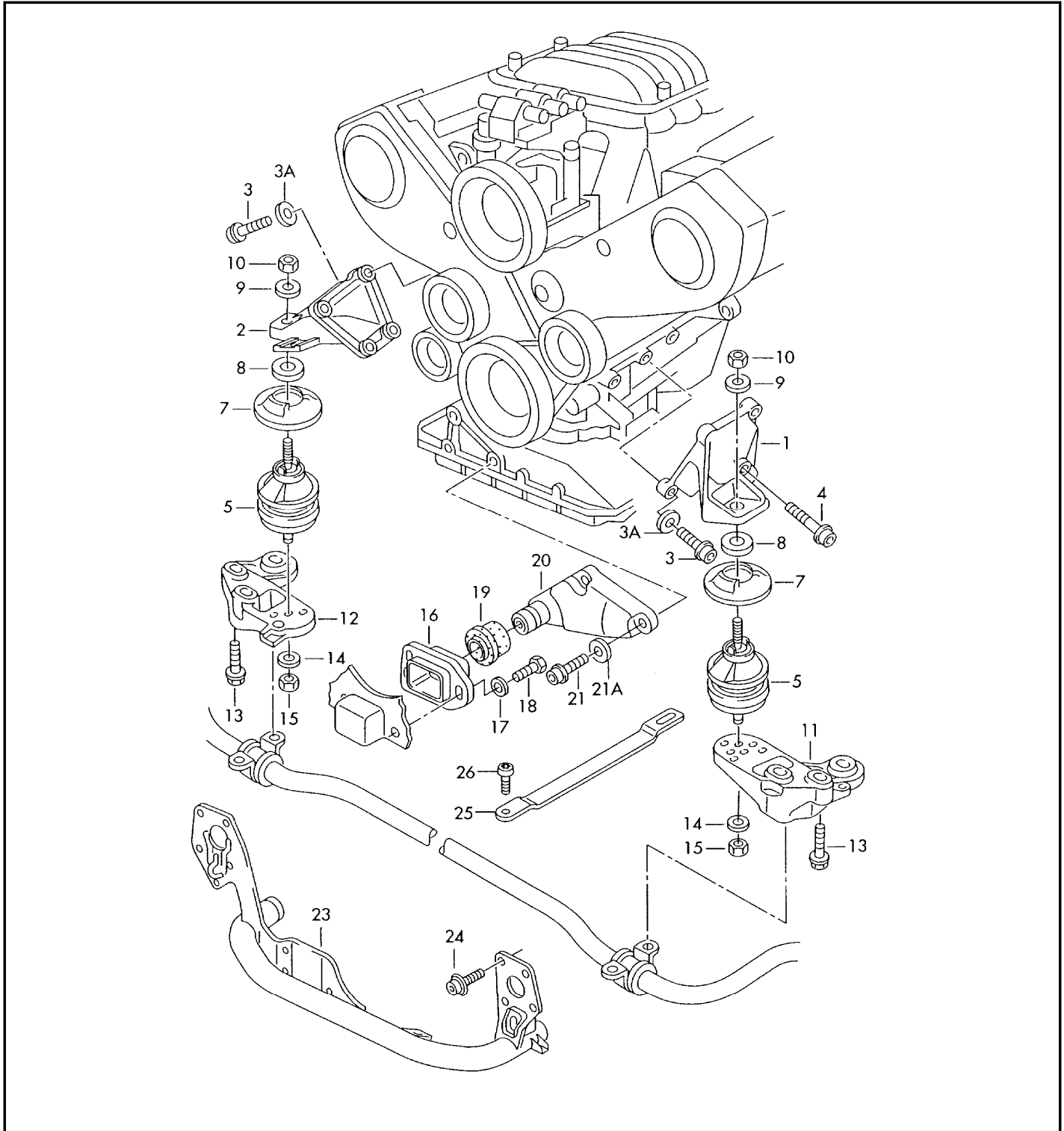
Model	Year	MG	SG	Illustration	Restrictions	UPD	11:08	28.07.2006
RS4	2002	1	98	198-00R	Audi RS4 Avant quattro	646	OTHER	

Pos	Part Number	Name	Remarks	Qty	Model
	>>078 198 025	set of gaskets for cylinder head cover comprising:			
	>>037 198 031	gasket set for pressure regulator comprising:			
	>>078 198 151 D	1 set of piston rings comprising:	81		
	>>058 198 217	set of gaskets for tensioner-chain/camshaft adjuster unit comprising:			
	>>078 198 401 D	1 set of connecting rods comprising:			
	>>078 198 421	1 set of thrust washers comprising:			
	>>057 198 491	1 set of crankshaft bearings comprising:			



ETKA

Model	Year	MG	SG	Illustration	Restrictions	UPD	11:09	28.07.2006
RS4	2002	1	99	199-40	Audi RS4 Avant quattro	646	OTHER	





ETKA

Model	Year	MG	SG	Illustration	Restrictions	UPD	11:09	28.07.2006
RS4	2002	1	99	199-40	Audi RS4 Avant quattro	646	OTHER	

Pos	Part Number	Name	Remarks	Qty	Model
		securing parts for engine	2,7ltr.		6 cylinder: ASJ,AZR
(1)	8D0 199 307 R	support	left	1	
(2)	8D0 199 308 AC	support	right	1	
(3)	N 014 723 6	bolt, with hex. socket hd.	M10X30	7	
-	+ N 011 560 8	washer	10,5X18X1,6	7	
(4)	N 903 151 02	bolt, with hex. socket hd. (combi.)	M10X80X45	1	
(5)	8D0 199 379 AD	hydro-mounting		2	
7	8D0 199 469 A	cap for bonded rubber mounting		2	
8	N 906 467 01	washer	B8,4X29X1,6	2	
(10)	+ N 015 083 11	shouldered hex. nut	M8	2	
11	8E0 199 351 F	bracket	left	1	
12	8E0 199 352 D	bracket	right	1	
13	+ N 906 630 01	bolt,hex.hd.with shoul.(combi)	AM10X70-SW18	4	
14	N 900 577 03	washer	8,4X21X2	2	
15	+ N 011 008 30	hex. nut	M8	2	
16	8D0 199 335 S	stop	front	1	
17	+ N 015 401 3	washer	8,4X21X4	3	
18	+ N 010 241 18	screw, hex. hd.	M8X22	3	
19	8D0 199 339 E	buffer		1	
20	8D0 199 343 N	support		1	
(21)	N 014 723 6	bolt, with hex. socket hd.	M10X30	3	
-	+ N 011 560 8	washer	10,5X18X1,6	3	