



Vehicle

System

Repair Group

Previous Topic

Next Topic

Technical
Bulletins

Wiring Diagrams

Warnings &
Cautions

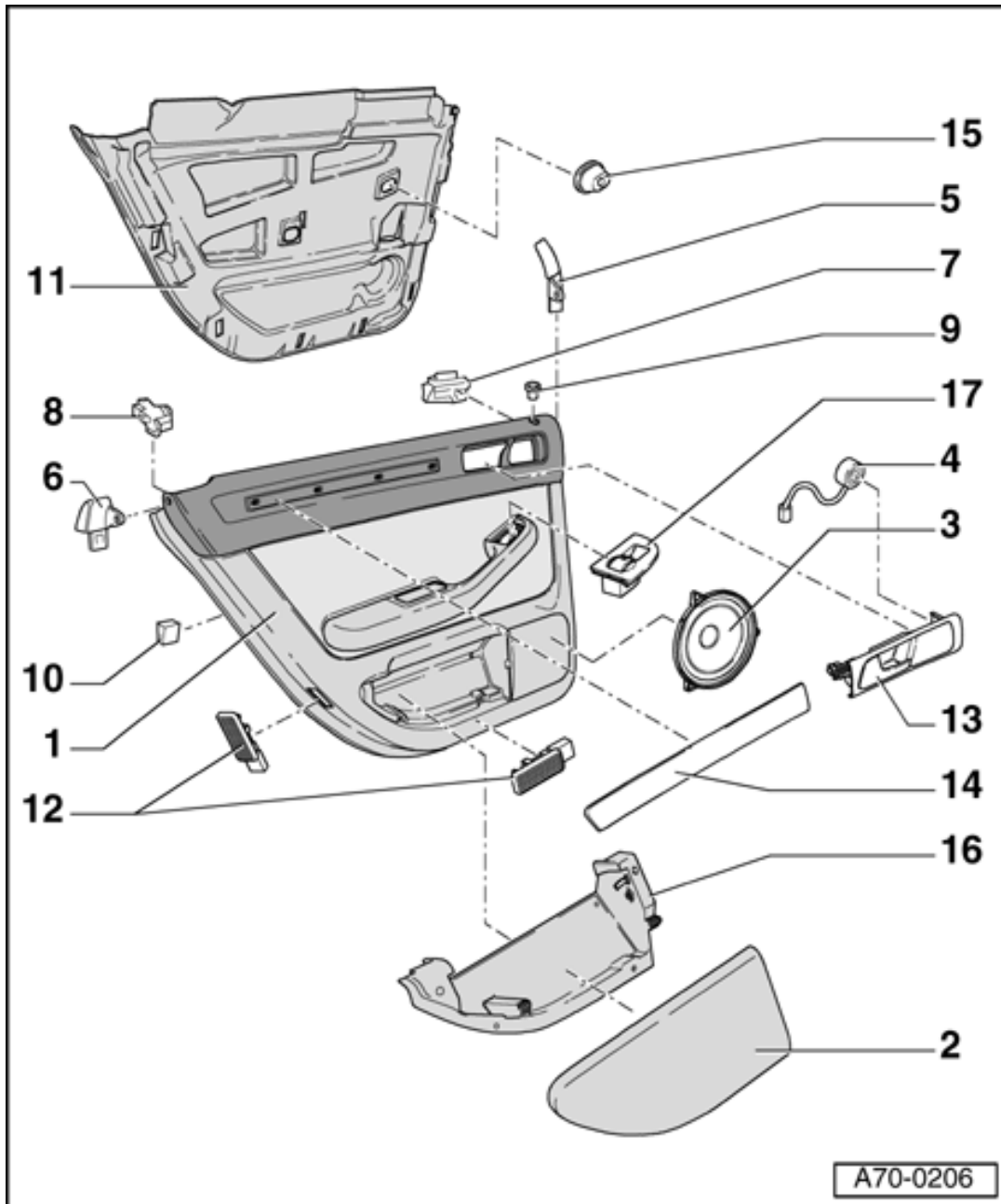
Print



Search

Advanced
Search

eBahn®
Version: 2.5r01sp0003



Rear door trim

Component locations, overview

1 - Door trim

Removing ⇒ [Page 70-31](#)

2 - Hinged pocket

Removing ⇒ [Page 70-45](#)

3 - Loudspeaker

Removing ⇒ [Page 70-40](#)

4 - Treble loudspeaker

Removing ⇒ [Page 70-41](#)

5 - Inner connecting piece

6 - Outer connecting piece

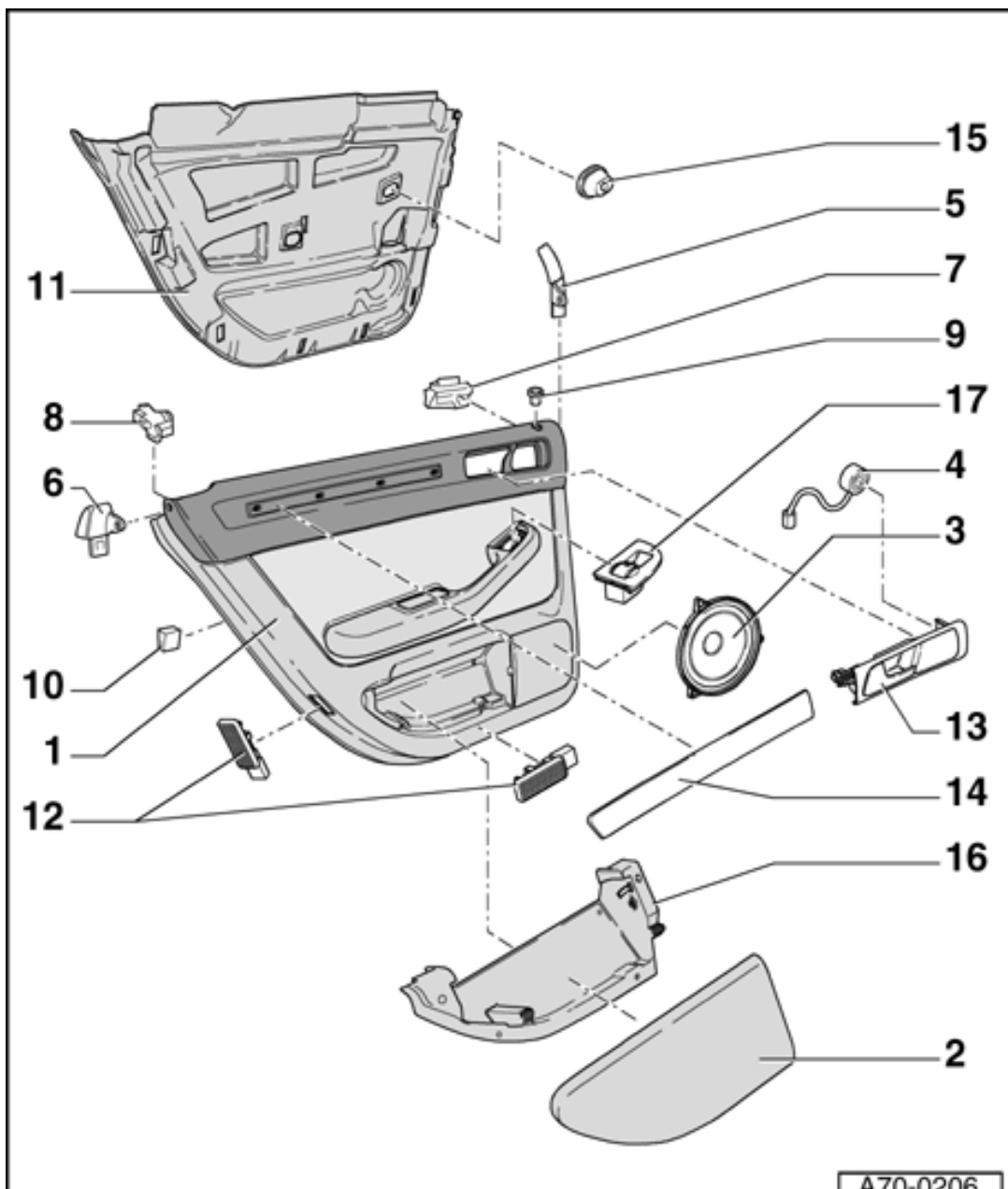
7 - Inner filler piece

8 - Outer filler piece

A70-0206

Audi A6 Sedan 1998-2004, Audi A6 Avant 1999-2004, Audi allroad quattro 2001-2004, Audi S6 Avant 2002-2004, Audi RS6 2003-2004 - Body Interior

70-30



9 - Guide for locking knob

10 - Clip locator

11 - Insulation

Removing and installing ⇒ [Page 70-36](#)

12 - Door warning light

Removing ⇒ [Page 70-39](#)

13 - Interior door handle

Removing ⇒ [Page 70-43](#)

14 - Trim panel

Removing ⇒ [Page 70-42](#)

15 - Foam seal

16 - Mount for hinged pockets

17 - Window regulator switch unit

A70-0206

Removing ⇒ [Page](#)
[70-34](#)

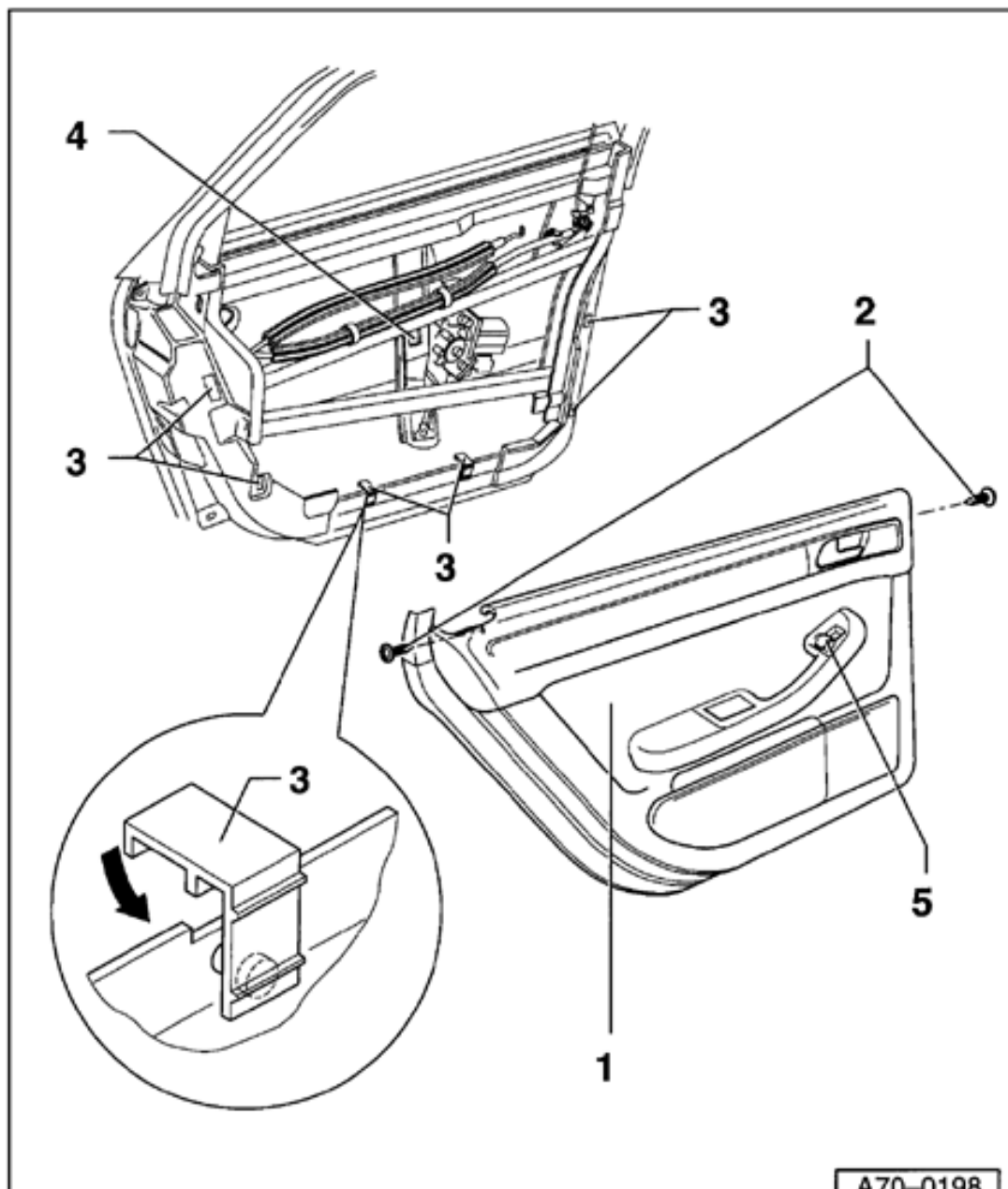
70-31



Rear door trim, removing and installing

1 - Door trim

- Remove screws - 2- (2x) from door trim -1-.
- Remove window regulator switch unit -5- ⇒ [Page 70-34](#) .
- Lift door trim about 20 cm upward and remove from door.
- Detach Bowden cable for interior door handle ⇒ [Fig. 1](#) .
- Disconnect electrical connectors ⇒ [Fig. 2](#) .

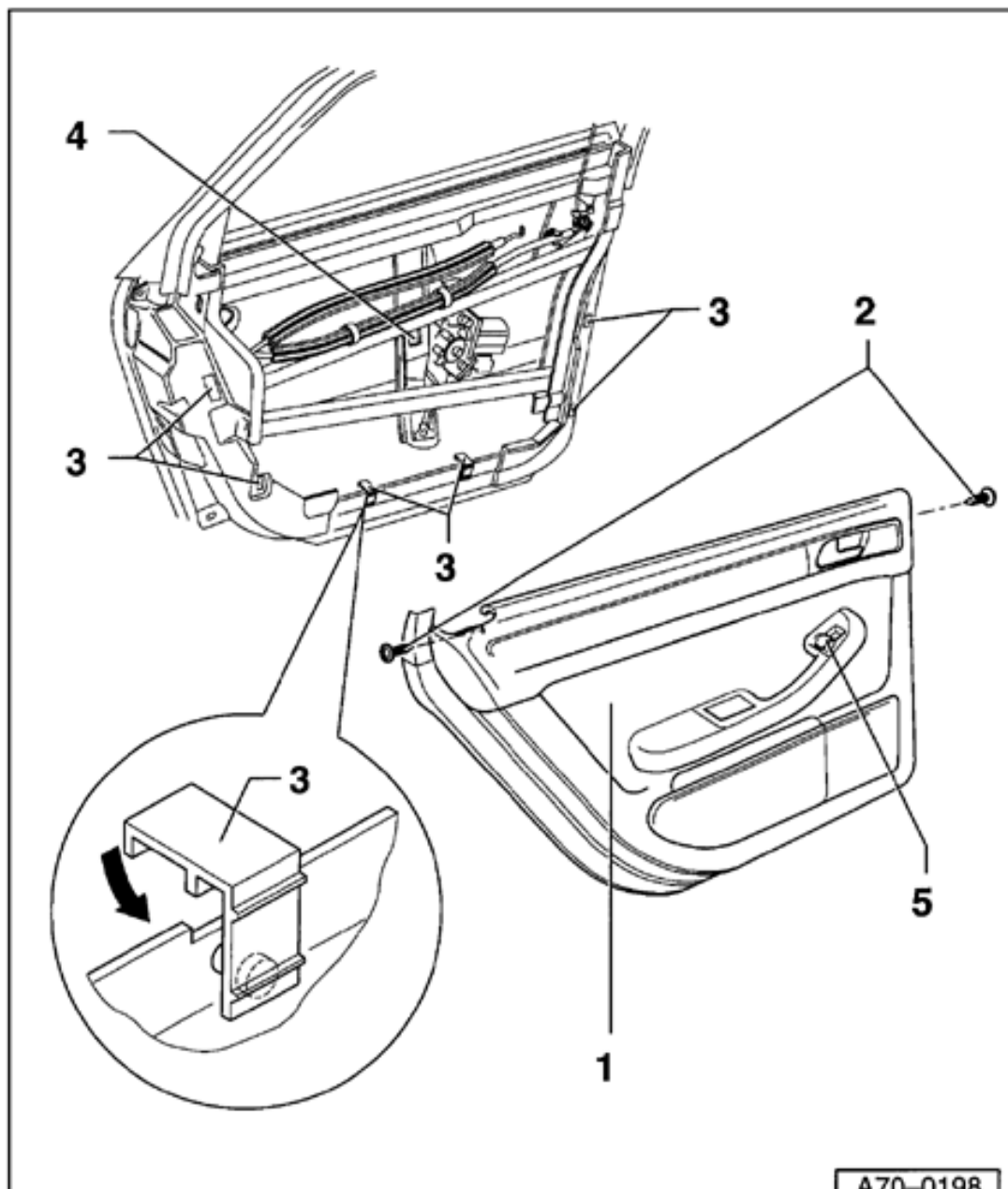


Clip locators -3- (6x) and -4-

A70-0198

(1x) must be clipped in place
when installing door trim.

70-32



When installing, press center of door trim onto door.

2 - Screws (2x)

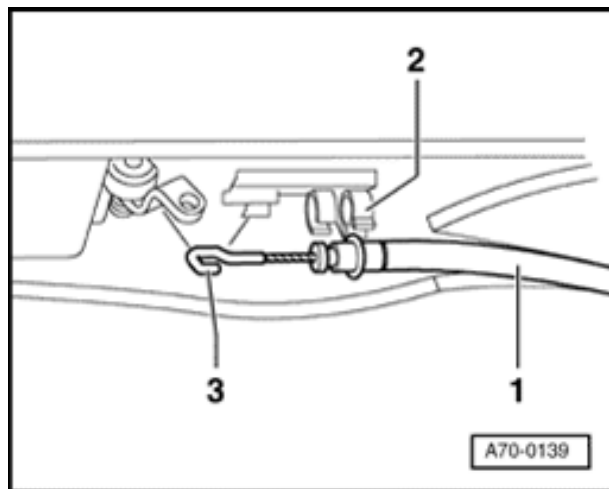
◆ Tightening torque:
1.5 Nm (13 in lb)

3 - Clip locators

4 - Clip locators

**5 - Window regulator
switch unit**

A70-0198

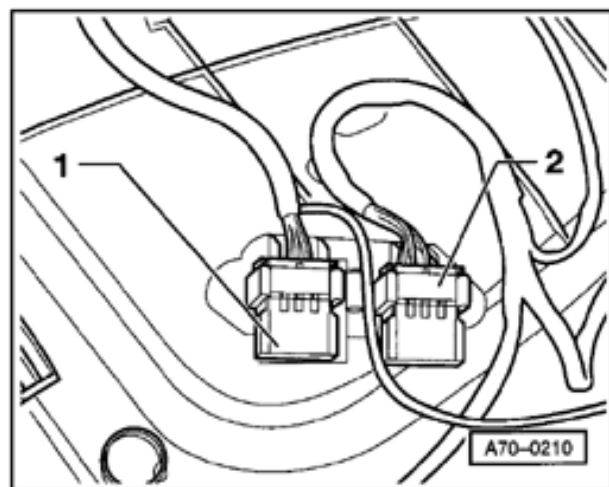


◀ **Fig. 1 Detaching Bowden cable**

- Pull Bowden cable -1- out of guide -2- and detach.

Note:

When installing, make sure hook -3- is facing upward.



◀ **Fig. 2 Disconnecting electrical connectors**

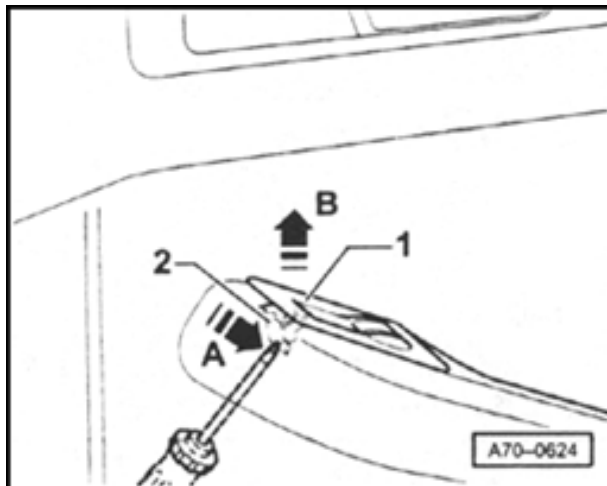
- Disconnect connector for door warning light - 2-.
- Disconnect connector for loudspeaker - 1-.

70-34



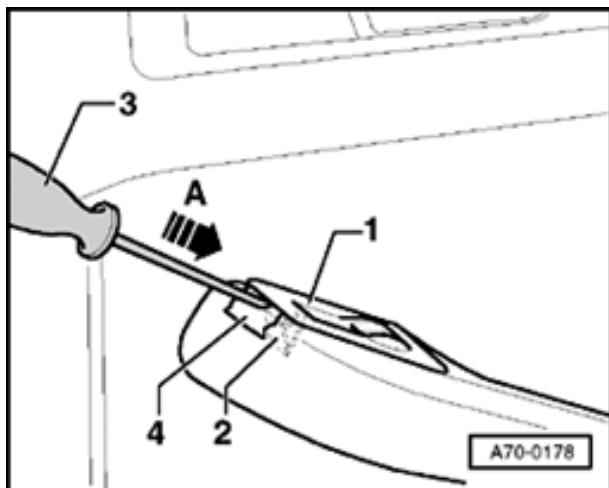
Window regulator switch unit, removing and installing

For vehicles with hole on underside:



- Insert screwdriver -3- in hole.
- Use screwdriver -3- to press retainer -2- in direction of -arrow A-.
- Remove window regulator switch unit -1- in direction of -arrow B-.

For vehicles without hole on underside:

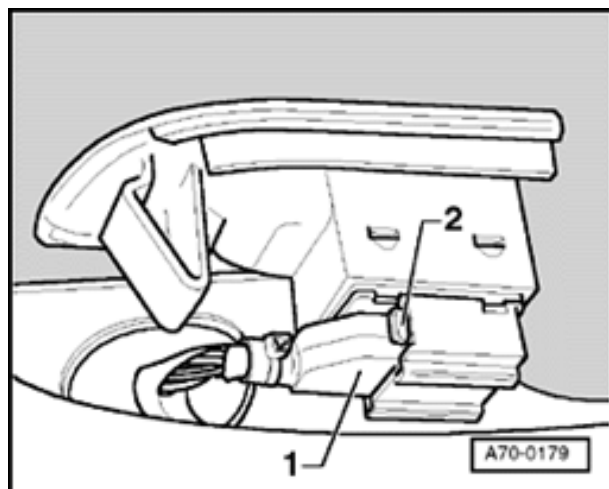


- Mask door trim with adhesive tape - 4-
- Use screwdriver -3- to press retainer -2- in direction of -arrow A-
- Remove window regulator switch unit -1- in direction of arrow.

70-35



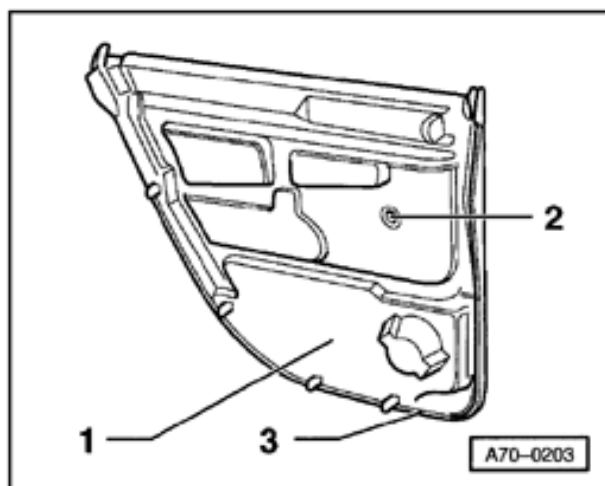
For all vehicles:



- ◀ - Press retainer tab -2- and disconnect connector -1-.



Rear door trim insulation, removing and installing

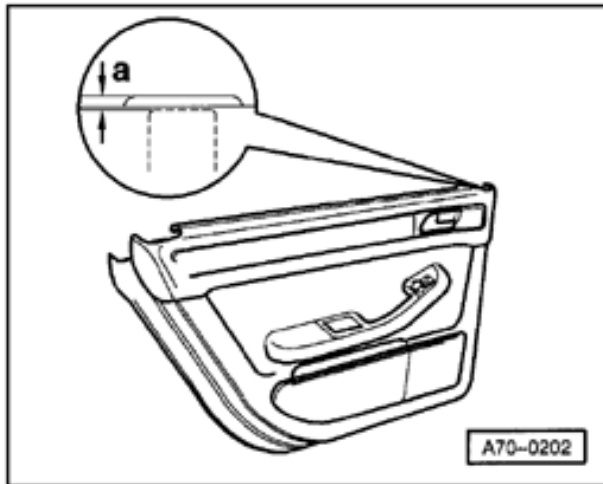


- Insulation -1- must be installed all around inside door trim.
- When removing or installing, make sure insulation -1- is not damaged by clip locators or electrical connectors.
- Wiring cover -2-.
- Press on insulation around sealing lip -3-.

70-37



Locking knob, adjusting



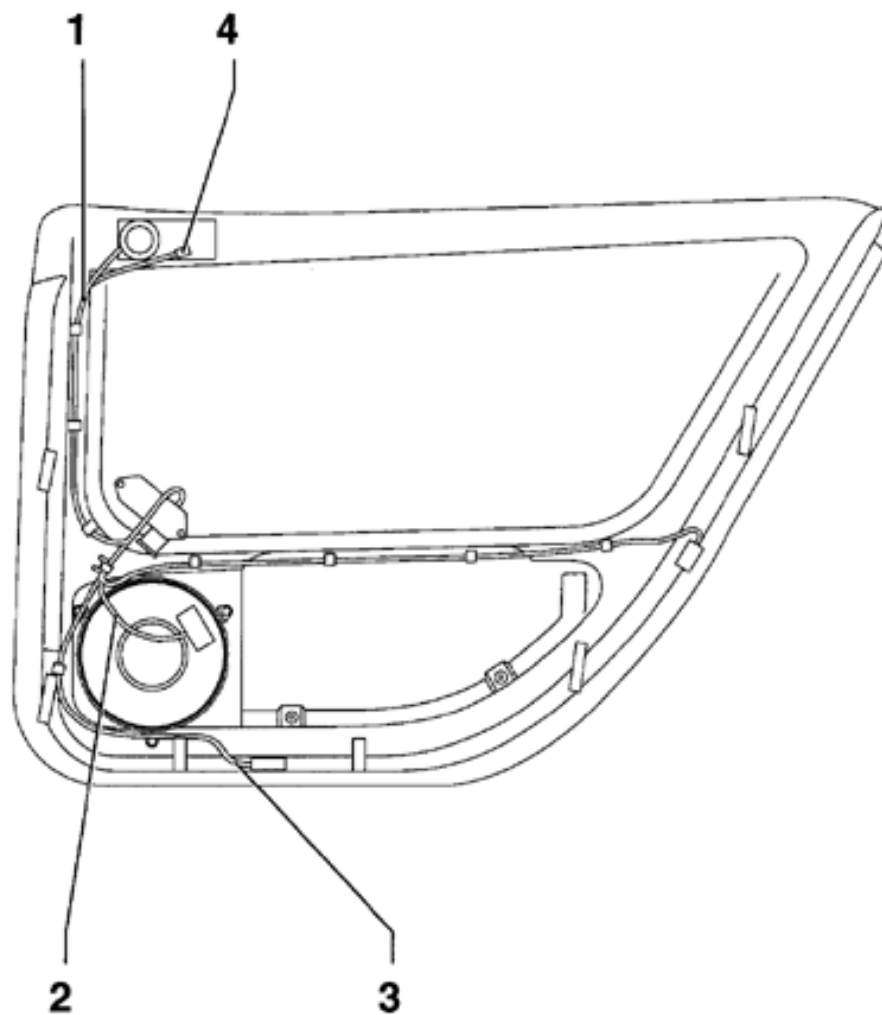
- When in "locked" position, locking knob must not project from door trim (distance -a- = 0 to 2 mm below surface).

70-38



Wiring in door trim, routing

- 1 - Wiring to treble loudspeaker
- 2 - Wiring to bass loudspeaker
- 3 - Wiring to door warning lights
- 4 - Wiring to interior door handle light

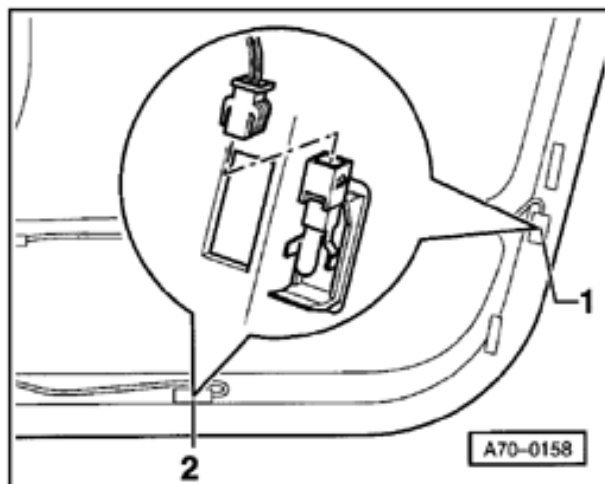


A70-0211

70-39



Door warning light and footwell light, removing and installing

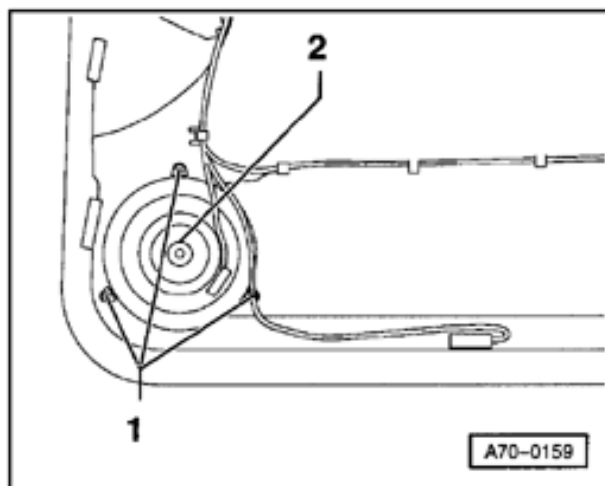


- Use screwdriver to pry out door warning light -1- from underneath and pull outward together with wiring.
- Disconnect door warning light - 1-.
- Use screwdriver to pry out footwell light -2- from front and pull outward together with wiring.
- Disconnect footwell light - 2-.



Bass loudspeaker, removing

- Remove door trim ⇒ [Page 70-31](#) .
- Remove insulation ⇒ [Page 70-36](#) .



- Remove screws -1- (3x).
Tightening torque: 1.5 Nm (13 in lb)
- Detach bass loudspeaker -2- and disconnect electrical connector(s).

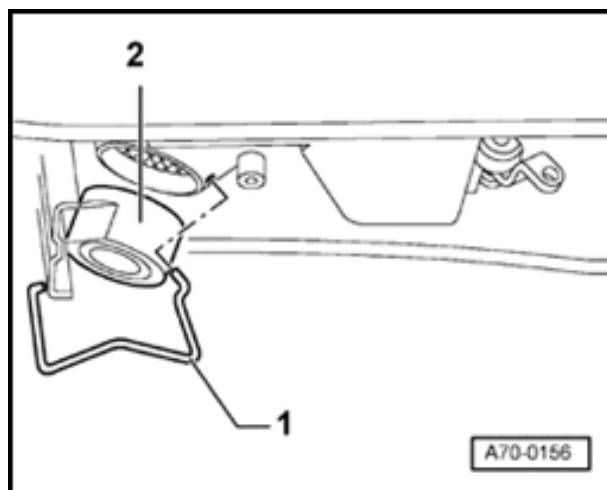
70-41



Treble loudspeaker, removing and installing

- Remove door trim ⇒ [Page 70-31](#) .

- Remove insulation ⇒ [Page 70-36](#) .



- Use screwdriver to detach clip - 1-.

- Remove treble loudspeaker - 2-.

- Detach wiring harness from door trim as far as bass loudspeaker.

70-42



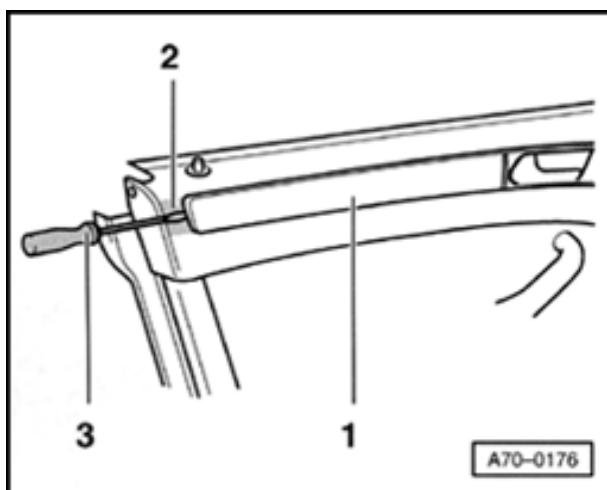
Trim panel in door trim, removing

With door trim installed:

- Mask door trim with adhesive tape -2- and use screwdriver -3- to pry out trim panel -1-.

With door trim removed:

- Push out trim panel from behind by pressing retaining pins.

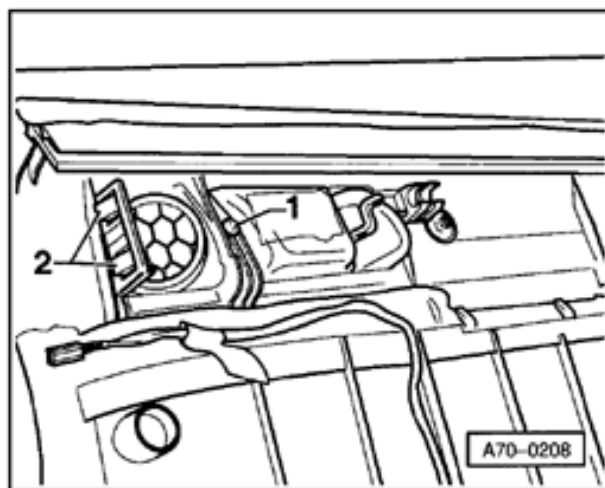


70-43



Interior door handle, removing

- Remove door trim ⇒ [Page 70-31](#) .
- Remove treble loudspeaker ⇒ [Page 70-41](#) .
- Remove screw - 1-.
- Press retainers -2- (2x) and remove interior door handle from the front.

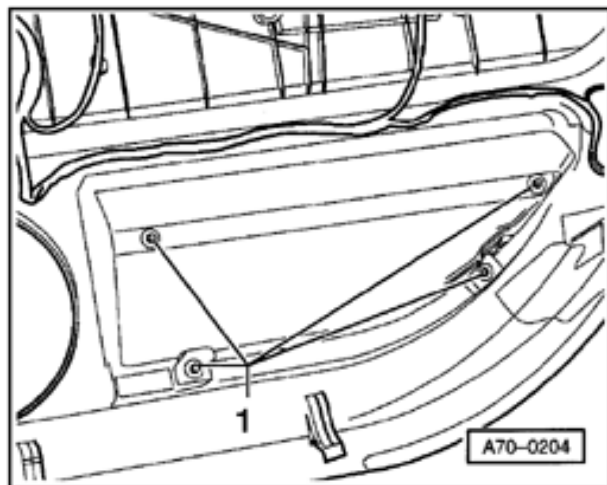


70-44



Hinged pocket assembly, removing and installing

- Remove door trim ⇒ [Page 70-31](#) .
- Remove insulation ⇒ [Page 70-36](#) .
- ◀ - Remove screws -1- (4x).



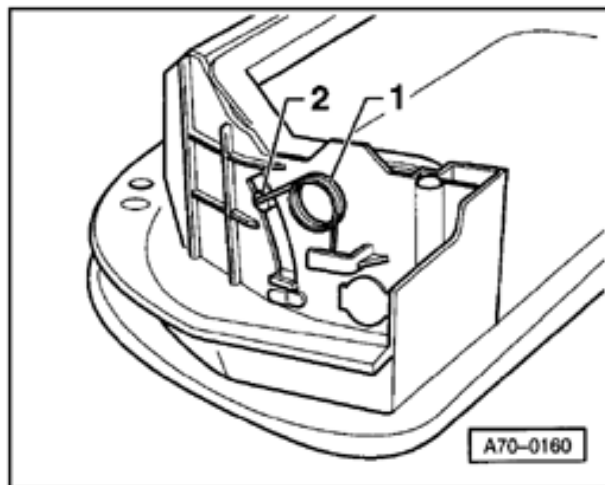
70-45



Hinged pocket, removing and installing

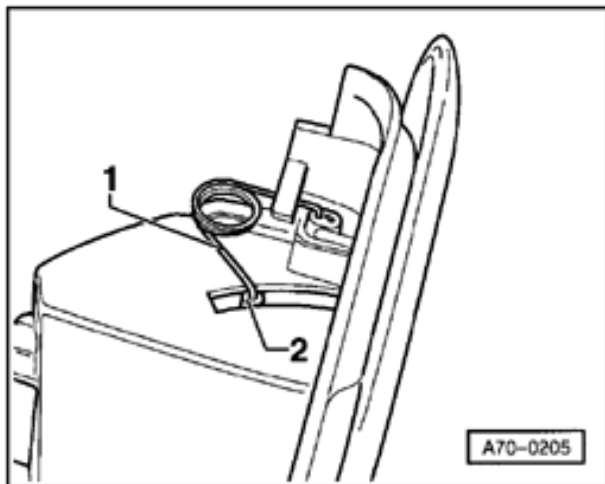
Removing

- Remove door trim ⇒ [Page 70-31](#) .



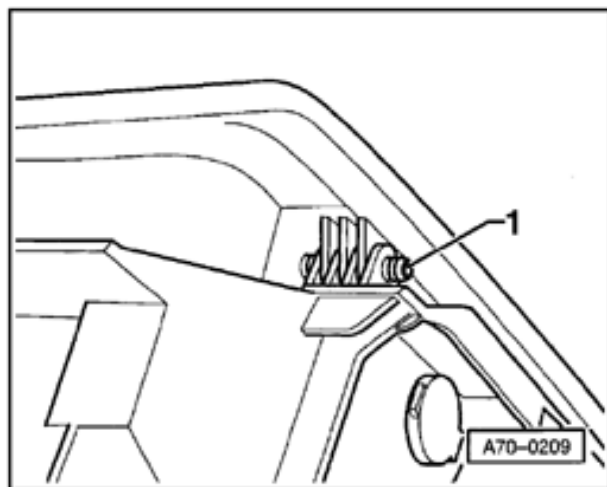
- Remove hinged pocket assembly ⇒ [Page 70-44](#) .

- Detach spring -1- from guide - 2-.

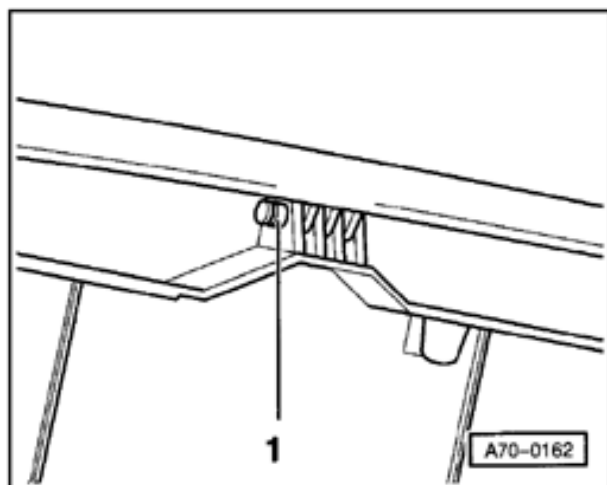


- ▲ - Detach spring -1- from guide -
2-.

70-46

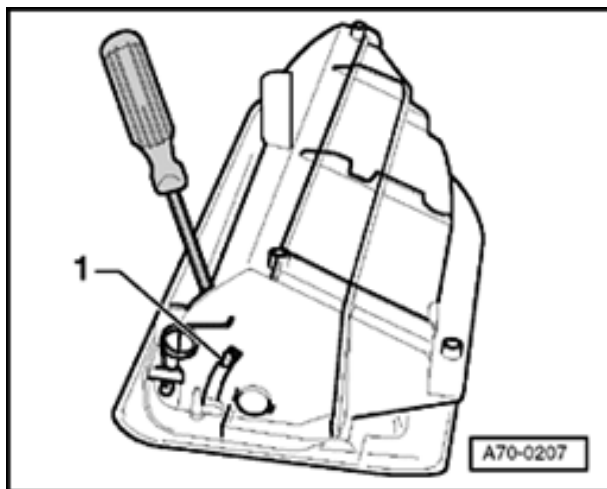


- ◀ - Use screwdriver to press pin -1- outward as far as it will go.
- Use long-nose pliers to pull out pin -1-.



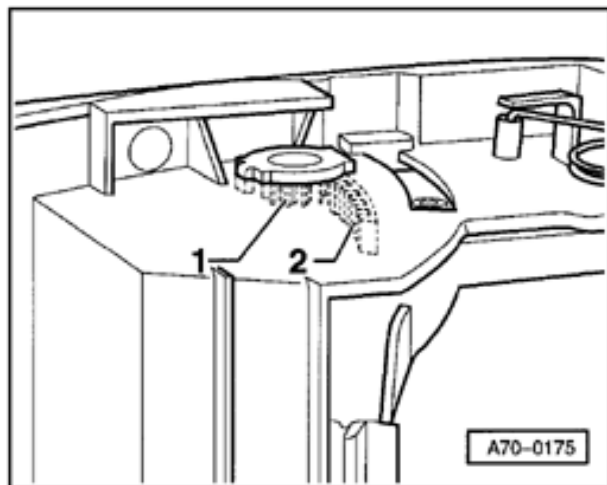
- ◀ - Use screwdriver to press pin -1- outward as far as it will go.
- Use long needle-nose pliers to pull out pin -1-.

70-47



- ▲ - Use screwdriver to pry out guide pins -1- on left and right.
- Remove hinged pocket from mount.

Installing



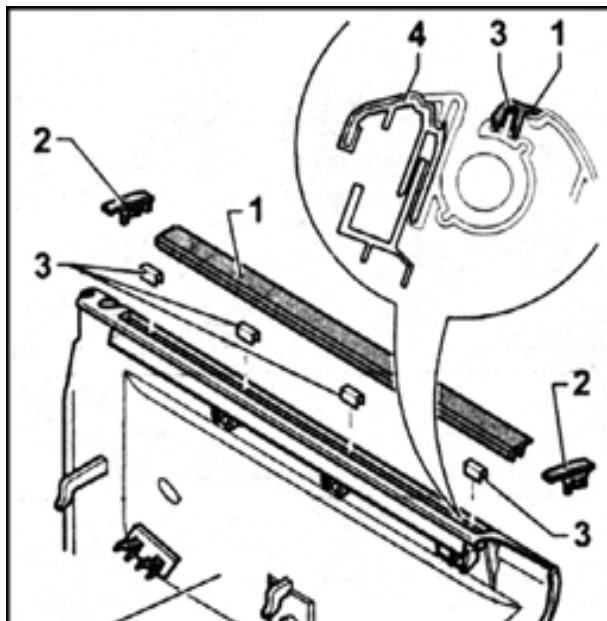
- ▲ - When installing, engage gear wheel -1- in gear track -2-.



Window shade for door window, removing and installing

Removing

- Remove door trim ⇒ [Page 70-31](#) .
- Remove trim piece in door panel ⇒ [Page 70-42](#) .



1 - Inner guide strip

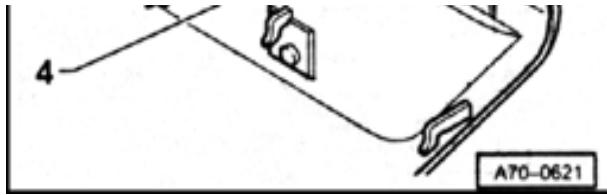
2 - Caps

Pry out inner guide strip -1- before removing caps -2-

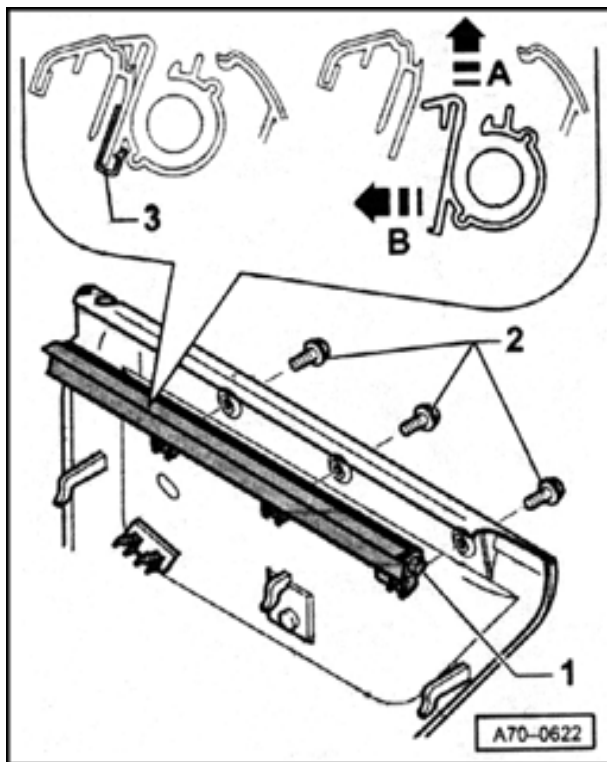
3 - U-clips (4x)

4 - Rear door panel

Audi A6 Sedan 1998-2004, Audi A6 Avant 1999-2004, Audi allroad quattro 2001-2004, Audi S6 Avant 2002-2004, Audi RS6 2003-2004 - Body Interior



70-49



- Remove bolts -2- (3x).
- Tightening torque: 1.5 Nm (13 in lb)
- Pull off U-clips -3- (5x).
- Unhook window shade -1-.

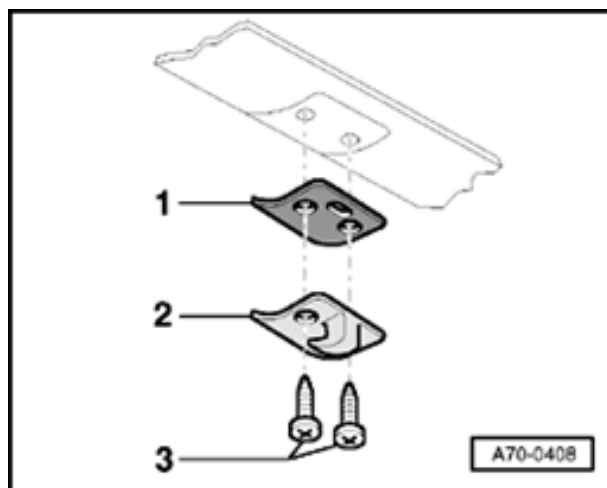
Installing

- When installing, first slide window shade -1- into direction of -arrow A- and then into direction of -arrow B-.

70-50



Retaining hook for window shade, removing and installing



2 - Retaining hook

3 - Sheet metal screws - 1.5 Nm (13 in lb)

Note:

Backing plate -1- serves as a spacer and must always be re-installed in the original position.