



A4/S4 Index

Radio/Electrical

Satellite Radio	2
Rear Seat Entertainment	3
Cellular Phone Cradle	4
Car Kit Interface	5
Cellular Phone	6
CD Changer	7
Cassette Box	7
Halogen Map Reading Light	8
Fuses	8
Mini Flashlight	8

Interior

Floor Mats:	
Rubber	9
Multi-Season Carpeted	10
Rear Sunshade	11
UV Sunshield	11
Armrest with Cupholder	11
Foam Rubber Cargo Mat	12
Molded Carpeted Trunk Mat	12
Rubberized Trunk Liner	13
Carpeted Trunk Mat	13
Trunk Cargo Net	13
Bag Hook	13
Gearshift Knob	14
Net Partition	15

Exterior

Roof Carrier System:	
Carrier Bars	16
Cross Bars	17
Bike Holder Attachment Fork Mount	18
Bicycle Carrier System	19
Surfboard Holder	20
Kayak Holder	20
Luggage Basket	21
Softside Luggage Carrier	22
Aluminum Basket	22
Snowboard/Ski Attachment	23
Grille Strips	24
Roof Spoiler	25
Rear Deck Spoiler	26
Side Sill	27
Rear Skirt	28
RS4 Grille	28
Carbon Fiber Engine Cover	29
S4 Badge	29
S line Emblem	29
Splash Guards	30
Front End Cover	31
Air Deflector:	
Sunroof	32
Side Window	32
Wheel Bolts	33
Wheel Bolt Wrench	33
Valve Stem Caps	33
Alloy Wheels	34
Sport Springs	43
Exhaust Muffler	44
Exhaust Tips	45



Satellite Radio



Part No.	Description	Application	Availability
8E0 057 593 8E0 057 593 D 8E0 035 593 F	Sirius Satellite receiver	A4-RS4	04 ▶
**8E0 035 195 AC 8E0 035 195 A	Sirius Satellite receiver	A4	2006 ▶

SIRIUS Satellite Radio delivers more than 125 channels of the best programming in all of radio. SIRIUS is the original and only home of 100% commercial free music channels in satellite radio, offering 67 music channels available nationwide. SIRIUS also delivers 61 channels of sports, news, talk, entertainment, traffic, weather and data. SIRIUS is the Official Satellite Radio Partner of the NFL, NBA, and NHL and broadcasts live play-by-play games of the NFL, NBA, and NHL. Plus NASCAR moves to SIRIUS in 2007.

The only home of 100% commercial-free music channels – With dedicated channels for nearly every genre, you hear the music you want, commercial free.

Live play-by-play & expert talk from the biggest sports – NFL, NBA, NHL, and games from over 150 college sports teams, Plus NASCAR moves to SIRIUS in 2007.

Exclusive Entertainment & Talk – Howard Stern, Blue Collar Comedy, Maxim Radio, Jim Breuer and much more

Especially for Women – Lifestyle and how-to-programming from Martha Stewart Living Radio, Cosmopolitan Radio, Barbara Walters, Candance Bushell and more

World class news – Stay informed with FOX, CNN, NPR, the BBC and more. Plus local traffic & weather.

Family & Kids – It’s G-rated fun for everyone with Radio Disney, Kids Stuff, and Laugh Break Comedy.

XM Receivers will no longer be available after July 30, 2006.

Visit www.accessAudi.com for regular program updates and special promotions.

*Not for vehicles with (TPMS)

**For vehicles equipped with Blaupunkt sound system. (Symphony)

Rear Seat Entertainment

Part No.	Description	Application
----------	-------------	-------------

000 051 740	Multimedia-Family-Kit "DVD-Voyager 2" 2 Screen System	All
--------------------	---	-----

- Δ Multimedia Disc Player
- Δ **2 Screens 7" (NTSC Format)**
- Δ **2 Cordless Headphones**
- Δ Remote Control
- Δ Set of Batteries (AAA)
- Δ Headrest Mounts
- Δ Required Cables
- Δ Carrying Case
- Δ Headrest Mounts
- Δ User Manual
- Δ Home Mount



000 051 704	Multimedia-Kit "DVD-Voyager 2" Single Screen System	
--------------------	---	--

- Δ Multimedia Disc Player
- Δ 7" Screen (NTSC Format)
- Δ Cordless Headphones
- Δ Remote Control
- Δ Set of Batteries (AAA)
- Δ Headrest Mount
- Δ Required Cables
- Δ Carrying Case
- Δ Headrest Mounts
- Δ User Manual
- Δ Home Mount



000 051 710	"DVD-Voyager 2" Additional Components Additional Cordless Headphone	
000 051 723	Remote Control	
000 051 732	Additional 7" Screen	

The Go Anywhere DVD-Entertainment System – The portable Multimedia "DVD-Voyager 2" is the perfect motoring accessory for the whole family ensuring fun and excitement for the backseat passengers. The DVD-Voyager offers entertainment anytime and anywhere, in vehicle, on vacation, in a motorhome, at home or at work. The "DVD-Voyager 2" is specially designed for automotive grade.

Cellular Phone Cradle



Part No.	Description	Application	Availability
4B0 898 431A	Cell Phone Cradle for vehicles equipped with OnStar™	A4 S4	02 ▶ 05 04

For V60s (Verizon) and V60x (Sprint)

Kit consists of:
Qty.

Qty.	Description	Part Number
1	Fixture - cellular phone, black	4B0 862 413A 6PS
4	Torx head bolt M3,5x13MK	N 910 183 01
4	Washer 3,7x8x1	8E0 862 995
4	Bushing	8E0 862 805
1	Button, black	4B0 862 415 4PK
1	Mounting, black	8D0 035 721A 6PS
2	Tapping screw, fill head ST2,5x9,5	N 013 953 7
1	Handy - adapter	8E1 862 407B



SELL OUT ITEM



Car Kit Interface



Part No.	Description	Application
8E0 051 434 A	Audi Car Kit Interface Harness	Vehicles equipped with Symphony I & II Concert I & Concert II Radios

△ NOT COMPATIBLE WITH ANY VEHICLE EQUIPPED WITH OnStar™

△ NOT COMPATIBLE WITH ANY VEHICLE EQUIPPED WITH Audi Navigation Plus

△ To purchase the appropriate phone car kit with Bluetooth® wireless technology or Cradle-based phone car kit solutions contact either Nokia™ (www.nokiahandsfree.com) or Motorola™ (www.neverwired.com)



Cellular Phone

Part No.	Description	Application	Availability
8D0 051 601 01C	Molded Console Phone Holder Black	A4 Sedan, Avant	96 ▶ 1/99
8D1 051 601 1EJ²	Onyx	S4 Sedan, Avant A4 Sedan, Avant	00 ▶ 02 2/99 ▶ 02
8E1 051 601 ***	Black	A4 Sedan, Avant/Cab S4 Sedan, Avant/Cab	02 ▶ 04 ▶

²Accepts hand-free loudspeakers.

*** = Color Code: **6PS** Black, **26Z** Gray, **3ZQ** Maritime Blue, **4QC** Light Beige

- Δ Custom designed console to keep phone within easy reach.
- Δ Installs on center console to give an integrated look.
- Δ Phone or personal electronics mounting hardware sold separately—consult your local cellular phone reseller



CD Changer; Cassette Box



Part No.	Description	Application	Availability
4B0 035 111 A¹	Trunk Mount CD Changer	A4 Avant S4 Avant	98 ▶ 01 01 ▶ 02
8D5 051 103	Installation Kit	A4 Sedan	98 ▶ 1/99
8E0 035 111² 8E0 051 592	CD Changer-Glove Box Wiring Harness	A4 Sedan, Avant (required)	02 ▶

Installation time units: 45

¹In conjunction with following radios: **8E0 057 186** Concert, **8E0 035 195 A** Symphony

²Fitting location: Glove box **8E1 857 035D *****, required

*** = Color Code: **EC3** Platinum, **26Z** Gray, **3ZQ** Maritime Blue, **4QC** Beige, **6PS** Black

3B0 051 179	CD Magazine Cartridge 6 disc	CD Changer 4B0 035 111 A
--------------------	---------------------------------	------------------------------------

- △ While inserting, magazine must be kept level to prevent discs from sliding out
- △ Avoid inserting tray diagonally into slots
- △ Only one tray per slot



8D1 061 130 01C	Cassette Box 4 cassettes	A4	96 ▶ 1/99
------------------------	-----------------------------	----	-----------

- △ For holding four (4) cassettes with exclusive drawers
- △ One-handed operation
- △ Spring loaded cassette holder provides fingertip access
- △ Protects cassettes from dirt and heat.
- △ Practical visual check thanks to drawer-fill display





Map Reading Light; Fuses

Part No.	Description	Application	Availability
ZVW 265 001	Halogen Map Reading Light Lighter Plug w/Lighter Socket 8" Flexible Arm	All 12V	



- △ 12 Volt low-energy halogen lamp which plugs into lighter socket
- △ Lamp has a 8 inch flexible neck and can be tilted in any direction
- △ Emits a bright, glare-free light. Oversized switch is mounted on top for easy on/off

4F0 947 175	Mini Flashlight	All Audi Models
--------------------	-----------------	-----------------

LED mini flashlight.
The travelers friend.

This convenient light is rechargeable and gives you approximately 30 minutes of operating time. Simply turn the head to operate. The LED service life is approximately 20,000 hours. To charge simply plug it in to your Audi's 12 volt power outlet. Available for all Audi models.



ZAW 998 999	Blade Fuses Fuse Kit (Plug-in type)	All
--------------------	--	-----

- △ Assortment of 12 of the most commonly needed fuses in self serve/display package
- △ Clear plastic box inside blister is suitable for storage in glove compartment

Assortment of 12 Blade-type fuses:

2	5 Amp	N 017 131 16 (Tan)
2	10 Amp	N 017 131 11 (Red)
2	15 Amp	N 017 131 12 (Light Blue)
2	20 Amp	N 017 131 13 (Yellow)
2	25 Amp	N 017 131 14 (Natural)
2	30 Amp	N 017 131 15 (Light Green)



Floor Mats



Part No.	Description	Application	Availability
	Premium All-Weather Rubber Mats set of 4		
	A4 Logo		
ZAW 179 001A BLK	black	A4 sedan/Avant	2/99 ▶ 01
ZAW 179 001A CLY	clay		
ZAW 179 009A BLK	black	A4 sedan/Avant	02 ▶
ZAW 179 009A CLY	clay		
ZAW 179 009A GRY	gray		
ZAW 179 010A BLK	black	A4 Cabriolet	03 ▶
	Sport Logo		
ZAW 179 004 BLK	black	A4 sedan/Avant	2/99 ▶ 01
		S4 sedan/Avant	00 ▶ 02
ZAW 179 009SA BLK	black	A4 sedan/Avant	02 ▶
		S4 sedan/Avant	04 ▶
8E1 061 550 H 041 BLK	black	A4 sedan/Avant	All new 2005 ▶ 2006 RS4

Authentic Audi All-Weather Floor Mats feature a deep ribbed channel design to protect the floor carpeting from water, sand, mud, and snow. Our rubber mats conform to the vehicles' exact contours for maximum protection of the interior. Authentic mats possess safety features like positive retention anchors and an exclusive chevron w/nib design for added security. Rubber mats are black or gray, with contrasting A4 logo to complement your interior. New rubber mats may emit a naturally occurring-odor. We recommend washing mats with a light detergent prior to installation. (Set of 4.)

Installation time units: 20

European Style Rubber Mats			
set of 2			
8E1 061 501	***	front	Sedan/Avant/Cabriolet 02 ▶
8E1 061 501A	***	front	Sedan/Avant All new 2005 ▶
8E0 061 511	***	rear	Sedan/Avant 02 ▶

*** = Color Code: **041** Black, **528** Gray

Δ Trim profile

Δ Embossed rubber mats





Carpeted Floor Mats

Part No.	Description	Application	Availability
8D1 061 601 C ***	front	Sedan/Avant	2/99 ▶ 2/00
8D1 061 611 ***	rear	Sedan/Avant	2/99 ▶ 2/00
Multi-Season Carpeted Floor Mats			
8D1 061 601 C ***	front ¹ A4 Logo	Sedan/Avant	2/99 ▶ 2/00
8D1 061 611 ***	rear ¹ A4 Logo	Sedan/Avant	
8D1 061 601 D ***	front ³ A4 Logo	Sedan/Avant	98 ▶ 1/99
8D1 061 611 A ***	rear ⁴ A4 Logo	Sedan/Avant	98 ▶ 1/99
8E1 061 225 E ***	front (original equipment)	Sedan/Avant/Cabriolet	02 ▶ 05
8E0 061 226 E ***	rear (original equipment)	Sedan/Avant	02 ▶ 05
8H0 061 326 E ***	rear (original equipment)	Cabriolet	03 ▶
8E1 061 325 EA ***	front (original equipment)	Sedan/Avant	All new 2005 ▶
8E0 061 326 EA ***	rear (original equipment)	Sedan/Avant	All new 2005 ▶
ZAW 178 210 ***	set of 4 ²	Sedan/Avant	2/99 ▶ 01
ZAW 178 200 ***	set of 4 ²	Sedan/Avant	02 ▶
ZAW 178 210 S 7EX	set of 4 ² Sport Logo ²	Sedan/Avant	2/99 ▶ 01



*** = Color Code 98 ▶ 1/99: **9LE** Royal Blue, **8PF** Opal Gray, **7EX** Onyx, **15P** Terra Brown, **E85** Titanium, **E90** Anthracite
 *** = Color Code 2/99 ▶ 01: **9LE** Royal Blue, **8PF** Opal Gray, **7EX** Onyx, **52F** Clay
 *** = Color Code 02 ▶ : **90G** Black, **92S** Blue, **91H** Gray, **92J** Light Beige, **3K2** Platinum, **4Y2** Indigo
 Plus OEM colors: **92S** Twist(light beige), **3K2** Platinum, **4Y2** Indigo, **P19** Lava, **F78** Aqua Blue

- ¹Retention system: flat mushroom top
- ²Retention system: flat doughnut hole (black)
- ³Retention system: three piece locking screw
- ⁴Retention system: none

- △ 20 ounce pile floor mats
- △ Precision fit to help protect O.E. carpet from water and dirt
- △ Skid resistant



Sunshade

Part No.	Description	Application	Availability
8D5 064 360*	Rear Window Sunshade	A4 sedan S4 sedan	96 ▶ 01

***NOT TO BE USED WITH SIDEGUARD AIRBAGS**

- Δ Helps prevent direct sunlight from entering by day and reduction of glare at night
- Δ Does not obstruct view



8E0 064 360 ***		A4 sedan	02 ▶ 05
8EC 064 360 ***		A4 sedan	All new 2005 ▶

***** OK TO USE WITH SIDEGUARD AIRBAGS**

ZAW 400 811	UV Sunshield	A4 sedan/Avant S4 sedan/Avant	96 ▶ 02
ZAW 400 814		A4 sedan/Avant S4 sedan/Avant	02 ▶ 04 ▶
ZAW 400 816		A4 Cabriolet S4 Cabriolet	03 ▶ 04 ▶

- Δ Custom cut for vehicle
- Δ Triple laminated material
- Δ Helps protect interior from UV rays
- Δ Velcro strap helps store neatly when not in use



Part No.	Description	Application	Availability
8L0 862 533B AQ4	Armrest Cup Holder black	A4 sedan S4 sedan	1/99 ▶ 01 00 ▶ 02

Δ Supplement cupholders that are installed in the vehicle



Δ Fits securely into the center armrest and is adjustable to hold various sized beverage containers



Cargo Net; Cargo Mat

Part No.	Description	Application	Availability
8D5 061 160 C 8E5 061 160	Foam Rubber Cargo Mat	A4 sedan frontrak A4 sedan	2/99 ▶ 01 02 ▶
8D5 061 160 B		A4 sedan quattro	2/99 ▶ 01
8D9 061 160 A 8E9 061 160		A4 / S4 Avant A4 Avant	98 ▶ 02 02 ▶

- △ Custom-fitted foam trunk liners
- △ Water tight
- △ Helps protect trunk while transporting cargo
- △ Non-slip, easily cleaned with mild soap and water
- △ Gray
- △ Designed for light duty
- △ Constructed of flexible foam-like plastic polyethylene



CLOSE OUT ITEMS

	Molded Rubber and Carpeted Trunk Mat with Cargo Management complete with 4 Cargo Blocks		
ZAW 380 200	A4 logo	A4 sedan quattro	2/99 ▶ 01
ZAW 380 202	Sport logo (Closeout)	A4 Avant S4 Avant	98 ▶ 01 01 ▶ 02
ZAW 380 400	A4 logo	A4 sedan	02 ▶
ZAW 380 201	Sport logo (Closeout)	A4 sedan quattro	2/99 ▶ 01
ZAW 380 203	A4 logo	A4 Avant	98 ▶ 01
ZVW 380 301 ZAW 380 410	Cargo Blocks (set of 4) A4 logo	All A4 Cabriolet S4 Cabriolet	 03 ▶ 04 ▶



Covers useable trunk area

Audi molded carpeted mats are made from moisture resistant heavy-duty rubber covered with a plush nylon carpet to help keep your trunk area protected from spills, scratches and dirt that happen when transporting gear. This mat fits perfectly into your vehicle and stays snug. Cleaning is simple, just hose it off or use a mild detergent on heavier stains. The Cargo Logic system is designed to help organize and control movement of items placed in the cargo area of your vehicle. It is not intended for use as a safety restraint and may not be suitable for some large or unsafe objects.

	Custom Cargo Mat (MacNeil)		
ZAW 452 810 BLK		A4 Avant S4 Avant	02 ▶ 04 ▶
ZAW 452 811 BLK		A4 Sedan S4 Sedan	02 ▶ 04 ▶

- △ Custom fits the A4 or S4
- △ Non-slip, textured plastic material controls load shifting
- △ Raised lip contains spills and protects cargo area carpeting from stains
- △ Easily cleaned with mild soap and water
- △ Engineered for toughness and durability
- △ Easy installation
- △ Color Onyx (dark gray)
- △ Includes choice of A4 or sport logo

A4 Avant model shown





Cargo Mat; Cargo Net; Hook

Part No.	Description	Application	Availability
8EC 061 180	Rubberized Trunk Liner	A4 Sedan	All new 2005 ▶
8ED 061 180	Rubberized Trunk Liner	A4 Avant	All new 2005 ▶

Part No.	Description	Application	Availability
8A9 061 462 A ***	Carpeted Cargo Mat	A4 Avant S4 Avant	98 ▶ 01 01 ▶ 02

*** = Color Codes: **52F** Clay, **7EX** Onyx, **8PF** Opal Gray

- Δ Helps to protect the cargo area from dirt and damage
- Δ Color matched and tailored for fit
- Δ Constructed from, 20 ounce fabric

4F9 861 869	Trunk Cargo Net 4 PK - Black	A4 / S4 sedan	96 ▶ 02
--------------------	---------------------------------	---------------	---------

- Δ Secures trunk contents
- Δ Nylon net construction
- Δ Attaches to existing hooks.



6Y5 867 615 B41	Grocery Bag Hook	A4	02 ▶
------------------------	------------------	----	------

Additional required:
N 013 975 5 Bolt (2)



Gear Shift Knob

Part No.	Description	Application	Availability
8D0 064 226	Gearshift Knob Manual transmission 5-speed Burl wood	A4	98 ▶ 01



- Δ Burl wood with shift pattern
- Δ Simple replacement
- Δ Enhancement of interior appearance with the addition of this fine grain wooden gear shift knob

	Gearshift Knob Burl Walnut (highly polished)		
500 080 000 30 001	5 and 6-speed Manual Transmission	A4 Sedan, Avant S4	96 ▶ 01 00 ▶ 02



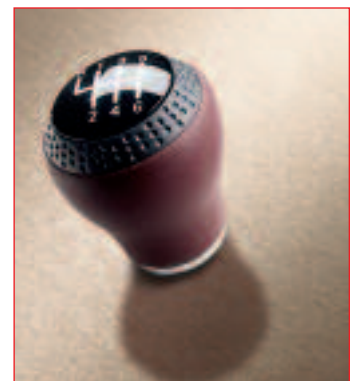
- Δ Adds to enhancement of interior appearance
- Δ Highly polished burl walnut offers firm grip
- Δ 5 and 6-speed shift pattern integrated into top for manual transmission
- Δ A quattro GmbH design

For additional models, styles and application, see your specific models ETKA catalog under group "7."

	Gearshift Knob Leather Sport Manual Transmission 5 and 6-speed		
500 080 000 12 ***		A4 S4	96 ▶ 01 00 ▶ 02

*** = Color Code: **002** Cognac, **003** Gray, **007** Platinum, **011** Royal Blue, **013** Emerald, **014** Vanilla, **017** Classic Red, **018** Brilliant Red, **019** Lazuli Blue, **020** Begonia Red, **021** Lemond Yellow, **022** Woodruff Green

- Δ For manual transmission only
- Δ Leather wrapped shift knob
- Δ 5 and 6 speed shift pattern inserts included in package
- Δ A quattro GmbH design



8D9 711 141 17K	Gearshift Knob Silver alcantera RS4 Not shown	S4	00 ▶ 02
------------------------	--	----	---------

Net Partition



Part No.	Description	Application	
8D9 017 221 A	Net Partition	A4 Avant S4 Avant	98 ▶ 01 01 ▶ 02

NOT TO BE USED WITH SIDEGUARD AIRBAGS

8ED 017 221	Net Partition	A4 Avant	All new 2005 ▶
--------------------	---------------	----------	----------------

CAN BE USED WITH SIDE CURTIAN AIRBAGS

An accessory which has been tried and tested for reliably transporting goods and (four-legged) passengers. Enables the storage area behind the rear seats to be optimally used. The passenger compartment is separated practically invisibly by the large mesh netting in its stable frame from the luggage area and the goods transported.

Consisting of a high quality, plastic-coated tubular steel frame additionally strung with nylon netting.

- △ Specially adapted to the shape of the vehicle
- △ No drilling of the body required
- △ Completely preassembled
- △ Color: black

Parts supplied:	1 Net Partition
	1 Fitting Kit
	1 Fitting Instructions

Roof Carrier System: Carrier Bars



Part No.	Description	Application	Availability
8D5 071 126	Carrier Bars, "Aero" (A)	A4 Sedan S4 Sedan	96 ▶ 01 00 ▶ 02
8E0 071 126 A	Anodized silver (B)	A4 Sedan S4 Sedan	02 ▶ 04 ▶

△ Lockable set of 2

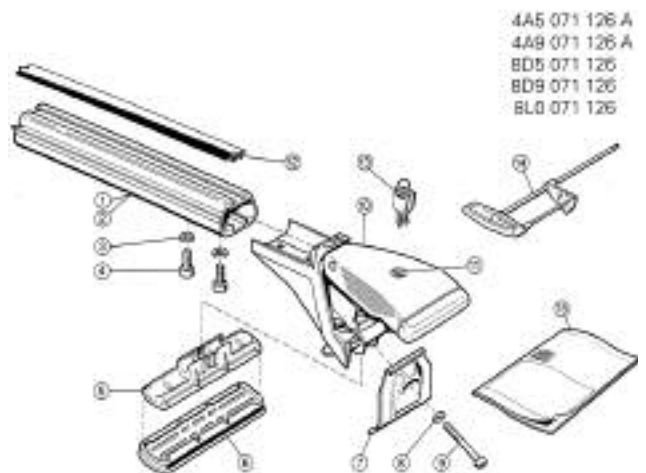
△ 2 black plastic-coated aluminum cross bars held to the roof by uniquely constructed caliper-action mounting stanchions. Carrier bars are specified as "front" and "rear." Built in cylinder locks mounted into the full length and stanchion cover. Carrier Bars are required as mounting base for all roof attachments.

Required as base for all Audi roof attachments:

The maximum permissible load is 165 lbs/75 kg, evenly distributed.

Single Components: 8D5 071 126

Key No.	Description	Part No.	Qty.
5	Support	4A5 071 748	4
6	Roof mounting	4A5 071 713 A	4
8&9	Screw set	8D5 071 737	2
3&4	4
7	Tension clamp	8D5 071 777	2
	Torque wrench	4D0 071 712 A	1
	Lock set	443 071 734 A	4
	Roof bar, rear	8D5 071 732	1
	Plastic trim strip	000 071 740	1
	Spoiler set, black	000 071 715 041	3
	Supporting foot	443 071 734 A	1
	w/o roof mounting & retaining lug	000 071 750	1
10	Special order VOTEX		
11	4B0 071 738		



Roof Carrier System: Carrier Bars



Part No.	Description	Application	Availability
8D9 071 151	Cross Bars	A4 Avant S4 Avant	96 ▶ 02 00 ▶ 02
8E9 071 151A 666	Anodized silver	A4 Avant S4 Avant	02 ▶ 04 ▶
8E9 071 151 041	Black	A4 Avant S4 Avant	02 ▶ 05 04 ▶ 05

- Δ Lockable, set of 2 in conjunction with roof rails only
- Δ Plastic coated aerodynamic aluminum sections
- Δ Cylinder locks are built into the covered end caps (**8D9 071 151** only)

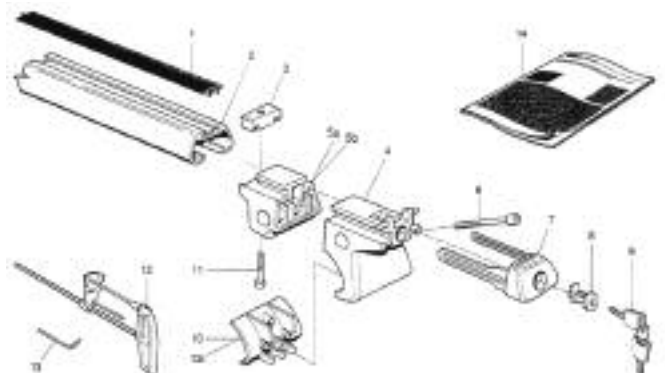
Required as base for all Audi roof attachments:

The Maximum Permissible roof load is 165 lbs/75 kg., evenly distributed

Installation time units: 75

Single Components - Cross Bars 8D9 071 151

Key No.	Description	Part No.	Qty.
8	Lock set.....	7M0 071 734	4
7	End cap.....	7M0 071 738	1
	Torque wrench WAF5 plus allen wrench WAF3		
		333 071 712 A	1
4	Tensioner, outer	7M0 071 736	1
10,a	Mounting set.....	8D9 071 747	4 each
5a,b	Tensioner, inner & bolt.....	7M0 071 738	8
	Cover cap (half moon).....	7M0 071 739	4
6	Tensioning screw.....	7M0 071 738	1
	Support rod, front	000 071 740	1
1	Trim strip.....		1

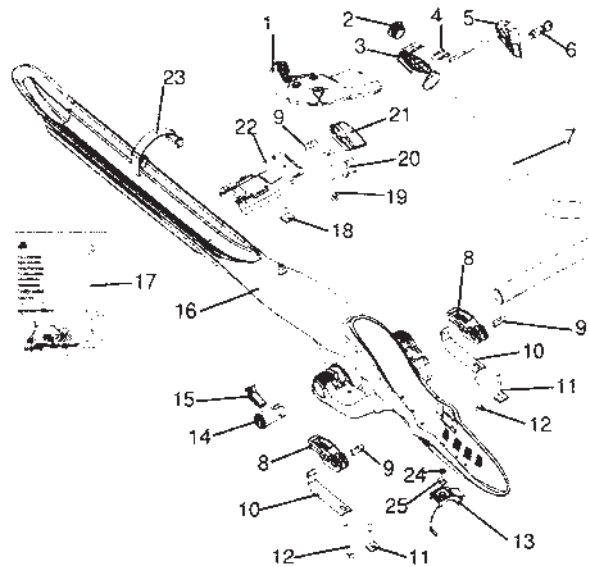


Bike Carrier System



Part No.	Description	Application	Availability
8E0 071 128	Barricuda Rack Bicycle Holder Attachment for 1 Bicycle Requires base carrier bars or Avant "Cross Bars"	All Models	

- Δ Complete with mounting hardware & instructions
- Δ For transport of Touring, Mountain and Racing Bikes in an upright position
- Δ Built-in lock and rugged design prevents damage to valuable bicycles
- Δ Up to three(3) bicycles can be mounted using a staggered formation
- Δ "city crash" certified





Bike Carrier System

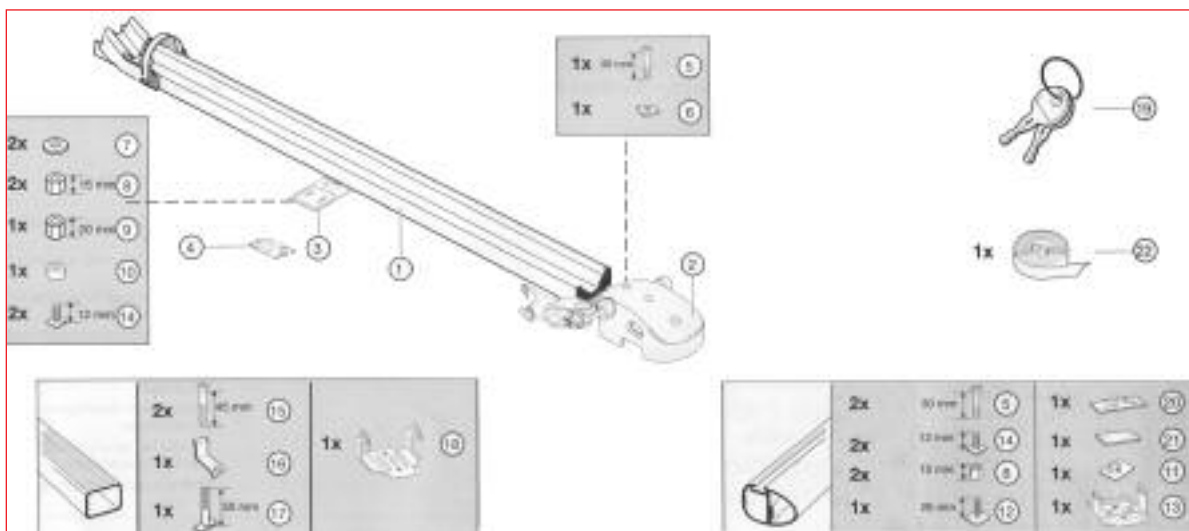
Part No.	Description	Application	Availability
7M0 071 128 B	Bicycle Holder Attachment Fork mount	All Models	
	Requires base carrier bars or Avant "Cross Bars"		
7M0 071 128 C	for bike with disk brakes		

Δ Complete with mounting hardware & instructions
 Δ Thumb wheel adjustment

Installation time units: 25

Single components

Screw set Contains	7M0 071 737 #8 x 2 #14 x 2 #5 x 1 #6 x 1
Backing Plate Contains	7M0 071 737R #18 #13
Retainer Strap	1F0 071 737D
Wheel Fixture	1F0 071 746



Surfboard Holder; Kayak Holder



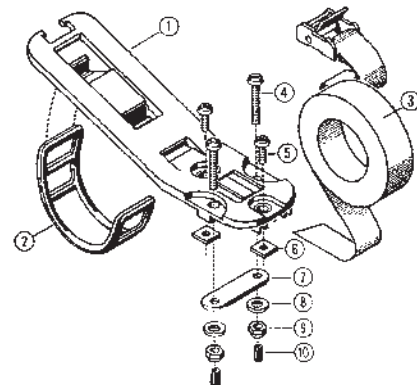
Part No.	Description	Application	Availability
445 071 127	Surfboard Holder Attachment Requires base carrier bars or Avant "Cross Bars"	All Models	

4 plastic holders which adapt to the shape of the surfboard. For transporting of 1 or 2 surfboards with masts.
Installation time units: 25

Single components - Surfboard Holder attachment 445 071 127

Key

No.	Description	Part No.
2	Tensioning Rubber	445 071 737B
4	Hardware Kit	445 071 737C
3		
6		
7		
8		
9		
10		
7	Mounting Plate	



00H 071 127	Mont Blanc Kayak Holder Attachment Requires base carrier bars or Avant "Cross Bars"	All Models
--------------------	---	------------

Our newest lifestyle accessory protects your kayak and your Audi. Conforms to all hulls and offers superior stability. Holds one kayak. Includes one pair of heavy duty straps.



Luggage Basket



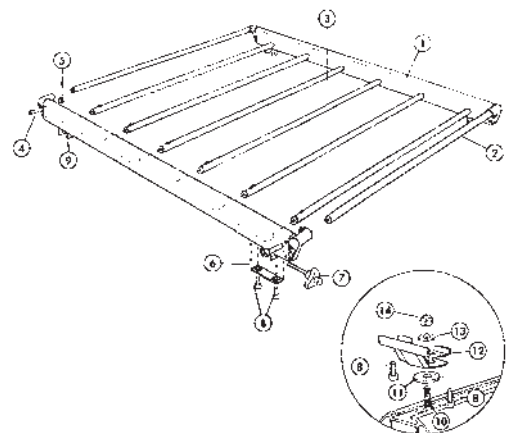
Part No.	Description	Application	Availability
191 071 130 F	Luggage Basket Requires base carrier bars or Avant "Cross Bars"	All Models	

- Δ Complete with mounting hardware 40" x 30"
- Δ Bars and side rails are made of black plastic coated galvanized steel
- Δ Front and rear bars are adjustable: in the up-position unit forms a luggage basket, the down position converts it to a loading platform with side supports.

Installation time units: 25

Single components - Luggage Basket 191 071 130 F

Key No.	Description	Qty.	
1	Side Section	2	
2	Retaining bar	1	191 071 736 B
3	Supporting bar	1	191 071 736 E
7	Capstan head screw	4	191 071 739
	Mounting Kit		191 071 736 D
4	Self tapping screws	12	
5	Plastic washer	12	
6	Hex head bolt	8	
10	Threaded shackle	4	
11	Hex head nut	4	
12	T-shaped keyway insert	4	
13	Shackle	4	
14	U-shaped shackle	4	
	Set of Screw Connectors		191 071 743 C
6	Hex head bolt	8	
9	Hex head nut	4	
8	Slotted bolt	4	



Soft Side Luggage Carrier



Part No.	Description	Application	Availability
ZVW 193 800	Soft Side Luggage Carrier Requires base carrier bars or Avant "Cross Bars"	All Models	

- △ Embossed polyester
- △ Sealed seams
- △ Zipper covered with velcro
- △ Three main belts which support six quick release tie down straps

Length: 939.80mm/37"
 Width: 762.00mm/30"
 Depth: 304.80mm/12"

00H 071 130	Aluminum Roof Basket Mt. Blanc Requires base carrier bars or Avant "Cross Bars"	All Models	
--------------------	---	------------	--

- △ High quality, lightweight roof rack platform in aluminum
- △ Load surface 35" x 31"
- △ Installs easily
- △ Side rails prevent load from shifting
- △ Works great with Soft Luggage Carrier



Snowboard/Ski Attachment



Part No.	Description	Application	Availability
3B0 071 129 UA	Snowboard/Ski Attachment Requires base carrier bars or Avant "Cross Bars"	All Models	

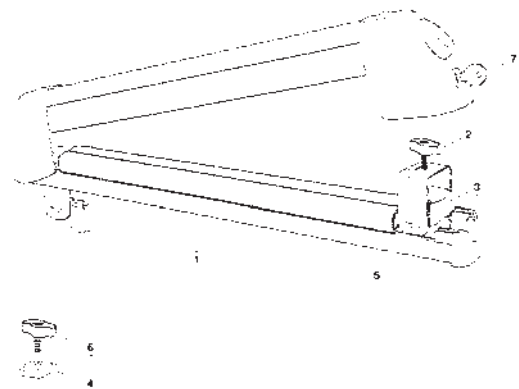
- Δ Lockable
- Δ Complete with mounting hardware
- Δ Perfect blend of styling, quality and rugged design
- Δ Installs quickly on base carrier and features an oversized push button locking hood that allows for easy opening and closing with gloves on
- Δ Wide semi-rigid rubber profile design provides a snug secure fit for snowboard or skis
- Δ Holds 4 pairs of skis or 2 snowboards

Installation time units: 25

Single Components - Snowboard/Ski attachment 3B0 071 129 UA

Key No.	Description	Qty.
1	Ski/snowboard carrier	2
2	Wing bolt, M6x35	4
3	Spacer block	4
4	Keyway, M6	4
5	Retaining clip.....	4
6	Wing knob, M6x20	2
7	Key	2

**Attachment Kit
3B0 071 737 A**





Grille Strips



Part No.	Description	Application	Availability
	Highly polished Grille Strips Stainless Steel		
ZAW 312 001		A4	96 ▶ 1/99
ZAW 312 002		A4	2/99 ▶ 01
ZAW 312 003		A4	02 ▶ 05
ZAW 312 007		A4 Cabriolet	03 ▶

Δ Polished stainless steel strips attach to the grille with OEM grade adhesive strips for durability

Spoiler



Part No.	Description	Application	Availability
8D9 071 640 A 9AX	Roof Spoiler Kit complete with mounting hardware and instructions	A4 Avant S4 Avant	98 ▶ 01 01 ▶ 02
8E9 071 640 9AX		A4 Avant S4 Avant	02 ▶ 05 04 ▶ 05
8ED 071 640 9AX		A4 Avant	All new 2005 ▶

△ Spoiler which merges form, fit and function fits over the top the the rear hatch

△ Made of impact-resistant HR integral skin polyurethane foam

△ It is recommended to paint spoiler to body color for visual effect

△ May be available in pre-painted configurations.– please see your drop ship parts screen

8E5 827 933 A GRU	S-Line Spoiler	Sedan	02 ▶ 05
8E9 827 933 A GRU	S-Line Spoiler Not pictured	Avant	02 ▶ 05

△ See ETKA catalog for additional parts

△ Available in primer only

Spoiler



Part No.	Description	Application	Availability
8D0 071 645 DS ***	Rear Deck Lid Spoiler "Wing-Type" with third brake light complete with mounting hardware, template and instructions	A4 Sedan S4 Sedan	96 ▶ 01 00 ▶ 02

Dealer Drop Ship Program - See Parts On Command - Drop Ship Screen

△ One piece light-weight semi-hard integral skin foam
 △ Painted to body color

*** = Color Code	Z8P = Sable Brown Y9B = Brilliant Black Z3S = Indian Red Z9W = Ebony Pearl Z5K = Santorin Blue Z5M = Nogaro Blue Pearl	X6V = Jaspis Green Y3H = Laser Red Y5T = Pelican Blue Z3L = Hibiscus Red Y1C = Imola Yellow	Y9G = Casablanca White Y1B = Brilliant Yellow Z6L = Cactus Green Y1T = Melange Y7W = Light Silver
-------------------------	---	--	--

8E0 071 640 K 9AX	Rear Deck Lid Spoiler Complete with mounting hardware and instructions.	A4 Sedan	02 ▶ 05
--------------------------	---	----------	---------

△ Requires painting in body color
 △ Makes a personal statement
 △ Hard integral foam

8E0 071 640 DS ***
 Dealer Drop Ship Program - See Parts On Command - Drop Ship Screen

8EC 071 640 9AX	3 Piece Trunk Lip Spoiler	All new 2005 ▶
------------------------	---------------------------	----------------



8E5 052 204 U	Silver Tail Lamps	A4 S4	02 ▶ 05 04 ▶ 05
----------------------	-------------------	----------	--------------------

△ Adds distinctive styling
 △ Easy install, plugs directly into existing bulb holders
 △ Set of two



SELL OUT ITEM

Spoiler; Side Sill



Get ready to turn some corners and some heads. Our new A4 Bod Styling Kit is designed to give your A4 a lean, aerodynamic profile that looks race-ready. The kit includes a front spoiler with integrated sport grilles, side skirts, rear spoiler and a rear valance with integrated sport grilles. All components are built from top quality materials such as hard integral foam and PU-RIM. Components are sold individually.

Part No.	Description	Application	Availability
8E0 071 609 9AX 8E0 071 609 DS***	Front Chin Spoiler Dealer Drop Ship Program - See Parts On Command - Drop Ship Screen	A4 Sedan/Avant	02 ▶ 05

Spare parts:

8E0 071 612 L041	Left grille
8E0 071 612 R041	Right grille
8E0 071 612 M041	Middle grille (front)
000 071 612 V	Clips: bag of 10 clips and 10 screws

8EC 071 609 9AX	Front Chin Spoiler	All new 2005 ▶
------------------------	--------------------	----------------

- △ Aerodynamic optimizing of vehicle front end
- △ Material is PU-RIM
- △ Kit complete with installation hardware, painting and installation instructions
- △ Spoiler is primed
- △ Available pre-painted in factory colors – please see your drop ship screen

8E0 071 685 9AX or 8E0 071 685 DS***	Side Sill Kit Dealer Drop Ship Program - See Parts On Command - Drop Ship Screen	A4 Sedan/Avant	02 ▶ 05
--	--	----------------	---------



8EC 071 685 9AX	Side Sills	All new 2005 ▶
------------------------	------------	----------------

- △ Aerodynamic optimizing of vehicle side lines
- △ Material is PU-RIM
- △ Kit complete with installation hardware, painting and installation instructions
- △ Painting recommended
- △ Available pre-painted – please see your drop ship screen

Rear Skirt; Grille



Part No.	Description	Application	Availability
8E0 071 610 U 9AX ¹ or 8E0 071 610 DS ***	Rear Skirt	A4 Sedan only	02 ▶ 05
Dealer Drop Ship Program - See Parts On Command - Drop Ship Screen			
¹ Trim pieces 8E0 071 611 B 041 must be ordered separately for dual exhaust pipes			

- Δ Aerodynamic optimizing of vehicle front end
- Δ Material for diffuser is PU-RIM
- Δ Kit complete with installation hardware, painting and installation instructions
- Δ Spoiler is primed
- Δ Painting recommended

Spare Parts

8E0 071 610 9AX	Middle Rear Grille
000 071 780	Adhesive

8EC 071 611A 9AX	Rear Diffusor	All new 2005 ▶
-------------------------	---------------	----------------

8D0 853 651 T 1L1	Grille upgrade	A4	96 ▶ 01
	"RS4" front grille	S4	00 ▶ 02
Black cross mesh			
Includes chrome Audi Rings			

- Δ Add style by replacing standard A4 or S4 front grille with a motorsport inspired "RS4" cross mesh style front grille



8E0 853 361 G 5PV 8E0 807 647 C 5PV	S line Blackout Grilles		
	upper	A4	02 ▶ 05
	lower		
8E0 807 647 B 35R	upper	S4	04 ▶ 05



Engine Cover; Badges

Part No.	Description	Application	Availability
078 103 927 T	Carbon Fiber Engine Cover "RS4"	S4	00 ▶ 02
078 103 935 Q	Audi Rings		
078 103 936 H	V6 Bi-Turbo Center piece Left side Right side		

Δ Made of carbon fiber
 Δ All three pieces replace standard 2.7T engine cover
 Δ Use standard mounting points and hardware

SELL OUT ITEM



S4 Badge
 S4 emblem upgrade
 two chrome bars, one red

8D0 853 736 C 2ZZ	front	A4 Sedan/Avant S4	96 ▶ 01 00
8D5 853 737 G 2ZZ	rear	A4 Sedan S4	96 ▶ 01 00
8D0 853 737 B 2ZZ	rear	A4 Avant S4	98 ▶ 01 2/99 ▶ 4/00



8D0 853 736 E 2ZZ	front	A4 Sedan/Avant S4	96 ▶ 01 01 ▶ 02
8D0 853 737 G 2ZZ	rear	A4 Sedan S4	96 ▶ 01 01 ▶ 02

8N0 853 601 A	S line Emblem front	A4	02 ▶
8D0 853 737 G ZZZ	rear		

Splash Guards



Part No.	Description	Application	Availability
	Splash guards, Set of 2 complete with mounting hardware and installation instructions		
8E0 075 111A 8EC 075 101	Front Rear	A4 Sedan/Avant All new 2005 ▶ A4 Sedan/Avant All new 2005 ▶	
8E0 075 111 8E0 075 101	Front Rear	A4 Sedan/Avant A4 Sedan/Avant	02 ▶ 05 02 ▶ 05
ZAW 166 309	Set of 4 Paintable	S4 Sedan/Avant SELL OUT ITEM	00 ▶ 02
ZAW 166 307 ZAW 166 308	Front Rear Paintable	A4 Sedan/Avant SELL OUT ITEM	96 ▶ 01
8D0 075 111 C 8D0 075 101 B 8D0 075 101 C	Front Rear FWD Rear quattro	A4 Sedan/Avant	2/99 ▶ 01
8H0 075 101 8H0 075 111	Front Rear	A4 Cabriolet	03 ▶

△ Full width to insure body protection behind wheels from stone chipping,
sandblasting, road-tar and unsightly splashing effects

△ Made of long-life, crack resistant rubber

Note: Not to be used with sport springs (lowering springs) or aerodynamic styling kits

Car Cover

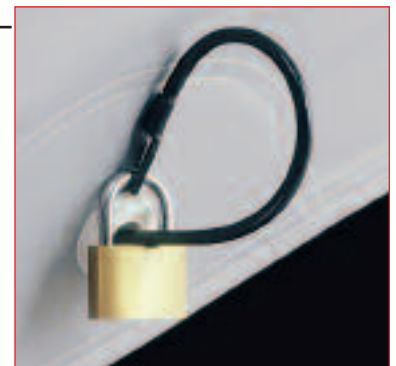


Part No.	Description	Application	Availability
	Car Cover – Stormshield™		
ZAW 400 100A	Audi Logo	A4 Sedan	All new 2005 ▶
ZAW 400 100	Audi Logo	A4 Sedan	96 ▶ 02
		S4 Sedan	00 ▶ 02
ZAW 400 140		A4 Cabriolet	03 ▶
ZAW 400 101		A4 Avant	98 ▶ 02
		S4 Avant	01 ▶ 02
ZAW 400 130	Sport Logo CLOSE OUT	A4 Sedan	96 ▶ 02
		S4 Sedan	00 ▶ 02
ZAW 400 131		A4 Avant	98 ▶ 02
		S4 Avant	01 ▶ 02

- Δ Color gray
- Δ Urethane-acrylic coated polyester knit fabric
- Δ Complete with storage bag
- Δ High degree of moisture repellence and breathability
- Δ Long life ultraviolet (UV) resistance
- Δ Resistance to dust, acid rain, tree sap and other airborne particulate matter
- Δ Light weight for easy installation and removal
- Δ Custom mirror pockets
- Δ Plastipane rear license plate window
- Δ Double stitch seams for strength and long life
- Δ Elasticized hems for fit and stability and tie-down grommets

ZAW 400 110 Cable and Lock set All

The nonscratching plastic coated cable slides through the special sewn-in grommets, and the lock keeps the cover secured to the vehicle. Works with all Audi covers.



Air Deflectors



Part No.	Description	Application	Availability
	Air Deflector - Sunroof, kit complete with mounting hardware		
8D0 072 192		A4 Sedan/Avant	96 ▶ 01
		S4 Sedan/Avant	00 ▶ 02
ZAW 452 400		A4 Sedan/Avant	02 ▶
		S4 Sedan/Avant	04 ▶

- △ One-piece molded tinted acrylic plexiglas
- △ Rubber mounting gasket pre-installed
- △ One bracket per side clamps into sunroof opening—installation without drilling
- △ Deflects rain and wind
- △ Allows draft-free ventilation

Installation time units: 20



Side Window deflector
Set of 2

ZAW 452 401	Front	A4 1.8T Sedan/Avant	98 ▶ 01
ZAW 452 402	Front	A4 2.8 Sedan/Avant	96 ▶ 01
		S4 Sedan/Avant	00 ▶ 02
ZAW 452 403	Rear	A4, S4 Avant	98 ▶ 02

- △ Permit windows to be slightly open for ventilation during inclement weather
- △ Deflectors are made of molded tinted acrylic plexiglas
- △ Install without tools: beveled edges fit into window channel opening

CHECK YOUR STATE AND LOCAL REGULATIONS CONCERNING THE USE OF SIDE WINDOW DEFLECTORS.



Wheel Bolts; Wrench; Valve Caps

Part No.	Description	Application	Availability
000 071 597	Lockable Wheel Bolts, Set of 4 Complete w/keys, dust caps and instructions	S4 A4	92 ▶ 02 96 ▶
000 071 598		S4	04 ▶

Δ Max. torque for all alloy wheels is 80 ft./lbs. – threads dry.
 Δ Impact tools are not recommended.



ZAW 173 003	Wheel Bolt Wrench dual socket, 17 and 19 mm	All late model Audi vehicles with 17 or 19mm hex bolts.
--------------------	--	--

Δ Storage Pouch with logo
 Δ 19" chromed tire iron adds increased leverage to loosen and tighten wheel nuts
 Δ Rubber grip
 Δ Two sockets included

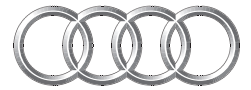


	Valve Stem Cap Set of 5	All
ZAW 355 000 SR	Audi Sport – red	
ZAW 355 000 SP	Audi Sport – black	
ZAW 355 000 A	Audi Logo	
ZAW 355 004	A4 Logo	

Quality chrome-plated solid brass construction for durability. Each valve stem cap has an o-ring seal built in, to help ensure valve stem pressure integrity. Five valve stem caps per package—one for each wheel including the spare.



4B0 012 219 B	BBS Center Cap Removal Tool
----------------------	-----------------------------



Audi

Alloy Wheels

Part No.	Description	Application	Availability	Size
4A0 071 495 1ZL	8Jx17 R035 10 spoke light alloy wheel Complete with Audi center cap Brilliant/silver metallic Uses standard wheel bolts Rubber valve stem	A4 Sedan A4 Avant	96 ▶ 05 96 ▶ 05	235/45 R17



Bolero

Single Components
4A0 071 213 666

Center Cap – Audi Rings

4B5 071 492 666	7.5Jx17 R045 12 spoke light alloy wheel Complete with Audi center cap Avus silver Uses standard wheel bolts Rubber valve stem	A4 Sedan A4 Avant	02 ▶ 02 ▶	235/45 R17
------------------------	--	----------------------	--------------	------------



Pacino

Single Components
8E0 601 165 7ZJ

Center Cap – Audi Rings

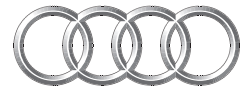
8E0 071 492 666	7.5Jx17 R045 7 spoke light alloy wheel Complete with Audi center cap Avus silver Uses standard wheel bolts Rubber valve stem	A4 Sedan A4 Sedan	02 ▶ 02 ▶	235/45 R17
------------------------	---	----------------------	--------------	------------



Calina

Single Components
8E0 071 214

Center Cap – Audi Rings



Audi

Alloy Wheels

Part No.	Description	Application	Availability	Size
8D0 071 499 666	7Jx16 R045 7 spoke light alloy wheel Complete with Audi center cap Brilliant/silver metallic Uses standard wheel bolts Rubber valve stem	A4 Sedan A4 Avant	96 ▶ 05 96 ▶ 05	205/55 R16




Swing

Single Components
4A0 071 213 666 Center Cap – Audi Rings

4B0 071 492 666	7.5Jx17 R038 5 spoke light alloy wheel Complete with Audi center cap Avus silver Uses standard wheel bolts Rubber valve stem	A4 Sedan A4 Avant 1.8T only	96 ▶ 01	225/45 R17 235/45 R17
------------------------	---	--------------------------------	---------	--------------------------



Tocatta

 **Not for cars with 313mm x 25mm brakes**

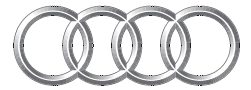
Single Components
8L0 071 213 666 Center Cap – Audi Rings

4D0 601 025 AH 1H7	8Jx18 R043 9 spoke light alloy wheel	A4 S4	02 ▶ 00 ▶ 02	225/40 ZR18
---------------------------	---	----------	-----------------	-------------



RS4

Component not supplied with wheel
8D0 601 165K 1H7 Center Cap – Audi Rings



Audi

Alloy Wheels

Part No.	Description	Application	Availability	Size
8D0 601 025R Z17	7.5Jx17 RO43	A4 Sedan	96 ▶	225/45 R17
	16 spoke light alloy wheel	A4 Avant	96 ▶	
	Complete with Audi center cap	S4 Sedan	00 ▶ 02	
	Brilliant/silver metallic	S4 Avant	00 ▶ 02	
	Uses standard wheel bolts Rubber valve stem			
500 080 003 02 DSP	7.5Jx17 RO43	A4 Sedan	96 ▶ 01	
	Complete with 225/45 R17 tire	A4 Avant	98 ▶ 01	
		S4	00 ▶ 02	



Single Components

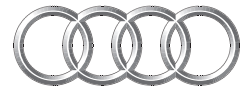
8D0 601 165J Z17 Center Cap – Audi Rings

8E0 601 025AC 1H7	7.5Jx17 RO43	A4	96 ▶ 01	225/45 R17
	9 spoke light alloy wheel	A4	02 ▶	235/45 R17
	Complete with Audi center cap	S4 Sedan	00 ▶ 02	
	Brilliant/silver metallic	S4 Avant	00 ▶ 02	
	Uses standard wheel bolts Rubber valve stem		00 ▶ 02	225/45 R17



Component not supplied with wheel

8D0 601 165K 1H7 Center Cap – Audi Rings



Audi

Alloy Wheels

Part No.	Description	Application	Availability	Size
8D0 071 493 666	7Jx17 R045 10 spoke light alloy wheel Complete with Audi center cap Brilliant/silver metallic Uses standard wheel bolts Rubber valve stem	A4 Sedan A4 Avant	96 ▶ 01 ▶ 02	225/45 R17 235/45 R17

SELL OUT ITEM



Capezio

Single Components

8L4 071 214 Center Cap – Audi Rings



Audi

Alloy Wheels


Part No.	Description	Application	Availability	Size
8D0 601 025 C Z17	7Jx16 RO45 5 spoke light alloy wheel	A4 Sedan A4 Avant	96 ▶ 01	205/55 R16
Component not supplied with wheel				
4B0 601 170 7ZJ	Center Cap			
Type CIL				
8D0 601 025 J Z17	7Jx16 RO45 10 spoke light alloy wheel	A4 Sedan A4 Avant	96 ▶ 01	205/55 R16
Component not supplied with wheel				
8D0 601 025 P Z17	Center Cap			
Type C4X				
8D0 601 025 N Z17	7.5x17 RO45 6 spoke light alloy wheel	A4 Sedan A4 Avant	96 ▶ 01	225/45 R17
Component not supplied with wheel				
8D0 601 165 E Z17	Center Cap			
Avus				





Audi

Alloy Wheels

Part No.	Description	Application	Availability	Size
4B9 071 492 666	7.5Jx17 RO45 Light alloy wheel Complete with Audi center cap Uses standard wheel bolts Rubber valve stem	A4 Sedan A4 Avant	02 ▶ 05	235/45 R17
				
Cantona				
Component not supplied with wheel				
4B9 071 214	Center Cap			
<hr/>				
8E0 601 025 F Z17	Winter Wheel 7Jx16 H2 RO45	A4 quattro 3.0L FrontTrak	02 ▶ 05	205/55 R16 91H
8E0 601 025 P Z17	6Jx16 ET40	S4	00 ▶ 02	
Component not supplied with wheel				
8D0 601 170 Z17	Center Cap	8E0 601 025 F Z17		
8D0 601 165 E Z17		8E0 601 025 P Z17		
<hr/>				
8E0 601 027 03C	Winter Wheel 6.5Jx15 H2 RO33	A4 quattro 1.8T FrontTrak	02 ▶ 05	195/65 R15 91H
8E0 601 025 Z17	6 spoke	A4 Avant	02 ▶ 05	
Component not supplied with wheel				
8L0 601 147 Z17	Center Cap	8E0 601 027 03C		



Audi

Winter Alloy

Part No.	Description	Application	Availability	Size
4F0 071 496A 666	7Jx16 HZ ET42	Sedan/Avant	▶ 05	205/55R 16 94H





Audi

Alloy Wheels

Part No.	Description	Application	Availability	Size
4D0 601 025 AC Z17	8Jx18 RO43 Light alloy wheel Complete with Audi center cap Brilliant/silver metallic Uses standard wheel bolts	A4 Sedan A4 Avant	02 ▶	235/40 ZR18



RSII

Component not supplied with wheel

4D0 601 165 K Z17	Center Cap
--------------------------	------------

500 080 003 87 DSP	Wheel and tire combination 7.5Jx17 RO43 Complete with: 235/45 ZR17 tire Audi center cap Removal tool for center cap BBS logo valve stem caps	A4 Sedan A4 Avant	02 ▶
---------------------------	---	----------------------	------



RC

Dealer Drop Ship Program

Single component 8D0 601 165J Z17	Center Cap - Audi Rings
--	-------------------------

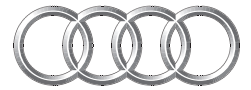
500 080 003 04 DSP	Wheel and tire combination 8Jx18 RO43 Complete with: 235/40 ZR18 tire Audi center cap Removal tool for center cap BBS logo valve stem caps	A4 Sedan A4 Avant	02 ▶
---------------------------	---	----------------------	------



RSII




Dealer Drop Ship Program

Single component 4D0 601 165K Z17	Center Cap
--	------------



Audi

Alloy Wheels

Part No.	Description	Application	Availability	Size
8H0 071 498 666	8x18 Light alloy wheel Complete with Audi center cap Uses standard wheel bolts Rubber valve stem	A4	02 ▶ 05	235/40 R18
				
Calita by BBS				
<hr/>				
8E0 601 025 J Z17	7.5 x 17 Light alloy wheel Uses standard wheel bolts Rubber valve	A4	02 ▶ 05	235/45 R17
				
CD0				
<hr/>				
8E0 601 025E Z17	7.5x17 Light alloy wheel Uses standard wheel bolts Rubber valve	A4	02 ▶ 05	235/45 R17 93Y
				
C1X				
<hr/>				
Single Component 4B0 601 170A 7ZJ	Center Cap			
<hr/>				
Component not supplied with wheel 4B0 601 170 7ZJ	Center Cap			



Sport Springs

Note: Four wheel electronic wheel alignment required after installation



Part No.	Description	Application	Availability	Engine	Transmission
	Sport Suspension Kit kit complete				
8D0 071 677 A DSP		A4 Sedan FrontTrak	97 ▶ 01	1.8	Auto & Manual
8D0 071 678 A DSP		A4 Sedan FrontTrak	96 ▶ 01	2.8	Auto & Manual
8D9 071 677 A DSP		A4 Avant FrontTrak	98 ▶ 01	1.8	Auto & Manual
8D9 071 678 A DSP		A4 Avant FrontTrak	98 ▶ 01	2.8	Auto & Manual
8D4 071 677 A DSP		A4 Sedan quattro	97 ▶ 01	1.8T	Auto & Manual
8D4 071 678 A DSP		A4 Sedan quattro	96 ▶ 01	2.8	Auto & Manual
8D9 071 677 B DSP		A4 Avant quattro	98 ▶ 01	1.8T	Auto & Manual
8D9 071 678 B DSP		A4 Avant quattro	96 ▶ 01	2.8	Auto & Manual

- △ Eibach® manufactured and specially tuned for Audi
- △ Creates a sportier profile by lowering ride height ~ 1.5"
- △ Chassis responsiveness is also increased

Dealer Drop Ship Program - USA

	Sport Suspension Kit kit complete				
8D0 071 677 A		A4 Sedan FrontTrak	97 ▶ 01	1.8	Auto & Manual
8D0 071 678 A		A4 Sedan FrontTrak	96 ▶ 01	2.8	Auto & Manual
8D9 071 677 A		A4 Avant FrontTrak	98 ▶ 01	1.8	Auto & Manual
8D9 071 678 A		A4 Avant FrontTrak	98 ▶ 01	2.8	Auto & Manual
8D4 071 677 A		A4 Sedan quattro	97 ▶ 01	1.8T	Auto & Manual
8D4 071 678 A		A4 Sedan quattro	96 ▶ 01	2.8	Auto & Manual
8D9 071 677 B		A4 Avant quattro	98 ▶ 01	1.8T	Auto & Manual
8D9 071 678 B		A4 Avant quattro	96 ▶ 01	2.8	Auto & Manual

- △ Eibach® manufactured and specially tuned for Audi
- △ Creates a sportier profile by lowering ride height ~ 1.5"
- △ Chassis responsiveness is also increased

PDC Program - Canada

Sport Exhaust Muffler



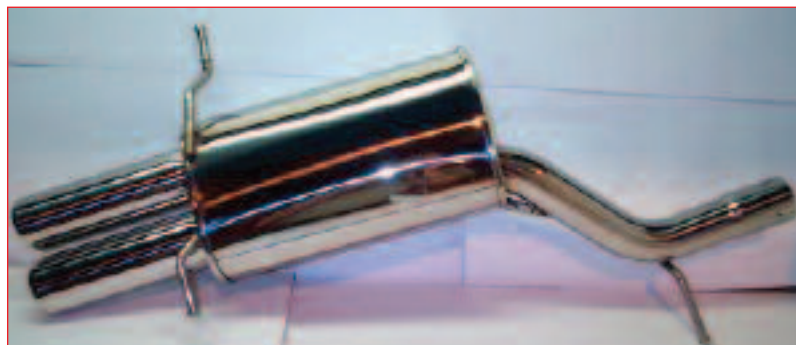
Part No.	Description	Application	Availability
	Sport Exhaust Muffler by Remus		
8D0 071 902 U¹		A4 Sedan 1.8 FrontTrak	2/99 ▶ 01
8D0 071 902 UA		A4 Sedan 2.8 FrontTrak	2/99 ▶ 01
8D0 071 905 U		A4 Sedan quattro 1.8/2.8	2/99 ▶ 01
		A4 Avant quattro 1.8/2.8	2/99 ▶ 01

- △ Enhance the look and sound
- △ Helps increase torque by reducing back pressure
- △ Long life stainless steel construction
- △ Matte black paint with polished steel tips
- △ Limited lifetime warranty

¹ requires extra cutting to accommodate correct factory cut points

It's the exhaust system that sounds as good as it looks. Made of highly polished T304 stainless steel, these sport mufflers feature angle-cut, twin 3 inch polished double wall tips. Backed by the Audi Limited Lifetime Warranty.

8D0 071 902 UC	Polished Stainless Steel	A4 1.8 FrontTrak	97 ▶ 01
8D0 071 902 UD	Performance Muffler	A4 2.8 FrontTrak	96 ▶ 01
8D0 071 902 UB		A4 quattro	96 ▶ 01



Take the performance look and sound of your S4 to the next level. Made of highly polished T304 stainless steel, this exhaust system features high-quality, mandrel bent 2.5-inch tubing, and TIG welded seams. The muffler features angle-cut, twin 3-inch polished double wall tips. Includes all necessary hardware. Backed by the Audi Limited Lifetime Warranty.

Exhaust Tips



Part No.	Description	Application	Availability
ZAW 806 004 ZAW 806 005 8E0 071 910	Exhaust Tips Stainless steel set of 2	A4 Sedan/ Avant 1.8T A4 Sedan/ Avant 2.8 A4 Sedan/ Avant 1.8T, 3.0 A4 Sedan/Avant 2.0T & 3.2	97 ▶ 01 96 ▶ 01 02 ▶ 05 All new 2005 ▶

- △ Exhaust tips
- △ Manufactured of highly polished stainless steel
- △ End tips have rolled edges and angle cut
- △ Kit includes two exhaust tips
- △ Attach with 6 stainless steel socket head screws