



A6/S6/RS 6 Index

Radio/Electrical

Satellite Phone.....	2
Rear Seat Entertainment	3
Cellular Phone Handset	4
Cellular Phone Cradle.....	5
Car Kit Interface	6
Console Phone Holder	7
DVD Navigation Kit	8
CD Changer; Cassette Box.....	9
Halogen Map Reading Light.....	10
Mini Flashlight	10
Fuses	10

Interior

Floor Mats:	
Rubber	11
Multi-Season Carpeted	12
Rear Sunshade.....	13
Rear Blinds	13
UV Sunshield.....	13
Foam Rubber Cargo Mat.....	14
Molded Carpeted Trunk Mat	14
Custom Cargo Mat	14
Carpeted Trunk Mat.....	15
Gearshift Knob.....	16-17
Net Partition	18

Exterior

Roof Carrier System:	
Cross Bars	19
Bicycle Carrier System	21
Bike Holder Attachment (1 bike) Fork Mount.....	22
Surfboard/Kayak Holder	23
Luggage Basket	24
Softside Luggage Carrier.....	25
Aluminum Basket	25
Snowboard/Ski Attachment	26
Chrome Grille Strips.....	27
Carbon Fiber Engine Cover.....	27
Spoiler.....	28
Door Sill Plates.....	29
Splash Guards.....	30
Car Cover	31
Air Deflector:	
Sunroof	32
Side Window	32
Wheel Bolts	33
Wheel Bolt Wrench	33
Valve Stem Caps	33
Alloy Wheels.....	34
Sport Springs.....	41
Exhaust Tips	42



Satellite Radio



Part No.	Description	Application	Availability
*8E0 057 593	Sirius Satellite receiver	A6 Sedan	2004
		S6	2003
		RS 6	2003
		A6 Avant	2004
Requires 4x mounting screw M4.8X19 N 0139755 and 4x expanding nut 811807577C			
4E0 057 593	Sirius Satellite Radio	A6 Sedan	05 ▶
		A6 Avant	06 ▶
4E0 057 593 D	Sirius Satellite Radio	A6 Sedan	05 ▶
4E0 057 593 H	Sirius Satellite Radio	A6 Sedan	05 ▶ with tire press mon.
8E0 057 593 D	Sirius Satellite receiver	A6 Sedan	2004
		S6	2003
		RS 6	2003
		A6 Avant	2004

SIRIUS Satellite Radio delivers more than 125 channels of the best programming in all of radio. SIRIUS is the original and only home of 100% commercial free music channels in satellite radio, offering 67 music channels available nationwide. SIRIUS also delivers 61 channels of sports, news, talk, entertainment, traffic, weather and data. SIRIUS is the Official Satellite Radio Partner of the NFL, NBA, and NHL and broadcasts live play-by-play games of the NFL, NBA, and NHL. Plus NASCAR moves to SIRIUS in 2007.

The only home of 100% commercial-free music channels – With dedicated channels for nearly every genre, you hear the music you want, commercial free.

Live play-by-play & expert talk from the biggest sports – NFL, NBA, NHL, and games from over 150 college sports teams, Plus NASCAR moves to SIRIUS in 2007.

Exclusive Entertainment & Talk – Howard Stern, Blue Collar Comedy, Maxim Radio, Jim Breuer and much more

Especially for Women – Lifestyle and how-to-programming from Martha Stewart Living Radio, Cosmopolitan Radio, Barbara Walters, Candance Bushell and more

World class news – Stay informed with FOX, CNN, NPR, the BBC and more. Plus local traffic & weather.

Family & Kids – It’s G-rated fun for everyone with Radio Disney, Kids Stuff, and Laugh Break Comedy.

Visit www.accessAudi.com for regular program updates and special promotions.

XM Receivers will no longer be available after July 30, 2006.

* Not for vehicles with (TPMS)



Rear Seat Entertainment

Part No.	Description	Application
----------	-------------	-------------

000 051 740	Multimedia-Family-Kit "DVD-Voyager 2" 2 Screen System	All
--------------------	---	-----

- Δ Multimedia Disc Player
- Δ **2 Screens 7" (NTSC Format)**
- Δ **2 Cordless Headphones**
- Δ Remote Control
- Δ Set of Batteries (AAA)
- Δ Headrest Mounts
- Δ Required Cables
- Δ Carrying Case
- Δ Headrest Mounts
- Δ User Manual
- Δ Home Mount



000 051 704	Multimedia-Kit "DVD-Voyager 2" Single Screen System	
--------------------	---	--

- Δ Multimedia Disc Player
- Δ 7" Screen (NTSC Format)
- Δ Cordless Headphones
- Δ Remote Control
- Δ Set of Batteries (AAA)
- Δ Headrest Mount
- Δ Required Cables
- Δ Carrying Case
- Δ Headrest Mounts
- Δ User Manual
- Δ Home Mount



000 051 710	"DVD-Voyager 2" Additional Components Additional Cordless Headphone	
000 051 723	Remote Control	
000 051 732	Additional 7" Screen	

The Go Anywhere DVD-Entertainment System – The portable Multimedia "DVD-Voyager 2" is the perfect motoring accessory for the whole family ensuring fun and excitement for the backseat passengers. The DVD-Voyager offers entertainment anytime and anywhere, in vehicle, on vacation, in a motorhome, at home or at work. The "DVD-Voyager 2" is specially designed for automotive grade.



Audi

Cellular Phone Handset USA

Part No.	Description	Application	Availability
ZAW 376 002 D ZAW 376 008	Cell Phone Handset Motorola® V.60 CDMA Verizon, all markets Sprint V60X	In vehicles equipped with OnStar™	2002 ▶ 2004
	Motorola® V.60i TDMA		



- Δ External Caller ID Display¹ - Identify the caller without even opening the phone.
- Δ Displays time, date and more
- Δ Voice Recognition - Voice activated dialing and voice activated short-cuts save time.
- Δ New User Interface - Designed to be intuitive and easy to use with improved user navigation and visual cues.
- Δ Personal Information Management - A phone book to store contacts and alarmed date book help manage your schedule
- Δ iTAP™ Software - Helps you enter text easily by anticipating the word you are trying to spell
- Δ USB port allows consumer to synch up with phone book and PC
- Δ Display zoom setting to increase the size of the font
- Δ Voice Notes - voice annotation
- Δ 32 standard and 32 customizable ringer tones



Battery and Display Specifications²

TDMA 800 / 1900 MHz Amps 800 MHz

Talk Time ²	High Performance Li Ion	Digital up to 120 - 240 minutes Analog up to 45 - 55 minutes
------------------------	-------------------------	---

	Extra Capacity Li Ion 1100 mAh Battery	Digital up to 155 - 310 minutes Analog up to 55 - 70 minutes
--	---	---

Standby Time ²	High Performance Li Ion	Digital up to 144 - 192 hours Analog up to 23 - 26 hours
---------------------------	-------------------------	---

	Extra Capacity Li Ion 1100 mAh Battery	Digital up to 186 - 248 hours Analog up to 29 - 33 hours
--	---	---

Display	Large Electro-Luminescent display that includes 3 lines of text, 1 line of icons and 1 line of prompts
---------	--

¹Network and subscription dependent feature. Not available in all areas

²Battery life, talk and standby times are approximate and depend on net work configuration, signal strength, features selected, customer usage patterns and if the phone is in digital mode.

CANADA

Drop shipped to dealer preset for Bell, Rogers AT&T. Dealer or client responsible for activation—Canada.

ZAW 376 005 A DSP ZAW 376 007 A DSP	Bell Mobility Rogers AT&T	In vehicles equipped with OnStar™	2002 ▶ 2004
--	------------------------------	---	-------------

SELL OUT ITEM

Cellular Phone Cradle



Part No.	Description	Application	Availability
4B0 898 431 A	Cell Phone Cradle for vehicles equipped with OnStar™ V60s (verizon) V60x (sprint)	A6, S6 RS 6	2002 ▶ 2004 2003

Kit consists of:
Qty.

Qty.	Description	Part Number
1	Fixture - cellular phone, black	4B0 862 413A 6PS
4	Torx head bolt M3,5x13MK	N 910 183 01
4	Washer 3,7x8x1	8E0 862 995
4	Bushing	8E0 862 805
1	Button, black	4B0 862 415 4PK
1	Mounting, black	8D0 035 721A 6PS
2	tapping screw, fill head ST2,5x9,5	N 013 953 7
1	Handy - adapter	8E1 862 407



Cell Phone Cradles for vehicles equipped with Bluetooth™ Technology

4F0 051 435 E	Cradle for Audi V60 (not a Bluetooth™ phone) Requires Audi V60 ZAW 376 002D or ZAW 376 008	A6 A6 Avant	2005 ▶ 2006 ▶
4F0 051 435 D	Cradle for Sony Ericsson T600 Series	A6 A6 Avant	2005 ▶ 2006 ▶
4F0 051 435 C	Cradle for Motorola V710	A6 A6 Avant	2005 ▶ 2006 ▶
4F0 051 435 B	Cradle for Motorola V600	A6 A6 Avant	2005 ▶ 2006 ▶



Car Kit Interface



Part No.	Description	Application
8E0 051 434 A	Audi Car Kit Interface Harness	Vehicles equipped with A6 ◀ 2005 Symphony I & II Concert I & Concert II

△ **NOT COMPATIBLE WITH ANY VEHICLE EQUIPPED WITH OnStar™**

△ **NOT COMPATIBLE WITH ANY VEHICLE EQUIPPED WITH Audi Navigation Plus**

△ To purchase the appropriate phone car kit with Bluetooth® wireless technology or Cradle-based phone car kit solutions contact either Nokia™ (www.nokiahandsfree.com) or Motorola™ (www.neverwired.com)



Cellular Phone

Part No.	Description	Application
4B1 051 601A 1EJ	Molded Console Phone Holder Onyx	A6 S6 RS 6 98 ▶ 2004 02 ▶ 03 03

- Δ Custom designed console to keep phone within easy reach
- Δ Installs on center console to give an integrated look
- Δ Accepts hand-free loudspeakers
- Δ Phone mounting hardware sold separately; available locally





DVD Navigation Kit

Part No.	Description	Application	Availability
4F0 051 322 4E0 0910 887K	Kit Harness DVD Player DVD Navigation Disc Call Navteq 888-628-6277	A6 Sedan	2005 ▶ 2006



CD Changer; Cassette Box



Part No.	Description	Application	Availability
4B0 035 111 A	CD Changer Trunk Mounted	A6 Sedan, Avant S6 RS 6	98 - 2004 01 - 2003 03

Note: requires 4 screws PN **N 014 128 11**

Installation time units: 45

000 051 103 A	CD Changer retrofit kit	A6, S6, RS 6	03 ▶
----------------------	-------------------------	--------------	------

Installation time units: 150 time units

Δ Retrofit kit includes CD Changer harness, "L" brackets and mounting hardware
 Note: Retrofit kit may be required for some 2003 vehicles and all 2004 vehicles.



3B0 051 179	CD Magazine Cartridge 6 disc		
4B0 035 111 A	CD Changer		

- Δ Pre-load 6 additional CDs
- Δ While inserting, magazine must be kept level to prevent discs from sliding out
- Δ Avoid inserting tray diagonally into slots
- Δ Only one tray per slot



4B0 061 130 ***	Cassette Box 3 cassettes	A6 RS 6	98 ▶ 04 01 ▶ 03
------------------------	-----------------------------	------------	--------------------

- Δ For holding three (3) cassettes with exclusive drawers
- Δ One-handed operation
- Δ Spring loaded cassette holder provides fingertip access
- Δ Protects cassettes from dirt and heat
- Δ Practical visual check thanks to drawer-fill display
- Δ Only in combination with standard tunnel compartment

*** = Color Code:

6DP Onyx, **5FS** Slate, **4SM** Royal Blue, **3SL** Lagoon, **2SK** Melange, **1YQ** Terra





Map Reading Light; Fuses

Part No.	Description	Application	Availability
ZVW 265 001	Halogen Map Reading Light Lighter Plug w/Lighter Socket 8" Flexible Arm	All 12V	

- △ 12 Volt low-energy halogen lamp which plugs into lighter socket
- △ Lamp has a 8 inch flexible neck and can be tilted in any direction
- △ Emits a bright, glare-free light. Oversized switch is mounted on top for easy on/off

SELL OUT ITEM



4F0 947 175	Mini Flashlight	All Audi Models
--------------------	-----------------	-----------------

LED mini flashlight.
The travelers friend.

This convenient light is rechargeable and gives you approximately 30 minutes of operating time. Simply turn the head to operate. The LED service life is approximately 20,000 hours. To charge simply plug it in to your Audi's 12 volt power outlet. Available for all Audi models.



ZAW 998 999	Blade Fuses Fuse Kit (Plug-in type)	All
--------------------	--	-----

- △ Assortment of 12 of the most commonly needed fuses in self serve/display package
- △ Clear plastic box inside blister is suitable for storage in glove compartment

Assortment of 12 Blade-type fuses:

2	5 Amp	N 017 131 16 (Tan)
2	10 Amp	N 017 131 11 (Red)
2	15 Amp	N 017 131 12 (Light Blue)
2	20 Amp	N 017 131 13 (Yellow)
2	25 Amp	N 017 131 14 (Natural)
2	30 Amp	N 017 131 15 (Light Green)





Floor Mats



Part No.	Description	Application	Availability
	Premium All-Weather Rubber Mats (set of 4) A6 Logo		
ZAW 179 002A BLK ¹	black	A6/sedan/Avant	99 ▶ 2004
ZAW 179 002A CLY ¹	clay	(2.8/2.7T, 3.0)	
ZAW 179 005 BLK ²	black	A6/S6 sedan/Avant (4.2L)	00 ▶ 2004
		RS 6 (black only)	03
4F1 061 550H 041	black	A6	2005 ▶
*4F1 061 450A 041	black	A6	2006 ▶

Authentic Audi All-Weather Floor Mats feature a deep ribbed channel design to protect the floor carpeting from water, sand, mud, and snow. Our rubber mats conform to the vehicles' exact contours for maximum protection of the interior. Authentic mats possess safety features like positive retention anchors and an exclusive chevron w/nib design for added security. Rubber mats are black or clay, with contrasting A6 logo to complement your interior. (Except A6 4.2 model.) New rubber mats may emit a naturally occurring-odor. We recommend washing mats with a light detergent prior to installation. (Set of 4.)

¹doughnut with hole ²no logo on mat

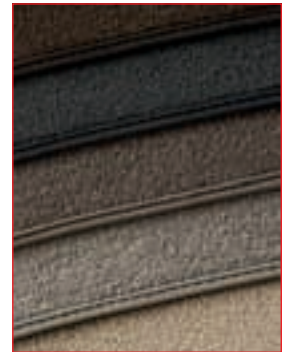
* For vehicles built after March 14, 2006.



Floor Mats

European Rubber Mats (set of 2)			
4B1 061 501 041	front	A6	97 ▶ 98
4B0 061 511A 041	rear		
4B1 061 501C 041	front	A6	99 ▶ 2004
4B0 061 511B 041	rear		
European Style Floormats			
4F1 061 501 041	front black	A6	2005 ▶
4F1 061 501 528	front gray	A6	2005 ▶
4F0 061 511 041	rear black	A6	2005 ▶
4F0 061 511 528	rear gray	A6	2005 ▶

Original Equipment Replacement Mats			
4B1 061 225 EC 90G	front (Black)	A6	99 ▶ 04
4B1 061 225 EC 7EX	front (Onyx)	A6	99 ▶ 04
4B1 061 225 EC 91H¹	front (Swing—light gray)	A6	99 ▶ 04
4B1 061 225 EC 92J¹	front (Twist)	A6	99 ▶ 04
4B1 061 225 EC 92S¹	front (Maritime Blue)	A6	99 ▶ 04
4B1 061 225 EC 3K2¹	front (Platinum—light gray)	A6	99 ▶ 04
4B7 061 225 EA7 EX	front (Black/Onyx)	RS 6	03 ▶
4B3 061 226 EA7 EX	rear (Black/Onyx)	RS 6	03 ▶
4B0 061 226 ED 91H¹	rear (Swing—light gray)	A6	99 ▶ 04
4B0 061 226 ED 92J¹	rear (Twist)	A6	99 ▶ 04
4B0 061 226 ED 92S¹	rear (Maritime Blue)	A6	99 ▶ 04
4B0 061 226 ED 3K2¹	rear (Platinum—light gray)	A6	99 ▶ 04
4B1 061 226 ED 90G	rear (Black)	A6	99 ▶ 04
4B1 061 226 ED 7EX	rear (Onyx)	A6	99 ▶ 04
4B7 061 225 EA ***²	front (original equipment)	RS 6,A6,S6 sedan/Avant	10/98 ▶ 04
4B3 061 226 EA ***	rear (original equipment)	(4.2L)	10/98 ▶ 04



Installation time units: 20

Part No.	Description	Application	Availability
Multi-Season Carpeted Floor Mats (set of 2)			
4B0 061 601 ***¹	front	A6 sedan/Avant	98 ▶ 2004
4B0 061 611 ***³	rear	(2.8/2.7T)	
4B0 061 601 A ***¹	front	A6 (except 4.2)	99 ▶ 2004
4B0 061 611 A ***	rear		
ZAW 178 300 ***²	set of 4	A6 sedan/Avant	99 ▶ 2004



*** = Color Code 98:

4LS Royal Blue, **1JP** Terra, **7EX** Onyx, **2LP** Melange, **8JE** Lago Green
 plus OEM: **90G** Dark Brown, **91H** Swing-light gray, **92L** or **92J** Twist Beige, **92S** Blue, **3KE** Platinum

Δ 20 ounce pile floor mats

Δ Precision fit to help protect O.E. carpet from water and dirt

Δ Skid resistant

¹mushroom retention clip ²doughnut with hole ³no retention system

Installation time units: 20



Sunshade; Coat Hanger

Part No.	Description	Application	Availability
4B0 064 160	Rear Window Sunshade	A6 sedan	98 ▶ 04
4B0 064 360*			
4F5 064 360		A6 sedan	2005 ▶

- △ Helps prevent direct sunlight from entering by day and reduction of glare at night
- △ Does not obstruct view

NOT TO BE USED WITH SIDEGUARD CURTAIN AIRBAGS*



Rear Passenger Window Blinds set of 2

4B0 064 362		A6 sedan	98 ▶ 04
<ul style="list-style-type: none"> △ For children or any rear seat passenger △ Helps prevent direct sunlight from entering—reducing heat and glare △ Does not obstruct driver or passenger view △ Smooth, easy operation 			
4B9 064 362		A6 Avant, allroad	01 - 2004

ZAW 400 812	UV Sunshield	RS 6, S6, A6 sedan/Avant	98 ▶ 2004
--------------------	--------------	--------------------------	-----------

- △ Custom cut to fit vehicle
- △ Triple laminated interior
- △ Helps protect vehicle interior from harmful UV rays
- △ Helps reduce inside temperature
- △ Velcro straps store neatly when not in use



ZAW 400 817	UV Sunshield	A6	05 ▶
--------------------	--------------	----	------



Cargo Mat

Part No.	Description	Application	Availability
4F0 061 180	Rubbered Cargo Mat	A6	05 ▶
	Foam Rubber Cargo Mat		
4B0 061 160 A		A6 sedan quattro	98 ▶ 2004
4B9 061 160		A6/S6 Avant	98 ▶ 2004

- Δ Custom-fitted foam trunk liners
- Δ Helps protect trunk while transporting cargo
- Δ Non-slip, easily cleaned with mild soap and water
- Δ Black
- Δ Designed for light duty

SELL OUT ITEM



High line Rubber Molded
Carpeted Trunk Mat
w/ Cargo Management

ZAW 380 300	A6 logo	A6 sedan quattro	98 - 2004
--------------------	---------	------------------	-----------

Covers useable trunk area

Audi molded carpeted mats are made from moisture resistant heavy-duty rubber covered with a plush nylon carpet to help keep your trunk area protected from spills, scratches and dirt that happen when transporting gear. This mat fits perfectly into your vehicle and stays snug. Cleaning is simple, just hose it off or use a mild detergent on heavier stains. The Cargo Logic system is designed to help organize and control movement of items placed in the cargo area of your vehicle. It is not intended for use as a safety restraint and may not be suitable for some large or unsafe objects.



ZVW 380 301	Additional Cargo Blocks		
--------------------	-------------------------	--	--

ZAW452800 BLK	Custom Cargo Mat	A6 Avant S6	98 ▶ 2004 02 ▶ 03
	Comes with A6, S6 nomenclature badges		

- Δ Custom fitted for each model
- Δ Non-slip textured plastic material controls load shifting
- Δ Raised lip contains spills and protects cargo area carpeting from stains
- Δ Easily cleaned with mild soap and water
- Δ Engineered for toughness and durability
- Δ Easy installation





Cargo Mat; Cargo Net

Part No.	Description	Application	Availability
4B9 061 461 ***	Carpeted Cargo Mat	A6 Avant S6 Avant	98 - 2004

*** = Color Codes: **6KQ** Melange, **7EX** Onyx, **1JP** Terra Brown, **8JE** Lago Green, **9LE** Royal Blue

4A9 061 462 ***	Rear Cargo Mat light duty	A6 Avant	96 ▶ 97
------------------------	------------------------------	----------	---------

*** = Color codes: **P60** Ecrú, **3WZ** Platinum, **BV5** Anthracite

Covers useable trunk area

Audi molded carpeted mats are made from moisture resistant heavy-duty rubber covered with a plush nylon carpet to help keep your trunk area protected from spills, scratches and dirt that happen when transporting gear. This mat fits perfectly into your vehicle and stays snug. Cleaning is simple, just hose it off or use a mild detergent on heavier stains. The Cargo Logic system is designed to help organize and control movement of items placed in the cargo area of your vehicle. It is not intended for use as a safety restraint and may not be suitable for some large or unsafe objects.



4A9 861 869	Trunk Cargo Net light duty - Black (1030x960mm)	A6 sedan	98 - 2004
4B9 861 869 ***	heavy duty (1100x970mm)	A6, S6 Avant	98 - 2004
4B5 861 869 01C	Shopping Net	A6 sedan	02 - 2004
4B0 861 8673 94H	Luggage Net with lashing strap Black (1010x967mm)	A6 sedan, Avant PR 6M2, 6M6	02 - 2004
6Y5 867 615 B41	Tie Down Hook requires tapping screws N013 975 4,8x19mm (4x)	A6 sedan	98 ▶ 2004

*** = Color codes: Carrying case colors: **041** Black, **7QM** Melange, **89N** Lago Green, **9ZQ** Terra Brown, **9QP** Royal Blue, **4PK** Black

- Δ Secures trunk contents
- Δ Nylon net construction
- Δ Attaches to existing hooks.



Gear Shift Knob

	Gearshift Knob		
	Walnut Brown (highly polished)		
500 080 000 30 001	Manual Transmission	A6	98 ▶ 01
500 080 000 30 003	(matte finish)	SELL OUT ITEM	

- △ Adds to enhancement of interior appearance
- △ Highly polished walnut
- △ 5 and 6 speed shift pattern inserts included in package
- △ A quattro GmbH design



Gear Shift Knob

Part No.	Description	Application	Availability
8D0 064 226	Gearshift Knob Burl Walnut Manual Transmission	A6	98 ▶ 01

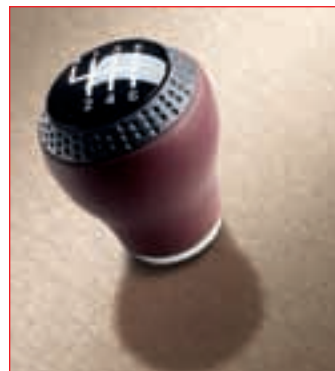


- Δ Adds to enhancement of interior appearance
- Δ Highly polished burl walnut offers firm grip
- Δ 5-speed shift pattern integrated into top for manual transmission

500 080 000 12 ***	Gearshift Knob Leather Sport Manual Transmission 5 or 6 speed	A6	98 ▶ 01
---------------------------	--	----	---------

*** = Color Code: **002** Cognac, **003** Gray, **007** Platinum, **011** Royal Blue, **013** Emerald, **014** Vanilla, **017** Classic Red, **018** Brilliant Red, **019** Lazuli Blue, **020** Begonia Red, **021** Lemond Yellow, **022** Woodruff Green

- Δ For manual transmission only
- Δ Leather wrapped shift knob
- Δ 5 and 6 speed shift pattern inserts included in package
- Δ A quattro GmbH design



4B9 887 053 D 2WQ	Third rear-facing seat Jacquard Renoir - Royal Blue	A6 Avant	98 ▶ 00
4B9 887 053 D 6XQ	- Melange		
4B9 887 053 D 9XS	Chess - Onyx		
4B9 887 053 E 1YS	Jacquard Relief - Slate		
4B9 887 053 E 3YQ	Jacquard Relief - Lago		
4B9 887 053 E 5YP	Jacquard Relief - Terra Brown		

Net Partition



Part No.	Description	Application	Availability
3B9 017 221	Net Partition	A6 Avant	98 ▶ 01

An accessory which has been tried and tested for reliably transporting goods and (four-legged) passengers. Enables the storage area behind the rear seats to be optimally used. The passenger compartment is separated practically invisibly by the large mesh netting in its stable frame from the luggage area and the goods transported.

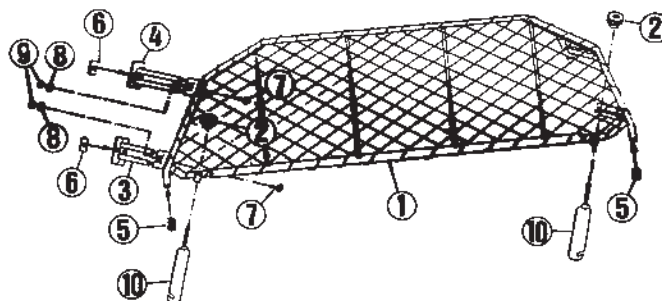
NOT TO BE USED WITH SIDEGUARD CURTAIN AIRBAGS

Consisting of a high quality, plastic-coated tubular steel frame additionally strung with nylon netting.

- Δ Specially adapted to the shape of the vehicle
- Δ No drilling of the body required
- Δ Completely preassembled
- Δ Color: black

Parts supplied: 1 Net Partition
 1 Fitting Kit
 1 Fitting Instructions

Key No.	Description	Quantity
1	Net Partition	1
2	M8 Tommy Nut	2
3	Short Support	2
4	Long Support	2
5	Plastic Plug	2
6	Protective Base.....	8
7	M6x20 Carriage Bolt	4
8	M6 Washer.....	4
9	M6 Cap Nut	4
10	Threaded Hook.....	2





Roof Carrier System: Carrier Bars



Part No.	Description	Application	Availability
4B0 071 126	Cross Bars, "Aero"	RS 6, A6 Sedan	98 - 2004
4A9 071 151		A6 Sedan	95 ▶ 97
4F0 071 126		A6 Sedan	2005 ▶

Δ Lockable set of 2

Δ 2 black plastic-coated aluminum cross bars held to the roof by uniquely constructed caliper-action mounting stanchions. Carrier bars are specified as "front" and "rear." Built in cylinder locks mounted into the full length and stanchion cover. Carrier Bars are required as mounting base for all roof attachments.

Required as base for roof attachments:

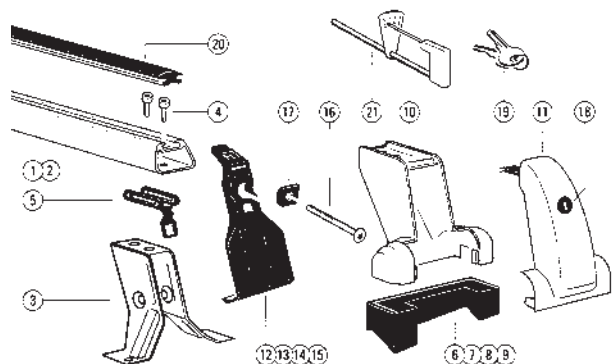
Bike holder	1F0 071 128 UA	Surfboard holder	445 071 127
Luggage basket	191 071 130 F	Sport and luggage box	000 071 300 A
Snowboard/Ski holder	3B0 071 129 UA	Bike Lift	4D0 071 128 UB
Bike Holder-fork mount	7M0 071 128 B	Bike Holder	8E0 071 128

The maximum permissible load is 165 lbs/75 kg, evenly distributed.

Single Components: 4B0 071 126

Description	Part No.	Qty.
Lock Set	3B0 071 734	4
Torque Wrench AF6	3B0 071 712	1
Screw Set	3B0 071 737	2
each		
Cover Cap Catch	3B0 071 701	4
Cover Cap	4B0 071 738	4
Roof Mounting-front	4B0 071 713	2
Roof Mounting-rear	4B0 071 713A	2
Spoiler Set-silver	000 071 715 666	3
Plastic Trim Strip	000 071 740	1

Single Components: 4A9 071 151



Roof Carrier System: Carrier Bars



Part No.	Description	Application	Availability
4F9 071 151 666	Cross Bars	A6 Avant	2006 ▶
4B8 071 151 666	Cross Bars	A6 Avant	98 - 2004
		S6 Avant	02 ▶ 03
4A9 071 151		A6 Avant	95 ▶ 97

- Δ Lockable, set of 2 in conjunction with roof rails only
- Δ Plastic coated aerodynamic aluminum sections
- Δ Cylinder locks are built into the covered end caps

Required as base for roof attachments:

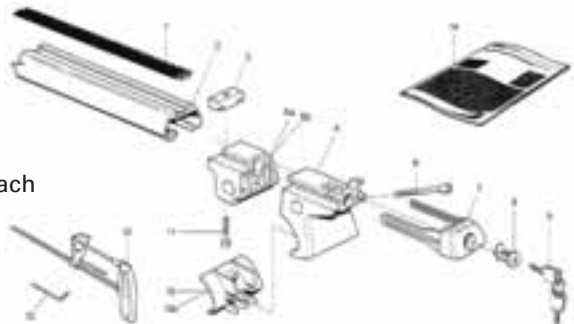
Bike holder	1F0 071 128 UA	Surfboard holder	445 071 127
Luggage basket	191 071 130 F	Sport and luggage box	000 071 300 A
Snowboard/Ski holder	3B0 071 129 UA	Bike Lift	4D0 071 128 UB
Bike Holder-fork mount	7M0 071 128 B	Bike Holder	8E0 071 128

The Maximum Permissible roof load is 165 lbs/75 kg., evenly distributed

Installation time units: 75

Single Components - Cross Bars 4B9 071 151 666

Key No.	Description	Part No.	Qty.
	Tensioner, outer.....	7M0 071 736	1
	Tensioner, inner & bolt.....	7M0 071 735	1
	Lock set.....	7M0 071 734	4
	Cover cap (half moon).....	7M0 071 719	8
	Tensioning Screw	7M0 071 739	4
3,4,11	Clamping piece.....	7M0 071 737A	2 each
7	Cover cap (half moon).....	7M0 071 738	1
12,13	Torque wrench & Allen wrench	333 071712A	1

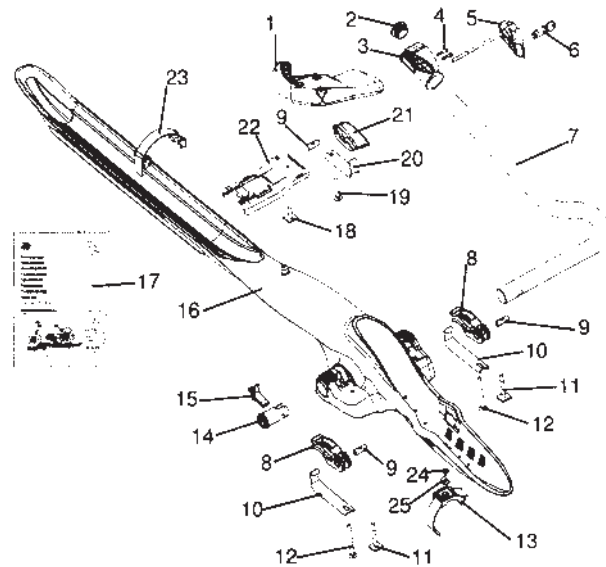


Bike Carrier System



Part No.	Description	Application	Availability
8E0 071 128	Barricuda Rack Bicycle Holder Attachment for 1 Bicycle Requires base carrier bars or Avant "Cross Bars"	All Models	

- Δ Complete with mounting hardware & instructions
- Δ For transport of Touring, Mountain and Racing Bikes in an upright position
- Δ Built-in lock and rugged design prevents damage to valuable bicycles
- Δ Up to three(3) bicycles can be mounted using a staggered formation
- Δ "city crash" certified





Bike Carrier System

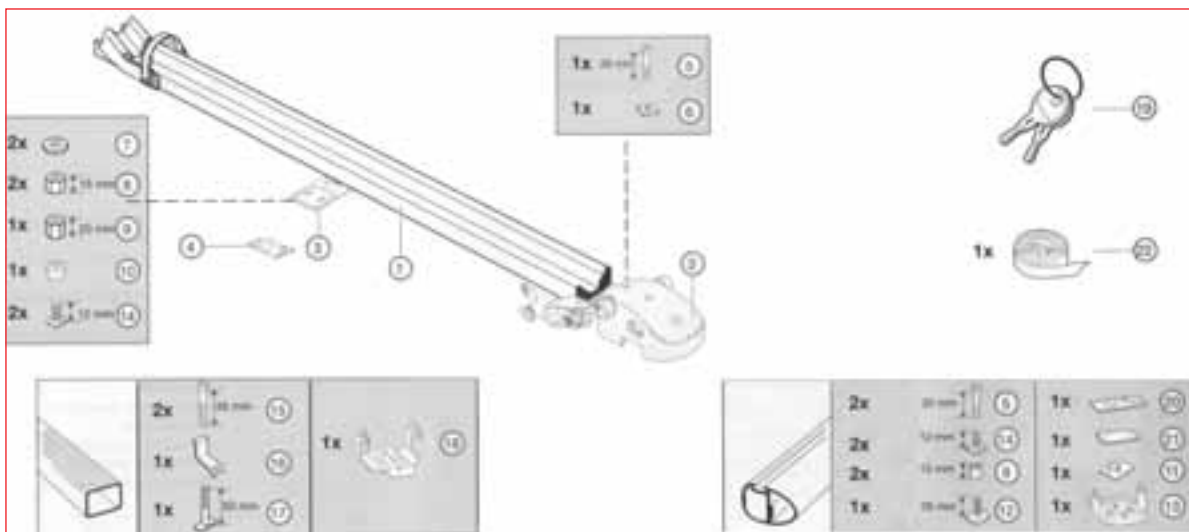
Part No.	Description	Application	Availability
7M0 071 128 B	Bicycle Holder Attachment Fork mount Requires base carrier bars or Avant "Cross Bars"	All Models	
7M0 071 128 C	for bike with disk brakes		

Δ Complete with mounting hardware & instructions
 Δ Thumb wheel adjustment

Installation time units: 25

Single components

Screw set Contains	7M0 071 737 #8 x 2 #14 x 2 #5 x 1 #6 x 1
Backing Plate Contains	7M0 071 737R #18 #13
Retainer Strap	1F0 071 737D
Wheel Fixture	1F0 071 746



Surfboard Holder; Kayak Holder



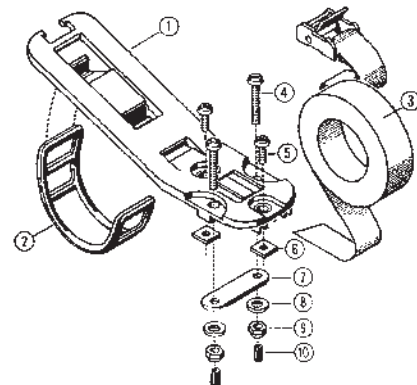
Part No.	Description	Application	Availability
445 071 127	Surfboard Holder Attachment Requires base carrier bars or Avant "Cross Bars"	All Models	

4 plastic holders which adapt to the shape of the surfboard. For transporting of 1 or 2 surfboards with masts.
Installation time units: 25

Single components - Surfboard Holder attachment 445 071 127

Key

No.	Description	Part No.
2	Tensioning Rubber	445 071 737B
4	Hardware Kit	445 071 737C
3		
6		
7		
8		
9		
10		
7	Mounting Plate	



00H 071 127	Mont Blanc Kayak Holder Attachment Requires base carrier bars or Avant "Cross Bars"	All Models
--------------------	---	------------

Our newest lifestyle accessory protects your kayak and your Audi. Conforms to all hulls and offers superior stability. Holds one kayak. Includes one pair of heavy duty straps.



Luggage Basket



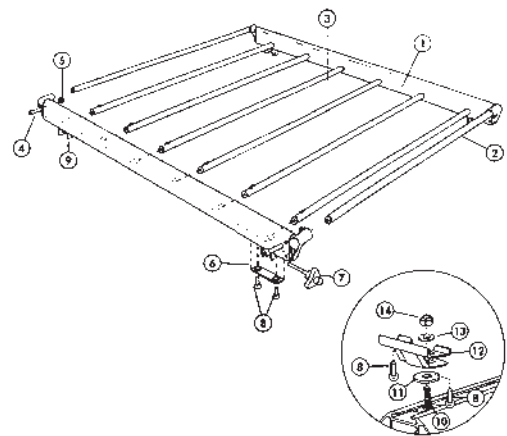
Part No.	Description	Application	Availability
191 071 130 F	Luggage Basket Requires base carrier bars or Avant "Cross Bars"	All Models	

- Δ Complete with mounting hardware 40" x 30"
- Δ Bars and side rails are made of black plastic coated galvanized steel
- Δ Front and rear bars are adjustable: in the up-position unit forms a luggage basket, the down position converts it to a loading platform with side supports.

Installation time units: 25

Single components - Luggage Basket 191 071 130 F

Key No.	Description	Qty.	
1	Side Section	2	
2	Retaining bar	1	191 071 736 B
3	Supporting bar	1	191 071 736 E
7	Capstan head screw	4	191 071 739
	Mounting Kit		191 071 736 D
4	Self tapping screws	12	
5	Plastic washer	12	
6	Hex head bolt	8	
10	Threaded shackle	4	
11	Hex head nut	4	
12	T-shaped keyway insert	4	
13	Shackle	4	
14	U-shaped shackle	4	
	Set of Screw Connectors		191 071 743 C
6	Hex head bolt	8	
9	Hex head nut	4	
8	Slotted bolt	4	



Soft Side Luggage Carrier



Part No.	Description	Application	Availability
ZVW 193 800	Soft Side Luggage Carrier Requires base carrier bars or Avant "Cross Bars"	All Models	

- Δ Embossed polyester
- Δ Sealed seams
- Δ Zipper covered with hook and loop material
- Δ Three main belts which support six quick release tie down straps

Length: 939.80mm/37"
 Width: 762.00mm/30"
 Depth: 304.80mm/12"

00H 071 130	Aluminum Roof Basket Mt. Blanc Requires base carrier bars or Avant "Cross Bars"	All Models	
--------------------	---	------------	--

- Δ High quality, lightweight roof rack platform in aluminum
- Δ Load surface 35" x 31"
- Δ Installs easily
- Δ Side rails prevent load from shifting
- Δ Works great with Soft Luggage Carrier



Snowboard/Ski Attachment



Part No.	Description	Application	Availability
3B0 071 129 UA	Snowboard/Ski Attachment Requires base carrier bars or Avant "Cross Bars"	All Models	

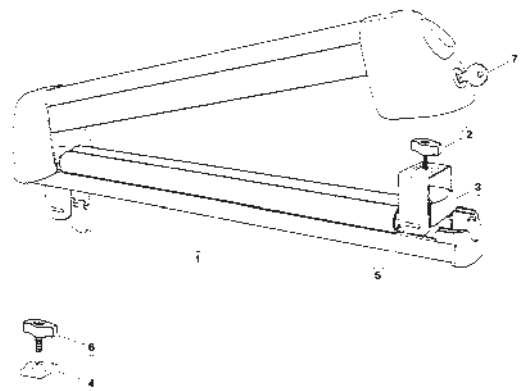
- △ Lockable
- △ Complete with mounting hardware
- △ Perfect blend of styling, quality and rugged design
- △ Installs quickly on base carrier and features an oversized push button locking hood that allows for easy opening and closing with gloves on
- △ Wide semi-rigid rubber profile design provides a snug secure fit for snowboard or skis
- △ Holds 4 pairs of skis or 2 snowboards

Installation time units: 25

Single Components - Snowboard/Ski attachment 3B0 071 129 UA

Key No.	Description	Qty.
1	Ski/snowboard carrier	2
2	Wing bolt, M6x35	4
3	Spacer block	4
4	Keyway, M6	4
5	Retaining clip.....	4
6	Wing knob, M6x20	2
7	Key	2

**Attachment Kit
3B0 071 737 A**





Grille Strips



Part No.	Description	Application	Availability
	Chrome Grille Strips Stainless Steel		
ZAW 312 004	4 bars	A6	98 ▶ 01
ZAW 312 006	5 bars	A6	02 ▶ 2004

Δ Polished stainless steel strips attach to the grille with OEM grade adhesive strips for durability



Aerodynamic Components

Part No.	Description	Application	Availability
4B0 071 640 AK 9AX	Trunk Lid Spoiler	A6 Sedan	98 ▶ 2004
4F0 071 640 9AX	3 piece Trunk Lid Spoiler	A6 Sedan	2005 ▶

Δ Requires painting in body color
 Δ PU integral foam

Check parts on command drop ship screen for pre-printed availability



8D9 071 640 A 9AK	Roof Edge Spoiler	A6 Avant	1996 ▶ 1997
4B9 071 640 9AK	Roof Edge Spoiler	A6 Avant	1998 ▶ 2005
4F9 071 640 9AK	Roof Edge Spoiler	A6 Avant	2006 ▶

Check parts on command drop ship screen for pre-printed availability



4F0 071 609 9AX	Front Chin Spoiler	A6 Sedan	2005 ▶
		A6 Avant	2006 ▶

Check parts on command drop ship screen for pre-printed availability



4F0 071 611 9AX	Rear Diffusor	A6 Sedan	2005 ▶
4F9 071 611 9AX	Rear Diffusor	A6 Avant	2006 ▶

Check parts on command drop ship screen for pre-printed availability

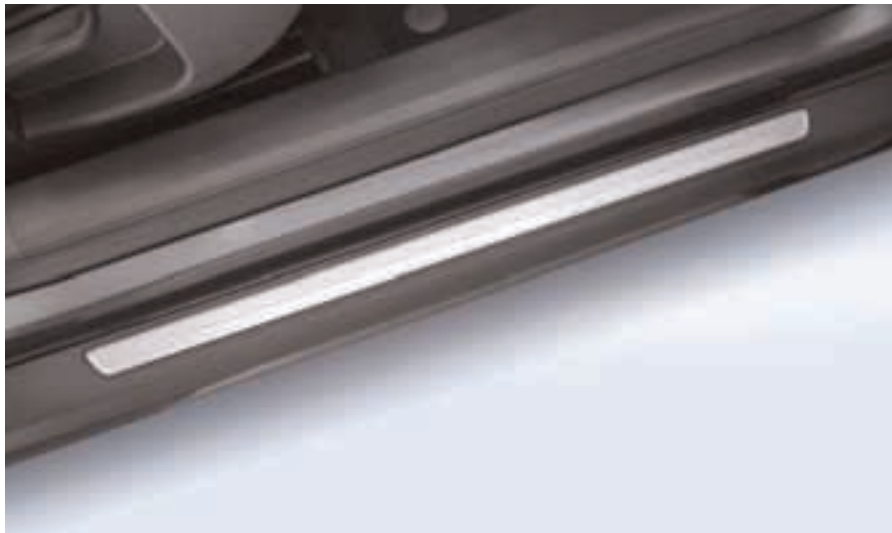




Door Sill Plates

Part No.	Description	Application	Availability
4F5 071 305	"Aluminum" look door sill applique	A6 Sedan	2005 ►

△ Upgrade the interior of your A6 with these door sills. Embossed A6 logo
△ Set of two



Splash Guards



Part No.	Description	Application	Availability
	Splash guards, Set of 2 complete with mounting hardware and installation instructions		

Δ Full width to insure body protection behind wheels from stone chipping,
sandblasting, road-tar and unsightly splashing effects

Δ Made of long-life, crack resistant rubber

Note: Not to be used with sport springs (lowering springs).

4F0 075 111	Front	A6 Sedan & Avant	2005 ▶
4F0 075 101	Rear	A6 Sedan & Avant	2005 ▶
4B0 075 111 A	Front	Not 4.2L	2002 - 2004
4B0 075 101 B	Rear	Not 4.2L	2002 - 2004
4B3 075 111	Front	For 4.2L	2000 - 2004
4B3 075 101	Rear	For 4.2L	2000 - 2004
4B0 075 111 A	Front	Not 4.2L	1998 - 2001
4B0 075 101 B	Rear	Not 4.2L	1990 - 2004

Car Cover

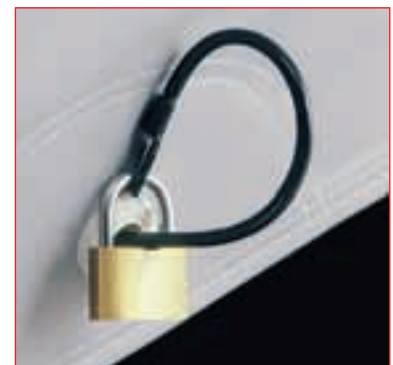


Part No.	Description	Application	Availability
	Car Cover – Stormshield™		
ZAW 400 102	Audi Logo	A6 Sedan	98 ▶ 2004
ZAW 400 103		A6 Avant S6 Avant	98 ▶ 2004
ZAW 400 102 A	Sport Logo CLOSE OUT	A6 Sedan	99 ▶ 2004
ZAW 400 109		RS 6 A6 Sedan	03 2005 ▶

- Δ Color gray
- Δ Urethane-acrylic coated polyester knit fabric
- Δ Complete with storage bag
- Δ High degree of moisture repellence and breathability
- Δ Long life ultraviolet (UV) resistance
- Δ Resistance to dust, acid rain, tree sap and other airborne particulate matter
- Δ Light weight for easy installation and removal
- Δ Custom mirror pockets
- Δ Plastipane rear license plate window
- Δ Double stitch seams for strength and long life
- Δ Elasticized hems for fit and stability and tie-down grommets

ZAW 400 110 Cable and Lock set All

The nonscratching plastic coated cable slides through the special sewn-in grommets, and the lock keeps the cover secured to the vehicle. Works with all Audi covers.



Air Deflectors



Part No.	Description	Application	Availability
	Air Deflector - Sunroof, kit complete with mounting hardware		
4B0 072 192		A6 Sedan/Avant S6 Sedan/Avant RS 6	96 ▶ 2004 03

- Δ One-piece molded tinted acrylic plexiglas
- Δ Rubber mounting gasket pre-installed
- Δ One bracket per side clamps into sunroof opening—installation without drilling
- Δ Deflects rain and wind
- Δ Allows draft-free ventilation

Installation time units: 20



Side Window deflector
Set of 2

ZAW 452 601	Front	A6, S6 Sedan	98 ▶ 2004
ZAW 452 602	Rear	A6, S6 Avant	98 ▶ 2004

- Δ Permit windows to be slightly open for ventilation during inclement weather
- Δ Deflectors are made of molded tinted acrylic plexiglas
- Δ Install without tools: beveled edges fit into window channel opening

CHECK YOUR STATE AND LOCAL REGULATIONS CONCERNING THE USE OF SIDE WINDOW DEFLECTORS.



Wheel Bolts; Wrench; Valve Caps

Part No.	Description	Application	Availability
000 071 597		A6, S6	1998 ▶

Δ Max. torque for all alloy wheels is 80 ft./lbs. - Threads dry.
 Δ Impact tools are not recommended.



ZAW 173 003	Wheel Bolt Wrench dual socket, 17 and 19 mm	All late model Audi vehicles with 17 or 19mm hex bolts.
--------------------	--	--

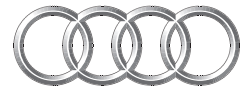
Δ Storage Pouch with logo
 Δ 19" chromed tire iron adds increased leverage to loosen and tighten wheel nuts
 Δ Rubber grip
 Δ Two sockets included



	Valve Stem Cap Set of 5	All
ZAW 355 000 SR	Audi Sport- red	
ZAW 355 000 SP	Audi Sport - black	
ZAW 355 000 A	Audi Logo	
ZAW 355 0006	A6 Logo	

Quality chrome-plated solid brass construction for durability. Each valve stem cap has an o-ring seal built in, to help ensure valve stem pressure integrity. Five valve stem caps per package—one for each wheel including the spare.





Audi

Alloy Wheels

Part No.	Description	Application	Availability	Size
4A0 071 495 1ZL	8Jx17 R035 10 spoke light alloy wheel Complete with Audi center cap Brilliant/silver metallic Uses standard wheel bolts Rubber valve stem	A6 except 4.2L, 2.7T	98 ▶ 2004	235/45 R17-90

Time units: 50 per wheel



Bolero

Single Components

4A0 071 213 666	Center Cap – Audi Rings
------------------------	-------------------------

4B5 071 492 666	7.5Jx17 R045 12 spoke light alloy wheel Complete with Audi center cap Avus silver Uses standard wheel bolts Rubber valve stem	A6 3.0L A6 2.7T except 4.2L	02 ▶ 2004 02 ▶ 2004	235/45 R17
------------------------	--	-----------------------------------	------------------------	------------

Time units: 50 per wheel



Pacino

Single Components

8E0 601 165 7ZJ	Center Cap – Audi Rings
------------------------	-------------------------

8E0 071 492 666	7.5Jx17 R045 7 spoke light alloy wheel Complete with Audi center cap Avus silver Uses standard wheel bolts Rubber valve stem	A6 3.0L A6 2.7T except 4.2L	02 ▶ 2004 02 ▶ 2004	235/45 R17
------------------------	---	-----------------------------------	------------------------	------------

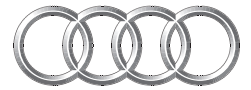
Time units: 50 per wheel



Calina

Single Components

8E0 071 214	Center Cap – Audi Rings
--------------------	-------------------------



Audi

Alloy Wheels

Part No.	Description	Application	Availability	Size
8D0 071 499 666	7Jx16 R045 7 spoke light alloy wheel Complete with Audi center cap Brilliant/silver metallic Uses standard wheel bolts Rubber valve stem	A6 Sedan except 4.2L, A6 2.7T	98 ▶ 01 98 ▶ 01	205/55 R16

Time units: 50 per wheel

Single Components

4A0 071 213 666	Center Cap – Audi Rings
------------------------	-------------------------



Swing

4B0 071 492 666	7.5Jx17 R038 5 spoke light alloy wheel Complete with Audi center cap Avus silver Uses standard wheel bolts Rubber valve stem	A6 Sedan A6 Avant except 4.2L, A6 2.7T	98 ▶ 01	225/45 R17
------------------------	---	--	---------	------------

Time units: 50 per wheel

SELL OUT ITEM

Single Components

8L0 071 213 666	Center Cap – Audi Rings
------------------------	-------------------------



Tocatta

4B9 071 492 666	7.5Jx17 R045 Light alloy wheel Complete with Audi center cap Uses standard wheel bolts Rubber valve stem	A6 2.7T A6 3.0 except 4.2L	02 ▶ 2004	235/45 R17
------------------------	--	----------------------------------	-----------	------------

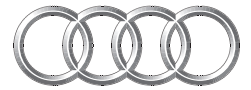
Time units: 50 per wheel

Component not supplied with wheel

4B9 071 214	Center Cap
--------------------	------------



Cantona



Audi

Alloy Wheels

Part No.	Description	Application	Availability	Size
8D0 601 025R Z17	7.5Jx17 RO43 16 spoke light alloy wheel Complete with Audi center cap Brilliant/silver metallic Uses standard wheel bolts Rubber valve stem	A6 Sedan, Avant 2.8 A6 Sedan 2.7T A6 Sedan, Avant 3.0	98 ▶ 01 00 ▶ 2004 02 ▶ 2004	225/45 R17 235/45 R17



RC

Single Components

8D0 601 165G Z17 Center Cap – Audi Rings

8D0 601 025AD 1H7	7.5Jx17 RO43 9 spoke light alloy wheel	A6 Sedan, Avant 2.8 A6 Sedan 2.7T A6 Sedan, Avant 3.0	98 ▶ 01 00 ▶ 2004 02 ▶ 2004	225/45 R17 235/45 R17 235/45 R17
4B3 601 025 R1H7	8.5x18 ET 30 Complete with Audi center cap Brilliant/silver metallic Uses standard wheel bolts Rubber valve stem	S6 RS6	02 ▶ 2004 03 ▶ 2004	255/40 ZR18 255/40 ZR18



RS4

Single Component not supplied with wheel

8D0 601 165K 1H7 Center Cap – Audi Rings

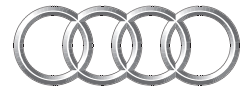
4D0 601 025AC Z17	8Jx18 RO43 16 spoke light alloy wheel Multi-piece Integrated valve Connection: titanium bolts Polished stainless steel Complete with Audi center cap	A6 Sedan, Avant 2.8 A6 Sedan, Avant 3.0	98 ▶ 01 02 ▶ 04	235/40 R18
--------------------------	--	--	--------------------	------------



RS2

Single Components

4D0 601 165K Z17 Center Cap – Audi Rings



Audi

Alloy Wheels

Part No.	Description	Application	Availability	Size
8D0 071 493 666	7Jx17 R045 10 spoke light alloy wheel Complete with Audi center cap Brilliant/silver metallic Uses standard wheel bolts Rubber valve stem	A6 2.8 A6 3.0L (except 4.2L, 2.7T)	96 ▶ 02 02 ▶ 04	225/45 R17 235/45 R17

SELL OUT ITEM

Single Components
8L4 071 214

Center Cap – Audi Rings



Capezio



Winter Wheels

Part No.	Description	Application	Availability	Size
4B3 601 025C Z17	Winter Alloy Wheel 7Jx16 RO32	A6 4.2L	00 ▶ 2004	215/55 R16

Component not supplied with wheel

8N0 601 165A Z17 Center Cap

4B0 601 025H Z17	Winter Alloy Wheel 6Jx16 RO40	A6 2.7T	00 ▶ 2004	205/55 R16
------------------	----------------------------------	---------	-----------	------------

Component not supplied with wheel

4B0 601 165C Z17 Center Cap

4B0 601 027 03C	Winter Steel Wheel 6Jx15 RO45	A6 2.8	98 ▶ 99	195/65 R15
-----------------	----------------------------------	--------	---------	------------

Component not supplied with wheel

4B0 601 147 Z17 Center Cap

8D0 601 027A 03C	Winter Steel Wheel 6Jx16 RO40	A6	98 ▶ 02	205/55 R16
------------------	----------------------------------	----	---------	------------

Component not supplied with wheel

4B0 601 147C Z17 Center Cap

4B3 601 025S 1H7	Winter Steel Wheel 7.5x18 ET20 5 spoke	RS 6	2003	245/45 R18
4BE 601 D13E	Winter Wheel & Tire Combination Sold in sets of 4 Dunlop Winter Sport M3 Winter Performance Tire Limited availability			

Component not supplied with wheel

Center Cap
RS 6 Center Cap



Audi

Alloy Wheels

Part No.	Description	Application	Availability	Size
500 080 003 87 DSP	Wheel and tire combination 7.5Jx17 RO43 Complete with: 235/45 ZR 17 tire Audi center cap Removal tool for center cap BBS logo valve stem caps	A6 Sedan, Avant 2.8 A6 Sedan 2.7T A6 Sedan, Avant 3.0	98 ▶ 01 00 ▶ 2004 02 ▶ 04	235/45 ZR17



RC

DEALER DROP SHIP PROGRAM

8D0 601 165J Z17 Center Cap

500 080 003 02 DSP	Wheel and tire combination 7.5Jx17 RO43 Complete with: 225/45 ZR 17 tire Audi center cap Removal tool for center cap BBS logo valve stem caps	A6 Sedan, Avant 2.8	98 ▶ 01	225/45 ZR17
---------------------------	---	---------------------	---------	-------------



RC

DEALER DROP SHIP PROGRAM

Component not supplied with wheel
8D0 601 165J Z17 Center Cap

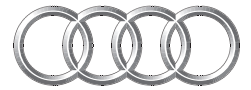
500 080 003 04 DSP	Wheel and tire combination 8Jx18 RO43 Complete with: 235/40 ZR 18 tire Audi center cap Removal tool for center cap BBS logo valve stem caps	A6 Sedan, Avant 2.8 A6 Sedan, Avant 3.0	98 ▶ 01 02 ▶ 04	
---------------------------	---	--	--------------------	--



RSII

DEALER DROP SHIP PROGRAM

Component not supplied with wheel
4D0 601 165K Z17 Center Cap



Audi

Alloy Wheels

Part No.	Description	Application	Availability	Size
4B3 601 025R 1H7	8.5Jx18 ET30 9 spoke	RS 6	03	255/40 ZR18 99Y



Component not supplied with wheel
8D0 601 165K 1H7 Center Cap

4F4 071 498 666	Light alloy wheel Calito 8 J x 18 ET 48, LK 112/5 brilliant/silver metallic	A6 Sedan, Avant	2005 ▶	245/40 R18 97Y
------------------------	---	-----------------	--------	----------------





Sport Springs

Note: Four wheel electronic wheel alignment required after installation



Part No.	Description	Application	Availability	Engine	Transmission
	Sport Suspension Kit kit complete				
4B0 071 677 DSP		A6 Sedan Front Trak	98 ▶ 01	2.8	Auto & Manual
4B4 071 677 DSP		A6 Sedan quattro	98 ▶ 01	2.8	Auto & Manual
4B9 071 677 A DSP		A6 Avant quattro	98 ▶ 01	2.8	Auto & Manual

- △ Eibach® manufactured and specially tuned for Audi
- △ Creates a sportier profile by lowering ride height ~ 1.5"
- △ Chassis responsiveness is also increased

Note: 4 wheel electronic wheel alignment required after installation

Dealer Drop Ship Program - USA

	Sport Suspension Kit kit complete				
4B0 071 677		A6 Sedan Front Trak	98 ▶ 01	2.8	Auto & Manual
4B4 071 677		A6 Sedan quattro	98 ▶ 01	2.8	Auto & Manual
4B9 071 678 A		A6 Sedan quattro	98 ▶ 01	2.8	Auto & Manual

- △ Eibach® manufactured and specially tuned for Audi
- △ Creates a sportier profile by lowering ride height ~ 1.5"
- △ Chassis responsiveness is also increased

Note: 4 wheel electronic wheel alignment required after installation

Depot Program - Canada

Exhaust Tips



Part No.	Description	Application	Availability
	Exhaust Tips Stainless steel		
ZAW 806 006		A6 2.8L	98 ▶ 01
ZAW 806 006T		A6 2.7T	00 ▶ 01
8E0 071 910		A6 2.7T	02 ▶ 04
		A6 3.0L	02 ▶ 04

- Δ Manufactured of highly polished stainless steel
- Δ End tips have rolled edges and angle cut
- Δ Kit includes two exhaust tips
- Δ Attach with stainless steel clamp