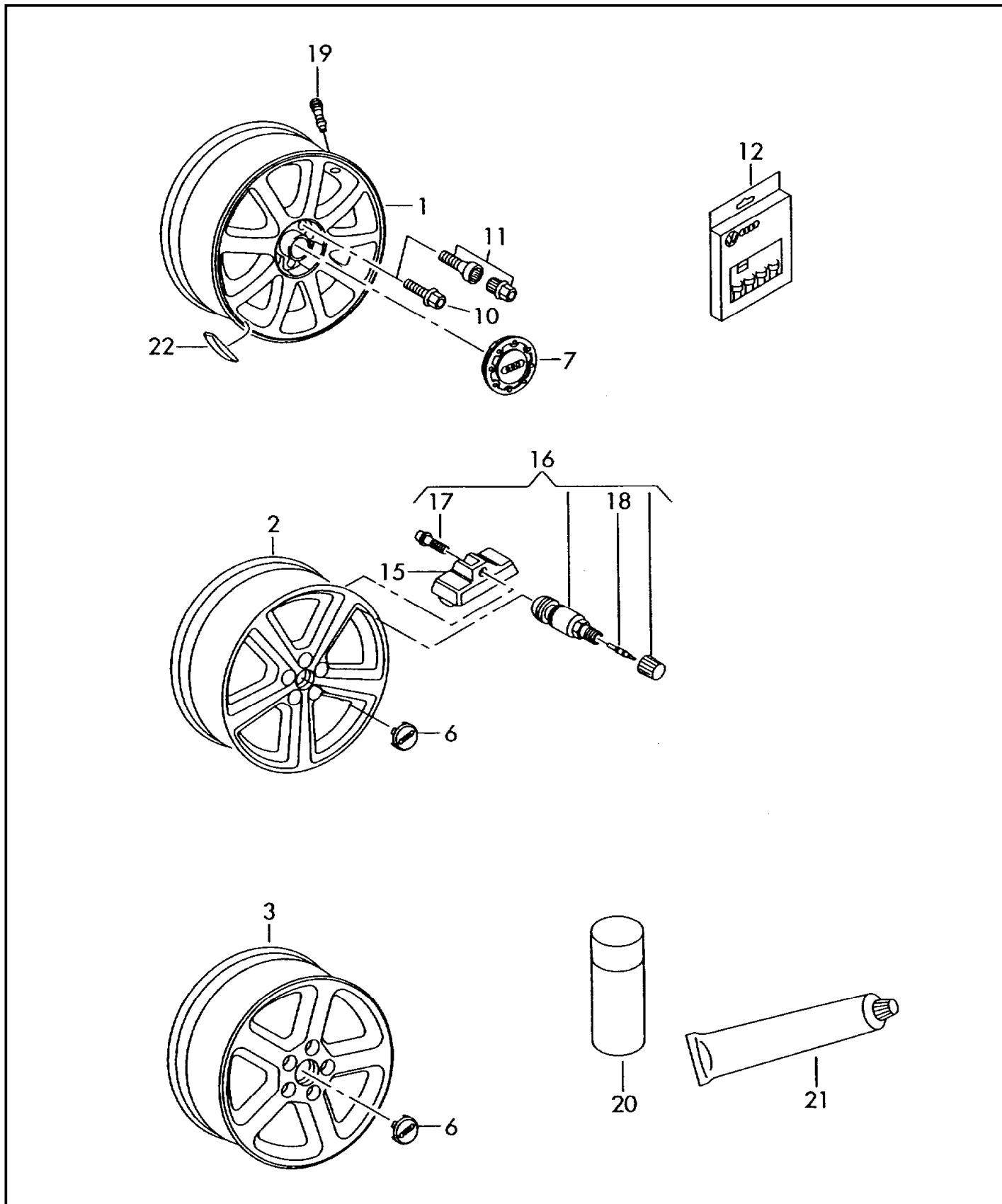




ETKA

Model	Year	MG	SG	Illustration	Restrictions	UPD	19:21	11.01.2009
RS6	2003	6	01	601-80		622		





ETKA

Model	Year	MG	SG	Illustration	Restrictions	UPD	19:21	11.01.2009
RS6	2003	6	01	601-80		622		

Pos	Part Number	Description	Remark	Qty	Model
		wheel disc 'alum' wheel cap * for the proper usage of * the released wheels * and tires, refer to the * vehicle data documents * and or the service * wheel and tire * catalog -----			
1	4B3 601 025 R 07/02-09/041H7	wheel disc 'alum' silver	8,5JX18H2 ET30 5/112	4	PR-CL5
2	4B3 601 025 Q 07/02-09/041H7	wheel disc 'alum' silver	9 JX19H2 ET35 5/112	4	PR-C9W
(2)	4B3 601 025 Q 02/04-09/048AU	wheel disc 'alum' titan (grey)	9 JX19H2 ET35 5/112	4	PR-CP7
3	4B3 601 025 S 07/02-09/041H7	wheel disc 'alum' for winter tires silver	7,5JX18H2 ET20 5/112	4	PR-7DU
6	4B0 601 170 07/02-09/047ZJ	wheel cap grey-metallic	for wheel disc: 4B3 601 025 S (1H7) 8D0 601 025 AA (1H7) 4B3 601 025 Q (1H7),(8AU)	4	
7	8D0 601 165 K 07/02-09/041H7	wheel cap silver	for wheel disc: 4B3 601 025 R (1H7)	4	
10	b 4D0 601 139 A	wheel bolt	M14X1,5X27	20	
11	4D0 601 139 B b 07/02-09/04000 b 07/02-09/04001 b 07/02-09/04002 b 07/02-09/04003	wheel bolt, anti-theft with adapter code key code key code key code key	M14X1,5X27,5 000001002003	X 1 1 1 1	



ETKA

Model	Year	MG	SG	Illustration	Restrictions	UPD	19:21	11.01.2009
RS6	2003	6	01	601-80		622		

Pos	Part Number	Description	Remark	Qty	Model
	b 07/02-09/04004	code key004	1	
	b 07/02-09/04005	code key005	1	
	b 07/02-09/04006	code key006	1	
	b 07/02-09/04007	code key007	1	
	b 07/02-09/04008	code key008	1	
	b 07/02-09/04009	code key009	1	
12	b 4D0 698 137	set of wheel bolts, anti-theft	M14X1,5X27,5	1	
15		wheel electronic sensor see illustration:	907-50		
16	b 4D0 601 361	metal valve for models with tyre pressure monitor (wireless radio sys.)		1	
17		not replacement part			
18	N 908 733 01	valve insert	only for: 4D0 601 361	4	
-	N 908 729 01	valve cap for valve unit	VG 8 to be used for: 4D0 601 361	4	
19	b 281 601 361	rubber valve		X	
20	b D 322 000 A2	spraying wax	400ML	X	
21	G 052 109 A2	assembly paste	120G	X	
		balancer weight (self-adhesive) for alum. wheel	4B3 601 025 R 4B3 601 025 S 8D0 601 025 AA 4B3 601 025 Q		
22	b 4F0 601 185	balancer weight (self-adhesive)	5G- 3/16OZ.	X	
(22)	b 4F0 601 186	balancer weight (self-adhesive)	10G- 3/8 OZ.	X	
(22)	b 4F0 601 188	balancer weight (self-adhesive)	20G- 3/4 OZ.	X	
(22)	b 4F0 601 190	balancer weight (self-adhesive)	30G- 1 OZ.	X	
(22)	b 4F0 601 192	balancer weight (self-adhesive)	40G- 1 3/8 OZ.	X	



ETKA

Model	Year	MG	SG	Illustration	Restrictions	UPD	19:21	11.01.2009
RS6	2003	6	01	601-80		622		

Pos	Part Number	Description	Remark	Qty	Model
(22)	b 4F0 601 194	balancer weight (self-adhesive)	50G- 1 3/4 OZ.	x	
(22)	b 4F0 601 196	balancer weight (self-adhesive)	60G- 2 OZ.	x	