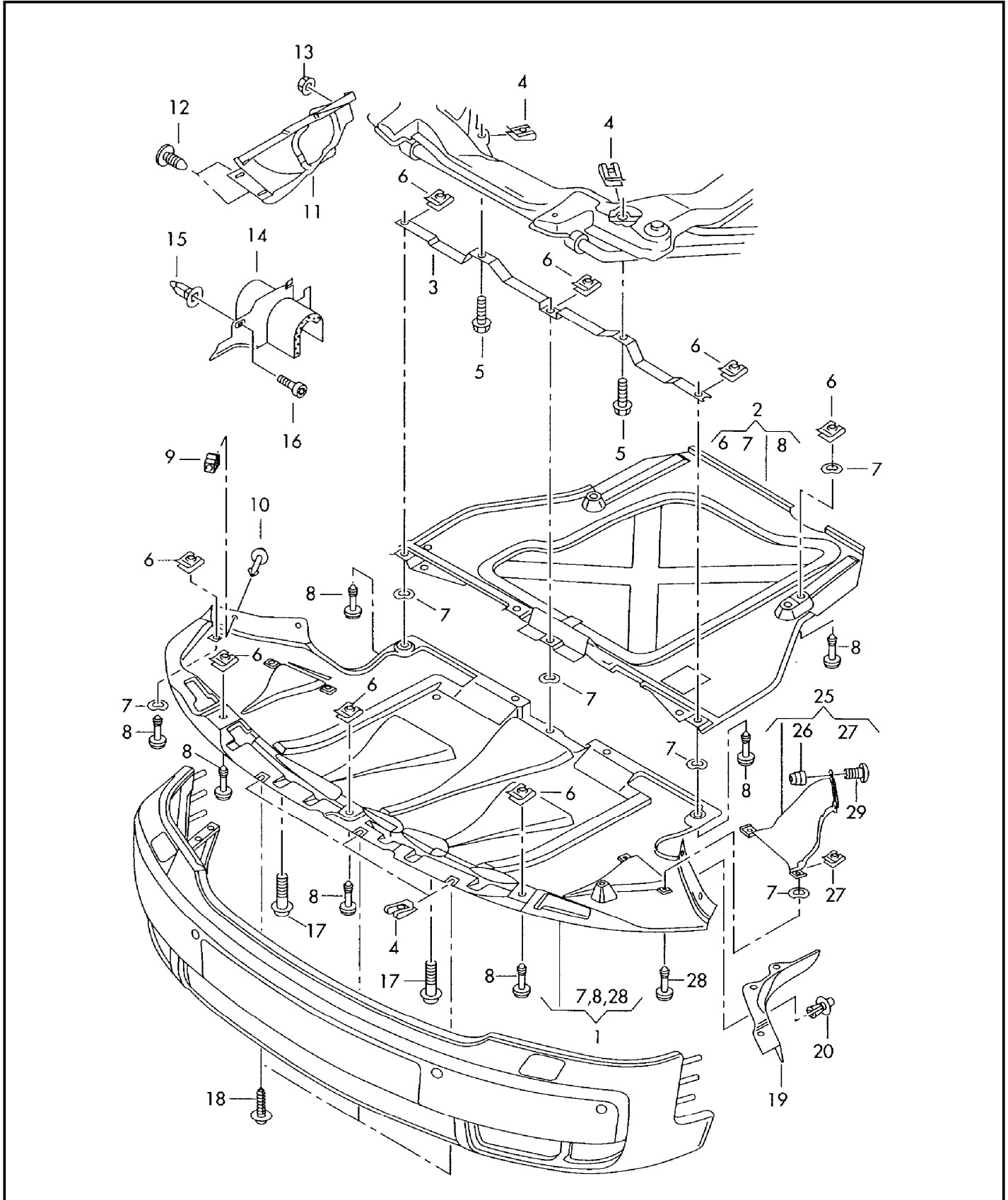




# ETKA

Model	Year	MG	SG	Illustration	Restrictions	UPD	9:34	19.03.2009
A4Q	2006	8	63	863-25	8E-5-400 001 >>	622		





# ETKA

Model	Year	MG	SG	Illustration	Restrictions	UPD	9:34	19.03.2009
A4Q	2006	8	63	863-25	8E-5-400 001 >>	622		

Pos	Part Number	Description	Remark	Qty	Model
(1)	8E0 863 821 AL	sound deadener cover for jointed shaft cover for engine compartment  sound deadener F >> 8E-6-200 000* F >> 8E-6-803 700*		1	PR-1SA+G0C, G0K,G0L,G0Q, G0R+T0B,T0F, T0L,T15,T79, T61
(1)	8E0 863 821 AL	sound deadener F 8E-6-200 001>>* F 8E-6-803 701>>*		1	PR-1SA+G0C, G0K,G0L,G0Q, G0R+T0F,T15 T15,T79,T61
(1)	8E0 863 821 AL	sound deadener F 8E-6-200 001>>*		1	PR-1SA+G0L+ T0L
(1)	8E0 863 821 BA	sound deadener F 8E-6-200 001>>*		1	PR-1SA+G0C+ T0B,T0L
(1)	8E0 863 821 AK	sound deadener		1	PR-1SA+TB3, T14,T41,TA1, TQ0
(1)	8E0 863 821 AR	sound deadener		1	PR-1SA+G0Z+ T0B,T0F,T0L, T15,T61
(1)	8E0 863 821 AR	sound deadener		1	PR-1SA+TD0, TR0,T1K
(1)	8E0 863 821 AD	sound deadener for models with drive system protective plates	heavy-duty	1	4,6-cyl.+ PR-1SB,1SH
(1)	8E0 863 821 AJ	sound deadener for models with drive system protective plates	heavy-duty	1	8-cylinder+ PR-1SB,1SH
(2)	8E0 863 822	sound deadener		1	petrol eng.+ constantly vari. trans.
(2)	8E0 863 822	sound deadener		1	6-cylinder+ diesel eng.
(2)	8E0 863 822	sound deadener		1	PR-G0C,G0K+ TB3,TR0,TD0, T14,TQ0
(2)	8E0 863 822 C	sound deadener		1	PR-G0L,G0Z+ TR0,TB3,TQ0
(2)	8E0 863 822 A	sound deadener		1	8-cylinder+ PR-8Z5,8Z6



# ETKA

Model	Year	MG	SG	Illustration	Restrictions	UPD	9:34	19.03.2009
A4Q	2006	8	63	863-25	8E-5-400 001 >>	622		

Pos	Part Number	Description	Remark	Qty	Model
(2)	8E0 863 822 A	sound deadener F >> 8E-6-200 000*		1	PR-G0C,G0K+ T0B,T0F,T0L
(2)	8E0 863 822 A	sound deadener F 8E-6-200 001>>*		1	PR-G0C+T0F
(2)	8E0 863 822 A	sound deadener F 8E-6-200 001>>*		1	PR-G0C+T0B, T0L+1SB
(2)	8E0 863 822 A	sound deadener		1	PR-G0K,G0L, G0R+T61
3	4B3 863 843	retainer		1	
4	8E0 805 960	snap nut bumper		3	
(4)	N 903 275 01	snap nut subframe	M6X23,4X14,2	2	
5	N 090 148 6	hexagon head bolt (combi)	M6X15-S1-L	2	
6	+ 8D0 805 960	snap nut		X	
7	+ 4A0 805 137	rubber washer	5,0X25X1,5	X	
(8)	+ 8D0 805 121	grip pin	6X18MM silver	X	
(8)	+ 8D0 805 121 B	grip pin	6X20MM black	X	
9	+ 4A0 805 163	clip		2	
10	4A0 805 121 C	grip pin		2	
(11)	8E0 864 309 D	cover for engine compartment	left	1	
(11)	8E0 864 310	cover for engine compartment	right	1	
12	823 863 203	clip		4	
	+ 11/04 01C	satin black			
(13)	N 907 088 02	speed nut	AM5	2	
(14)	8E0 863 187 G	cover for jointed shaft	left	1	diesel eng.
(14)	8E0 863 187 G	cover for jointed shaft	left	1	PR-T14
(14)	8E0 863 187 G	cover for jointed shaft	left	1	8-cylinder+ PR-8Z5
(14)	8E0 863 188 C	cover for jointed shaft	right	1	PR-TD0,TB3, TRO,T1K
(14)	8E0 863 188 G	cover for jointed shaft F >> 8E-6-155 000*	right	1	PR-T41,TA1



# ETKA

Model	Year	MG	SG	Illustration	Restrictions	UPD	9:34	19.03.2009
A4Q	2006	8	63	863-25	8E-5-400 001 >>	622		

Pos	Part Number	Description	Remark	Qty	Model
(14)	8E0 863 188 C	cover for jointed shaft F 8E-6-155 001>>*	right	1	PR-T41,TA1
(14)	8E0 863 188 F	cover for jointed shaft	right	1	PR-T14
(14)	8E0 863 188 F	cover for jointed shaft	right	1	8-cylinder+ PR-8Z5
15	+ N 908 214 01	expanding nut	D4,8	X	
16	N 910 570 01	oval head panel screw	5X16-Q-R	X	
17	N 910 407 02	socket head collared bolt with inner multipoint head	M10X25-V	2	PR-1SB,1SH
(18)	8E0 805 121 B	grip pin		3	