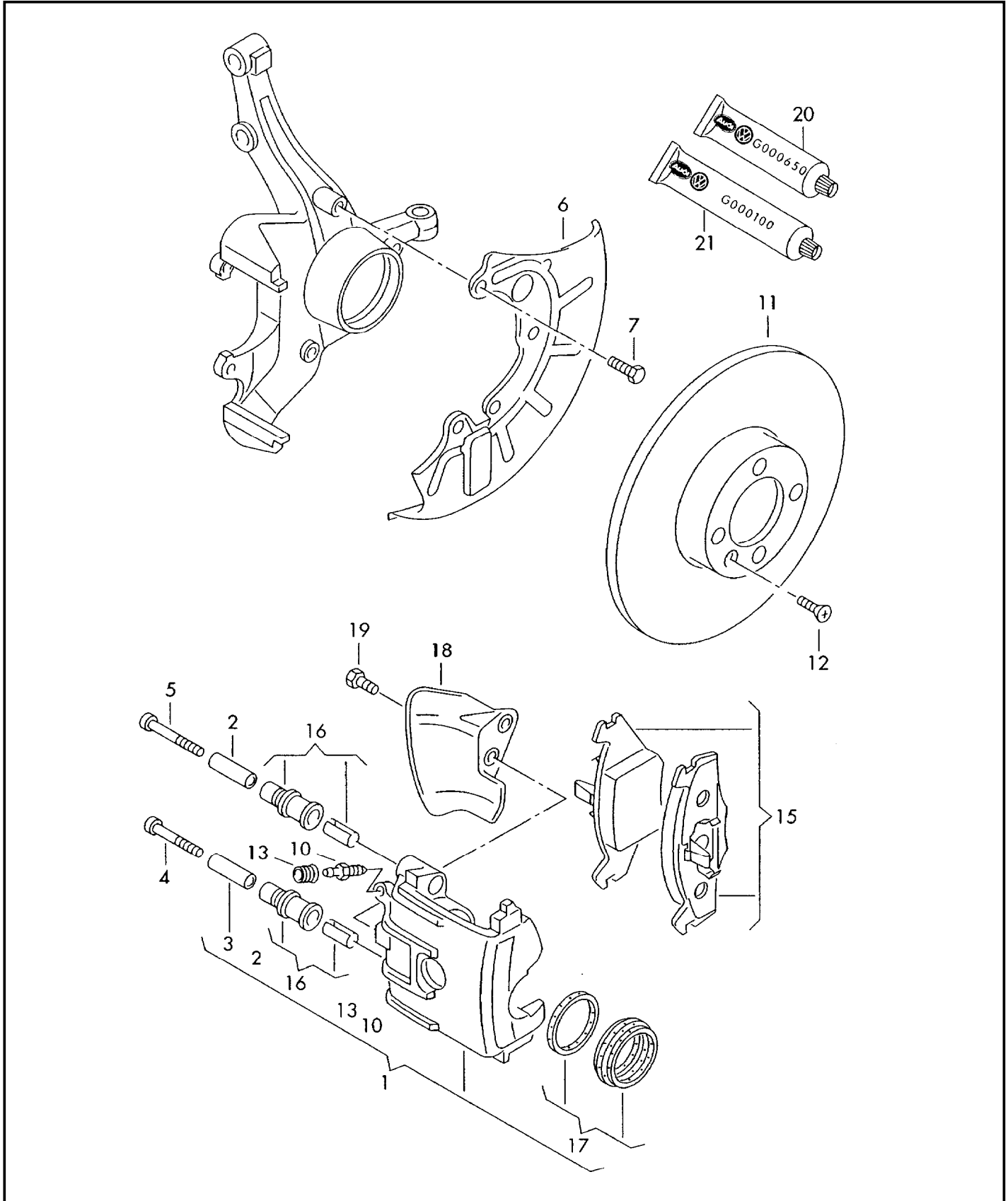




ETKA

Model	Year	MG	SG	Illustration	Restrictions	UPD	11:39	20.05.2008
POC	1998	6	15	615-18		597		





ETKA

Model	Year	MG	SG	Illustration	Restrictions	UPD	11:39	20.05.2008
POC	1998	6	15	615-18		597		

Pos	Part Number	Name	Remarks	Qty	Model
		disc brake brake caliper brake disc (ventilated) F 6K-V-022 628>> F 6K-W-518 500>>*	front ATE 239X20MM-4/100		PR-1LG,1ZD APQ,AEY,1F
1	b 1H0 615 123 C	brake caliper	left	1	
(1)	b 1H0 615 124 C	brake caliper	right	1	
2	171 615 221	guide sleeve	45MM	2	
3	171 615 221 A	guide sleeve	35MM	2	
4	+ N 903 291 04	bolt, with hex. socket hd.	M8X49	2	
5	+ N 903 292 05	bolt, with hex. socket hd.	M8X59	2	
6	191 615 311 A	splash shield for brake disc	left	1	
(6)	191 615 312 B	splash shield for brake disc	right	1	
7	+ N 905 293 01	screw, hex. hd.	M6X10	X	
10	357 615 273	bleeder valve	M10X1	2	
11	b 321 615 301 C	brake disc (ventilated)	239X20 4/100	2	PR-1LG
(11)	b 6N0 615 301 G	brake disc (ventilated)	239X20 4/100 GEOMET D	2	PR-1ZD
12	N 106 483 01	innensechsrund-senkschraube	M6X16-TC	2	
13	211 611 483	dust cap		2	
15	b 1H0 698 151 B	1 set of brake pads for disc brakes		1	
16	b 171 698 447 A	1 set of guide bushings		2	
17	b 171 698 471 B	set of seals for piston housing		2	
-	G 052 150 A2	lithium-grease	180G	X	
-	G 000 650	lubricating paste	100G	X	