

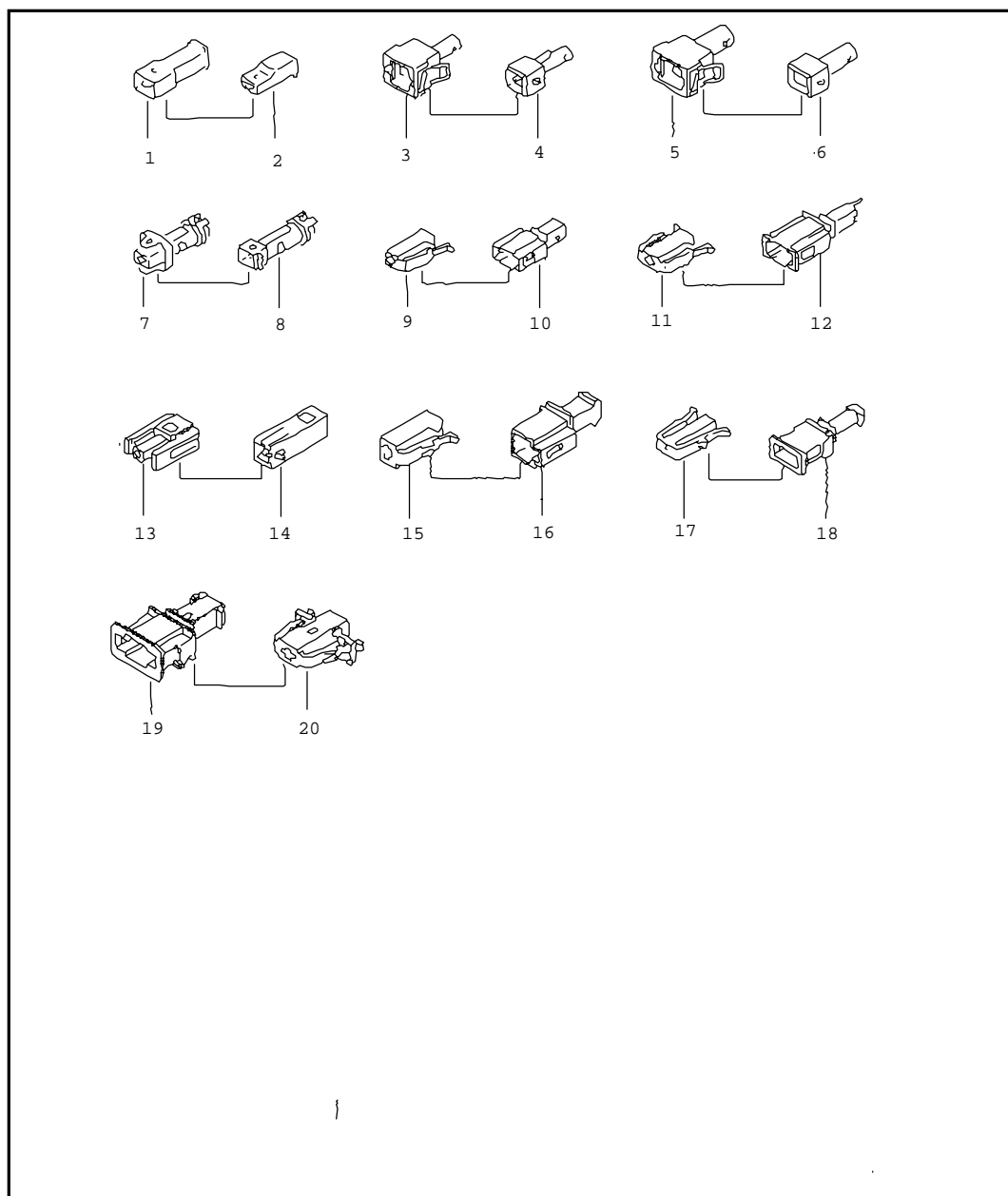




Pos	Part Number	Name	Remarks	Qty	Model
		connector housing	1 pin		
1	059 905 371	diode connector		X	
2	059 905 371 D	diode connector		X	
3	357 907 971 B	terminal pin housing		X	
		for single wiring:	000 979 107	X	1,0
			000 979 204	X	2,5
			000 979 402	X	6,0
4	191 911 920	terminal pin housing		X	
		for single wiring:	000 979 107	X	1,0
			000 979 204	X	2,5
			000 979 402	X	6,0
5	357 915 971 A	terminal pin housing		X	
		for single wiring:	000 979 408	X	6,0
(5)	357 915 971 B	terminal pin housing		X	
		for single wiring:	000 979 408	X	6,0
(5)	357 915 971 C	terminal pin housing		X	
		for single wiring:	000 979 408	X	6,0
6	111 971 921 B	terminal pin housing		X	
		for single wiring:	000 979 107	X	1,0
			000 979 204	X	2,5
			000 979 402	X	6,0
7	1H0 971 921 A	terminal pin housing	1 pin	X	
		for single wiring:	000 979 222	X	2,5
8	211 971 921	angled connector		X	
		for single wiring:	000 979 207	X	2,5
9	4A0 971 921	flat contact housing		X	
		for single wiring:	000 979 135	X	1,0
			000 979 227	X	2,5
			000 979 407	X	6,0
10	191 971 922	terminal pin housing		X	
		for single wiring:	000 979 107	X	1,0
			000 979 204	X	2,5
			000 979 402	X	6,0
10	191 971 922	terminal pin housing		X	
		for single wiring:	000 979 107	X	1,0
			000 979 204	X	2,5
			000 979 402	X	6,0
11	443 971 976	terminal pin housing		X	

Model	Year	MG	SG	Illustration	VIN No.	Update	14:36	18.02.20100		ETKA	
EL	90	9	71	970-00		336					

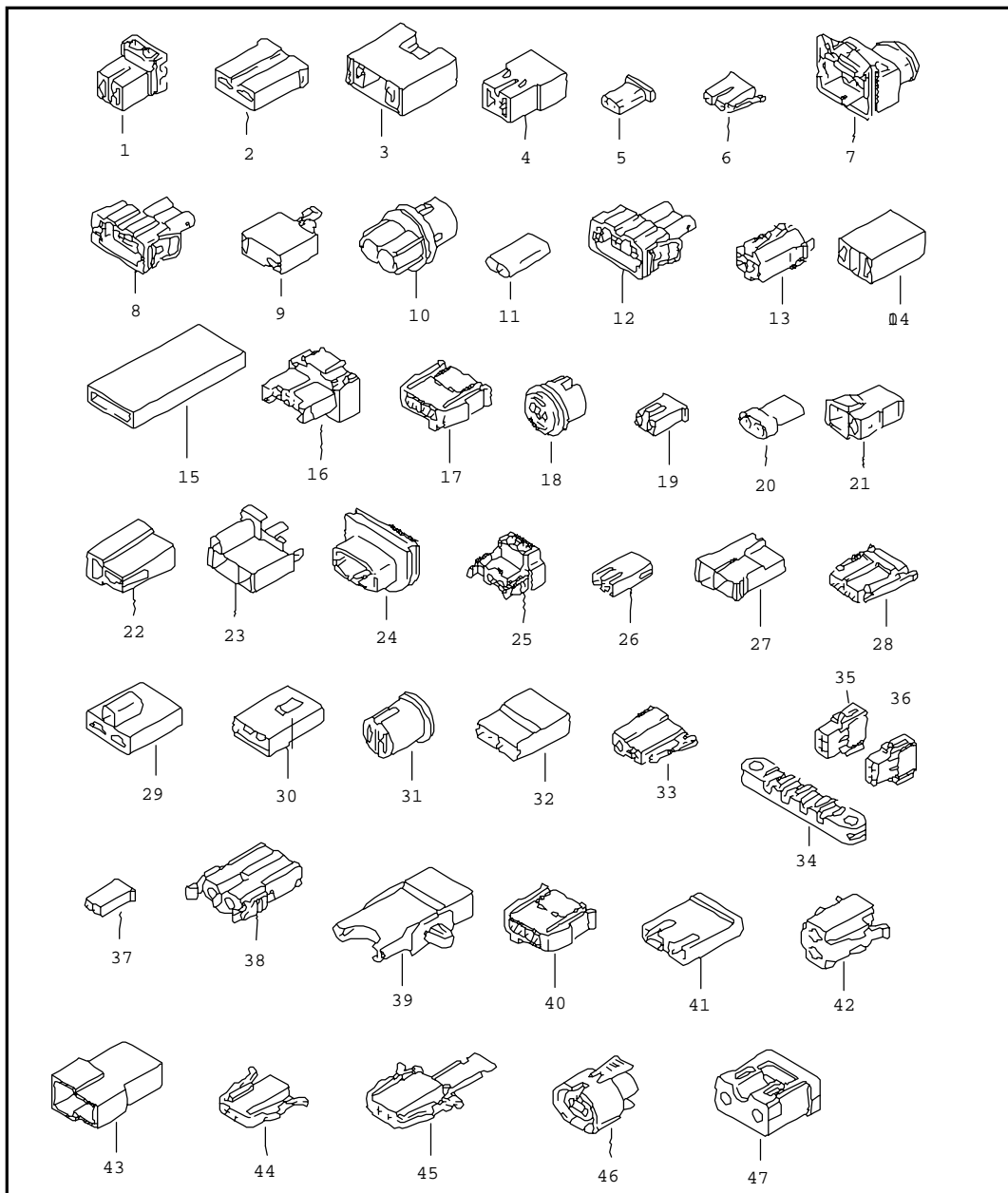
Pos	Part Number	Name	Remarks	Qty	Model	Pos	Part Number	Name	Remarks	Qty	Model
12	111 971 977	flat terminal insulator, for single wiring:	000 979 104 000 979 203 000 979 409	X X X	1,0 2,5 6,0	(24)	7D0 937 701 KD	flat contact housing for single wiring:	1 pin 000 979 133 000 979 133 A 000 979 225	1 1 1 1	1,0 1,0 2,5
13	171 971 990	terminal pin housing for single wiring:	000 979 408	X X	6,0	(24)	7D0 937 711	flat contact housing with helper contact catch for single wiring:	000 979 135 000 979 135 A 000 979 227 000 979 407	1 1 1 1	1 POLIG 1,0 1,0 2,5 6,0
14	443 971 990	terminal pin housing for single wiring:	000 979 408	X X	6,0	25	1H0 972 701	flat contact housing for single wiring:	1 pin 000 979 131	X X	1,0
15	431 971 990 A	terminal pin housing for single wiring:	000 979 106 000 979 129	X X	1,0 1,5	26	535 972 711 H	flat connector housing for single wiring:	1 pin 000 979 302	X X	4,0
16	825 971 994	angled connector for single wiring:	000 979 207	X X	2,5	27	3A0 972 701 H	flat contact housing for single wiring:	1 pin 000 979 133 000 979 133 A 000 979 217	X X X X	1,0 1,0 2,5
17	431 971 995	terminal pin housing for single wiring:	000 979 106 000 979 212 000 979 405	X X X	1,0 2,5 6,0	28	6N0 971 701	terminal pin housing for single wiring:	1 pin 000 979 207	1 X	2,5
18	357 972 577	flat connector housing for single wiring:	white 000 979 129 000 979 219	X X X	1,0 2,5	28	6N0 971 701	terminal pin housing for single wiring:	1 pin 000 979 207	1 X	2,5
19	357 972 580	flat connector housing for single wiring:	black 000 979 129 000 979 219	X X X	1,0 2,5	29	2TA 971 943	wiring harnessadapter	1 pin	1	L80
20	701 906 231	flat contact housing for single wiring:	000 979 133 000 979 133 A 000 979 217	X X X X	1,0 1,0 2,5	30	2TA 973 111	angled connector with loom	1 pin	1	L80
21	447 911 921	terminal pin housing for single wiring:	000 979 107 000 979 204	X X X	1,0 2,5	31	1J0 973 701	flat contact housing for single wiring:	1 pin 000 979 131	1 1	
22	321 945 246	flat contact housing for single wiring:	000 979 135 000 979 227 000 979 407	X X X X	1,0 2,5 6,0	32	2D0 971 989 T	flat contact housing	1 pin	1	
23	321 945 246 A	flat contact housing with retainer guide for single wiring:	000 979 135 000 979 227 000 979 407	X X X X	1,0 2,5 6,0	33	7M0 972 711	flat contact housing	1 pin	1	
24	321 945 246 B	flat contact housing for single wiring:	000 979 135 000 979 227 000 979 407	X X X X	1,0 2,5 6,0	34	7M0 972 751 B	flat contact housing for single wiring:	1 pin 000 979 406	1 X	
						35	2D0 971 989 DC	flat contact housing	1 pin	1	
						36	6N0 971 921	terminal pin housing		1	
						37	2D0 971 989 BR	flat contact housing for single wiring:	4 pin 000 979 106	1	





Pos	Part Number	Name	Remarks	Qty	Model
1	161 971 976 A	connector housing	1 pin		
		flat connector housing		X	
		for single wiring:	000 979 104	X	1,0
			000 979 203	X	2,5
			000 979 409	X	6,0
2	161 971 990 A	terminal pin housing		X	
		for single wiring:	000 979 107	X	1,0
			000 979 204	X	2,5
			000 979 402	X	6,0
3	357 972 751	flat contact housing		X	
		for single wiring:	000 979 133	X	1,0
			000 979 133 A	X	1,0
			000 979 217	X	2,5
4	357 972 761	flat contact housing		X	
		for single wiring:	000 979 129	X	1,0
			000 979 219	X	2,5
5	357 972 771	flat contact housing		X	
		for single wiring:	000 979 135	X	1,0
			000 979 227	X	2,5
			000 979 407	X	6,0
6	357 972 781	flat contact housing		X	
		for single wiring:	000 979 130	X	1,0
			000 979 219	X	2,5
			000 979 302	X	4,0
7	813 972 924	flat contact housing with helper contact catch and grommet		X	
		for single wiring:	000 979 135	X	1,0
			000 979 227	X	2,5
			000 979 407	X	6,0
8	813 972 925	flat contact housing with helper contact catch and grommet		X	
		for single wiring:	000 979 104	X	1,0
			000 979 203	X	2,5
			000 979 409	X	6,0
9	191 972 701	terminal pin housing	1 pin	X	
		for single wiring:	000 979 133	X	1,0
			000 979 133 A	X	1,0
			000 979 217	X	2,5
10	191 972 711	flat connector housing		X	
		for single wiring:	000 979 129	X	1,0
			000 979 219	X	2,5

Model	Year	MG	SG	Illustration	VIN No.	Update	14:36	18.02.20100		ETKA	
EL	90	9	71	970-05		336					



Pos	Part Number	Name	Remarks	Qty	Model	Pos	Part Number	Name	Remarks	Qty	Model
11	191 972 751	flat contact housing for single wiring:	000 979 135 000 979 227 000 979 407	X X X	1,0 2,5 6,0						
12	191 972 761	flat contact housing for single wiring:	000 979 219 000 979 302	X X	2,5 4,0						
13	8A0 972 623	rd. connector sleeve housing for single wiring:	000 979 117 000 979 213	X X	1,0 2,5						
14	8A0 972 643	round connector housing for single wiring:	1 pin 000 979 118 000 979 215	X X X	1,0 2,5						
15	3A0 972 751 H	flat contact housing for single wiring:	1 pin 000 979 135 000 979 227 000 979 407	X X X X	1,0 2,5 6,0						
16	3A0 972 761 H	flat contact housing for single wiring:	1 pin 000 979 130 000 979 219 000 979 302	X X X X	1,0 2,5 4,0						
17	535 972 701	flat contact housing for single wiring:	1 pin 000 979 131 000 979 131 A	1 X X	1,0 1,0						
18	535 972 711	flat contact housing for single wiring:	1 pin 000 979 132 000 979 132 A	X X X	1,0 1,0						
19	1J0 972 751	flat contact housing for single wiring:	1 pin 000 979 133	1 X	1,0						
20	1J0 972 761	flat contact housing with helper contact catch for single wiring:	1 pin black 000 979 136	1 X	1,0						



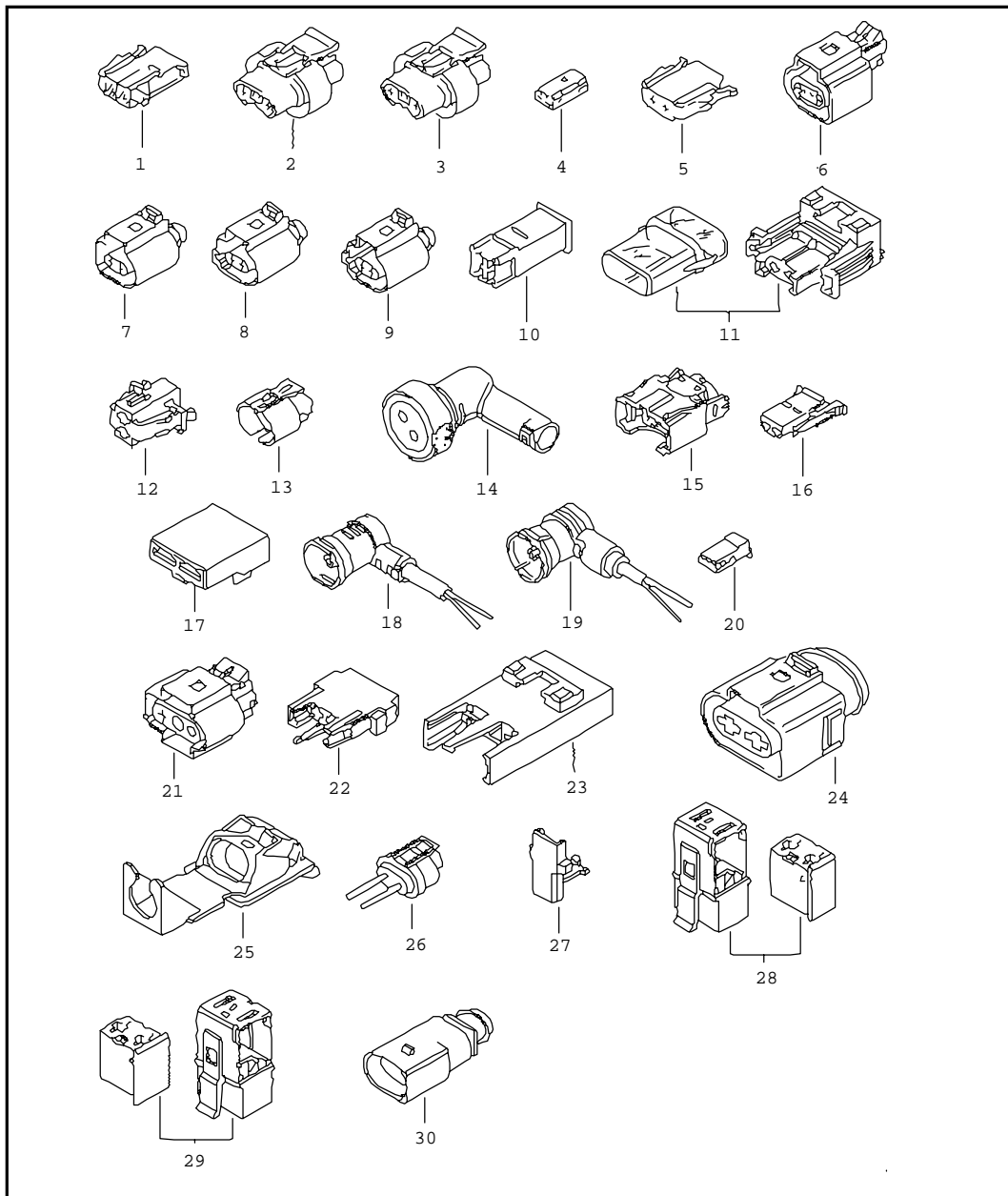
Pos	Part Number	Name	Remarks	Qty	Model
1	171 035 447	connector housing angled connector for single wiring:	2 pin 6,3 000 979 207	X X	2,5
2	171 906 231	terminal pin housing for single wiring:	000 979 107 000 979 204 000 979 402	X X X	1,0 2,5 6,0
3	171 906 231 B	terminal pin housing for single wiring:	000 979 107 000 979 204 000 979 402	X X X	1,0 2,5 6,0
4	2D0 971 989 CN	flat contact housing for single wiring:	2 pin 000 979 107 000 979 204 000 979 402	1 X X X	1,0 2,5 6,0
5	443 906 231	terminal pin housing for single wiring:	000 979 105 000 979 106	X X X	1,0 1,0
6	867 906 231	terminal pin housing for single wiring:	000 979 105 000 979 106	X X X	1,0 1,0
7	191 906 232 A	flat contact housing for single wiring:	000 979 135 000 979 227 000 979 407	X X X	1,0 2,5 6,0
8	357 906 232	flat contact housing for single wiring:	000 979 135 000 979 227 000 979 407	X X X	1,0 2,5 6,0
9	321 906 233	terminal pin housing for single wiring:	000 979 107 000 979 204 000 979 402	X X X	1,0 2,5 6,0
10	2D0 971 989 AC	flat contact housing for single wiring:	2 pin 000 979 147	1 X	
10	2D0 971 989 AC	flat contact housing for single wiring:	2 pin 000 979 147	1 X	
11	058 906 293	terminal pin housing for single wiring:	000 979 105 000 979 106	X X X	1,0 1,0

Model	Year	MG	SG	Illustration	VIN No.	Update	14:37	18.02.20100		ETKA	
EL	90	9	71	970-10		336					



Pos	Part Number	Name	Remarks	Qty	Model	Pos	Part Number	Name	Remarks	Qty	Model
12	357 906 752	flat contact housing for single wiring:	000 979 133 000 979 133 A 000 979 217	X X X	1,0 1,0 2,5	21	171 971 934	terminal pin housing for single wiring:	000 979 104 000 979 107 000 979 203 000 979 204 000 979 402 000 979 408	X X X X X X	1,0 1,0 2,5 2,5 6,0 6,0
13	191 919 231	flat contact housing for single wiring:	000 979 135 000 979 227 000 979 407	X X X	1,0 2,5 6,0	22	2D0 971 989 BB	flat connector housing for single wiring:	2 pin 000 979 107 000 979 204 000 979 402	1 X X X	1,0 2,5 6,0
14	431 919 381	terminal pin housing for single wiring:	000 979 107 000 979 204 000 979 402	X X X	1,0 2,5 6,0	23	357 971 975	terminal pin housing for single wiring:	000 979 104 000 979 129 000 979 203 000 979 219 000 979 409	X X X X X	1,0 1,0 2,5 2,5 6,0
15	111 937 078	cable connector		X		24	251 971 976	flat connector housing for single wiring:	000 979 104 000 979 203 000 979 409	X X X	1,0 2,5 6,0
16	1H0 937 530	fuse box for flat fuses for single wiring:	2 pin 000 979 135 000 979 227 000 979 407	X X X X	1,0 2,5 6,0	25	447 971 988	terminal pin housing for contact:	447 972 980	X X	0,5-4,0
(16)	161 937 501	fuse box for flat fuses for single wiring:	000 979 135 000 979 227 000 979 407	X X X	1,0 2,5 6,0	26	441 971 989	terminal pin housing for single wiring:	000 979 133 000 979 133 A 000 979 217	X X X	1,0 1,0 2,5
17	321 945 247	flat contact housing for single wiring:	000 979 135 000 979 227 000 979 407	X X X	1,0 2,5 6,0	26	441 971 989	terminal pin housing for single wiring:	000 979 133 000 979 133 A 000 979 217	X X X	1,0 1,0 2,5
18	111 945 525	terminal pin housing for single wiring:	000 979 107 000 979 204 000 979 402	X X X	1,0 2,5 6,0	27	443 971 989	terminal pin housing for single wiring:	000 979 106 000 979 212 000 979 405	X X X	1,0 2,5 6,0
18	111 945 525	terminal pin housing for single wiring:	000 979 107 000 979 204 000 979 402	X X X	1,0 2,5 6,0	28	191 971 993	flat contact housing for single wiring:	000 979 135 000 979 227 000 979 407	X X X	1,0 2,5 6,0
19	357 947 231	flat contact housing for single wiring:	000 979 105 000 979 106	X X	1,0 1,0	29	431 971 993	terminal pin housing for single wiring:	000 979 107 000 979 204 000 979 402	X X X	1,0 2,5 6,0
20	431 959 871	rd. connector sleeve housing for single wiring:	000 979 110 000 979 211	X X	1,0 2,5						

Model	Year	MG	SG	Illustration	VIN No.	Update	14:37	18.02.20100		ETKA	
EL	90	9	71	970-10		336					



Pos	Part Number	Name	Remarks	Qty	Model	Pos	Part Number	Name	Remarks	Qty	Model
30	447 971 993	flat connector housing for single wiring:	000 979 104 000 979 203 000 979 409	X X X	1,0 2,5 6,0	42	191 972 771	flat contact housing for single wiring:	000 979 135 000 979 227 000 979 407	X X X	1,0 2,5 6,0
31	810 971 993	terminal pin housing for single wiring:	000 979 107 000 979 204 000 979 402	X X X	1,0 2,5 6,0	43	2D0 971 989 E	flat contact housing for single wiring:	2 pin 000 979 222	X X	
32	443 971 996	terminal pin housing for single wiring:	000 979 106 000 979 212 000 979 405	X X X	1,0 2,5 6,0	44	1H0 972 721	flat contact housing for single wiring:	2 pin 000 979 131 000 979 131 A	X X X	1,0 1,0
33	171 971 997 D	flat contact housing for single wiring:	000 979 135 000 979 227 000 979 407	X X X	1,0 2,5 6,0	45	1H5 972 702	flat contact housing for single wiring:	2 pin 000 979 133 000 979 133 A 000 979 217	X X X X	1,0 1,0 2,5
34	443 972 559	retaining strip for diagnosis plug		X		46	1H0 972 117	flat contact housing with gasket for single wiring:	2 pin 000 979 002	X X	0,5
35	443 972 577 E	flat contact housing for single wiring:	white 000 979 133 000 979 133 A 000 979 217	X X X X	1,0 1,0 2,5	47	2D0 971 989 DE	flat connector housing for single wiring:	2 pin 2D0 972 982 D	X	1
36	443 972 580	flat contact housing for single wiring:	black 000 979 133 000 979 133 A 000 979 217	X X X X	1,0 1,0 2,5						
37	443 972 992	terminal pin housing for single wiring:	000 979 105 000 979 106	X X X	1,0 1,0						
38	2D0 971 989 A	flat contact housing	2 pin	1							
39	441 937 501	fuse box for flat fuses for single wiring:	000 979 135 000 979 227 000 979 407	X X X	1,0 2,5 6,0						
40	321 945 247 A	flat contact housing for single wiring:	000 979 135 000 979 227 000 979 407	X X X	1,0 2,5 6,0						
41	431 971 989	terminal pin housing for single wiring:	000 979 202	X X	2,5						



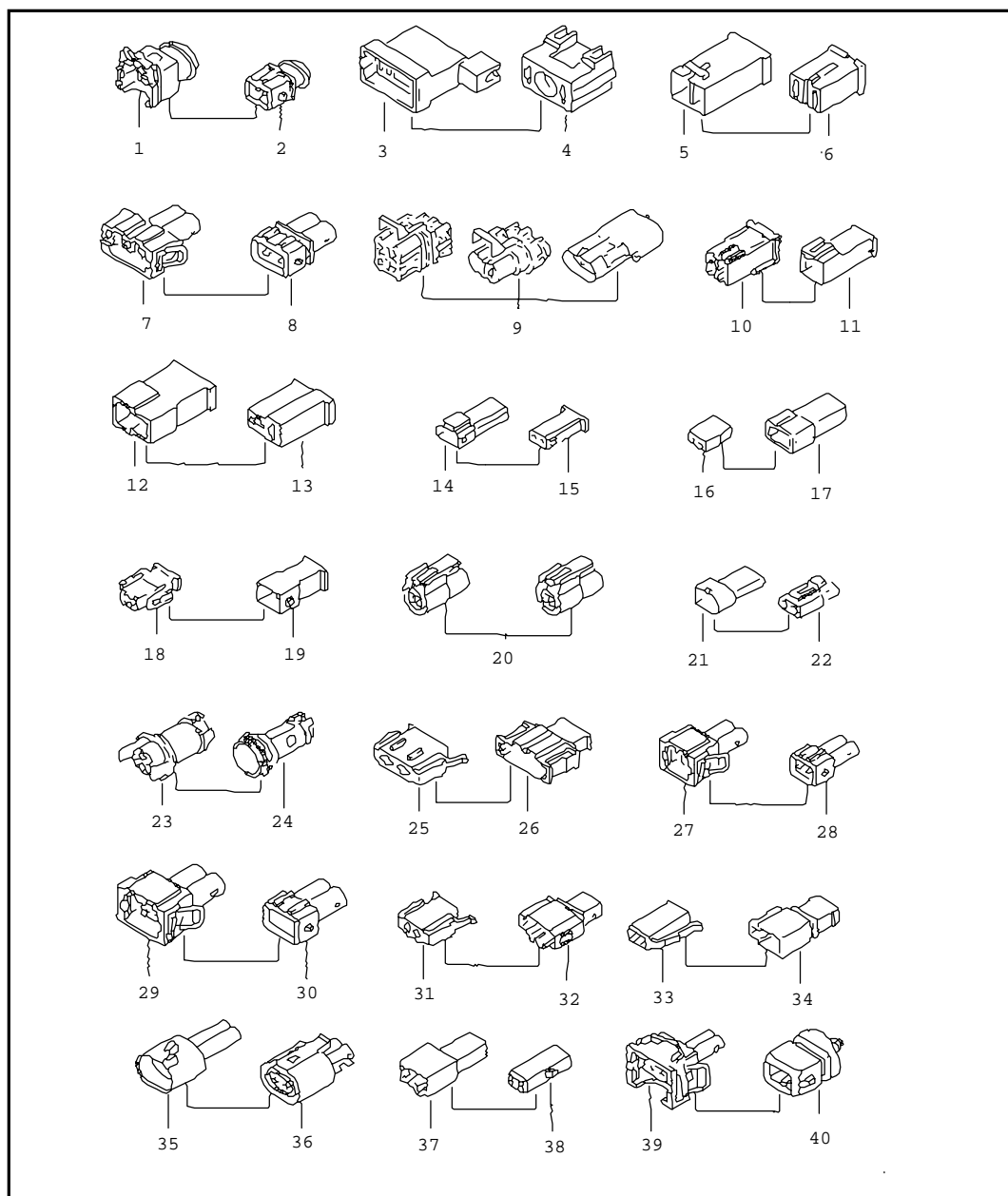
Pos	Part Number	Name	Remarks	Qty	Model
1	357 919 968	connector housing flat contact housing with helper contact catch for vehicles with trailers	2 pin green	1	
		for single wiring:	000 979 133 000 979 133 A 000 979 217	X X X	1,0 1,0 2,5
2	1H0 941 113	flat contact housing connecting piece twin headlamps	56B	2	
		for single wiring:	000 979 133 000 979 133 A 000 979 217	X X X	1,0 1,0 2,5
3	1H0 941 113 A	flat contact housing connecting piece twin headlamps	56A	2	
		for single wiring:	000 979 133 000 979 133 A 000 979 217	X X X	1,0 1,0 2,5
4	8D0 972 623 AA	flat contact housing	2 pin	1	
		for single wiring:	000 979 003 A	X	0,5
(4)	3B0 973 115	flat contact housing	2 pin	X	
		for single wiring:	000 979 009	X	0,5
5	1H0 972 702	flat contact housing	2 pin	1	
		for single wiring:	000 979 106	X	1,0
6	6N0 973 702	flat contact housing	2 pin	1	
		for single wiring:	000 979 131 000 979 131 A	X X	1,0 1,0
7	1J0 973 702	flat connector housing	2 pin black	1	
		for single wiring:	000 979 131 000 979 131 A	X X	1,0 1,0
8	1J0 973 702 A	flat connector housing	2 pin brown	1	
		for single wiring:	000 979 131 000 979 131 A	X X	1,0 1,0
9	1J0 973 702 B	flat connector housing	2 pin red	1	
		for single wiring:	000 979 131 000 979 131 A	X X	1,0 1,0
10	8D0 971 959	flat contact housing	2 pin	1	
		for single wiring:	000 979 212	X	2,5

Model	Year	MG	SG	Illustration	VIN No.	Update	14:37	18.02.20100		ETKA	
EL	90	9	71	970-11		336					



Pos	Part Number	Name	Remarks	Qty	Model	Pos	Part Number	Name	Remarks	Qty	Model
11	1J0 937 530	fuse holder for single wiring:	2 pin 000 979 227	X X	2,5	29	4B0 971 959 A	flat contact housing for single wiring:	2 pin brown 000 979 411	1 6,0	
12	1J0 972 771	flat contact housing for single wiring:	2 pin 000 979 135 000 979 227	1 3 1	1,0 2,5	30	8D0 973 822	flat contact housing for single wiring:	2 pin 000 979 134 000 979 134 A 000 979 226 000 979 226 A	1 X X X X	1,0 1,0 2,5 2,5
13	1J0 973 117	flat contact housing for single wiring:	2 pin 000 979 003 A	1 X	0,5	-	1J0 973 772	flat connector housing with additional contact catch for single wiring:	2 pin 000 979 131 000 979 131 A	1 X X	
14	2D0 971 989 AB	round connector housing	2 pin	1							
15	037 973 202	flat contact housing for single wiring:	2 pin 000 979 133 A 000 979 133 AB	1 X X	1,0 1,0						
16	2D0 971 989 AE	flat contact housing	2 pin	1							
17	2D0 971 989 AT	flat contact housing for single wiring:	2 pin 000 979 408	1 X	6,0						
18	2D0 971 989 N	flat contact housing	2 pin	1							
19	2D0 971 989 P	flat contact housing	2 pin	1							
20	4B0 973 119	flat contact housing for single wiring:	2 pin 000 979 003 A	X X	0,5						
21	7M0 973 202	flat contact housing for single wiring:	2 pin 000 979 133 000 979 133 A	1 X X	1,0 1,0						
22	701 937 530	fuse box for flat fuses	2 pin	X							
23	3A0 937 501 A	fuse holder for single wiring:	2 pin 000 979 406	1 X	ecomatic 6,0						
24	4B0 971 955	flat contact housing for single wiring:	2 pin 000 979 411	1 X	6,0						
25	7M0 973 802 B	flat contact housing for single wiring:	2 pin 000 979 132 000 979 132 A	1 X X	1,0 1,0						
26	2TA 973 112 B	cylindrical connector with retaining lug	2 pin	1							
27	038 906 231	flat contact housing for single wiring:	2 pin	1							
28	4B0 971 959	flat contact housing for single wiring:	2 pin black 000 979 411	1	6,0						

Model	Year	MG	SG	Illustration	VIN No.	Update	14:58	18.02.20100		ETKA	
EL	90	9	71	970-12		336					



Pos	Part Number	Name	Remarks	Qty	Model
		connector housing	2 pin		
-	4D0 971 992	flat connector housing with additional contact catch for single wiring:	2 pin 000 979 141	1 X	1,0
-	4B0 937 530	fuse holder flat fuse	2 pin 19/2x5 for single wiring:	X	
			000 979 135	X	1,0.
			000 979 227	X	2,5
			000 979 407	X	6,0



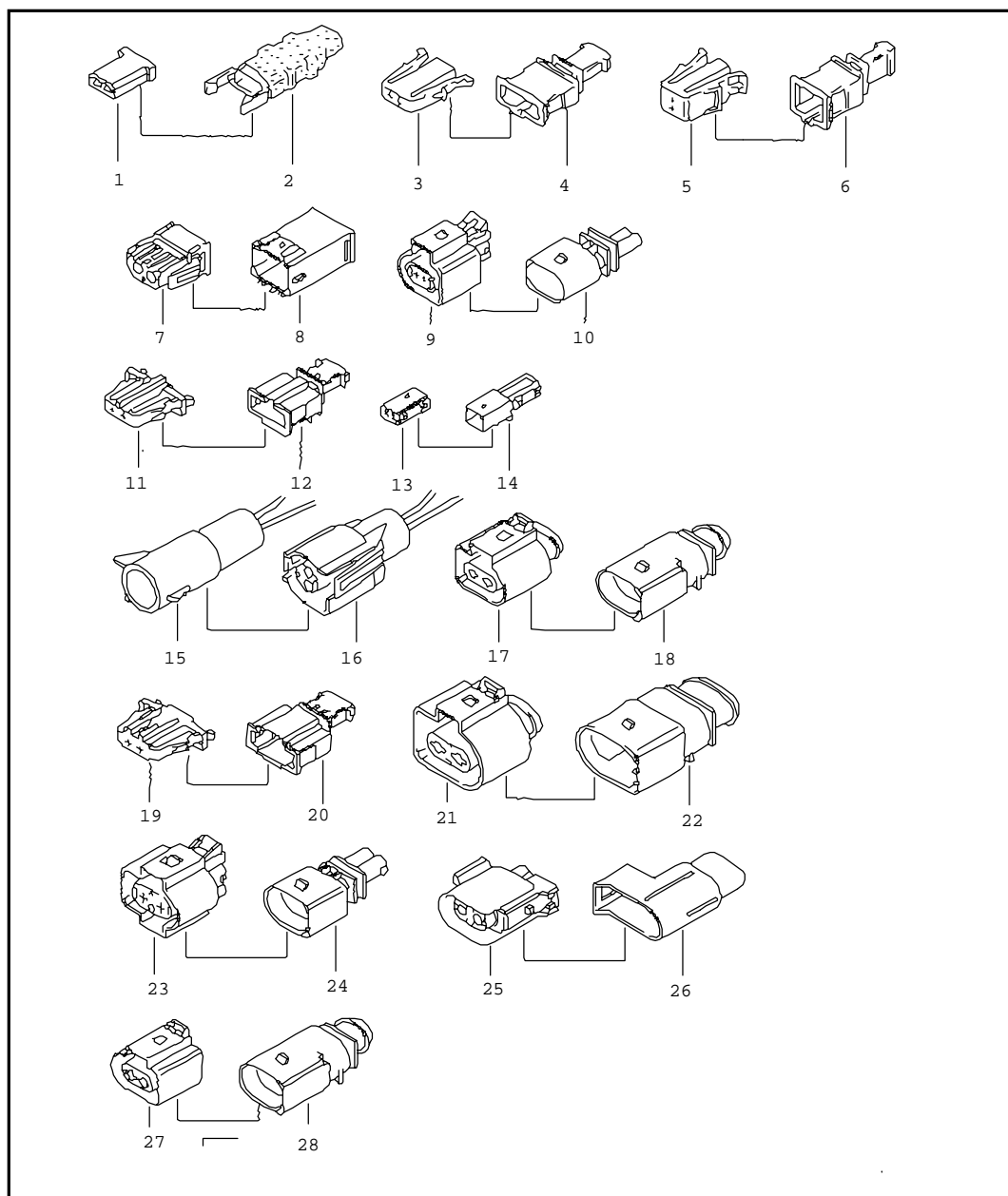
Pos	Part Number	Name	Remarks	Qty	Model
1	443 906 232	connector housing flat contact housing for single wiring:	2 pin 000 979 133 000 979 133 A 000 979 217	1 X X X	1,0 1,0 2,5
2	8D0 971 946	flat contact housing with helper contact catch for single wiring:	2 pin black 000 979 134	1 X	1,0
3	---	no longer available			
4	---	no longer available			
5	325 941 599	flat connector housing for single wiring:	2 pin 000 979 104 000 979 203 000 979 409	X X X X	1,0 2,5 6,0
6	321 941 600	terminal pin housing for single wiring:	000 979 107 000 979 204 000 979 402	X X X	1,0 2,5 6,0
7	357 951 772	flat contact housing for single wiring:	000 979 107 000 979 204 000 979 402	X X X X	1,0 2,5 6,0
8	357 951 782	flat contact housing for single wiring:	000 979 130 000 979 219 000 979 302	X X X X	1,0 2,5 4,0
9	443 971 973 A	1 set of connectors		X	air condit.
10	443 971 961	terminal pin housing for single wiring:	000 979 106 000 979 212 000 979 405	X X X X	1,0 2,5 6,0
11	443 971 962	flat connector housing for single wiring:	000 979 104 000 979 203 000 979 409	X X X X	1,0 2,5 6,0
12	161 971 988 C	flat connector housing for single wiring:	000 979 104 000 979 203 000 979 409	X X X X	1,0 2,5 6,0
13	161 971 989 C	terminal pin housing for single wiring:	000 979 107 000 979 204 000 979 402	X X X X	1,0 2,5 6,0

Model	Year	MG	SG	Illustration	VIN No.	Update	14:37	18.02.20100		ETKA	
EL	90	9	71	970-20		336					



Pos	Part Number	Name	Remarks	Qty	Model	Pos	Part Number	Name	Remarks	Qty	Model
14	171 971 998 A	round connector housing for single wiring:	000 979 109 000 979 209	X X	1,0 2,5	25	1J0 972 752	flat contact housing for single wiring:	2 pin 000 979 133 000 979 133 A 000 979 225	X X X X	1,0 1,0 2,5
15	171 971 999 A	rd. connector sleeve housing for single wiring:	000 979 108 000 979 208	X X	1,0 2,5	(25)	191 972 752	flat contact housing for single wiring:	000 979 133 000 979 133 A 000 979 217	X X X	1,0 1,0 2,5
16	810 971 989	terminal pin housing for single wiring:	000 979 106	X	1,0	26	191 972 762	flat contact housing for single wiring:	000 979 130 000 979 219 000 979 302	X X X	1,0 2,5 4,0
17	823 971 988	flat connector housing for single wiring:	000 979 103	X	1,0	(26)	1H0 972 762	contact bridge	2 pin		
18	893 971 632	flat contact housing for single wiring:	000 979 133 000 979 133 A 000 979 217	X X X	1,0 1,0 2,5	27	357 972 752	flat contact housing for single wiring:	000 979 133 000 979 133 A 000 979 217	X X X	1,0 1,0 2,5
19	4B0 971 992	flat connector housing for single wiring:	2 pin 000 979 134 000 979 134 A 000 979 226 000 979 226 A	1 X X X X	1,0 1,0 2,5 2,5	27	357 972 752	flat contact housing for single wiring:	000 979 133 000 979 133 A 000 979 217	X X X	1,0 1,0 2,5
(19)	893 971 992	terminal pin housing for single wiring:	000 979 103	X	1,0	28	357 972 762	flat connector housing for single wiring:	000 979 129 000 979 219	X X	1,0 2,5
20	893 972 561	1 set of connectors		X	air condit.	29	357 972 772	flat contact housing for single wiring:	000 979 135 000 979 227 000 979 407	X X X	1,0 2,5 6,0
21	811 972 575	round connector housing for single wiring:	000 979 111 000 979 210 000 979 304	X X X	1,0 2,5 4,0	30	357 972 782	flat contact housing for single wiring:	000 979 130 000 979 219 000 979 302	X X X	1,0 2,5 4,0
22	811 972 577	rd. connector sleeve housing for single wiring:	000 979 110 000 979 211 000 979 305	X X X	1,0 2,5 4,0	31	191 972 702	flat contact housing for single wiring:	000 979 133 000 979 133 A 000 979 217	X X X	1,0 1,0 2,5
23	813 972 923	flat contact housing with helper contact catch and grommet for single wiring:	000 979 135 000 979 227 000 979 407	X X X	1,0 2,5 6,0	32	191 972 712	flat connector housing for single wiring:	000 979 129 000 979 219	X X	1,0 2,5
24	813 972 926	flat contact housing with helper contact catch and grommet for single wiring:	000 979 104 000 979 203 000 979 409	X X X	1,0 2,5 6,0	33	191 906 231 A	flat contact housing for single wiring:	000 979 133 000 979 133 A 000 979 217	X X X	1,0 1,0 2,5

Model	Year	MG	SG	Illustration	VIN No.	Update	14:37	18.02.20100		ETKA	
EL	90	9	71	970-20		336					

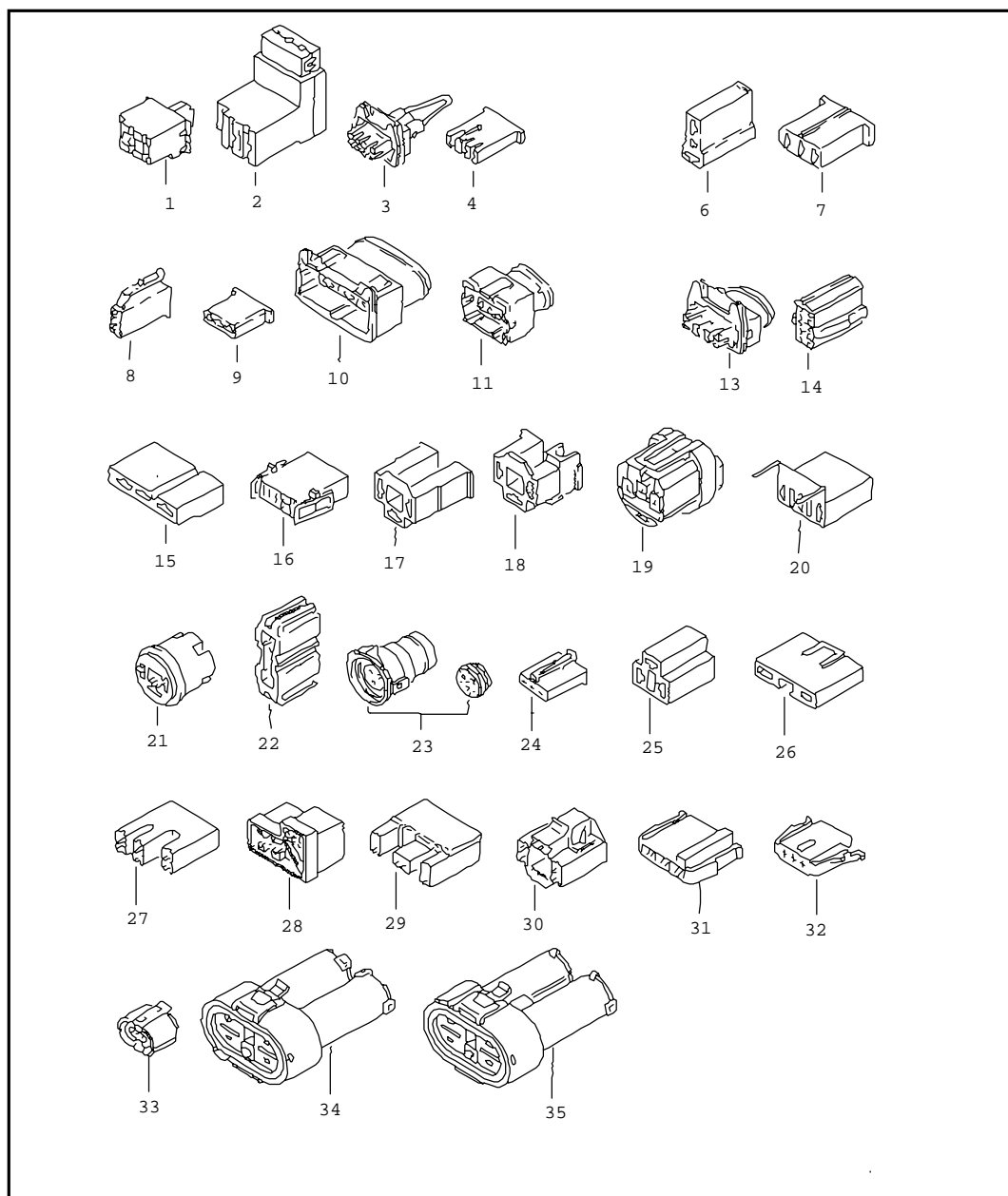
Pos	Part Number	Name	Remarks	Qty	Model	Pos	Part Number	Name	Remarks	Qty	Model
34	1H0 906 712	flat connector housing for single wiring:	000 979 129 000 979 219	X X X	1,0 2,5						
35	357 973 332	flat contact housing for single wiring:	000 979 129 000 979 219	X X X	1,0 2,5						
36	357 973 202	flat contact housing with gasket for single wiring:	000 979 133 000 979 133 A 000 979 217	X X X	1,0 1,0 2,5						
37	1J0 973 332	flat contact housing for single wiring:	2 pin 000 979 132 000 979 132 A	1 X X	1,0 1,0						
38	1J0 973 119	flat contact housing for single wiring:	2 pin 000 979 131 000 979 131 A	1 X X	1,0 1,0						
(38)	1H0 973 121 C	flat contact housing for single wiring:	2 pin 000 979 131 000 979 131 A	X X X	1,0 1,0						
39	037 906 240	flat contact housing for single wiring:	2 pin 000 979 126 000 979 217	X X X	1,0 2,5						
40	701 971 907	mounting		X							





Pos	Part Number	Name	Remarks	Qty	Model
		connector housing	2 pin		
1	443 906 231	terminal pin housing	2 pin	X	
		for single wiring:	000 979 105	X	1,0
			000 979 106	X	1,0
2	4A0 906 238	plug bridge		1	
3	1H0 972 702 A	flat contact housing	2 pin	1	
		for single wiring:	000 979 131	X	1,0
			000 979 131 A	X	1,0
4	535 972 712	flat contact housing	2 pin	1	
		for single wiring:	000 979 132	X	1,0
			000 979 132 A	X	1,0
5	535 972 721	flat contact housing	2 pin	X	
		for single wiring:	000 979 132	X	1,0
6	535 972 731	flat connector housing	2 pin	X	
		for single wiring:	000 979 131	X	1,0
7	443 971 943	rd. connector sleeve housing		X	
		for single wiring:	000 979 120	X	1,0
			000 979 120 A	X	1,0
8	8D0 971 945	round connector housing with contact lock	2 pin black	1	
		for single wiring:	000 979 119	X	1,0
			000 979 119 A	X	1,0
			000 979 216	X	2,5
9	6N0 973 702	flat contact housing	2 pin	1	
		for single wiring:	000 979 131	X	1,0
			000 979 131 A	X	1,0
10	6N0 973 802	flat contact housing	2 pin	1	
		for single wiring:	000 979 132	X	1,0
			000 979 132 A	X	1,0
11	3B0 972 702	flat contact housing with helper contact catch	2 pin black	1	
		for single wiring:	000 979 131	X	1,0
			000 979 131 A	X	1,0
		GEGENSTUECK:	3B0 972 712	X	
11	3B0 972 702	flat contact housing with helper contact catch	2 pin black	1	
		for single wiring:	000 979 131	X	1,0
			000 979 131 A	X	1,0
		GEGENSTUECK:	3B0 972 712	X	
(11)	1J0 971 972	flat connector housing loudspeaker	2 pin	1	
		for single wiring:	000 979 131	X	1,0
			000 979 131 A	X	1,0

Model	Year	MG	SG	Illustration	VIN No.	Update	14:38	18.02.20100		ETKA	
EL	90	9	71	970-21		336					



Pos	Part Number	Name	Remarks	Qty	Model	Pos	Part Number	Name	Remarks	Qty	Model
(11)	3B0 973 702	flat connector housing acceleration sensor for single wiring:	2 pin yellow 000 979 131 000 979 131 A	1 X 1,0 X 1,0		25	7M0 906 232 R	rd. connector sleeve housing for single wiring:	2 pin 000 979 145 000 979 238	1 X 1,0 X 2,5	
12	3B0 972 712	flat contact housing with helper contact catch for single wiring:	2 pin 000 979 132	X X 1,0		26	7M0 972 731	flat contact housing for single wiring:	2 pin 000 979 146 000 979 239	1 X 1,0 X 2,5	
13	8D0 972 623 AA	flat contact housing for single wiring:	2 pin 000 979 003 A	1 X 1,0		27	1J0 973 702	flat connector housing for single wiring:	2 pin black 000 979 131 000 979 131 A	1 X 1,0 X 1,0	
14	8D0 972 643	flat contact housing	2 pin	1		28	1J0 973 802	flat contact housing for single wiring:	2 pin 000 979 132 000 979 132 A	1 X 1,0 X 1,0	
15	2TA 973 102 A	round connector housing	2 pin	1 L 80							
16	2TA 973 112 A	cylindrical connector with retaining lug	2 pin	1 L 80							
17	1J0 973 722	flat contact housing with helper contact catch for single wiring:	2 pin black 000 979 133 000 979 133 A 000 979 225 000 979 225 A	1 X 1,0 X 1,0 X 2,5 X 2,5							
18	8D0 973 822	flat contact housing for single wiring:	2 pin 000 979 134 000 979 134 A 000 979 226 000 979 226 A	1 X 1,0 X 1,0 X 2,5 X 2,5							
19	1J0 972 702	flat contact housing for single wiring:	2 pin 000 979 133 000 979 133 A	1 X 1,0 X 1,0							
20	1J0 972 712	flat connector housing with additional contact catch for single wiring:	2 pin black 000 979 134 000 979 134 A	1 X 1,0 X 1,0							
21	1J0 973 752	flat contact housing for single wiring:	2 pin 000 979 135 000 979 227 A	1 X 1,0 X 2,5							
22	1J0 973 852	flat contact housing for single wiring:	2 pin 000 979 136 000 979 228	1 X 1,0 X 2,5							
23	3B0 973 722	flat contact housing for single wiring:	2 pin 000 979 217	2 X 2,5							
24	3B0 973 822	flat contact housing for single wiring:	2 pin 000 979 129	1 X 1,0							



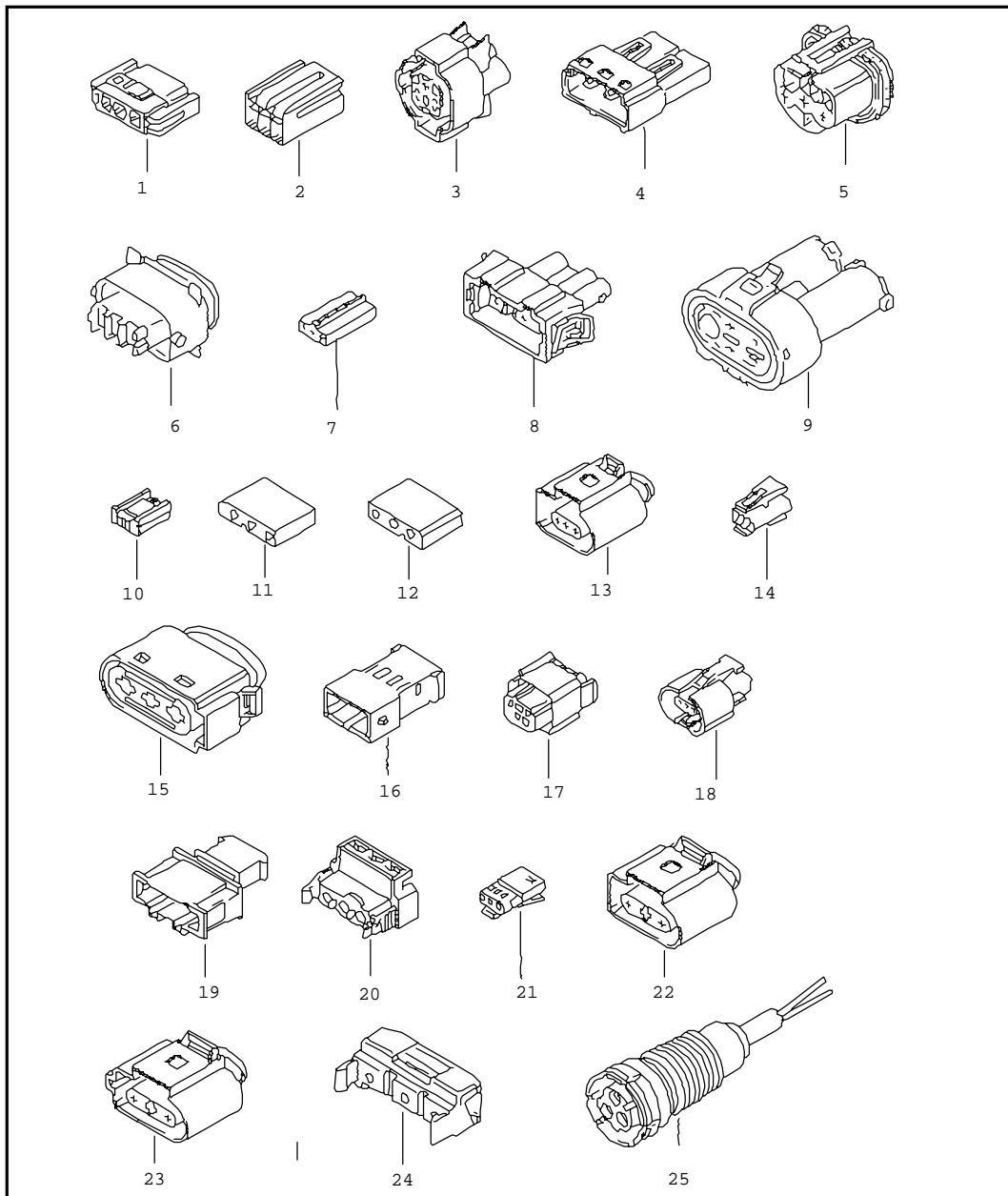
Pos	Part Number	Name	Remarks	Qty	Model		
1	171 903 845	connector housing	3 pin				
		terminal pin housing		X			
		for single wiring:	000 979 207 000 979 303	X X	2,5 4,0		
2	055 903 845 C	angled connector	3 pin	X			
		for single wiring:	000 979 107 000 979 204 000 979 224 000 979 408	1 1 2 2	1,0 2,5 2,5 6,0		
		3	357 905 327	flat contact housing		X	
				for single wiring:	000 979 133 000 979 133 A 000 979 217	X X X	1,0 1,0 2,5
				4	211 905 327	flat contact housing	
for single wiring:	000 979 133 000 979 133 A 000 979 217					X X X	1,0 1,0 2,5
6	321 906 231	terminal pin housing				X	
		for single wiring:	000 979 106 000 979 107 000 979 204 000 979 402	X X X X	1,0 1,0 2,5 6,0		
		7	893 906 231	terminal pin housing		X	
				for single wiring:	000 979 107 000 979 204 000 979 402	X X X	1,0 2,5 6,0
				8	191 906 231 B	flat contact housing	
for single wiring:	000 979 133 000 979 133 A 000 979 217					X X X	1,0 1,0 2,5
9	311 906 231 B	terminal pin housing				X	
		for single wiring:	000 979 105 000 979 106	X X	1,0 1,0		
		10	893 906 232	terminal pin housing	3 pin	X	
				for single wiring:	000 979 135 000 979 227 000 979 407	X X X	1,0 2,5 6,0
				11	022 906 233 B	flat contact housing	
		for single wiring:	000 979 133 000 979 133 A 000 979 217			X X X	1,0 1,0 2,5
(11)	1H0 973 703	flat contact housing	3 pin			1	
for single wiring:		000 979 126	X			1,0	

Model	Year	MG	SG	Illustration	VIN No.	Update	14:38	18.02.20100		ETKA	
EL	90	9	71	970-30		336					



Pos	Part Number	Name	Remarks	Qty	Model	Pos	Part Number	Name	Remarks	Qty	Model
13	443 906 236	flat contact housing for single wiring:	000 979 133 000 979 133 A 000 979 217	X X X	1,0 1,0 2,5	25	321 971 970	terminal pin housing for single wiring:	000 979 107 000 979 204 000 979 402	X X X	1,0 2,5 6,0
14	191 919 321	flat contact housing see illustration: for single wiring:	972-12 000 979 135 000 979 227 000 979 407	X X X X	1,0 2,5 6,0	26	431 971 970	terminal pin housing for single wiring:	000 979 107 000 979 204 000 979 402	X X X	1,0 2,5 6,0
15	431 919 993	terminal pin housing for single wiring:	000 979 107 000 979 204 000 979 402	X X X	1,0 2,5 6,0	27	811 971 975	terminal pin housing for single wiring:	000 979 106 000 979 212 000 979 405	X X X	1,0 2,5 6,0
16	171 927 235	terminal pin housing for single wiring:	000 979 107 000 979 204 000 979 402	X X X	1,0 2,5 6,0	28	--- --- ---	no longer available			
17	161 941 165	terminal pin housing for single wiring:	000 979 206	X X	2,5	29	443 971 985	terminal pin housing for single wiring:	000 979 106 000 979 212 000 979 405	X X X	1,0 2,5 6,0
18	161 941 165 A	terminal pin housing for single wiring:	000 979 205	X X	2,5	29	443 971 985	terminal pin housing for single wiring:	000 979 106 000 979 212 000 979 405	X X X	1,0 2,5 6,0
19	165 941 165	flat contact housing for single wiring:	000 979 133 000 979 133 A 000 979 217	X X X	1,0 1,0 2,5	30	443 972 993	terminal pin housing for single wiring:	000 979 106 000 979 212 000 979 405	X X X	1,0 2,5 6,0
20	161 941 767	terminal pin housing for single wiring:	000 979 107 000 979 204 000 979 402	X X X	1,0 2,5 6,0	31	321 945 248	flat contact housing for single wiring:	000 979 135 000 979 227 000 979 407	X X X	1,0 2,5 6,0
21	113 945 525	terminal pin housing for single wiring:	000 979 107 000 979 204 000 979 402	X X X	1,0 2,5 6,0	32	1H0 972 703	flat contact housing for single wiring:	000 979 133 000 979 133 A 000 979 217	X X X	1,0 1,0 2,5
22	443 959 840	flat contact housing for single wiring:	000 979 135 000 979 227 000 979 407	X X X	1,0 2,5 6,0	33	1H0 972 117 A	flat contact housing with gasket for single wiring:	3 pin 000 979 002	X X	0,5
23	443 971 920	rd. connector sleeve housing with grommet for single wiring:	000 979 117 000 979 213	X X	1,0 2,5	34	701 973 203	flat contact housing for single wiring:	000 979 133 000 979 133 A 000 979 217 000 979 406	X X X X	1,0 1,0 2,5 6,0
24	191 971 835	terminal pin housing for single wiring:	000 979 105 000 979 106	X X	1,0 1,0						

Model	Year	MG	SG	Illustration	VIN No.	Update	14:38	18.02.20100		ETKA	
EL	90	9	71	970-30		336					



Pos	Part Number	Name	Remarks	Qty	Model	Pos	Part Number	Name	Remarks	Qty	Model
35	701 973 203 A	flat contact housing for single wiring:	000 979 133 000 979 133 A 000 979 217 000 979 406	X X X X	1,0 1,0 2,5 6,0						



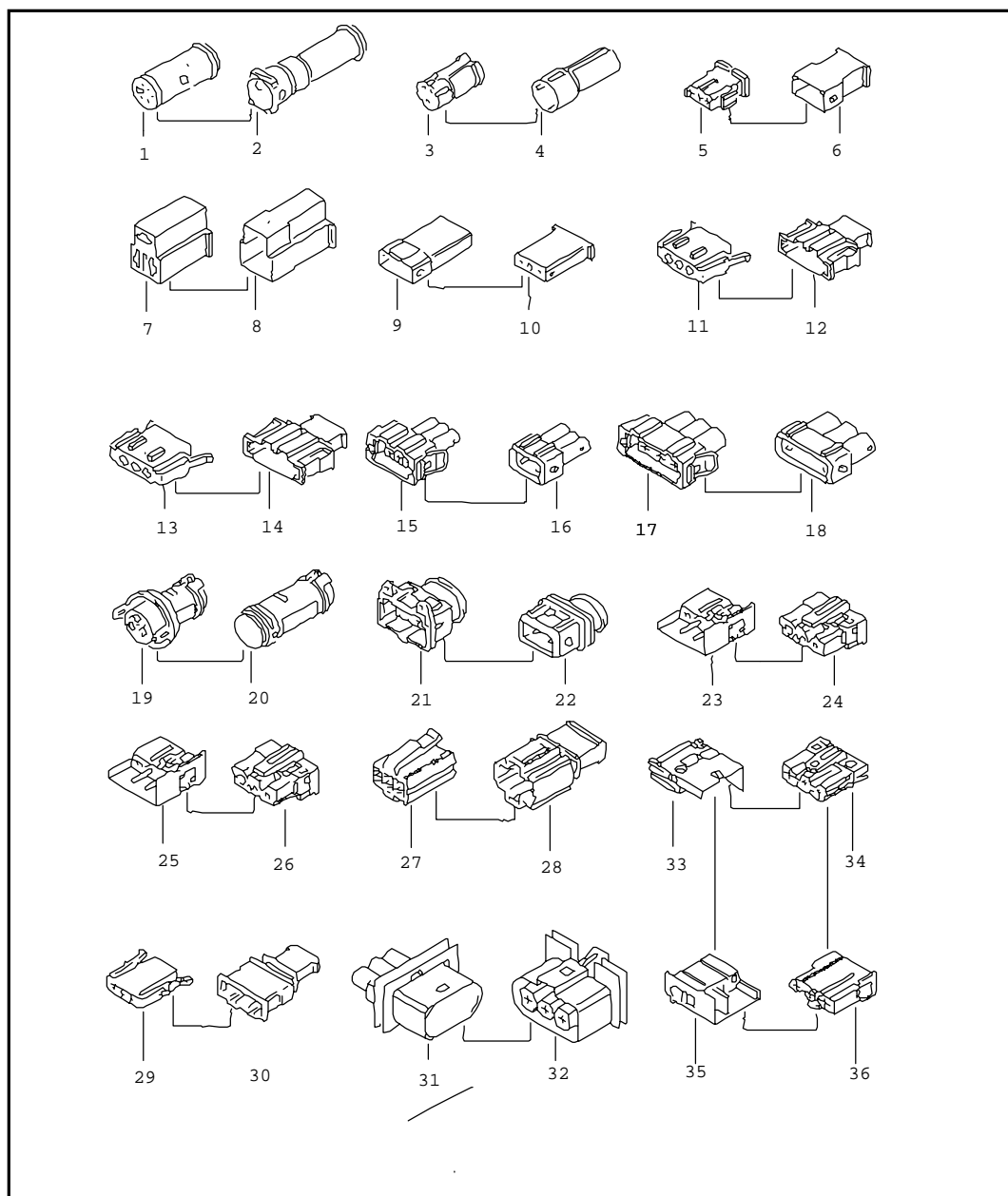
Pos	Part Number	Name	Remarks	Qty	Model		
1	4A0 971 633	connector housing	3 pin				
		rd. connector sleeve housing		X			
		for single wiring:	000 979 117 000 979 213	X X	1,0 2,5		
2	7M0 906 233 C	flat contact housing	3 pin	1			
3	1H0 973 203	flat contact housing		X			
		for single wiring:	000 979 133 000 979 133 A 000 979 217 000 979 406	X X X X	1,0 1,0 2,5 6,0		
		4	701 937 541	cable connector	3 point	X	
		5	1E0 941 165	flat contact housing	3 pin	1	
				for single wiring:	000 979 126 000 979 217	X X	1,0 2,5
6	4D0 906 232			flat contact housing	3 pin	1	
for single wiring:		000 979 135 000 979 227	X X	1,0 2,5			
7		3A0 972 703 H	flat contact housing	3 pin	X		
		for single wiring:	000 979 131	X	1,0		
8	357 972 754 H	flat contact housing		X			
		for single wiring:	000 979 133 000 979 133 A 000 979 217	X X X	1,0 1,0 2,5		
		9	1H0 973 204 A	flat contact housing	3 pin	X	
for single wiring:	000 979 135 000 979 227 000 979 406 000 979 407	X X X X		1,0 2,5 6,0 6,0			
10	4D0 971 989	terminal pin housing		3 pin	X		
		for single wiring:		000 979 002	X	0,5	
11	8D0 971 701	terminal pin housing		3 pin grey	X		
		for single wiring:	000 979 105	X	1,0		
12	1H0 971 701	terminal pin housing	3 pin green	X			
		for single wiring:	000 979 105	X	1,0		
13	1J0 973 703	flat contact housing with helper contact catch	3 pin	1			
		for single wiring:	000 979 131 000 979 131 A	X X	1,0 1,0		
		14	357 973 119	flat contact housing	3 pin	1	
		for single wiring:	000 979 002	X	0,5		

Model	Year	MG	SG	Illustration	VIN No.	Update	14:38	18.02.20100		ETKA	
EL	90	9	71	970-31		336					



Pos	Part Number	Name	Remarks	Qty	Model	Pos	Part Number	Name	Remarks	Qty	Model
15	1J0 937 773	flat contact housing for single wiring:	3 pin 000 979 135 000 979 227 000 979 306 000 979 407	1 X 1,0 X 2,5 X 4,0 X 6,0							
16	4B0 971 993	flat connector housing for single wiring:	3 pin 000 979 134 000 979 134 A 000 979 226 000 979 226 A	1 X 1,0 X 1,0 X 2,5 X 2,5							
17	1J0 972 483 A	terminal pin housing for single wiring:	3 pin 000 979 009	1 X 0,5							
18	1J0 973 117 D	flat contact housing for single wiring:	3 pin 000 979 003 A	1 X 0,5							
19	191 972 713	flat connector housing	3 pin	1							
20	2D0 971 989 CE	flat connector housing	3 pin	1							
21	1J0 973 115	flat contact housing for single wiring:	3 pin 000 979 003A	X X 0,5							
22	1J0 973 723	flat contact housing for single wiring:	3 pin black 000 979 133 000 979 133 A 000 979 133 AB 000 979 225 000 979 225 A	1 X 1,0 X 1,0 X 1,0 X 2,5 X 2,5							
23	1J0 973 723 G	flat contact housing for single wiring:	3 pin grey 000 979 133 000 979 133 A 000 979 133 AB 000 979 225 000 979 225 A	1 X 1,0 X 1,0 X 1,0 X 2,5 X 2,5							
24	2D0 971 989 CT	flat contact housing connecting piece micro switch selector lever for contact:	3 pin 2D0 972 982 A	1							
25	2D0 971 989 S	flat contact housing	3 pin	1							
-	8D0 971 969	round connector housing airbag for single wiring:	3 pin orange 000 979 015 A	X X							

Model	Year	MG	SG	Illustration	VIN No.	Update					ETKA	
EL	90	9	71	970-32		336	14:59	18.02.20100				



Pos	Part Number	Name	Remarks	Qty	Model
-	8N0 971 955	connector housing flat contact housing for single wiring:	3 pin 3 pin 000 979 141	X X	





Pos	Part Number	Name	Remarks	Qty	Model
1	171 906 232 A	connector housing	3 pin		
		rd. connector sleeve housing		X	
		for single wiring:	000 979 108	X	1,0
			000 979 208	X	2,5
2	171 906 234 A	round connector housing		X	
		for single wiring:	000 979 109	X	1,0
			000 979 209	X	2,5
3	113 919 111	rd. connector sleeve housing		X	
		for single wiring:	000 979 108	X	1,0
			000 979 208	X	2,5
4	113 919 113	round connector housing		X	
		for single wiring:	000 979 109	X	1,0
			000 979 209	X	2,5
5	893 971 633	flat contact housing		X	
		for single wiring:	000 979 133	X	1,0
			000 979 133 A	X	1,0
			000 979 217	X	2,5
6	893 971 993	flat connector housing		X	
		for single wiring:	000 979 103	X	1,0
7	161 971 970	terminal pin housing		X	
		for single wiring:	000 979 107	X	1,0
			000 979 204	X	2,5
			000 979 402	X	6,0
8	161 971 975	flat connector housing		X	
		for single wiring:	000 979 104	X	1,0
			000 979 203	X	2,5
			000 979 409	X	6,0
9	171 971 998 B	round connector housing		X	
		for single wiring:	000 979 109	X	1,0
			000 979 209	X	2,5
10	171 971 999 B	rd. connector sleeve housing		X	
		for single wiring:	000 979 108	X	1,0
			000 979 208	X	2,5
11	1J0 972 703	flat contact housing	3 pin	1	
		for single wiring:	000 979 133	X	1,0
			000 979 133 A	X	1,0
			000 979 133 AB	X	1,0
			000 979 225	X	2,5
			000 979 225A	X	2,5
12	191 972 713	flat connector housing		X	
		for single wiring:	000 979 129	X	1,0
			000 979 219	X	2,5

Model	Year	MG	SG	Illustration	VIN No.	Update	14:39	18.02.20100		ETKA	
EL	90	9	71	970-40		336					



Pos	Part Number	Name	Remarks	Qty	Model	Pos	Part Number	Name	Remarks	Qty	Model
13	1J0 972 753	flat contact housing for single wiring:	3 pin 000 979 135 000 979 227 000 979 306 000 979 407	1 X X X X	1,0 2,5 4,0 6,0	21	443 906 233	flat contact housing for single wiring:	000 979 133 000 979 133 A 000 979 217	X X X	1,0 1,0 2,5
14	191 972 763	flat contact housing for single wiring:	000 979 130 000 979 219 000 979 302	X X X	1,0 2,5 4,0	22	443 906 247	flat connector housing for single wiring:	000 979 129 000 979 219	X X	1,0 2,5
15	357 972 753	flat contact housing for single wiring:	000 979 133 000 979 133 A 000 979 217	X X X	1,0 1,0 2,5	23	4A0 972 241	round connector housing for single wiring:	black/pink 000 979 118 000 979 119 000 979 215 000 979 216	X X X X X	1,0 1,0 2,5 2,5
(15)	1J0 973 703	flat contact housing with helper contact catch for single wiring:	3 pin black 000 979 131 000 979 131 A	1 X X		24	4A0 972 242	rd. connector sleeve housing for single wiring:	black/pink 000 979 117 000 979 120 000 979 213 000 979 214	X X X X X	1,0 1,0 2,5 2,5
(16)	1J0 973 803	flat contact housing with helper contact catch for single wiring:	3 pin black 000 979 132 000 979 132 A	1 X X		25	4A0 972 243	round connector housing for single wiring:	black/blue 000 979 118 000 979 119 000 979 215 000 979 216	X X X X X	1,0 1,0 2,5 2,5
16	357 972 763	flat connector housing for single wiring:	000 979 129 000 979 219	X X	1,0 2,5	26	4A0 972 244	rd. connector sleeve housing for single wiring:	black/blue 000 979 117 000 979 120 000 979 213 000 979 214	X X X X X	1,0 1,0 2,5 2,5
17	1H0 906 233	flat contact housing for single wiring:	3 pin 000 979 135 000 979 217 000 979 227 000 979 407	1 X X X X	1,0 2,5 2,5 6,0	27	191 919 321	flat contact housing for single wiring:	000 979 135 000 979 227 000 979 407	X X X	1,0 2,5 6,0
18	357 972 783	flat connector housing for single wiring:	000 979 130 000 979 219 000 979 302	X X X	1,0 2,5 4,0	28	357 919 321	flat contact housing for single wiring:	3 pin 000 979 130 000 979 219	1 X X	1,0 2,5
19	813 972 927	flat contact housing with helper contact catch and grommet for single wiring:	000 979 135 000 979 227 000 979 407	X X X	1,0 2,5 6,0	29	3B0 972 703	flat contact housing with helper contact catch for single wiring:	3 pin 000 979 131 000 979 131 A GEGENSTUECK: 3B0 972 713	1 X X X	1,0 1,0
20	813 972 928	flat contact housing with helper contact catch and grommet for single wiring:	000 979 104 000 979 203 000 979 409	X X X	1,0 2,5 6,0	(29)	535 972 703	flat contact housing for single wiring:	000 979 131 000 979 131 A	X X	1,0 1,0
						30	535 972 713	flat contact housing for single wiring:	3 pin 000 979 132	1 X	1,0

Model	Year	MG	SG	Illustration	VIN No.	Update	14:39	18.02.20100		ETKA	
EL	90	9	71	970-40		336					

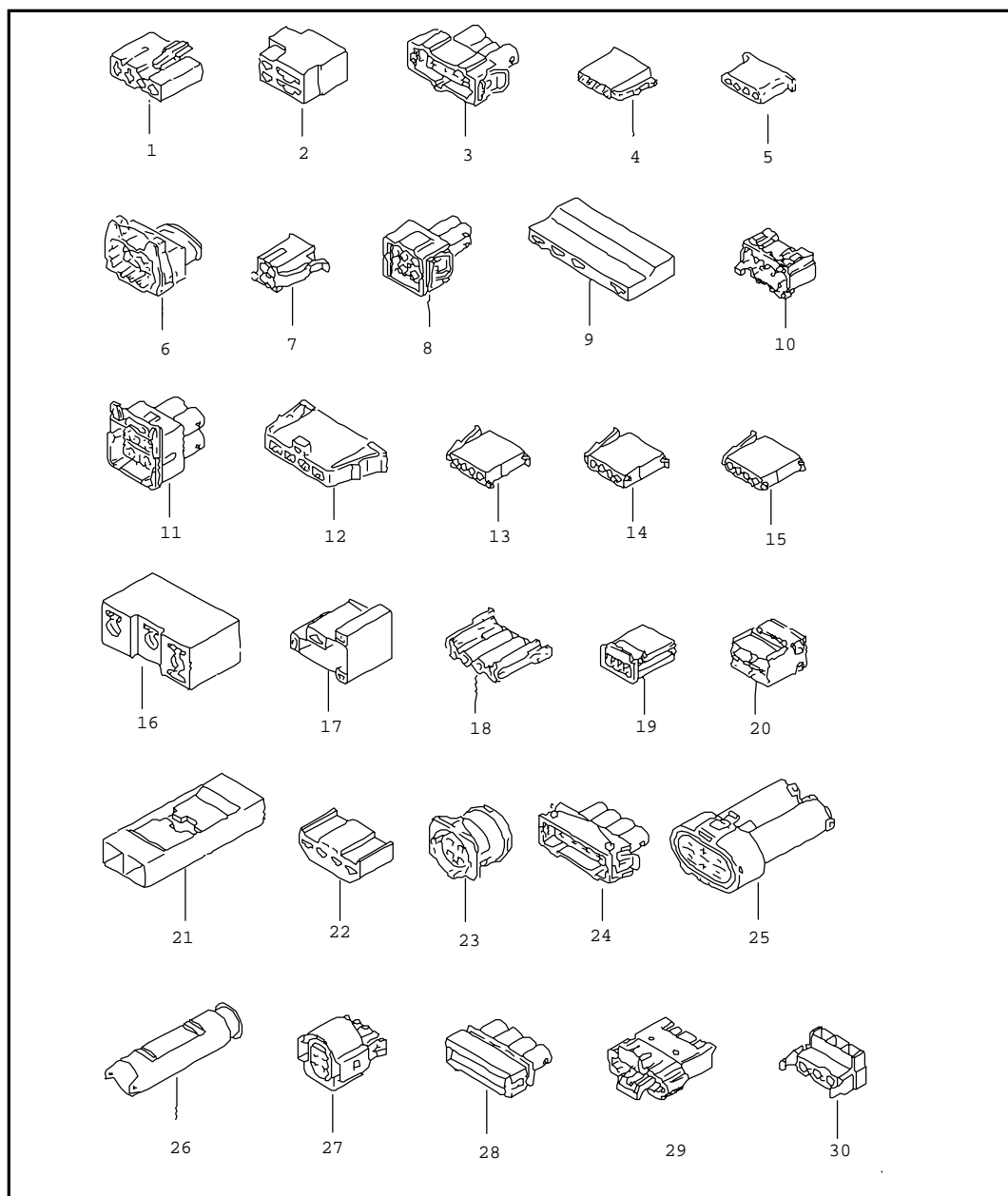
Pos	Part Number	Name	Remarks	Qty	Model	Pos	Part Number	Name	Remarks	Qty	Model
31	1J0 906 233	flat contact housing	3 pin	1		(33)	1J0 937 723 B	flat contact housing with	3 pin	X	
		for contact:	000 979 131	X	1,0			helper contact catch	red		
			000 979 227	X				to be used for:	white		
32	1J0 906 443	flat contact housing	3 pin	1					khaki grey		
		for single wiring:	000 979 228	X	2,5			BEI BEDARF MITVERWENDEN:	1J0 937 724 B		
			000 979 307	X	4,0			FUER EINZELLEITUNG:	000 979 134	X	1,0
33	1J0 937 723	flat contact housing with	3 pin	X					000 979 134 A	X	1,0
		helper contact catch	black						000 979 136	X	1,0
		to be used for:	green						000 979 226	X	2,5
			violet						000 979 226 A	X	2,5
		as required use:	1J0 937 724						000 979 228	X	2,5
		for single wiring:	000 979 134	X	1,0				000 979 307	X	4,0
			000 979 134 A	X	1,0						
			000 979 136	X	1,0						
			000 979 226	X	2,5						
			000 979 226 A	X	2,5	(33)	1J0 937 723 D	flat contact housing with	3 pin	X	
			000 979 228	X	2,5			helper contact catch	blue		
			000 979 307	X	4,0			to be used for:	dark brown		
									light pink		
									orange		
(33)	1J0 937 723 A	flat contact housing with	3 pin	X				BEI BEDARF MITVERWENDEN:	1J0 937 724 D		
		helper contact catch	brown					FUER EINZELLEITUNG:	000 979 134	X	1,0
		to be used for:	grey						000 979 134 A	X	1,0
			light green						000 979 136	X	1,0
		as required use:	1J0 937 724 A						000 979 226	X	2,5
		for single wiring:	000 979 134	X	1,0				000 979 226 A	X	2,5
			000 979 134 A	X	1,0				000 979 228	X	2,5
			000 979 136	X	1,0				000 979 307	X	4,0
			000 979 226	X	2,5						
			000 979 226 A	X	2,5						
			000 979 228	X	2,5	34	1J0 937 713	flat contact housing with	3 pin	1	
			000 979 307	X	4,0			helper contact catch	black		
								to be used for:	green		

Model	Year	MG	SG	Illustration	VIN No.	Update	14:39	18.02.20100		ETKA	
EL	90	9	71	970-40		336					



Pos	Part Number	Name	Remarks	Qty	Model	Pos	Part Number	Name	Remarks	Qty	Model
			violet						000 979 135	X	1,0
		as required use:	1J0 937 714	1					000 979 225	X	2,5
		for single wiring:	000 979 133	X	1,0				000 979 225 A	X	2,5
			000 979 133 A	X	1,0				000 979 227	X	2,5
			000 979 135	X	1,0				000 979 306	X	4,0
			000 979 225	X	2,5	(34)	1J0 937 713 D	flat contact housing with	3 pin	1	
			000 979 225 A	X	2,5			helper contact catch	blue		
			000 979 227	X	2,5			to be used for:	dark brown		
			000 979 306	X	4,0				light pink		
(34)	1J0 937 713 A	flat contact housing with	3 pin	1					orange		
		helper contact catch	brown					as required use:	1J0 937 714 D	1	
		to be used for:	grey					for single wiring:	000 979 133	X	1,0
			light green						000 979 133 A	X	1,0
		as required use:	1J0 937 714 A	1					000 979 135	X	1,0
		for single wiring:	000 979 133	X	1,0				000 979 225	X	2,5
			000 979 133 A	X	1,0				000 979 225 A	X	2,5
			000 979 135	X	1,0				000 979 227	X	2,5
			000 979 225	X	2,5				000 979 306	X	4,0
			000 979 225 A	X	2,5	35	1J0 937 724	flat contact housing with	3 pin	X	
			000 979 227	X	2,5			helper contact catch	black		
			000 979 306	X	4,0			to be used for:	green		
(34)	1J0 937 713 B	flat contact housing with	3 pin	X					violet		
		helper contact catch	red					as required use:	1J0 937 723		
		to be used for:	white					for single wiring:	000 979 134	X	1,0
			khaki grey						000 979 134 A	X	1,0
		as required use:	1J0 937 714 B	1					000 979 136	X	1,0
		FUER EINZELLEITUNG:	000 979 133	X	1,0				000 979 226	X	2,5
			000 979 133 A	X	1,0				000 979 226 A	X	2,5

Model	Year	MG	SG	Illustration	VIN No.	Update	14:39	18.02.20100		ETKA	
EL	90	9	71	970-40		336					



Pos	Part Number	Name	Remarks	Qty	Model	Pos	Part Number	Name	Remarks	Qty	Model
		for single wiring:	000 979 133	X	1,0				000 979 225	X	2,5
			000 979 133 A	X	1,0				000 979 225 A	X	2,5
			000 979 135	X	1,0				000 979 227	X	2,5
			000 979 225	X	2,5				000 979 306	X	4,0
			000 979 225 A	X	2,5						
			000 979 227	X	2,5						
			000 979 306	X	4,0						
(36)	1J0 937 714 B	flat contact housing with helper contact catch	3 pin red	X							
		to be used for:	white khaki grey								
		as required use:	1J0 937 713 B	1							
		for single wiring:	000 979 133	X	1,0						
			000 979 133 A	X	1,0						
			000 979 135	X	1,0						
			000 979 225	X	2,5						
			000 979 225 A	X	2,5						
			000 979 227	X	2,5						
			000 979 306	X	4,0						
(36)	1J0 937 714 D	flat contact housing with helper contact catch	3 pin blue	1							
		to be used for:	dark brown light pink orange								
		as required use:	1J0 937 713 D	1							
		for single wiring:	000 979 133	X	1,0						
			000 979 133 A	X	1,0						
			000 979 135	X	1,0						

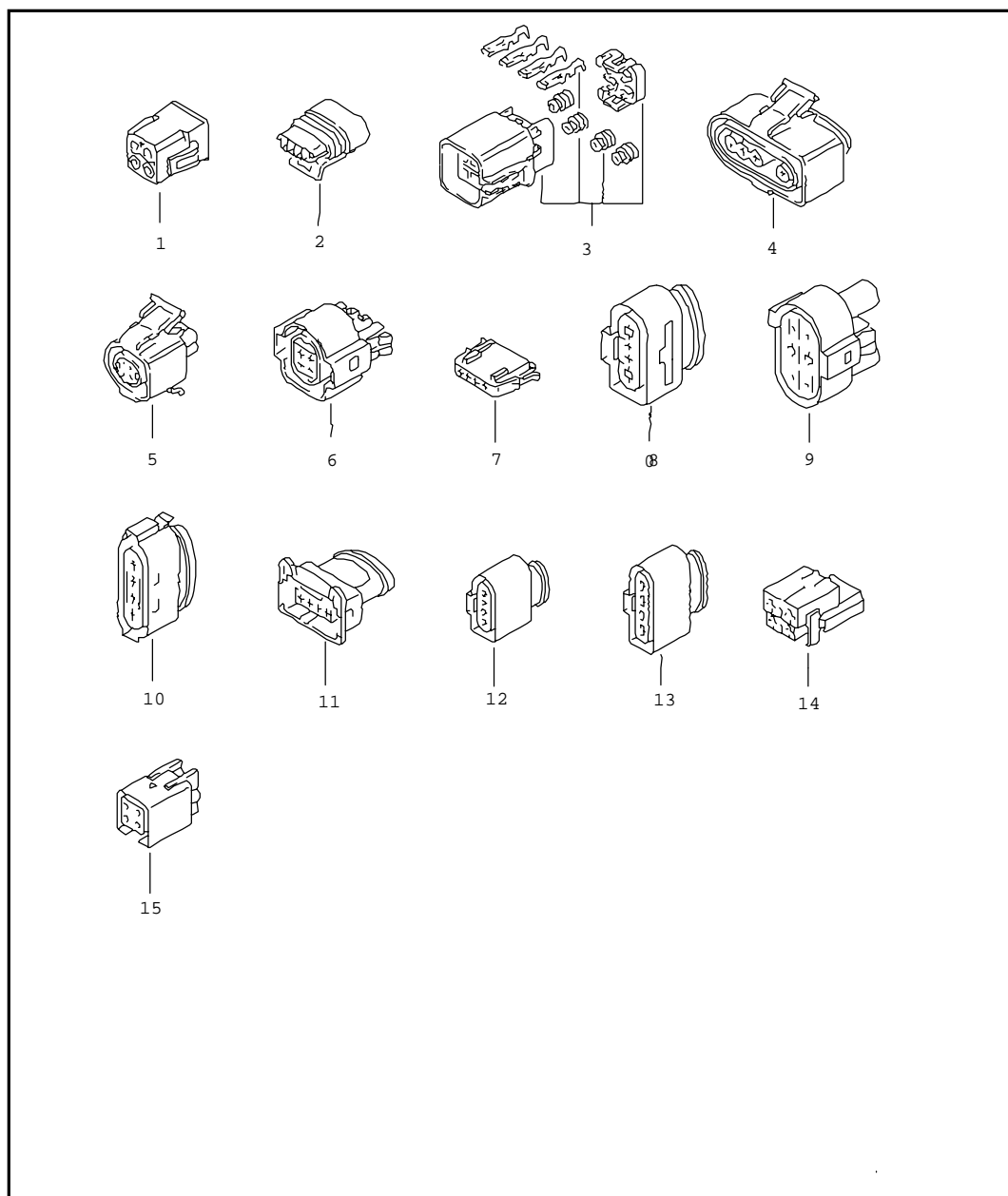


Pos	Part Number	Name	Remarks	Qty	Model		
1	171 035 447 B	connector housing	4 pin				
		flat contact housing		X			
		for single wiring:	000 979 133	X	1,0		
			000 979 133 A	X	1,0		
			000 979 135	X	1,0		
			000 979 217	X	2,5		
			000 979 227	X	2,5		
2	823 905 897	terminal pin housing		X			
		for single wiring:	000 979 207	X	2,5		
			000 979 304	X	4,0		
		3	357 906 231	flat contact housing		X	
				for single wiring:	000 979 133	X	1,0
					000 979 133 A	X	1,0
					000 979 135	X	1,0
	000 979 217			X	2,5		
4	191 906 231 C	flat contact housing		X			
		for single wiring:	000 979 133	X	1,0		
			000 979 133 A	X	1,0		
			000 979 217	X	2,5		
		5	311 906 231 C	terminal pin housing		X	
				for single wiring:	000 979 105	X	1,0
				6	4A0 906 234	flat contact housing	
for single wiring:	000 979 133	X	1,0				
	000 979 133 A	X	1,0				
	000 979 217	X	2,5				
7	357 907 968	terminal pin housing		X			
		for single wiring:	000 979 133	X	1,0		
			000 979 133 A	X	1,0		
	000 979 217	X	2,5				
8	357 919 754	flat contact housing		X			
		for single wiring:	000 979 133	X	1,0		
			000 979 133 A	X	1,0		
			000 979 217	X	2,5		
9	867 919 993	terminal pin housing		X			
		for single wiring:	000 979 107	X	1,0		
			000 979 204	X	2,5		
	000 979 402	X	6,0				
10	357 937 517	junction box		X			
11	357 941 165	flat contact housing		X			
		for single wiring:	000 979 135	X	1,0		
			000 979 227	X	2,5		
			000 979 407	X	6,0		



Model	Year	MG	SG	Illustration	VIN No.	Update	14:41	18.02.20100		ETKA	
EL	90	9	71	970-50		336					

Pos	Part Number	Name	Remarks	Qty	Model	Pos	Part Number	Name	Remarks	Qty	Model
12	321 945 249	flat contact housing for single wiring:	000 979 135 000 979 227 000 979 407	X X X	1,0 2,5 6,0	24	357 972 774	flat contact housing for single wiring:	000 979 135 000 979 227 000 979 407	X X X	1,0 2,5 6,0
13	1H0 953 633 A	flat contact housing for single wiring:	000 979 133 000 979 133 A 000 979 217	X X X	1,0 1,0 2,5	25	1H0 973 204	flat contact housing for single wiring:	000 979 135 000 979 227 000 979 406 000 979 407	X X X X	1,0 2,5 6,0 6,0
14	1H0 953 634	flat contact housing for single wiring:	000 979 133 000 979 133 A 000 979 217	X X X	1,0 1,0 2,5	26	2D0 971 989 CF	flat contact housing connecting piece lambda probe for single wiring:	000 979 139	X	1,0
15	1H0 953 634 A	flat contact housing for single wiring:	000 979 133 000 979 133 A 000 979 217	X X X	1,0 1,0 2,5	27	1H0 973 734	flat contact housing for single wiring:	000 979 133 000 979 133 A 000 979 217	X X X X	1,0 1,0 2,5
16	251 963 253	terminal pin housing for single wiring:	000 979 107 000 979 204 000 979 402	X X X	1,0 2,5 6,0	27	1H0 973 734	flat contact housing for single wiring:	000 979 133 000 979 133 A 000 979 217	X X X X	1,0 1,0 2,5
17	321 971 837	terminal pin housing for single wiring:	000 979 106 000 979 107 000 979 204 000 979 402	X X X X	1,0 1,0 2,5 6,0	28	357 972 784	flat connector housing for single wiring:	000 979 130 000 979 219	X X X	1,0 2,5
18	171 971 997	rd. connector sleeve housing for single wiring:	000 979 108 000 979 110 000 979 208 000 979 211 000 979 305	X X X X X	1,0 1,0 2,5 2,5 4,0	29	443 971 969 A	flat connector housing for single wiring:	4 pin 000 979 204 000 979 402	X X X	2,5 6,0
19	861 971 998 A	spring contact housing for single wiring:	000 979 102	X X	1,0	30	2D0 971 989 CE	flat connector housing for contact:	3 pin 2D0 972 982 F	1 X	
20	447 972 957	terminal pin housing for single wiring:	000 979 106 000 979 212 000 979 405	X X X X	1,0 2,5 6,0						
21	893 971 827	cable connector		X							
22	--- --- ---	no longer available									
23	4A0 971 966	rd. connector sleeve housing for single wiring:	000 979 117 000 979 120 000 979 213 000 979 214	X X X X	1,0 1,0 2,5 2,5						



Model	Year	MG	SG	Illustration	VIN No.	Update	14:42	18.02.20100		ETKA	
EL	90	9	71	970-51		336					

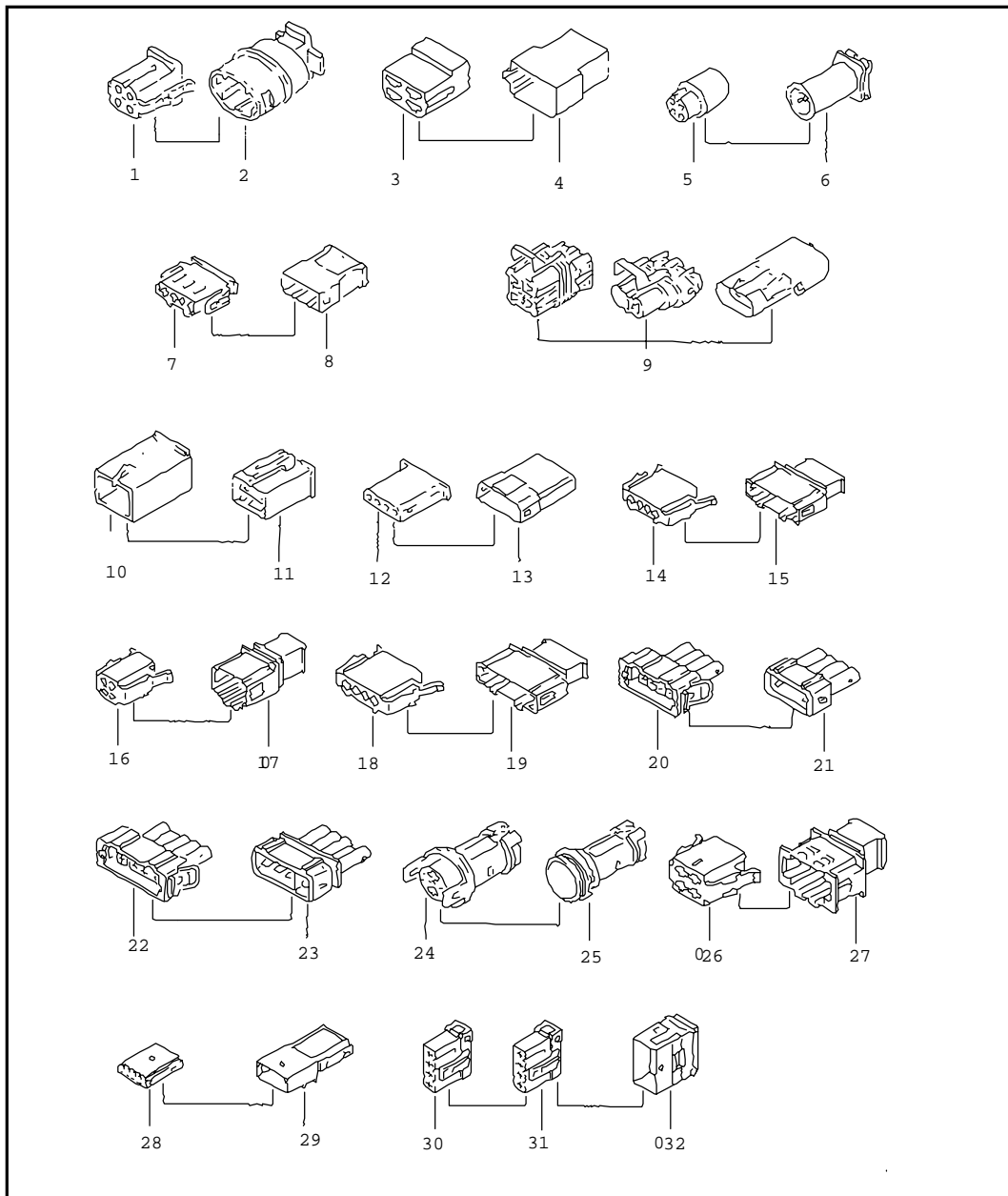


Pos	Part Number	Name	Remarks	Qty	Model
1	4A0 971 943	connector housing	4 pin	1	
		rd. connector sleeve housing	4 pin	X 1,0	
		for single wiring:	000 979 117 000 979 213	X 2,5	
2	8A0 971 974 A	1 set of connectors connecting piece motor for adjustment idling stabilisation	4 pin	1	
3	4A0 972 929	1 set of connectors (catalyst-control)	4 pin	1	"J.."
4	3A0 973 204	flat contact housing connecting piece lambda probe	4 pin black II left	1	
		for single wiring:	000 979 126 000 979 126A	X 1,0 X 1,0	
5	3A0 973 712	flat contact housing for single wiring:	4 pin 000 979 131 000 979 131 A	X X 1,0 X 1,0	
6	1H0 973 734 A	flat contact housing for single wiring:	4 pin 000 979 133 000 979 133 A 000 979 217	1 X 1,0 X 1,0 X 2,5	
7	535 972 704	flat contact housing for single wiring:	4 pin 000 979 219	1 X 1,0	
8	1J0 919 231	flat contact housing	4 pin	X	
		connecting piece			
		fuel gauge sender			
		for single wiring:	000 979 133 000 979 135 000 979 225 000 979 227 000 979 306 000 979 407	X 1,0 X 1,0 X 2,5 X 2,5 X 4,0 X 6,0	
9	1J0 906 234	flat contact housing for single wiring:	4 pin 000 979 227 000 979 412	1 X 2,5 X 6,0	



Model	Year	MG	SG	Illustration	VIN No.	Update	14:42	18.02.20100		ETKA	
EL	90	9	71	970-51		336					

Pos	Part Number	Name	Remarks	Qty	Model	Pos	Part Number	Name	Remarks	Qty	Model
10	6N0 937 774	flat contact housing for single wiring:	4 pin 000 979 135 000 979 227	1 X X	1,0 2,5						
11	1H0 973 704	flat contact housing for single wiring:	4 pin 000 979 126	1 X	1,0						
12	1J0 973 704	flat contact housing with helper contact catch for single wiring:	4 pin 000 979 131 000 979 131 A	1 X X	1,0 1,0						
13	1J0 973 724 A	flat contact housing for single wiring:	4 pin brown 000 979 133 000 979 133 A 000 979 225 000 979 225 A	1 X X X X	1,0 1,0 2,5 2,5						
(13)	4B0 973 724	flat contact housing with helper contact catch for single wiring:	4 pin black 000 979 016 000 979 141 000 979 237	1 X X X	0,5 1,0 2,5						
14	3B0 959 743	flat contact housing with helper contact catch for single wiring:	4 pin black 000 979 225 000 979 225 A	X X X	2,5 2,5						
15	7M0 906 234 D	rd. connector sleeve housing for single wiring:	4 pin 000 979 148 000 979 240	1 X X							



Model	Year	MG	SG	Illustration	VIN No.	Update	14:42	18.02.20100		ETKA	
EL	90	9	71	970-60		336					





Pos	Part Number	Name	Remarks	Qty	Model
1	191 905 897	connector housing rd. connector sleeve housing for single wiring:	4 pin 000 979 110 000 979 211 000 979 305	X X X X	1,0 2,5 4,0
2	191 905 899	round connector housing for single wiring:	000 979 111 000 979 210 000 979 304	X X X X	1,0 2,5 4,0
(3)	803 905 897	terminal pin housing for single wiring:	000 979 107 000 979 204 000 979 402	X X X X	1,0 2,5 6,0
(3)	2D0 971 989 CK	flat contact housing connecting piece for additional heater for single wiring:	4 pin 000 979 107 000 979 204 000 979 402	1 X X X	1,0 2,5 6,0
3	ZAB 971 838	terminal pin housing for single wiring:	4 pin 000 979 107 000 979 204 000 979 402	1 X X X	1,0 2,5 6,0
4	803 905 899	flat connector housing for single wiring:	000 979 104 000 979 203 000 979 409	X X X X	1,0 2,5 6,0
5	411 963 253	rd. connector sleeve housing for single wiring:	000 979 108 000 979 208	X X X	1,0 2,5
6	411 963 025 A	round connector housing for single wiring:	000 979 109 000 979 209	X X X	1,0 2,5
7	893 971 634	flat contact housing for single wiring:	000 979 133 000 979 133 A 000 979 217	X X X X	1,0 1,0 2,5
8	893 971 994	flat connector housing for single wiring:	000 979 103	X X	1,0
(8)	4B0 971 994	flat connector housing for single wiring:	4 pin 000 979 134 000 979 134 A 000 979 226 000 979 226 A	1 X X X X	1,0 1,0 2,5 2,5

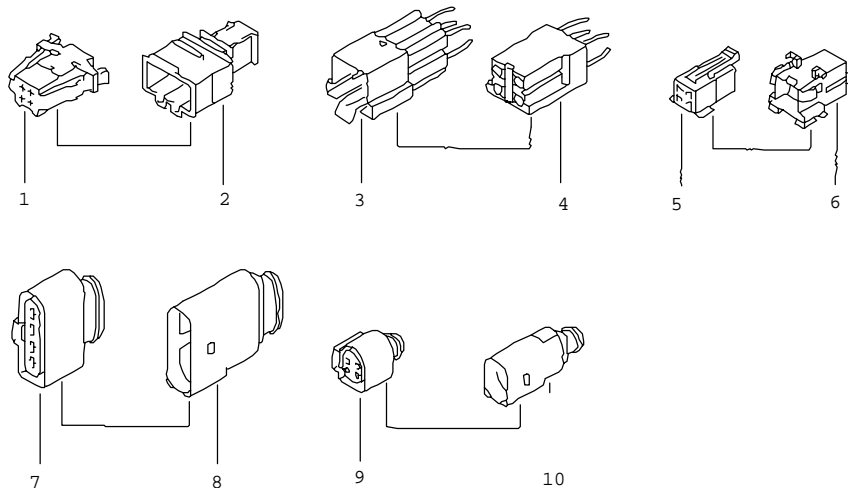
Model	Year	MG	SG	Illustration	VIN No.	Update	14:42	18.02.20100		ETKA	
EL	90	9	71	970-60		336					

Pos	Part Number	Name	Remarks	Qty	Model	Pos	Part Number	Name	Remarks	Qty	Model
9	443 971 973 A	1 set of connectors		X	air condit.	20	357 972 754	flat contact housing for single wiring:	000 979 133 000 979 133 A 000 979 217	X X X	1,0 1,0 2,5
10	443 971 969	flat connector housing for single wiring:	000 979 104 000 979 203 000 979 409	X X X	1,0 2,5 6,0	(20)	357 972 754 H	flat contact housing for single wiring:	3 pin 000 979 126 000 979 217	1 X X	1,0 2,5
11	893 971 974	flat contact housing for single wiring:	000 979 135 000 979 227 000 979 407	X X X	1,0 2,5 6,0	21	357 972 764	flat connector housing for single wiring:	000 979 129 000 979 219	X X	1,0 2,5
12	171 971 999 C	rd. connector sleeve housing for single wiring:	000 979 108 000 979 208	X X	1,0 2,5	22	357 972 754 J	flat contact housing for single wiring:	000 979 133 000 979 133 A 000 979 217	X X X	1,0 1,0 2,5
13	171 971 998 C	round connector housing for single wiring:	000 979 109 000 979 209	X X	1,0 2,5	23	357 972 764 K	flat connector housing for single wiring:	000 979 129 000 979 219	X X	1,0 2,5
14	1J0 972 704	flat contact housing for single wiring:	4 pin 000 979 133 000 979 133 A 000 979 225 000 979 225 A	1 X X X X	1,0 1,0 2,5 2,5	24	813 972 929	flat contact housing with helper contact catch and grommet for single wiring:	000 979 135 000 979 227 000 979 407	X X X	1,0 2,5 6,0
15	191 972 714	flat connector housing for single wiring:	000 979 129 000 979 219	X X	1,0 2,5	25	813 972 930	flat contact housing with helper contact catch and grommet for single wiring:	000 979 104 000 979 203 000 979 409	X X X	1,0 2,5 6,0
16	1J0 972 722	terminal pin housing for single wiring:	4 pin 000 979 133 000 979 133 A 000 979 225 000 979 225 A	1 X X X X	1,0 1,0 2,5 2,5	26	1J0 972 772	flat contact housing for single wiring:	4 pin 000 979 135 000 979 227	1 3 1	1,0 1,0 2,5
17	1J0 972 732	terminal pin housing for single wiring:	4 pin 000 979 134 000 979 134 A 000 979 226 000 979 226 A GEGENSTUECK: 1J0 972 722	1 X X X X	1,0 1,0 2,5 2,5	(26)	191 972 772	flat contact housing for single wiring:	000 979 135 000 979 227 000 979 407	X X X	1,0 2,5 6,0
(17)	191 972 732	terminal pin housing for single wiring:	000 979 129 000 979 219	X X	1,0 2,5	27	1J0 972 782	flat contact housing for single wiring:	4 pin 000 979 136 000 979 228	1 X X	1,0 1,0 2,5
18	1J0 972 754	flat contact housing for single wiring:	4 pin 000 979 135 000 979 227	1 3 1	1,0 1,0 2,5	(27)	191 972 782	flat contact housing for single wiring:	000 979 130 000 979 219 000 979 302	X X X	1,0 2,5 4,0
19		not a spare part		X		28	4D0 972 623	rd. connector sleeve housing for single wiring:	4 pin 000 979 003 A	1 X	0,5



Model	Year	MG	SG	Illustration	VIN No.	Update	14:42	18.02.20100		ETKA	
EL	90	9	71	970-60		336					

Pos	Part Number	Name	Remarks	Qty	Model	Pos	Part Number	Name	Remarks	Qty	Model
29	4D0 972 643	round connector housing with contact lock	4 pin	1							
30	3B0 937 713	flat contact housing with helper contact catch	4 pin black	1							
		as required use:	3B0 937 714	1							
		for single wiring:	000 979 131	X 1,0							
			000 979 133	X 1,0							
			000 979 133 A	X 1,0							
(30)	3B0 937 713 A	flat contact housing with helper contact catch	4 pin brown	1							
		as required use:	3B0 937 714 A	1							
		for single wiring:	000 979 131	X 1,0							
			000 979 133	X 1,0							
			000 979 133 A	X 1,0							
31	3B0 937 714	flat contact housing with helper contact catch	4 pin black	1							
		as required use:	3B0 937 713	1							
		for single wiring:	000 979 131	X 1,0							
			000 979 133	X 1,0							
			000 979 133 A	X 1,0							
(31)	3B0 937 714 A	flat contact housing with helper contact catch	4 pin brown	1							
		as required use:	3B0 937 713 A	1							
		for single wiring:	000 979 131	X 1,0							
			000 979 133	X 1,0							
			000 979 133 A	X 1,0							
32	3B0 937 741	flat connector housing with additional contact catch	8 pin black	1							
		for single wiring:	000 979 134	X 1,0							
			000 979 134 A	X 1,0							
			000 979 136	X 1,0							
			000 979 216	X 2,5							
			000 979 228	X 2,5							

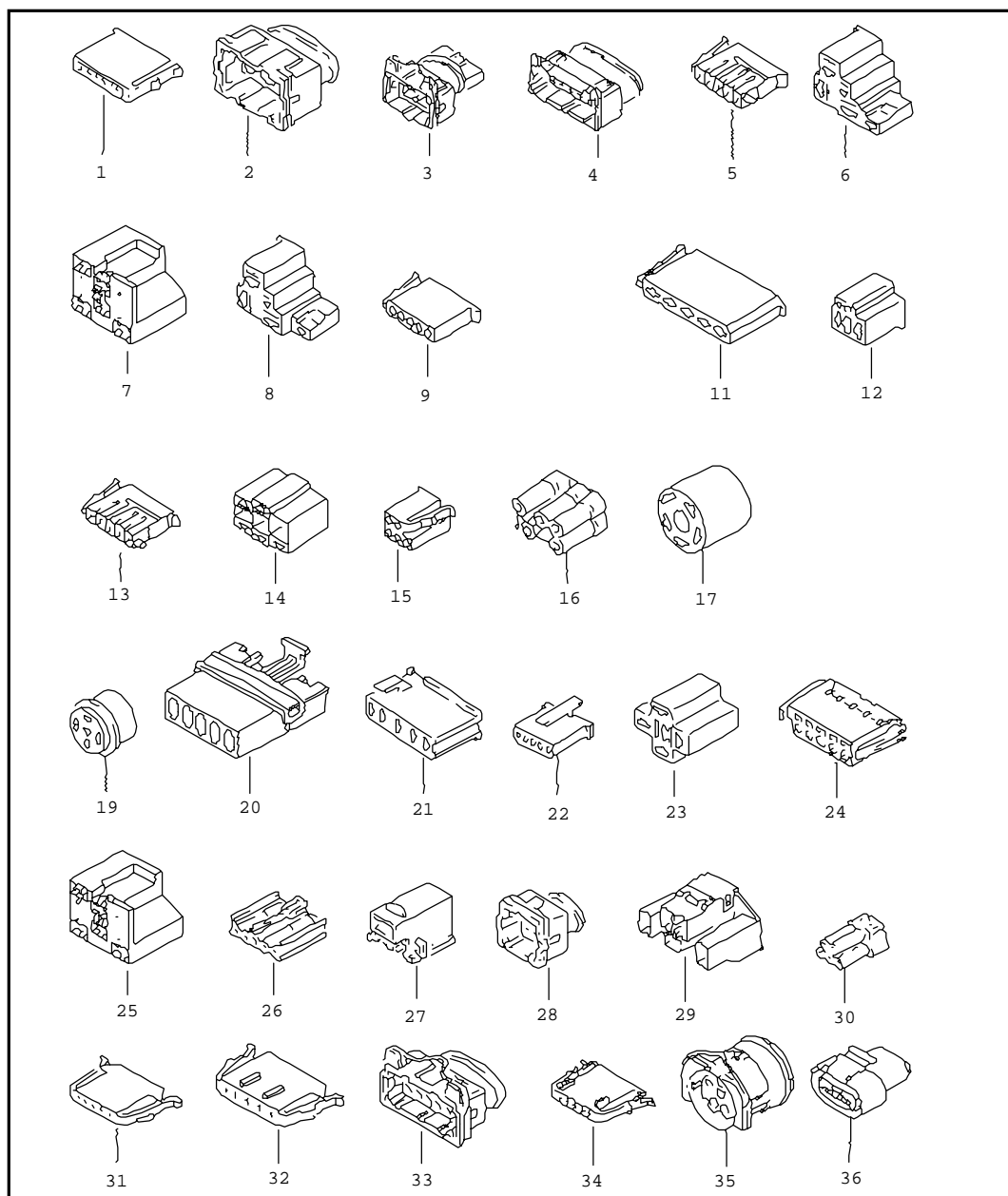
Model	Year	MG	SG	Illustration	VIN No.	Update	14:42	18.02.20100		ETKA	
EL	90	9	71	970-61		336					





Pos	Part Number	Name	Remarks	Qty	Model
1	3B0 972 722	connector housing	4 pin	1	
		terminal pin housing	4 pin	X 1,0	
		for single wiring:	000 979 131 000 979 131 A	X 1,0	
(1)	535 972 722	flat contact housing	4 pin	1	
		for single wiring:	000 979 131 000 979 131 A	X 1,0 X 1,0	
2	3B0 972 732	flat contact housing	4 pin	1	
		for contact:	000 979 132 000 979 132 A	X 1,0 X 1,0	
(2)	535 972 732	flat contact housing	4 pin	1	
		for single wiring:	000 979 132 000 979 132 A	X 1,0 X 1,0	
3	2TA 973 104	round connector housing	4 pin	1	L 80
4	2TA 973 114	rd. connector sleeve housing	4 pin	1	L 80
5	2D0 971 989 AS	flat connector housing	4 pin	1	
		for single wiring:	000 979 133 000 979 133 A 000 979 225 000 979 225 A	X 1,0 X 1,0 X 2,5 X 2,5	
6	2D0 971 989 C	flat connector housing	4 pin	1	
		for single wiring:	000 979 134 000 979 134 A 000 979 226 000 979 226 A	X 1,0 X 1,0 X 2,5 X 2,5	
7	1J0 973 724	flat contact housing	4 pin	1	
		for single wiring:	black 000 979 133 000 979 133 A 000 979 225 000 979 225 A	X 1,0 X 1,0 X 2,5 X 2,5	
8	1J0 973 824	flat contact housing	4 pin	1	
		as required use:	357 972 841	2	
		for single wiring:	000 979 134 000 979 134 A 000 979 226 000 979 226 A	X 1,0 X 1,0 X 2,5 X 2,5	
9	4B0 973 712	flat contact housing with helper contact catch	4 pin	1	
		for single wiring:	000 979 131 000 979 131 A	X 1,0 X 1,0	

Model	Year	MG	SG	Illustration	VIN No.	Update	14:42	18.02.20100		ETKA	
EL	90	9	71	970-61		336					



Pos	Part Number	Name	Remarks	Qty	Model	Pos	Part Number	Name	Remarks	Qty	Model
10	4B0 973 812	flat connector housing with additional contact catch for single wiring:	4 pin 000 979 132 000 979 132 A	X X X	1,0 1,0						
-	1H0 973 204	flat contact housing for single wiring:	4 pin 000 979 127 000 979 218 000 979 406 000 979 407	1 X X X X	1,0 2,5 6,0 6,0						
-	7M0 973 334	flat contact housing for single wiring:	4 pin 000 979 130 000 979 220 000 979 307	1 X X X							





Pos	Part Number	Name	Remarks	Qty	Model
1	191 906 231 D	connector housing	5 pin		
		flat contact housing		X	
		for single wiring:	000 979 133	X	1,0
			000 979 133 A	X	1,0
2	022 906 233	flat contact housing		X	
		for single wiring:	000 979 133	X	1,0
			000 979 133 A	X	1,0
			000 979 217	X	2,5
3	443 906 235	flat contact housing		X	
		for single wiring:	000 979 133	X	1,0
			000 979 133 A	X	1,0
			000 979 217	X	2,5
4	025 906 235 B	flat contact housing		X	
		for single wiring:	000 979 133	X	1,0
			000 979 133 A	X	1,0
			000 979 217	X	2,5
5	357 919 968 A	flat contact housing with helper contact catch		X	
		for single wiring:	000 979 133	X	1,0
			000 979 133 A	X	1,0
			000 979 217	X	2,5
6	171 941 599	terminal pin housing		X	
		for single wiring:	000 979 106	X	1,0
			000 979 107	X	1,0
			000 979 204	X	2,5
			000 979 402	X	6,0
7	357 941 599	flat contact housing	white	X	
		for single wiring:	000 979 135	X	1,0
			000 979 227	X	2,5
			000 979 407	X	6,0
8	431 941 599	terminal pin housing		X	
		for single wiring:	000 979 106	X	1,0
			000 979 107	X	1,0
			000 979 204	X	2,5
			000 979 402	X	6,0
9	1H0 953 635	flat contact housing		X	
		for single wiring:	000 979 133	X	1,0
			000 979 133 A	X	1,0
			000 979 217	X	2,5
10	---	no longer available		X	
11	1H0 953 637	flat contact housing		X	
		for single wiring:	000 979 135	X	1,0
			000 979 227	X	2,5
			000 979 407	X	6,0

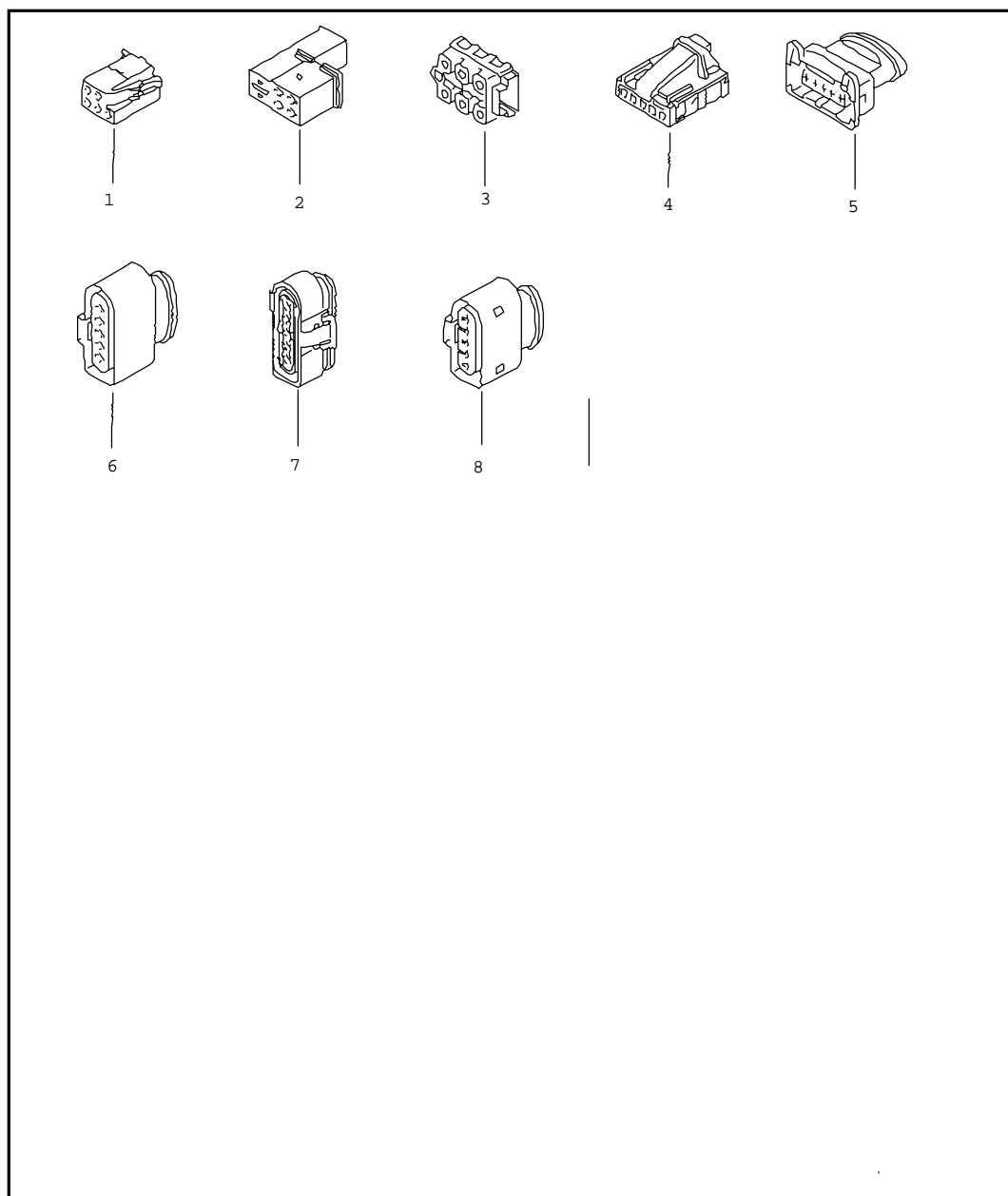
Model	Year	MG	SG	Illustration	VIN No.	Update	14:43	18.02.20100		ETKA	
EL	90	9	71	970-70		336					

Pos	Part Number	Name	Remarks	Qty	Model	Pos	Part Number	Name	Remarks	Qty	Model
12	171 953 637 A	terminal pin housing for single wiring:	000 979 106 000 979 107 000 979 204 000 979 402	X X X X	1,0 1,0 2,5 6,0	(23)	2TA 971 835	terminal pin housing	5 pin	1	L 80
13	357 955 968 A	flat contact housing with helper contact catch for single wiring:	000 979 133 000 979 133 A 000 979 217	X X X	1,0 1,0 2,5	24	443 971 836	flat contact housing for single wiring:	000 979 135 000 979 227 000 979 407	X X X	1,0 2,5 6,0
14	321 959 869	terminal pin housing for single wiring:	000 979 107 000 979 204 000 979 402	X X X	1,0 2,5 6,0	25	357 971 837	flat contact housing for single wiring:	black 000 979 135 000 979 227 000 979 407	X X X X	1,0 2,5 6,0
15	357 959 869	terminal pin housing for single wiring:	000 979 133 000 979 133 A 000 979 217	X X X	1,0 1,0 2,5	26	171 971 997 A	rd. connector sleeve housing for single wiring:	000 979 108 000 979 110 000 979 208 000 979 211 000 979 305	X X X X X	1,0 1,0 2,5 2,5 4,0
16	431 959 869	rd. connector sleeve housing for single wiring:	000 979 110 000 979 211 000 979 305	X X X	1,0 2,5 4,0	27	443 972 961	flat contact housing for single wiring:	000 979 135 000 979 227 000 979 407 000 979 408	X X X X	1,0 2,5 6,0 6,0
17	171 959 999	terminal pin housing for single wiring:	000 979 107 000 979 204 000 979 402	X X X	1,0 2,5 6,0	28	191 972 995	flat contact housing for single wiring:	000 979 133 000 979 133 A 000 979 217	X X X	1,0 1,0 2,5
18		see illustration:	972-20			29	443 972 995	flat connector housing for single wiring:	000 979 106 000 979 212 000 979 405	X X X	1,0 2,5 6,0
18		see illustration:	972-20			30	447 972 995	rd. connector sleeve housing for single wiring:	000 979 108 000 979 208	X X	1,0 2,5
19	113 971 835	terminal pin housing for single wiring:	000 979 105 000 979 106	X X	1,0 1,0	31	1H4 972 705	flat contact housing for single wiring:	000 979 131 000 979 131 A	X X	1,0 1,0
20	--- --- ---	no longer available		X		32	1H0 972 705	flat contact housing for single wiring:	000 979 133 000 979 133 A 000 979 217	X X X	1,0 1,0 2,5
21	811 971 835	terminal pin housing for single wiring:	000 979 107 000 979 204 000 979 402	X X X	1,0 2,5 6,0	(32)	191 972 755	flat contact housing for single wiring:	5 pin 000 979 135 000 979 227 000 979 306 000 979 407	1 X X X X	1,0 2,5 4,0 6,0
22	171 971 835 A	terminal pin housing for single wiring:	000 979 105 000 979 106	X X	1,0 1,0						
23	803 971 835 A	terminal pin housing for single wiring:	000 979 107 000 979 204 000 979 402	X X X	1,0 2,5 6,0						



Model	Year	MG	SG	Illustration	VIN No.	Update	14:43	18.02.20100		ETKA	
EL	90	9	71	970-70		336					

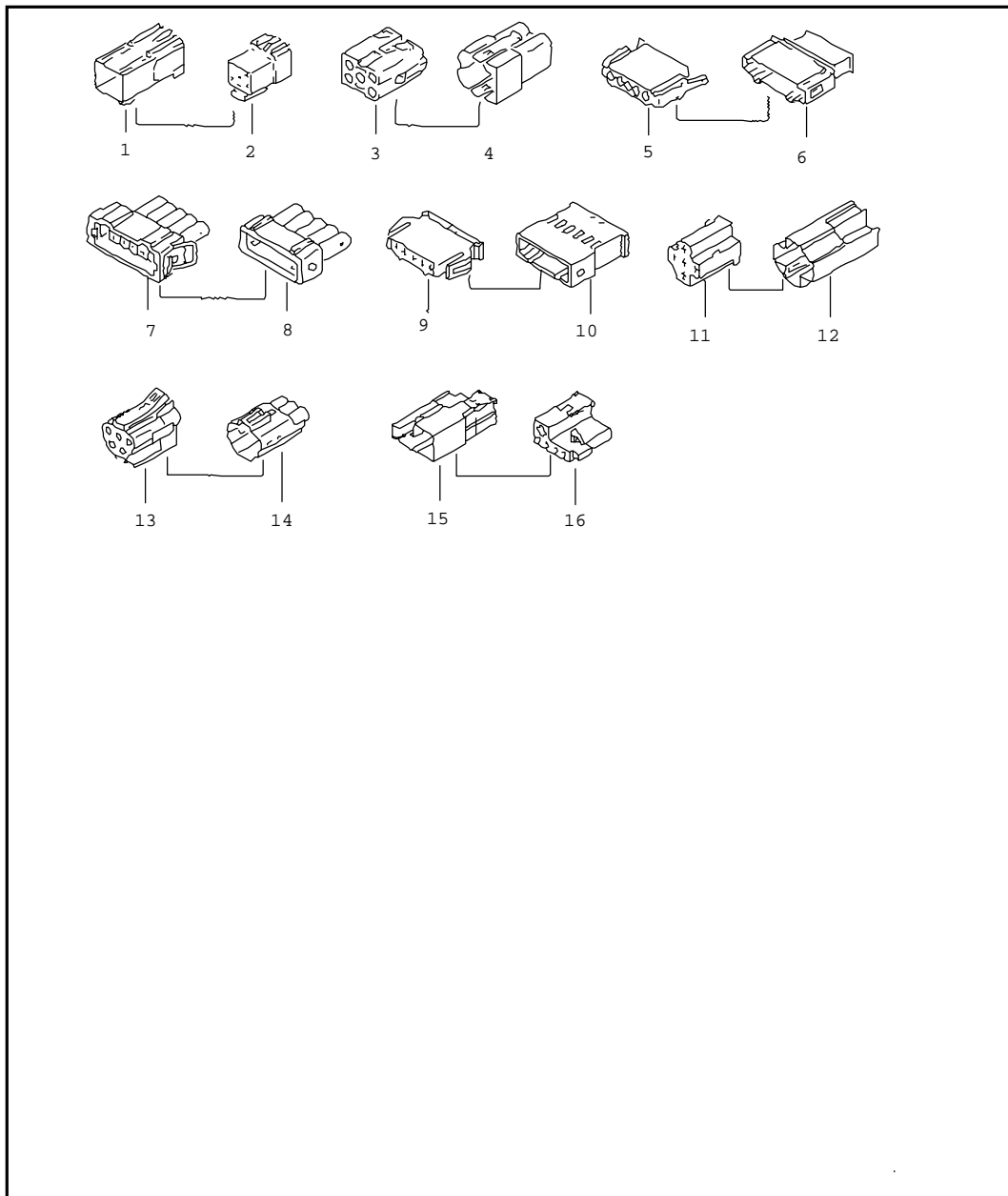
Pos	Part Number	Name	Remarks	Qty	Model	Pos	Part Number	Name	Remarks	Qty	Model
33	893 906 234	flat contact housing for single wiring:	000 979 107 000 979 204 000 979 402	X X X	1,0 2,5 6,0						
34	535 972 705	terminal pin housing for single wiring:	000 979 131 000 979 131 A	X X	1,0 1,0						
35	8D0 971 966	rd. connector sleeve housing for single wiring:	5 pin 000 979 117 000 979 214	1 X X	1,0 2,5						
36	4D0 971 977	flat contact housing for single wiring:	5 pin 000 979 003 A	1 X	0,5						

Model	Year	MG	SG	Illustration	VIN No.	Update	14:43	18.02.20100		ETKA	
EL	90	9	71	970-71		336					





Pos	Part Number	Name	Remarks	Qty	Model
		connector housing	5 pin		
1	1J0 959 869	flat contact housing for single wiring:	5 pin 000 979 133 000 979 133 A 000 979 135	X X X X	
2	2D0 971 989 AP	flat connector housing connecting piece fuse box/relay plate	5 pin	1	
3	2D0 971 989 F	flat contact housing	5 pin	1	
4	4B0 973 605	flat contact housing for single wiring:	5 pin 000 979 003 A	1 X	0,5
5	1H0 973 705	flat contact housing for single wiring:	5 pin 000 979 126	1 X	1,0
6	4D0 973 725	flat contact housing ignition coil for single wiring:	5 pin 000 979 135 000 979 133 000 979 133 A	1 X X X	1,0 1,0 1,0
7	3A0 973 755	flat contact housing for single wiring:	5 pin 000 979 407	1 X	6,0
8	1J0 973 775 A	flat contact housing with helper contact catch for single wiring:	5 pin SCHWARZ/ROT 000 979 133 000 979 133 A 000 979 225 000 979 225 A	1 X X X X	1,0 1,0 2,5 2,5
-	6N0 937 775	flat contact housing for single wiring:	5 pin 000 979 227 000 979 306	1 X X	2,5 4,0
-	4B0 971 995	flat connector housing KONTAKTE BERICHTIGT	5 pin	1	

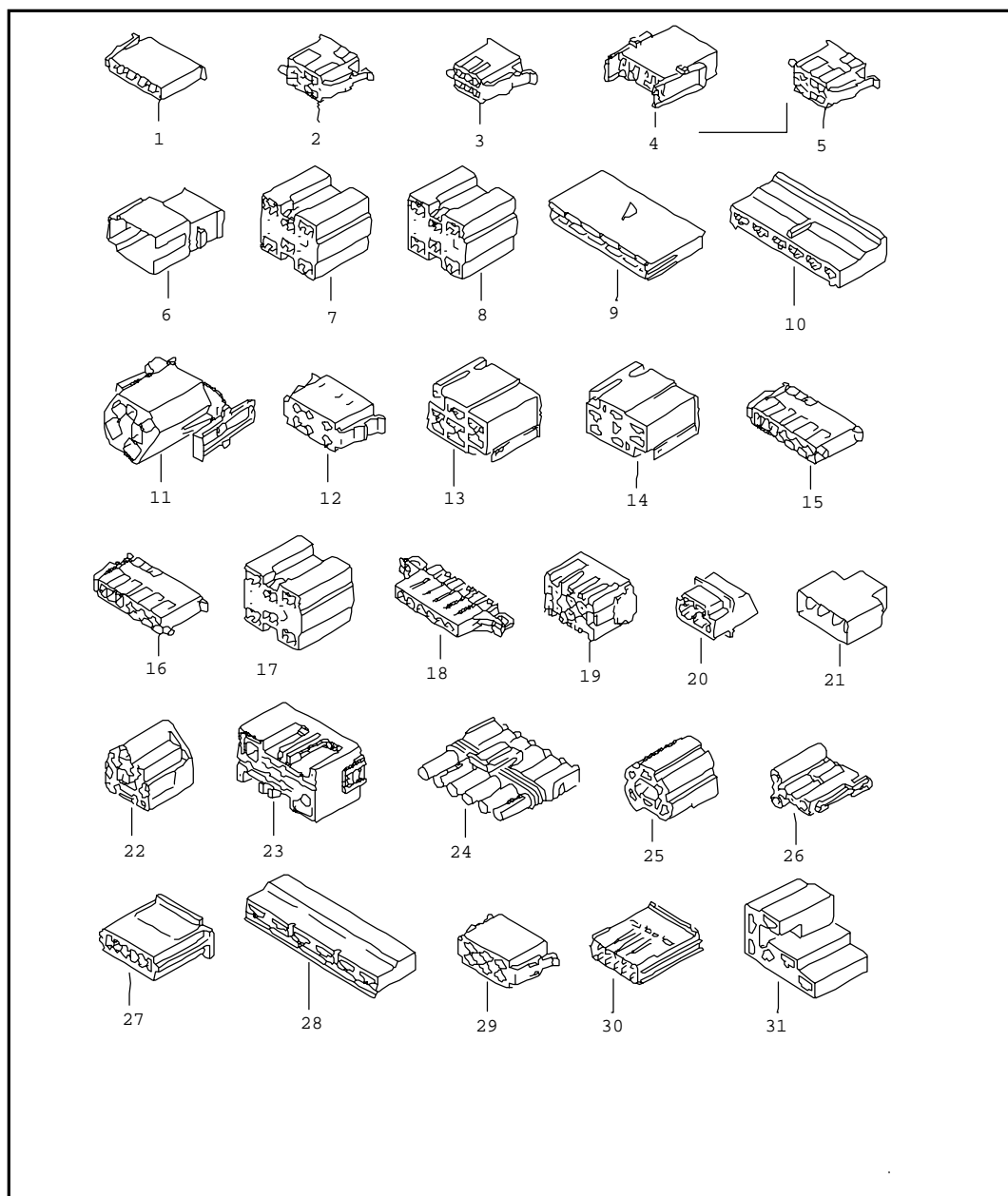
Model	Year	MG	SG	Illustration	VIN No.	Update	14:43	18.02.20100		ETKA	
EL	90	9	71	970-80		336					





Pos	Part Number	Name	Remarks	Qty	Model
1	893 971 835	connector housing	5 pin		
		flat connector housing for single wiring:	000 979 103	X	1,0
2	893 971 836	flat contact housing		X	
		for single wiring:	000 979 133	X	1,0
			000 979 133 A	X	1,0
			000 979 135	X	1,0
3	533 972 523	rd. connector sleeve housing		X	
		for single wiring:	000 979 110	X	1,0
			000 979 211	X	2,5
			000 979 305	X	4,0
4	533 972 524	round connector housing		X	
		for single wiring:	000 979 111	X	1,0
			000 979 210	X	2,5
			000 979 304	X	4,0
5	191 972 705	terminal pin housing		X	
		for single wiring:	000 979 133	X	1,0
			000 979 133 A	X	1,0
			000 979 135	X	1,0
			000 979 217	X	2,5
6	191 972 715	flat connector housing		X	
		for single wiring:	000 979 129	X	1,0
			000 979 219	X	2,5
7	357 972 755	flat contact housing		X	
		for single wiring:	000 979 133	X	1,0
			000 979 133 A	X	1,0
			000 979 135	X	1,0
			000 979 217	X	2,5
8	357 972 765	flat connector housing		X	
		for single wiring:	000 979 129	X	1,0
			000 979 219	X	2,5
9	893 971 635	flat contact housing		X	
		for single wiring:	000 979 133	X	1,0
			000 979 133 A	X	1,0
			000 979 135	X	1,0
			000 979 217	X	2,5
10	4B0 971 995	flat connector housing	5 pin	1	
		for single wiring:	000 979 134	X	1,0
			000 979 134 A	X	1,0
			000 979 226	X	2,5
			000 979 226 A	X	2,5

Model	Year	MG	SG	Illustration	VIN No.	Update	14:43	18.02.20100		ETKA	
EL	90	9	71	970-80		336					



Pos	Part Number	Name	Remarks	Qty	Model	Pos	Part Number	Name	Remarks	Qty	Model
(10)	893 971 995	terminal pin housing		X							
		for single wiring:	000 979 133	X	1,0						
			000 979 133 A	X	1,0						
			000 979 217	X	2,5						
11	1H0 972 755	flat contact housing		X							
		for single wiring:	000 979 133	X	1,0						
			000 979 133 A	X	1,0						
			000 979 217	X	2,5						
12	1H0 972 765	flat contact housing		X							
		for single wiring:	000 979 129	X	1,0						
			000 979 129 A	X	1,0						
			000 979 219	X	2,5						
13	7M0 906 235 C	rd. connector sleeve housing	5 pin	1							
		for single wiring:	000 979 148	X							
			000 979 240	X							
14	7M0 972 732	flat contact housing	5 pin	1							
		for single wiring:	000 979 149	X							
			000 979 241	X							
15	1J0 973 303	flat contact housing	5 pin	1							
		for single wiring:	000 979 132	X	1,0						
			000 979 132 A	X	1,0						
			000 979 228	X	2,5						
16	1J0 973 333	flat contact housing	5 pin	1							
		for single wiring:	000 979 131	X	1,0						
			000 979 131 A	X	1,0						
			000 979 227	X	2,5						
(16)	1J0 973 333 A	flat contact housing	5 pin	1							
		for single wiring:	000 979 131	X	1,0						
			000 979 131 A	X	1,0						
			000 979 227	X	2,5						
(16)	1J0 973 333 M	flat contact housing	5 pin	1							
		for single wiring:	000 979 131	X	1,0						
			000 979 131 A	X	1,0						
			000 979 227	X	2,5						



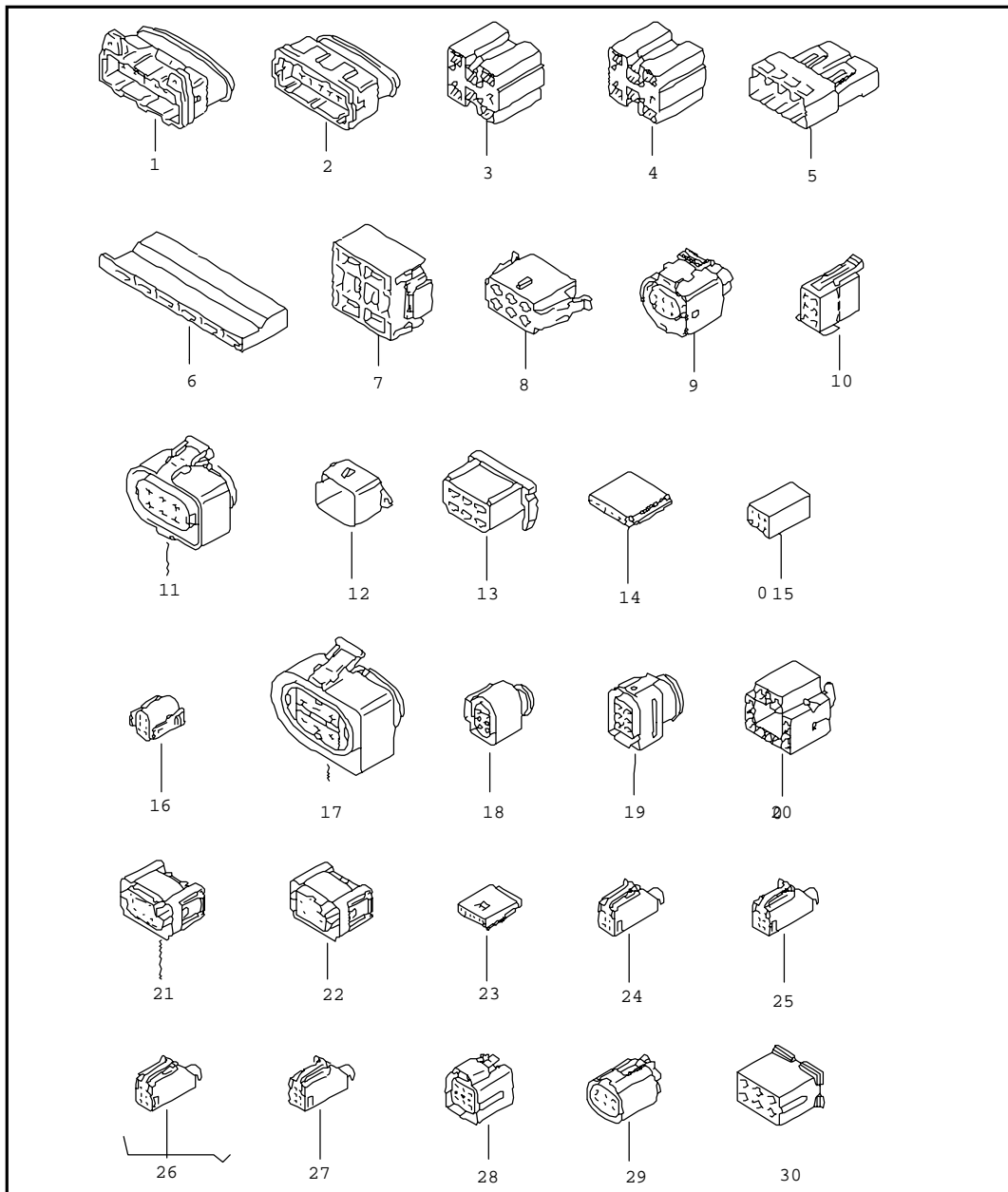
Pos	Part Number	Name	Remarks	Qty	Model
1	191 906 231 E	connector housing	6 pin		
		flat contact housing		X	
		for single wiring:	000 979 133	X	1,0
			000 979 133 A	X	1,0
2	357 906 968	flat contact housing with helper contact catch		X	
		for single wiring:	000 979 133	X	1,0
			000 979 133 A	X	1,0
			000 979 135	X	1,0
			000 979 217	X	2,5
			000 979 227	X	2,5
3	357 907 968 A	flat contact housing		X	
		for single wiring:	000 979 133	X	1,0
			000 979 133 A	X	1,0
			000 979 217	X	2,5
4	171 927 235 A	terminal pin housing		X	
		for single wiring:	000 979 106	X	1,0
			000 979 107	X	1,0
			000 979 204	X	2,5
5	357 941 968	flat contact housing with helper contact catch		X	
		for single wiring:	000 979 133	X	1,0
			000 979 133 A	X	1,0
			000 979 135	X	1,0
			000 979 217	X	2,5
			000 979 227	X	2,5
6	333 941 973	flat contact housing with helper contact catch		X	
		for single wiring:	000 979 129	X	1,0
			000 979 219	X	2,5
7	701 941 997	terminal pin housing	black	X	
		for single wiring:	000 979 135	X	1,0
			000 979 227	X	2,5
			000 979 407	X	6,0
7	701 941 997	terminal pin housing	black	X	
		for single wiring:	000 979 135	X	1,0
			000 979 227	X	2,5
			000 979 407	X	6,0
8	701 943 997	flat contact housing	yellow	X	
		for single wiring:	000 979 135	X	1,0
			000 979 227	X	2,5
			000 979 407	X	6,0

Model	Year	MG	SG	Illustration	VIN No.	Update	14:43	18.02.20100		ETKA	
EL	90	9	71	970-90		336					



Pos	Part Number	Name	Remarks	Qty	Model	Pos	Part Number	Name	Remarks	Qty	Model
(8)	701 963 997	flat contact housing for single wiring:	white 000 979 135 000 979 227 000 979 407	X X X X	1,0 2,5 6,0	17	701 959 997	flat contact housing for single wiring:	blue 000 979 135 000 979 227 000 979 407	X X X X	1,0 2,5 6,0
9	161 945 247	flat contact housing for single wiring:	000 979 135 000 979 227 000 979 407	X X X	1,0 2,5 6,0	18	155 971 617	round connector housing for single wiring:	000 979 128	X X	1,0
10	431 945 247	terminal pin housing for single wiring:	000 979 107 000 979 204 000 979 402	X X X	1,0 2,5 6,0	19	443 971 635	rd. connector sleeve housing for single wiring:	000 979 117 000 979 213	X X	1,0 2,5
11	191 953 631	terminal pin housing for single wiring:	000 979 133 000 979 133 A 000 979 135 000 979 217 000 979 227 000 979 407	X X X X X X	1,0 1,0 1,0 2,5 2,5 6,0	20	477 971 829	terminal pin housing for single wiring:	000 979 105 000 979 106 000 979 107	X X X	1,0 1,0 1,0
12	357 959 545	terminal pin housing for single wiring:	000 979 135 000 979 227 000 979 407	X X X	1,0 2,5 6,0	21	803 971 968	junction box		X	
13	191 959 869	flat contact housing for single wiring:	000 979 135 000 979 227 000 979 407	X X X	1,0 2,5 6,0	22	857 971 972	flat contact housing for single wiring:	000 979 133 000 979 133 A 000 979 217	X X X	1,0 1,0 2,5
14	191 959 869 A	flat contact housing for single wiring:	000 979 135 000 979 227 000 979 407	X X X	1,0 2,5 6,0	23	8L0 971 972	flat connector housing for single wiring:	000 979 135 000 979 227 000 979 407	X X X	1,0 2,5 6,0
15	357 959 968	flat contact housing with helper contact catch for single wiring:	000 979 133 000 979 133 A 000 979 135 000 979 217 000 979 227 000 979 407	X X X X X X	1,0 1,0 1,0 2,5 2,5 6,0	24	443 971 973	round connector housing for single wiring:	000 979 201	X X	2,5
16	357 959 968 B	flat contact housing with helper contact catch for single wiring:	000 979 133 000 979 133 A 000 979 135 000 979 217 000 979 227 000 979 407	X X X X X X	1,0 1,0 1,0 2,5 2,5 6,0	25	481 971 975	terminal pin housing for single wiring:	000 979 107 000 979 204 000 979 402	X X X	1,0 2,5 6,0
						26	171 971 997 B	rd. connector sleeve housing for single wiring:	000 979 108 000 979 110 000 979 208 000 979 211 000 979 305	X X X X X	1,0 1,0 2,5 2,5 4,0
						27	321 971 998 A	spring contact housing for single wiring:	000 979 102	X X	1,0
						28	861 972 505	terminal pin housing for single wiring:	000 979 107 000 979 204 000 979 402	X X X	1,0 2,5 6,0
						29		see illustration:	971-01		
						30	443 972 954	spring contact housing for single wiring:	000 979 102	X X	1,0

Model	Year	MG	SG	Illustration	VIN No.	Update	14:43	18.02.20100		ETKA	
EL	90	9	71	970-90		336					



Pos	Part Number	Name	Remarks	Qty	Model	Pos	Part Number	Name	Remarks	Qty	Model
31	171 972 999	terminal pin housing for single wiring:	000 979 107 000 979 204 000 979 402	X X X	1,0 2,5 6,0						
32	6X0 972 623	flat contact housing for single wiring:	6 pin black 000 979 306 000 979 135 000 979 227 000 979 407	1							

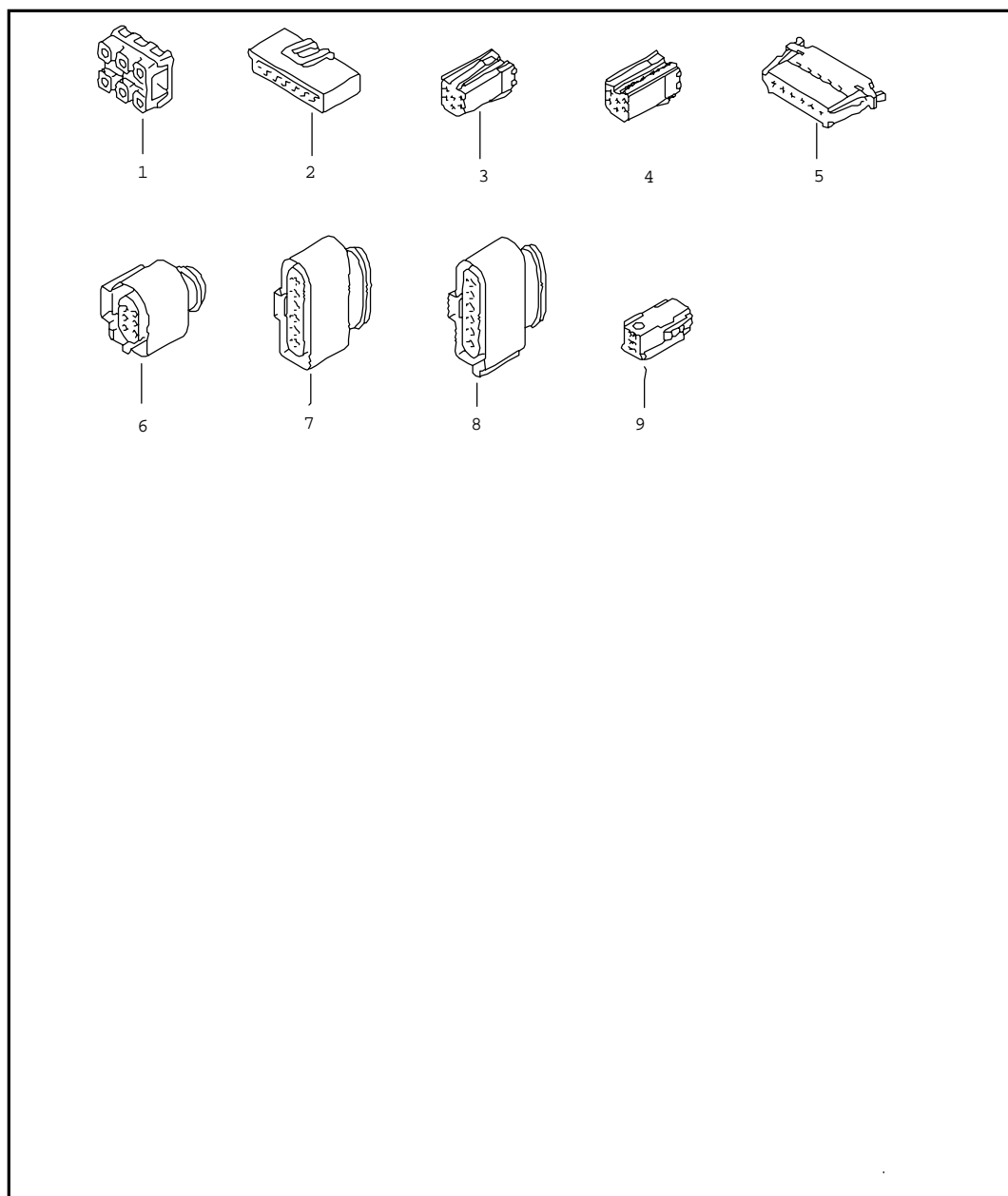


Pos	Part Number	Name	Remarks	Qty	Model
1	4A0 906 236	connector housing	6 pin		
		flat contact housing		X	
		for single wiring:	000 979 133	X	1,0
			000 979 133 A	X	1,0
2	022 906 233 A	terminal pin housing		X	
		for single wiring:	000 979 133	X	1,0
			000 979 133 A	X	1,0
			000 979 217	X	2,5
3	701 927 997	flat contact housing		X	
		for single wiring:	000 979 135	X	1,0
			000 979 227	X	2,5
			000 979 407	X	6,0
4	701 941 997 A	terminal pin housing		X	
		for single wiring:	000 979 135	X	1,0
			000 979 227	X	2,5
			000 979 407	X	6,0
5	357 937 541	cable connector	red	X	
6	183 971 831	flat connector housing			
		for single wiring:	000 979 107	X	1,0
			000 979 204	X	2,5
			000 979 402	X	6,0
7	447 937 520	junction box	black	X	
8	1H0 972 773	flat contact housing		X	
		for single wiring:	000 979 135	X	1,0
			000 979 227	X	2,5
			000 979 407	X	6,0
9	3A0 973 206 A	flat contact housing	6 pin	X	
		for single wiring:	000 979 131	X	1,0
			000 979 131 A	X	1,0
10	2D0 971 989 BM	flat contact housing	6 pin		1
		switch			
		cruise control system			
		for single wiring:	000 979 133		
10	2D0 971 989 BM	flat contact housing	6 pin		1
		switch			
		cruise control system			
		for single wiring:	000 979 133		
11	1H0 973 763	flat contact housing		X	
		for single wiring:	000 979 135	X	1,0
			000 979 227	X	2,5
			000 979 407	X	6,0

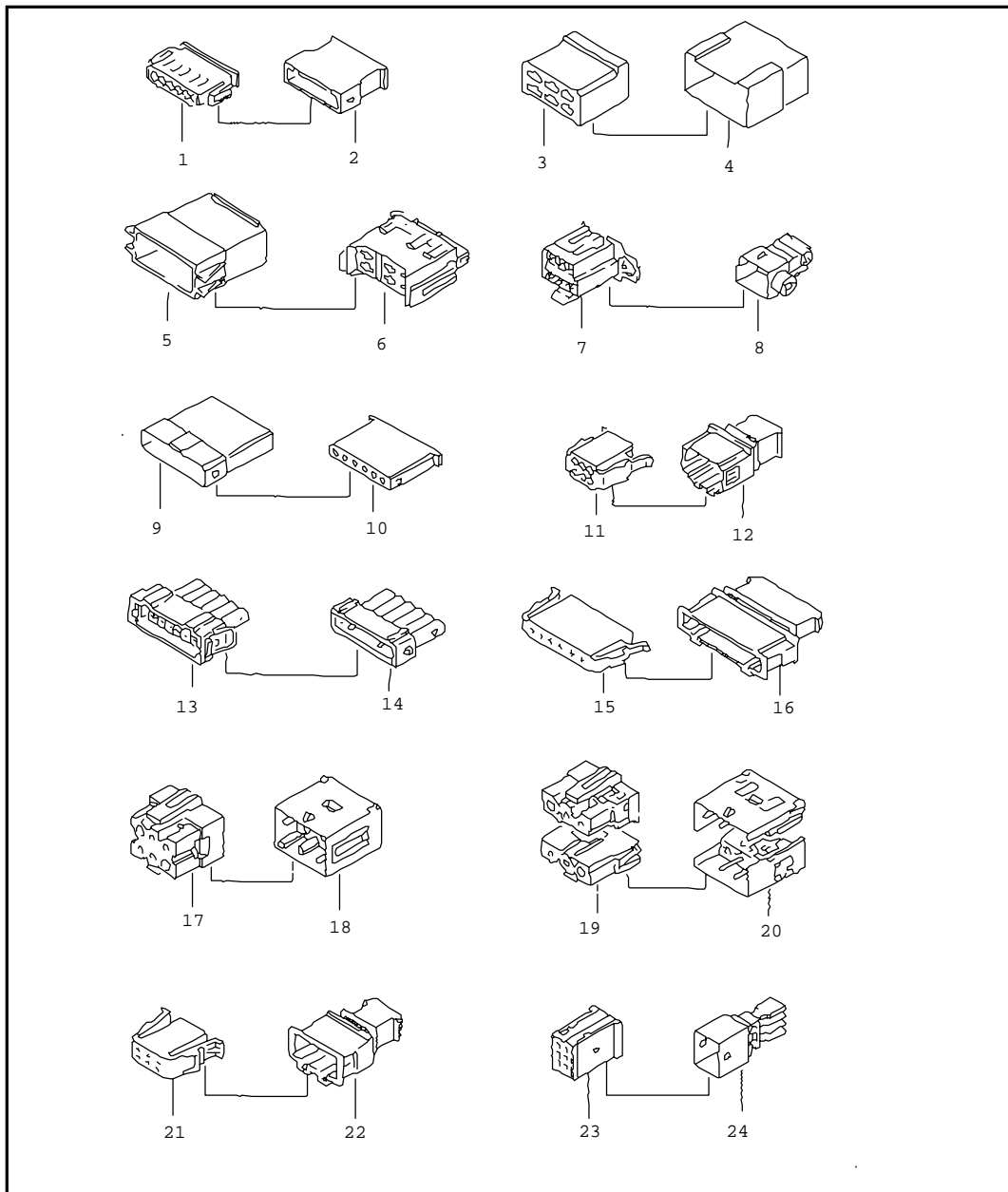
Model	Year	MG	SG	Illustration	VIN No.	Update	14:43	18.02.20100		ETKA	
EL	90	9	71	970-91		336					

Pos	Part Number	Name	Remarks	Qty	Model	Pos	Part Number	Name	Remarks	Qty	Model
12	447 919 216 BD	flat connector housing	6 pin	X		25	4B0 971 636 A	flat contact housing	6 pin brown	X	
13	2D0 971 989 BS	flat connector housing connecting piece idling stabilisation	6 pin	1				for single wiring:	000 979 003 A	X 0,5	
14	3A0 972 706 H	flat contact housing for single wiring:	6 pin 000 979 131 000 979 131 A	X X X	1,0 1,0	26	4B0 971 636 B	flat contact housing for single wiring:	6 pin red 000 979 003 A	X X	0,5
15	3A0 972 706 J	flat contact housing for single wiring:	6 pin 000 979 131 000 979 131 A	X X X	1,0 1,0	27	4B0 971 636 D	flat contact housing for single wiring:	6 pin blue 000 979 003 A	X	0,5
16	3A0 973 606	flat contact housing for single wiring:	6 pin 000 979 002	X	0,5	28	2TA 973 116 A	terminal pin housing	6 pin	1	
17	1H0 973 763	flat contact housing for single wiring:	6 pin 000 979 135 000 979 227 000 979 407	X X X X	1,0 2,5 6,0	29	7M0 906 236	rd. connector sleeve housing	6 pin	1	
18	1J0 973 713	flat contact housing for single wiring:	6 pin 000 979 131 000 979 131 A	X X X	1,0 1,0	30	2D0 971 989 AQ	flat connector housing for single wiring:	6 pin 000 979 135 000 979 227 000 979 407	X X X X	1,0 2,5 6,0
19	3B0 959 384	flat contact housing with helper contact catch for single wiring:	6 pin 000 979 133 000 979 133 A 000 979 135	X X X X	1,0 1,0 1,0						
20	7M0 953 631 A	flat contact housing for single wiring:	6 pin 000 979 135 000 979 227 000 979 407	X X X X	1,0 2,5 6,0						
21	7M0 973 119	flat contact housing sensor for headlight range control for single wiring:	6 pin black 000 979 009	X	0,5						
22	4B0 972 571	flat contact housing with cap for single wiring:	6 pin 000 979 003 A	X	0,5						
23	4B0 971 978 A	flat connector housing for single wiring:	6 pin 000 979 009 000 979 003 A	X X X	0,5 0,5						
24	4B0 971 636	flat contact housing for single wiring:	6 pin black 000 979 003 A	X	0,5						



Model	Year	MG	SG	Illustration	VIN No.	Update	14:44	18.02.20100		ETKA	
EL	90	9	71	970-92		336					





Pos	Part Number	Name	Remarks	Qty	Model
		connector housing	6 pin		
1	2D0 971 989 CC	flat contact housing for single wiring:	6 pin 2D0 972 982 A	1	
2	2D0 971 989 G	flat connector housing	6 pin	1	
3	4A0 972 643	flat contact housing for single wiring:	6 pin yellow 000 979 131	1 X 1,0	
4	4A0 972 643 A	flat contact housing for single wiring:	6 pin green 000 979 131	1 X 1,0	
5	3B0 972 706	flat contact housing for single wiring:	6 pin 000 979 131 000 979 131 A	1 X 1,0 X 1,0	
6	1J0 973 713 G	flat contact housing for single wiring:	6 pin grey 000 979 131 000 979 131 A	1 X 1,0 X 1,0	
7	1J0 973 726	flat contact housing with helper contact catch for single wiring:	6 pin black 000 979 133 000 979 133A 000 979 225 000 979 225 A	1 X 1,0 X 1,0 X 2,5 X 2,5	
8	---	discontinued / replacement:	1J0 973 726	1	
-	4B0 973 121	flat contact housing connecting piece remote control stationary heater for single wiring:	6 pin 000 979 009	1 X 0,5	
-	4B0 972 586	flat contact housing side airbag unit for single wiring:	6 pin yellow 000 979 010 A	X X	
-	6X0 972 926	flat contact housing for single wiring:	6 pin black 000 979 133 000 979 133 A 000 979 225 000 979 225 A	1	

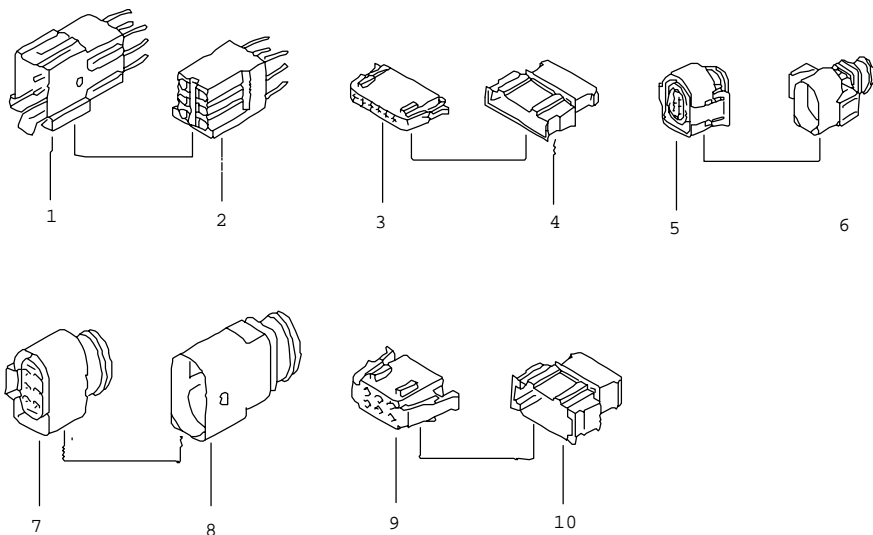


Pos	Part Number	Name	Remarks	Qty	Model
(1)	893 971 636	connector housing	6 pin		
		flat contact housing		X	
		for single wiring:	000 979 133	X	1,0
			000 979 133 A	X	1,0
			000 979 217	X	2,5
1	4B0 971 996	flat connector housing	6 pin	1	
		for single wiring:	000 979 134	X	1,0
			000 979 134 A	X	1,0
			000 979 226	X	2,5
			000 979 226 A	X	2,5
2	893 971 996	flat connector housing		X	
		for single wiring:	000 979 103	X	1,0
3	803 971 831	terminal pin housing		X	
		for single wiring:	000 979 107	X	1,0
			000 979 204	X	2,5
			000 979 402	X	6,0
4	803 971 833 A	flat connector housing		X	
		for single wiring:	000 979 104	X	1,0
			000 979 203	X	2,5
			000 979 409	X	6,0
5	893 971 831 A	flat connector housing		X	
		for single wiring:	000 979 104	X	1,0
			000 979 203	X	2,5
			000 979 409	X	6,0
6	443 972 996	flat contact housing		X	
		for single wiring:	000 979 135	X	1,0
			000 979 227	X	2,5
			000 979 407	X	6,0
7	893 971 833	flat contact housing		X	
		for single wiring:	000 979 133	X	1,0
			000 979 133 A	X	1,0
			000 979 217	X	2,5
8	853 971 834	flat connector housing		X	
		for single wiring:	000 979 103	X	1,0
9	171 971 998 E	round connector housing		X	
		for single wiring:	000 979 109	X	1,0
			000 979 209	X	2,5
10	171 971 999 E	rd. connector sleeve housing		X	
		for single wiring:	000 979 108	X	1,0
			000 979 208	X	2,5
11	191 972 723	terminal pin housing		X	
		for single wiring:	000 979 133	X	1,0
			000 979 133 A	X	1,0
			000 979 217	X	2,5

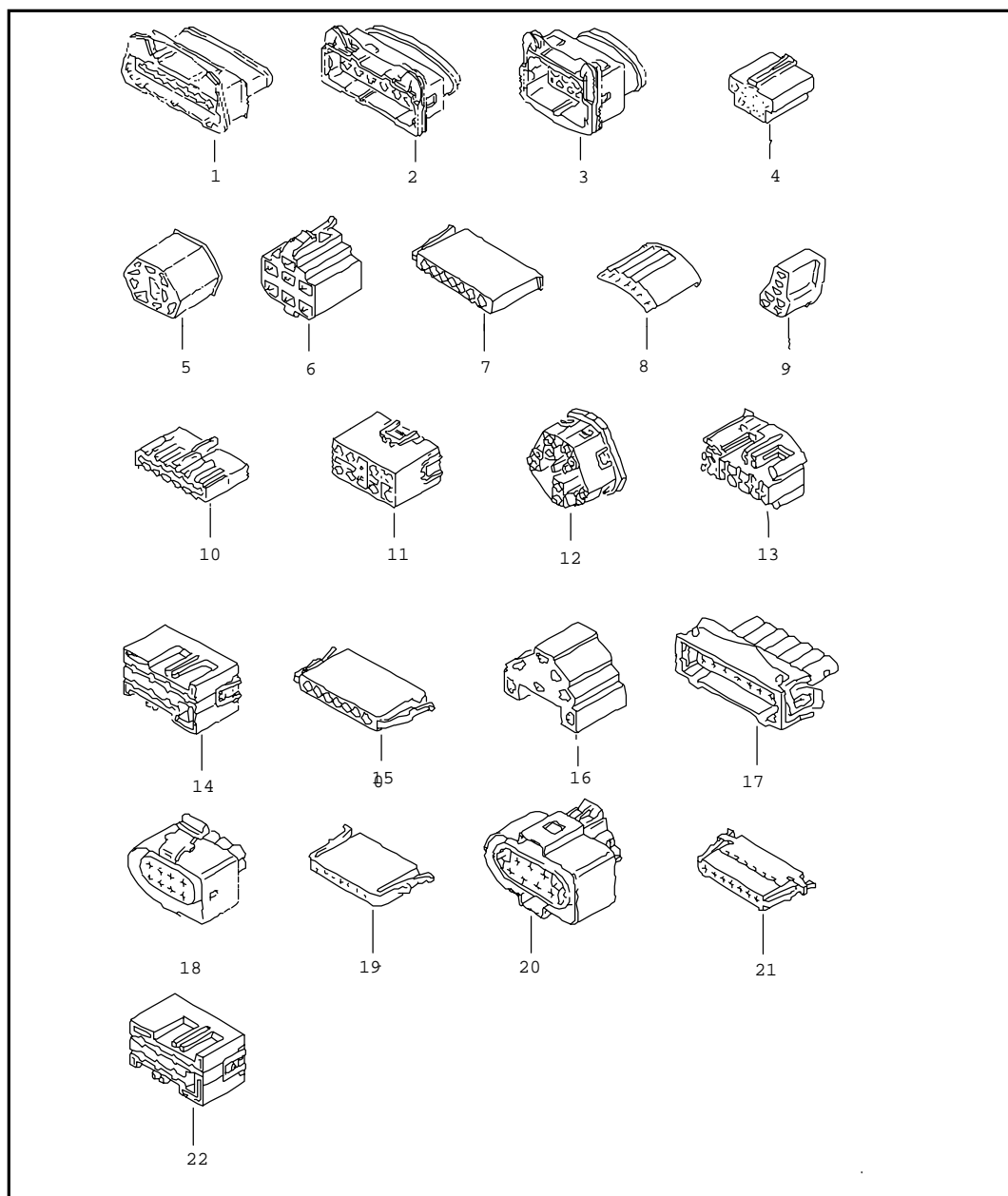
Model	Year	MG	SG	Illustration	VIN No.	Update	14:44	18.02.20100		ETKA	
EL	90	9	71	971-00		336					

Pos	Part Number	Name	Remarks	Qty	Model	Pos	Part Number	Name	Remarks	Qty	Model
12	191 972 733	terminal pin housing for single wiring:	000 979 129 000 979 219	X X X	1,0 2,5						
13	357 972 756	flat contact housing for single wiring:	000 979 133 000 979 133 A 000 979 217	X X X X	1,0 1,0 2,5						
14	357 972 766	flat connector housing for single wiring:	000 979 129 000 979 219	X X X	1,0 2,5						
15	191 972 706	flat contact housing for single wiring:	000 979 133 000 979 133 A 000 979 217	X X X X	1,0 1,0 2,5						
16	191 972 716	flat connector housing for single wiring:	000 979 129 000 979 219	X X X	1,0 2,5						
17	4A0 972 986	rd. connector sleeve housing for single wiring:	black/green 000 979 117 000 979 120 000 979 213 000 979 214	X X X X X	1,0 1,0 2,5 2,5						
18	4A0 972 985	round connector housing for single wiring:	black/green 000 979 118 000 979 119 000 979 215 000 979 216	X X X X X	1,0 1,0 2,5 2,5						
19		comprising: see illustration:	4A0 972 242 4A0 972 244 972-12	1 1							
20		comprising: see illustration:	4A0 972 241 4A0 972 243 972-12	1 1							
21	535 972 723 A	flat contact housing for single wiring:	6 pin 000 979 131 000 979 131 A	1 X X	1,0 1,0						
22	535 972 733	flat contact housing for single wiring:	6 pin black 000 979 132 000 979 132 A	X X X X	1,0 1,0						
23	4B0 971 833	flat contact housing for single wiring:	6 pin 000 979 003 A	X X	0,5						
24	4B0 971 834	flat contact housing	6 pin	X							



Model	Year	MG	SG	Illustration	VIN No.	Update	14:44	18.02.20100		ETKA	
EL	90	9	71	971-01		336					





Pos	Part Number	Name	Remarks	Qty	Model
		connector housing	6 pin		
1	2TA 973 106	round connector housing	6 pin	1	L 80
2	2TA 973 116	cylindrical connector with retaining lug	6 pin	1	L 80
3	535 972 706	flat contact housing for single wiring:	6 pin 000 979 131 000 979 131 A	X X X	1,0 1,0
4	535 972 716	flat contact housing for single wiring:	6 pin 000 979 132 000 979 132 A	1 X X	1,0 1,0
5	3A0 973 713	flat contact housing for single wiring:	000 979 131 000 979 131 A	X X X	1,0 1,0
6	3A0 973 813	flat contact housing for contact:	6 pin 000 979 132 000 979 132 A	1 X X	1,0 1,0
7	1J0 973 733	flat contact housing for single wiring:	6 pin 000 979 133 000 979 133 A 000 979 225 000 979 225 A	2 X X X X	1,0 1,0 2,5 2,5
8	1J0 973 833	flat contact housing for single wiring:	6 pin 000 979 134 000 979 134 A 000 979 226 000 979 226 A	1 X X X X	1,0 1,0 2,5 2,5
(9)	191 972 773	flat contact housing for single wiring:	6 pin 000 979 135 000 979 227 000 979 407	1 X X X	1,0 2,5 6,0
9	1J0 972 773	flat contact housing for single wiring:	6 pin 000 979 135 000 979 227 000 979 407	1 X X X	1,0 2,5 6,0
10	191 972 783	flat contact housing for single wiring:	6 pin 000 979 130 000 979 220 000 979 302	1 X X X	1,0 2,5 4,0

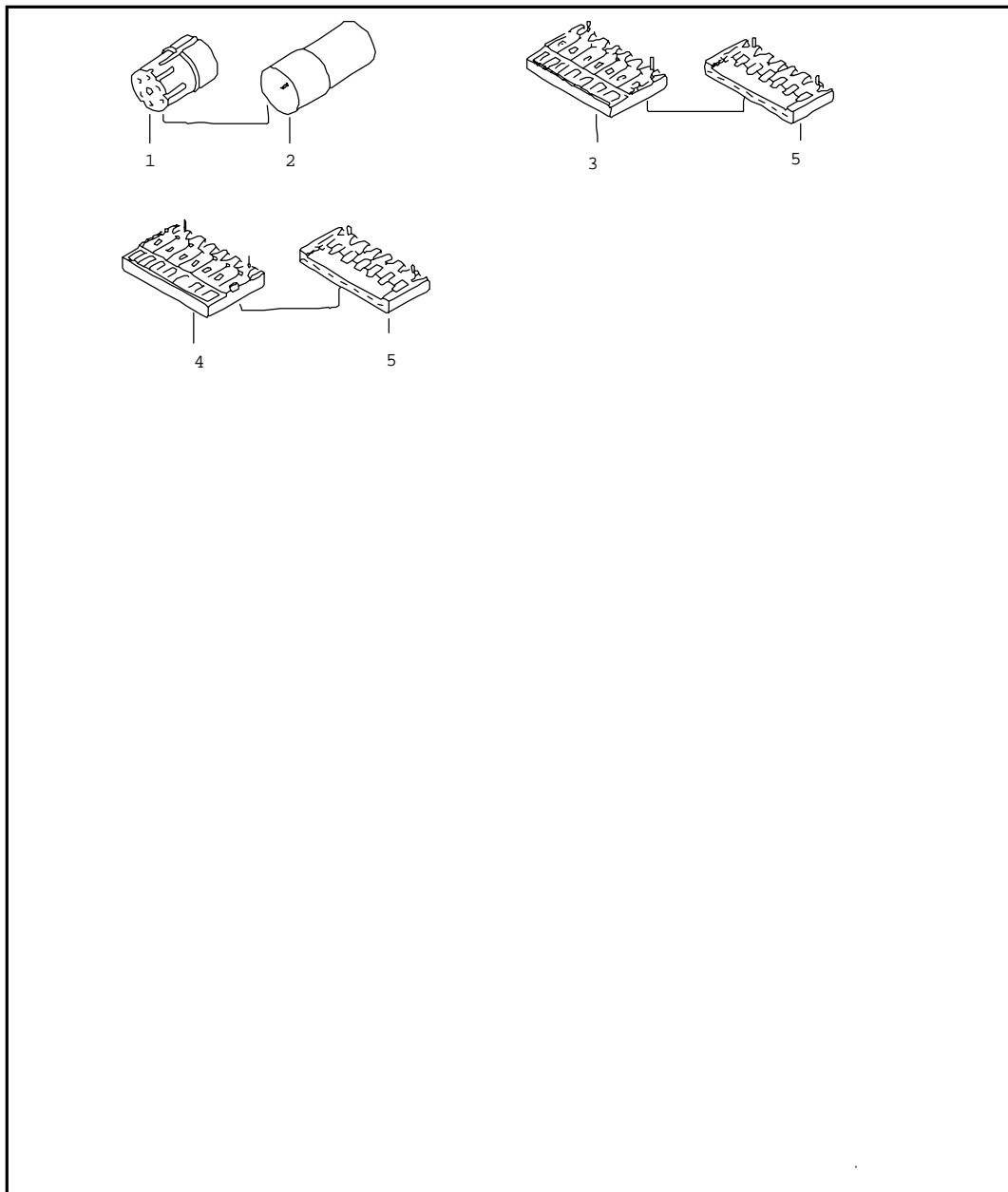


Pos	Part Number	Name	Remarks	Qty	Model
1	071 906 233	connector housing flat contact housing for single wiring:	7 pin 000 979 133 000 979 133 A 000 979 217	X X X X	1,0 1,0 2,5
2	071 906 233 A	flat contact housing for single wiring:	000 979 133 000 979 133 A 000 979 217	X X X X	1,0 1,0 2,5
3	191 906 357	flat contact housing for single wiring:	000 979 133 000 979 133 A 000 979 217	X X X X	1,0 1,0 2,5
4	191 941 336	flat contact housing for single wiring:	000 979 133 000 979 133 A 000 979 217	X X X X	1,0 1,0 2,5
5	111 953 631	terminal pin housing for single wiring:	000 979 105 000 979 106 000 979 107 000 979 204 000 979 402	X X X X X	1,0 1,0 1,0 2,5 6,0
6	357 953 631	flat contact housing for single wiring:	000 979 135 000 979 227 000 979 407	X X X X	1,0 2,5 6,0
7	1H0 953 633	flat contact housing for single wiring:	000 979 133 000 979 133 A 000 979 217	X X X X	1,0 1,0 2,5
8	171 953 633	terminal pin housing for single wiring:	000 979 105 000 979 106	X X X	1,0 1,0
9	---	no longer available		X	
10	321 971 946	flat contact housing for single wiring:	000 979 133 000 979 133 A 000 979 217	X X X X	1,0 1,0 2,5
11	893 971 960	flat contact housing for single wiring:	000 979 133 000 979 133 A 000 979 217	X X X X	1,0 1,0 2,5

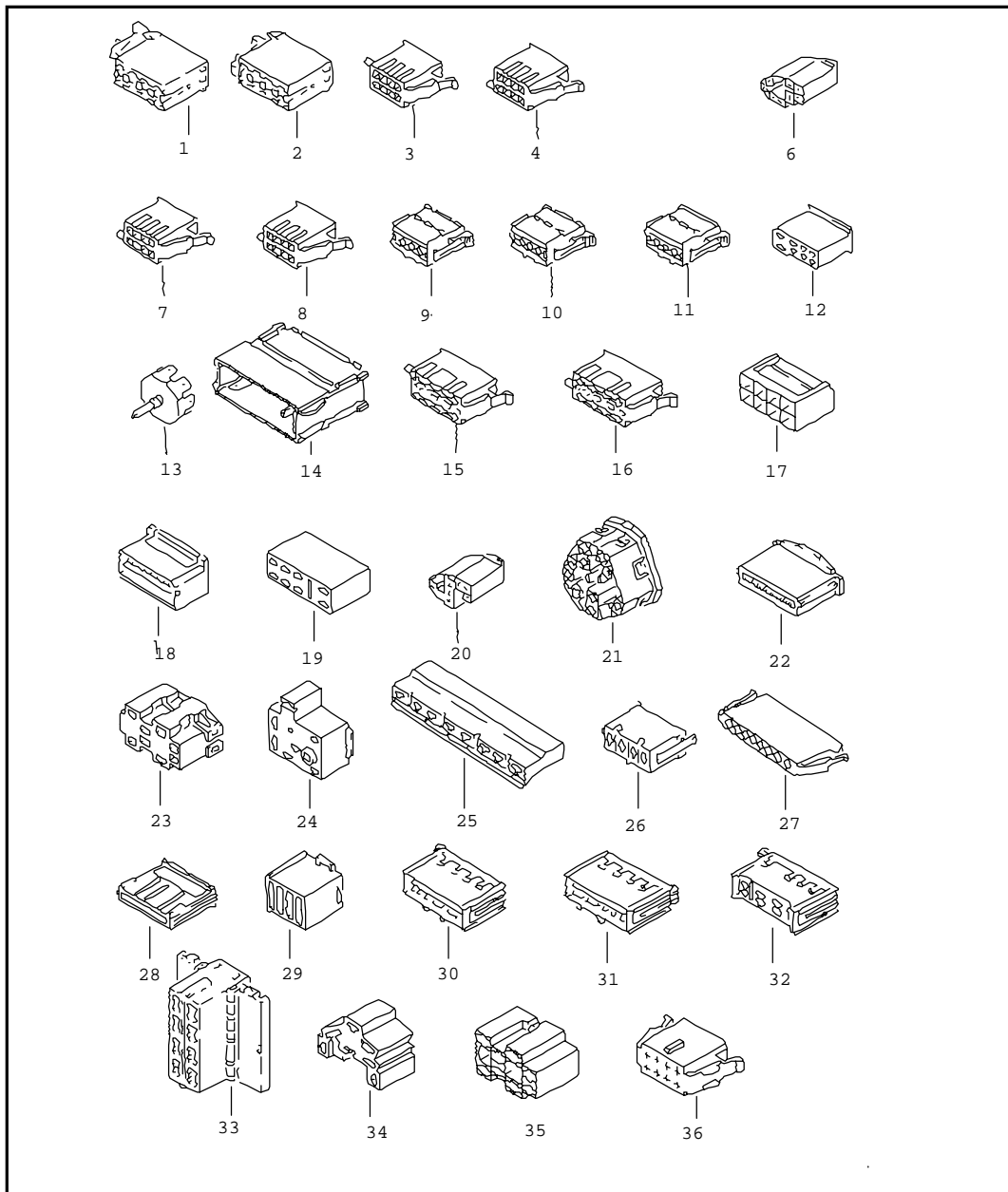
Model	Year	MG	SG	Illustration	VIN No.	Update	14:44	18.02.20100		ETKA	
EL	90	9	71	971-10		336					

Pos	Part Number	Name	Remarks	Qty	Model	Pos	Part Number	Name	Remarks	Qty	Model
12	4A0 971 975	flat contact housing for single wiring:	000 979 135 000 979 227 000 979 407	X X X	1,0 2,5 6,0						
13	857 971 978	flat contact housing for single wiring:	000 979 133 000 979 133 A 000 979 135 000 979 217 000 979 227 000 979 407	X X X X X X	1,0 1,0 1,0 2,5 2,5 6,0						
14	--- --- --- .	discontinued / replacement:	8L0 971 971								
15	191 972 707	flat contact housing for single wiring:	000 979 133 000 979 133 A 000 979 217	X X X	1,0 1,0 2,5						
16	823 972 997	terminal pin housing for single wiring:	000 979 107 000 979 204 000 979 402	X X X	1,0 2,5 6,0						
17	357 972 757	flat contact housing for single wiring:	000 979 133 000 979 133 A 000 979 217	X X X	1,0 1,0 2,5						
18	3A0 973 207 A	flat contact housing for single wiring:	000 979 133 000 979 133 A 000 979 217	X X X	1,0 1,0 2,5						
19	535 972 707	flat contact housing for single wiring:	7 pin 000 979 131 000 979 131 A	1 X X	1,0 1,0						
20	3A0 973 737	flat contact housing for single wiring:	7 pin 000 979 133 000 979 133 A 000 979 217	1 X X X	1,0 1,0 2,5						
21	3B0 972 707	flat contact housing for single wiring:	7 pin 000 979 131 000 979 131 A	1 X X	1,0 1,0						
22	8L0 971 971	flat contact housing for single wiring:	7 pin 000 979 135 000 979 227 000 979 407	1 X X X	1,0 2,5 6,0						



Model	Year	MG	SG	Illustration	VIN No.	Update	14:45	18.02.20100		ETKA	
EL	90	9	71	971-15		336					





Pos	Part Number	Name	Remarks	Qty	Model
1	803 971 979	connector housing	7 pin		
		rd. connector sleeve housing		X	1,0
		for single wiring:	000 979 108	X	1,0
			000 979 110	X	2,5
			000 979 208	X	2,5
			000 979 211	X	4,0
2	803 971 980	round connector housing		X	
		for single wiring:	000 979 109	X	1,0
			000 979 111	X	1,0
			000 979 209	X	2,5
			000 979 210	X	2,5
			000 979 304	X	4,0
3	191 972 530	spring contact housing (long)	black	X	
		for single wiring:	000 979 115	X	1,0
4	191 972 530 A	spring contact housing (long)	plain	X	
		for single wiring:	000 979 115	X	1,0
5	191 972 531	spring contact housing (short)	black	X	
		for single wiring:	000 979 115	X	1,0





Pos	Part Number	Name	Remarks	Qty	Model
1	357 035 447	connector housing	8 pin		
		flat contact housing	black	X	
		for single wiring:	000 979 133	X	1,0
			000 979 133 A	X	1,0
2	357 035 447 A	flat contact housing	brown	X	
		for single wiring:	000 979 133	X	1,0
			000 979 133 A	X	1,0
			000 979 217	X	2,5
3	357 919 968 B	flat contact housing with helper contact catch		X	
		for single wiring:	000 979 133	X	1,0
			000 979 133 A	X	1,0
			000 979 217	X	2,5
4	357 947 968	flat contact housing with helper contact catch		X	
		for single wiring:	000 979 133	X	1,0
			000 979 133 A	X	1,0
			000 979 217	X	2,5
5	---	no longer available			
6	171 953 635 A	terminal pin housing		X	
		for single wiring:	000 979 105	X	1,0
7	357 953 968 B	flat contact housing with helper contact catch		X	
		for single wiring:	000 979 133	X	1,0
			000 979 133 A	X	1,0
			000 979 217	X	2,5
8	357 955 968	flat contact housing with helper contact catch		X	
		for single wiring:	000 979 133	X	0,5
			000 979 133 A	X	1,0
			000 979 217	X	2,5
9	281 957 897 A	flat connector housing		X	
		for single wiring:	000 979 133	X	1,0
			000 979 133 A	X	1,0
			000 979 217	X	2,5
10	281 957 897 C	flat connector housing		X	
		for single wiring:	000 979 133	X	1,0
			000 979 133 A	X	1,0
			000 979 217	X	2,5
11	281 957 897 E	flat connector housing		X	
		for single wiring:	000 979 133	X	1,0
			000 979 133 A	X	1,0
			000 979 217	X	2,5

Model	Year	MG	SG	Illustration	VIN No.	Update	14:45	18.02.20100		ETKA	
EL	90	9	71	971-20		336					



Pos	Part Number	Name	Remarks	Qty	Model	Pos	Part Number	Name	Remarks	Qty	Model
12	411 963 367	terminal pin housing for single wiring:	000 979 105 000 979 106 000 979 107 000 979 204 000 979 402	X X X X X	1,0 1,0 1,0 2,5 6,0	23	191 971 999	flat contact housing for single wiring:	000 979 135 000 979 227 000 979 407	X X X	1,0 2,5 6,0
13	321 971 519 A	ground connector	6,3	X		24	321 971 999 A	terminal pin housing for single wiring:	000 979 105 000 979 106 000 979 107 000 979 204 000 979 402	X X X X X	1,0 1,0 1,0 2,5 6,0
14	893 971 832	flat connector housing for single wiring:	000 979 104 000 979 203 000 979 409	X X X	1,0 2,5 6,0	25	867 972 505	terminal pin housing for single wiring:	000 979 107 000 979 204 000 979 402	X X X	1,0 2,5 6,0
15	357 971 968	flat contact housing with helper contact catch for single wiring:	000 979 135 000 979 227 000 979 407	X X X	1,0 2,5 6,0	26	171 972 507	flat contact housing for single wiring:	000 979 133 000 979 133 A 000 979 217	X X X	1,0 1,0 2,5
16	357 971 968 A	flat contact housing with helper contact catch for single wiring:	000 979 135 000 979 227 000 979 407	X X X	1,0 2,5 6,0	27	1H0 972 708	flat contact housing for single wiring:	000 979 133 000 979 133 A 000 979 217	X X X	1,0 1,0 2,5
17	447 971 971	terminal pin housing for single wiring:	000 979 105 000 979 106 000 979 212 000 979 405	X X X X	1,0 1,0 2,5 6,0	(27)	1J0 972 708	flat contact housing for single wiring:	8 pin 000 979 133 000 979 133 A 000 979 133 AB 000 979 225 000 979 225A	1 X X X X X	1,0 1,0 1,0 2,5 2,5
18	811 971 971	flat contact housing for single wiring:	000 979 135 000 979 227 000 979 407	X X X	1,0 2,5 6,0	28	443 972 955	spring contact housing for single wiring:	000 979 116	X X	1,0
19	823 971 971	terminal pin housing for single wiring:	000 979 107 000 979 204 000 979 402	X X X	1,0 2,5 6,0	29	443 972 961 B	flat contact housing for single wiring:	000 979 135 000 979 227 000 979 407	X X X	1,0 2,5 6,0
20	811 971 971 A	terminal pin housing for single wiring:	000 979 105 000 979 106	X X	1,0 1,0	30	443 972 973	flat contact housing for single wiring:	000 979 135 000 979 227 000 979 407	X X X	1,0 2,5 6,0
21	4A0 971 975	flat contact housing for single wiring:	000 979 135 000 979 227 000 979 407	X X X	1,0 2,5 6,0	31	443 972 974	flat contact housing with retainer guide for single wiring:	000 979 135 000 979 227 000 979 407	X X X	1,0 2,5 6,0
22	113 971 998 B	spring contact housing for single wiring:	000 979 204	X X	1,0						

Model	Year	MG	SG	Illustration	VIN No.	Update	14:45	18.02.20100		ETKA	
EL	90	9	71	971-20		336					

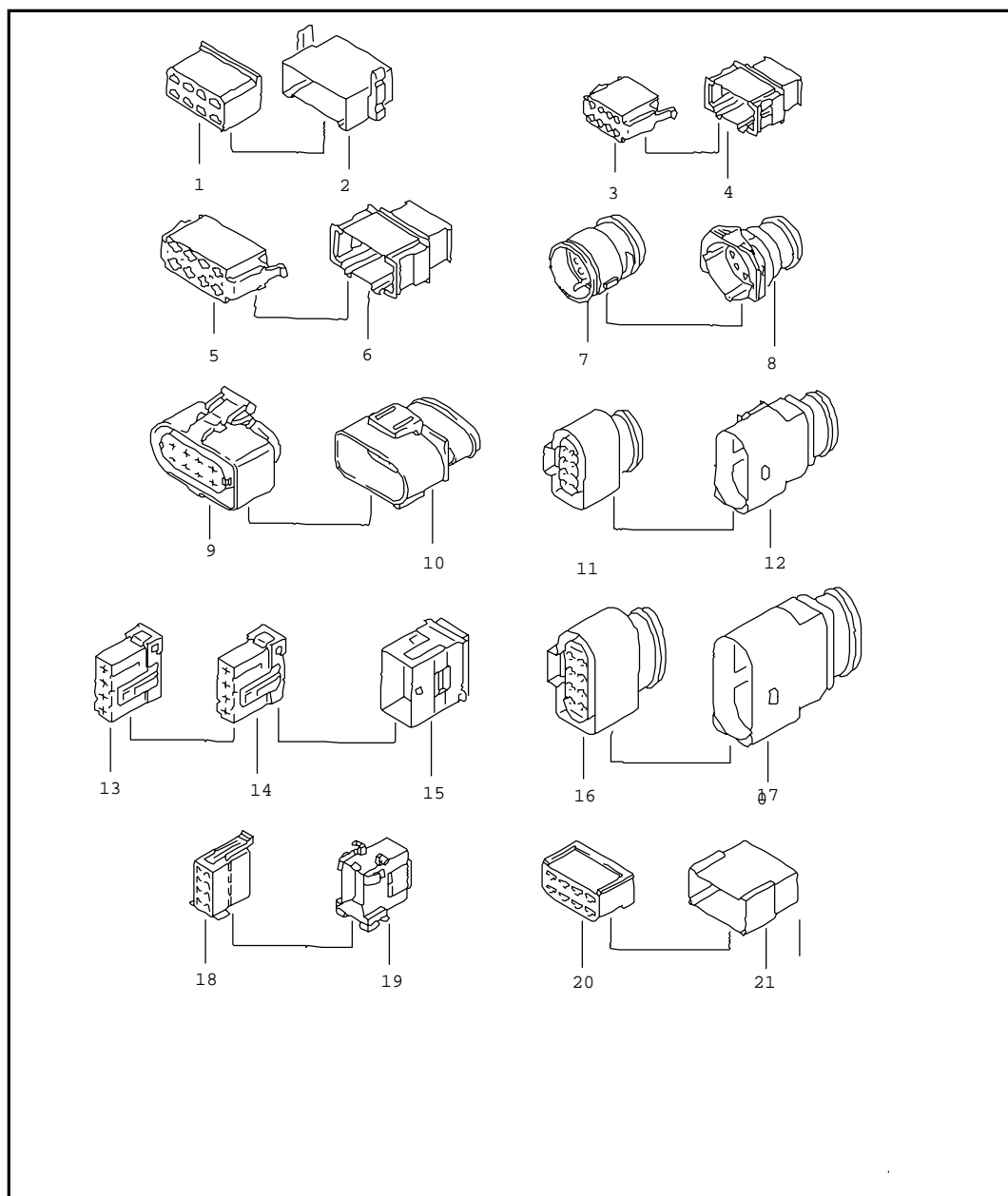
Pos	Part Number	Name	Remarks	Qty	Model	Pos	Part Number	Name	Remarks	Qty	Model
32	443 972 994	flat contact housing for single wiring:	000 979 135 000 979 227 000 979 407	X X X	1,0 2,5 6,0						
33	447 972 994	flat connector housing for single wiring:	000 979 105 000 979 106 000 979 212 000 979 405	X X X X	1,0 1,0 2,5 6,0						
35	191 972 999 A	terminal pin housing for single wiring:	000 979 135 000 979 227 000 979 407	X X X	1,0 2,5 6,0						
36	1H0 972 724	flat contact housing for single wiring:	000 979 133 000 979 133 A 000 979 217	X X X	1,0 1,0 2,5						

Model	Year	MG	SG	Illustration	VIN No.	Update	14:45	18.02.20100		ETKA	
EL	90	9	71	971-21		336					



Pos	Part Number	Name	Remarks	Qty	Model
1	803 971 971	connector housing	8 pin		
		terminal pin housing		X	
		for single wiring:		X	1,0
			000 979 107	X	2,5
			000 979 204	X	6,0
			000 979 402	X	
2	821 971 971 A	flat connector housing		X	
		for single wiring:		X	1,0
				X	2,5
			000 979 107	X	6,0
			000 979 204	X	
			000 979 402	X	
3	1H0 973 208	flat contact housing with gasket		X	
		for single wiring:		X	1,0
			000 979 131	X	1,0
			000 979 131 A	X	
4	3A0 973 714	flat contact housing	8 pin	1	
		for single wiring:		X	1,0
				X	1,0
			000 979 131	X	
			000 979 131 A	X	
5	4A0 973 714 G	flat contact housing	8 pin	1	
		for single wiring:		X	1,0
				X	1,0
			000 979 131	X	
			000 979 131 A	X	
6	2TA 973 118	cylindrical connector with retaining lug	8 pin	1	L 80
7	2D0 971 989 AN	terminal pin housing	8 pin	1	
8	2D0 971 989 BH	round connector housing	8 pin	1	
		for contact:	2D0 972 982 A	X	
9	2D0 971 989 R	flat contact housing	8 pin	1	
10	4A0 972 643 B	flat contact housing	8 pin blue	1	
		for single wiring:	000 979 131	X	1,0
11	1J0 973 714 G	flat contact housing	8 pin grey	1	
		for single wiring:	000 979 131	X	1,0
			000 979 131 A	X	1,0
12	045 973 121	flat contact housing	8 pin	1	
		for single wiring:		X	2,5
				X	2,5
			000 979 225	X	
			000 979 225 A	X	
13	281 957 897 C	flat connector housing	8 pin	X	
		for single wiring:		X	1,0
				X	1,0
				X	2,5
			000 979 133	X	
			000 979 133 A	X	
			000 979 217	X	

Model	Year	MG	SG	Illustration	VIN No.	Update	14:45	18.02.20100		ETKA	
EL	90	9	71	971-21		336					

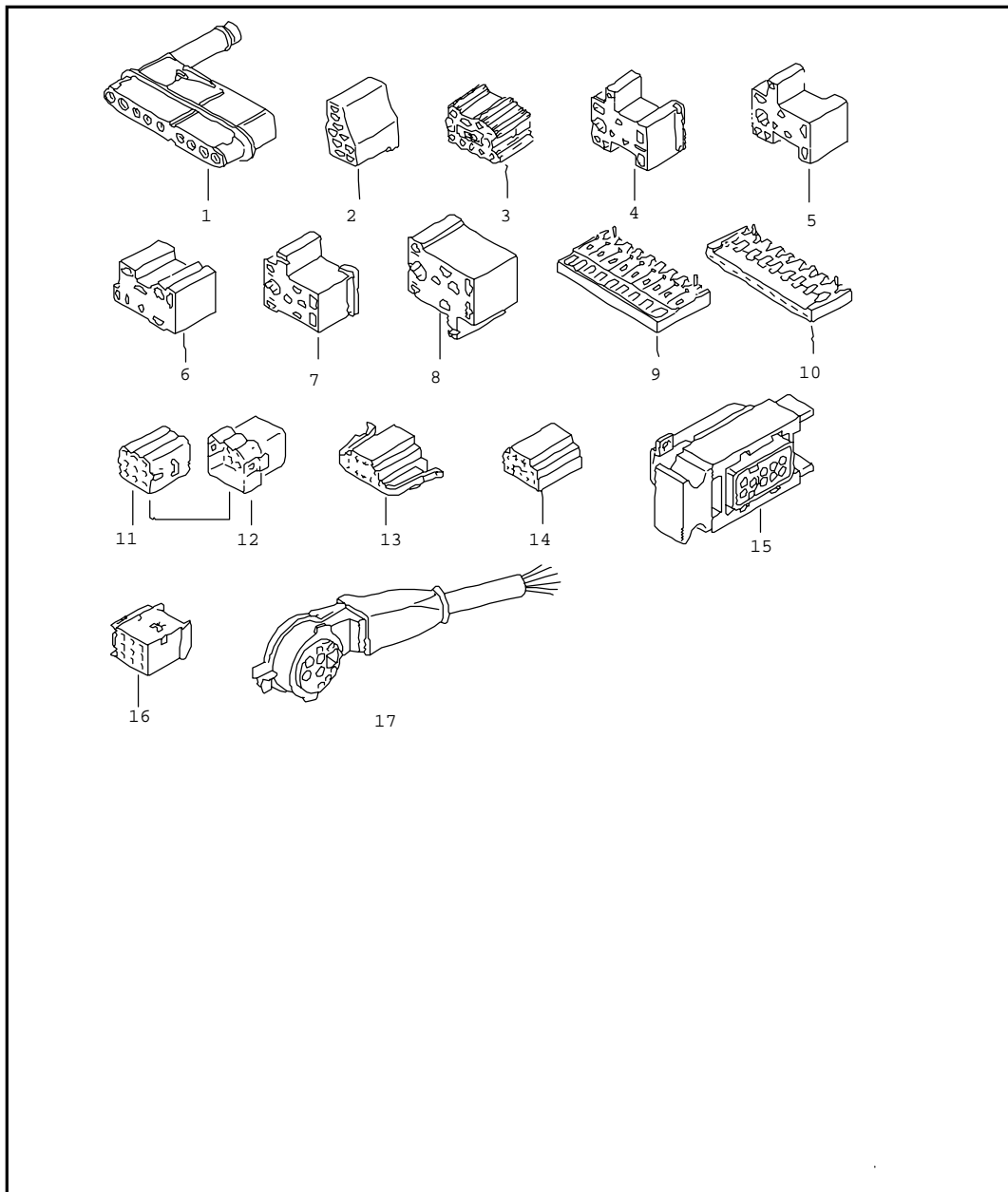
Pos	Part Number	Name	Remarks	Qty	Model	Pos	Part Number	Name	Remarks	Qty	Model
14	8L0 972 974	flat contact housing connecting piece steering col. combi switch for single wiring:	8 pin 000 979 126 000 979 227	1 X X	1,0 2,5						
15	3A0 937 517	junction box	8-pin	X							
16	2D0 971 989 DF	flat contact housing coupling piece loom for cruise control system for contact:	8 pin 2D0 972 982 F	1							
-	6X0 972 928	flat contact housing emergency light switch for single wiring:	8 pin 000 979 133 000 979 133 A 000 979 225 000 979 225 A	1							





Pos	Part Number	Name	Remarks	Qty	Model
1	411 971 971	connector housing	8 pin		
		terminal pin housing		X	
		for single wiring:	000 979 107	X	1,0
			000 979 204	X	2,5
2	411 971 973	flat connector housing		X	
		for single wiring:	000 979 104	X	1,0
			000 979 203	X	2,5
			000 979 409	X	6,0
3	1J0 972 724	flat contact housing with helper contact catch	8 pin black	1	PR-3L4
		for single wiring:	000 979 133	X	1,0
			000 979 133 A	X	1,0
(3)	191 972 724	flat contact housing		X	
		for single wiring:	000 979 133	X	1,0
			000 979 133 A	X	1,0
(3)	3B0 972 724	flat contact housing with helper contact catch	8 pin	1	
		for single wiring:	000 979 131	X	1,0
			000 979 131 A	X	1,0
4	1J0 972 734	flat contact housing	8 pin	1	
		for single wiring:	000 979 134	X	1,0
			000 979 134 A	X	1,0.
(4)	191 972 734	flat contact housing		X	
		for single wiring:	000 979 129	X	1,0
			000 979 219	X	2,5
(4)	3B0 972 734	flat contact housing	8 pin	1	
		for single wiring:	000 979 132	X	1,0
			000 979 132 A	X	1,0
5	1J0 972 774	flat contact housing	8 pin	1	
		for single wiring:	000 979 135	3	1,0
			000 979 227	1	2,5
(5)	191 972 774	flat contact housing		X	
		for single wiring:	000 979 135	X	1,0
			000 979 227	X	2,5
			000 979 407	X	6,0
6	191 972 784	flat contact housing		X	
		for single wiring:	000 979 130	X	1,0
			000 979 219	X	2,5
			000 979 302	X	4,0

Model	Year	MG	SG	Illustration	VIN No.	Update	14:46	18.02.20100		ETKA	
EL	90	9	71	971-30		336					

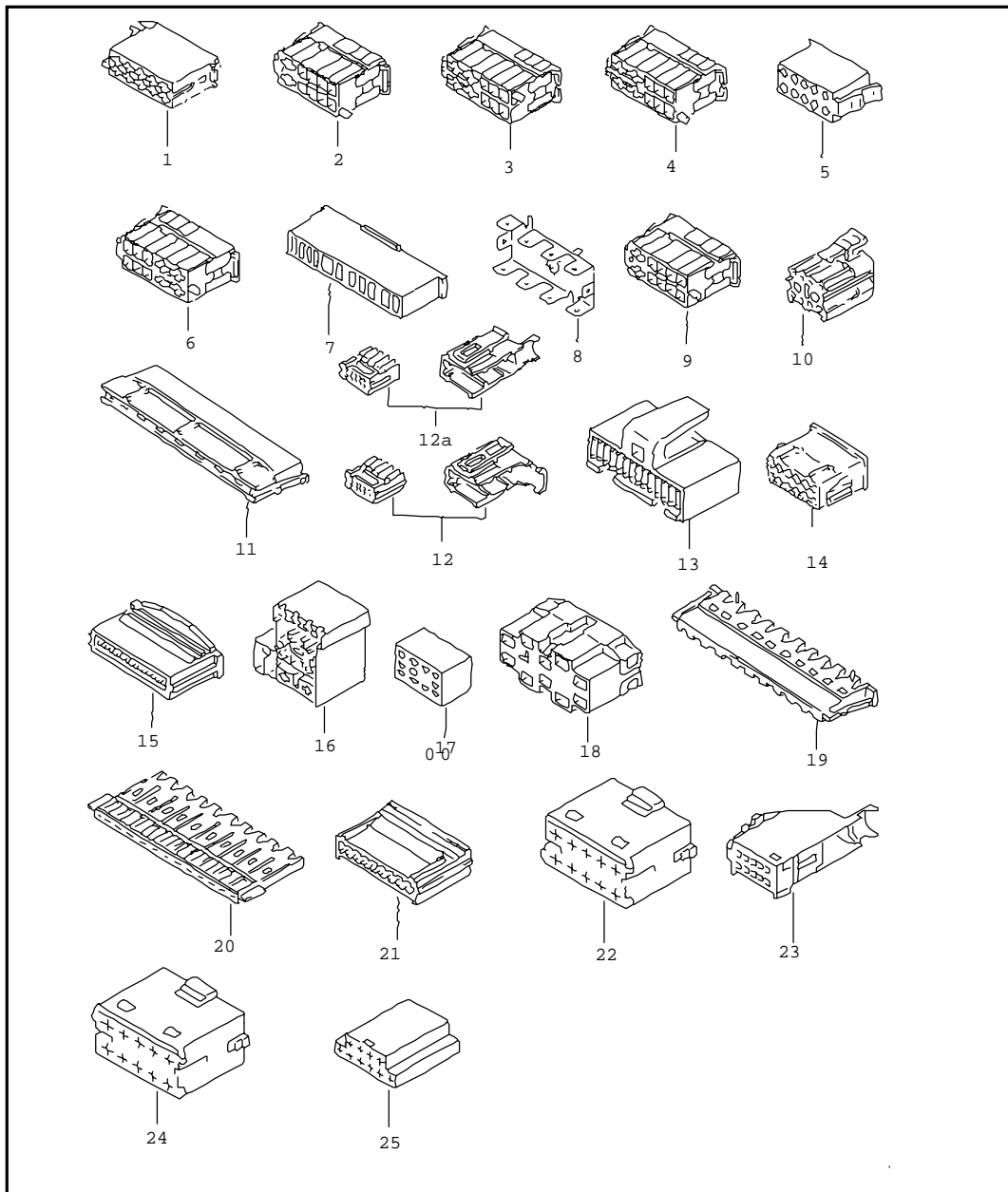
Pos	Part Number	Name	Remarks	Qty	Model	Pos	Part Number	Name	Remarks	Qty	Model
7	443 972 983	round connector housing for single wiring:	000 979 118 000 979 118 A 000 979 215 000 979 215 A	X X X X	1,0 1,0 2,5 2,5	17	8D0 973 834	flat contact housing black for single wiring:	8 pin 000 979 134 000 979 134 A 000 979 226 000 979 226 A	1 X X X X	1,0 1,0 2,5 2,5
8	443 972 984	rd. connector sleeve housing for single wiring:	8 pin 000 979 117 000 979 117 A 000 979 213 000 979 213 A	X X X X X	1,0 1,0 2,5 2,5	18	2D0 971 989 BN	flat contact housing for single wiring:	8 pin 000 979 133 000 979 225	1 X X	1,0 2,5
9	3A0 973 734	flat contact housing for single wiring:	000 979 133 000 979 133 A	X X	1,0 1,0	19	2D0 971 989 CL	flat contact housing connecting piece additional heater for single wiring:	8 pin 000 979 138 000 979 233	1 X X	1,0 2,5
10	3A0 973 834	flat connector housing for single wiring:	000 979 129 000 979 129 A	X X	1,0 1,0	20	2D0 971 989 CA	flat contact housing coupling piece loom for engine compartment for single wiring:	8 pin 000 979 107 000 979 204 000 979 402	1 X X X	1,0 2,5 6,0
11	1J0 973 714	flat contact housing for single wiring:	8 pin 000 979 131 000 979 131 A	1 X X	1,0 1,0	20	2D0 971 989 CA	flat contact housing coupling piece loom for engine compartment for single wiring:	8 pin 000 979 107 000 979 204 000 979 402	1 X X X	1,0 2,5 6,0
12	1J0 973 814	flat contact housing for single wiring:	8 pin 000 979 132 000 979 132 A	1 X X	1,0 1,0	21	2D0 971 989 J	flat contact housing	8 pin	1	
13	3B0 937 713	flat contact housing with helper contact catch as required use: for single wiring:	4 pin black 3B0 937 714 000 979 131 000 979 133 000 979 133 A	1 1 X X X	1,0 1,0 1,0						
14	3B0 937 714	flat contact housing with helper contact catch as required use: for single wiring:	4 pin black 3B0 937 713 000 979 131 000 979 133 000 979 133 A	1 1 X X X	1,0 1,0 1,0						
15	3B0 937 741	flat connector housing with additional contact catch for single wiring:	8 pin black 000 979 134 000 979 134 A 000 979 136 000 979 216 000 979 228	1 X X X X X	1,0 1,0 1,0 2,5 2,5						
16	8D0 973 734	flat contact housing for single wiring:	8 pin black 000 979 133 000 979 133 A 000 979 225 000 979 225 A	1 X X X X	1,0 1,0 2,5 2,5						





Pos	Part Number	Name	Remarks	Qty	Model
1	443 906 365 A	connector housing	9 pin		
		rd. connector sleeve housing		X	
		for contact:	443 972 982 A	X	0,2-1,5
			443 972 982 B	X	2,5-4,0
2	--- --- ---	no longer available		X	
3	857 971 942 E	flat contact housing		X	
		for single wiring:	000 979 133	X	1,0
			000 979 133 A	X	1,0
			000 979 135	X	1,0
			000 979 217	X	2,5
			000 979 227	X	2,5
		000 979 407	X	6,0	
4	155 971 999	terminal pin housing		X	
		for single wiring:	000 979 133	X	1,0
			000 979 133 A	X	1,0
			000 979 135	X	1,0
			000 979 217	X	2,5
			000 979 227	X	2,5
		000 979 407	X	6,0	
5	161 971 999	terminal pin housing		X	
		for single wiring:	000 979 105	X	1,0
			000 979 106	X	1,0
			000 979 107	X	1,0
			000 979 204	X	2,5
		000 979 402	X	6,0	
6	811 972 999	terminal pin housing		X	
		for single wiring:	000 979 105	X	1,0
			000 979 106	X	1,0
			000 979 107	X	1,0
			000 979 204	X	2,5
		000 979 402	X	6,0	
7	867 971 999 A	terminal pin housing		X	
		for single wiring:	000 979 133	X	1,0
			000 979 133 A	X	1,0
			000 979 135	X	1,0
			000 979 217	X	2,5
			000 979 227	X	2,5
		000 979 407	X	6,0	
7	867 971 999 A	terminal pin housing		X	
		for single wiring:	000 979 133	X	1,0
			000 979 133 A	X	1,0
			000 979 135	X	1,0
			000 979 217	X	2,5
			000 979 227	X	2,5
		000 979 407	X	6,0	

Model	Year	MG	SG	Illustration	VIN No.	Update	14:46	18.02.20100		ETKA	
EL	90	9	71	971-35		336					

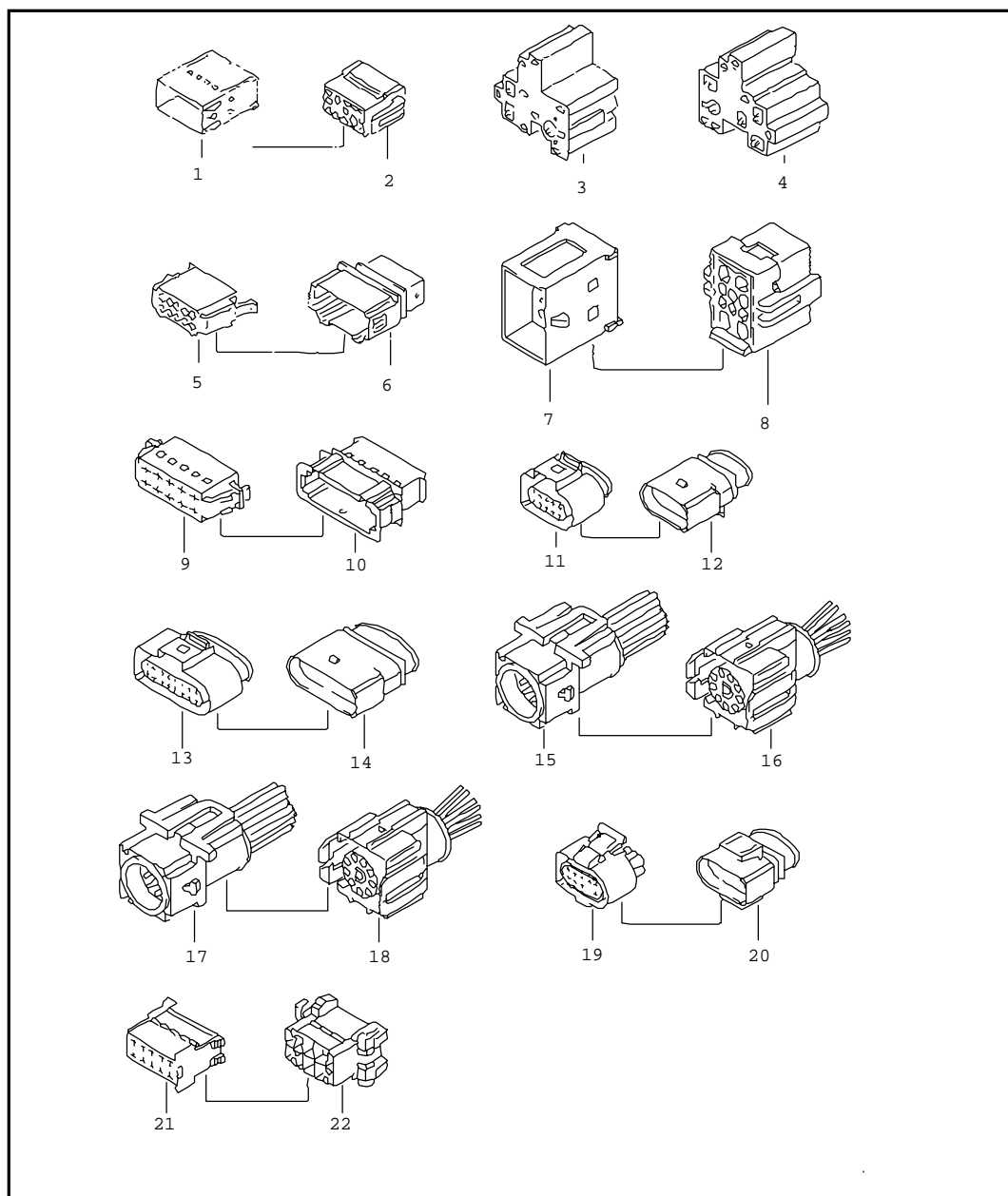
Pos	Part Number	Name	Remarks	Qty	Model	Pos	Part Number	Name	Remarks	Qty	Model
8	251 971 999 B	terminal pin housing for single wiring:	000 979 105 000 979 106 000 979 107 000 979 204 000 979 402	X X X X X	1,0 1,0 2,5 2,5 6,0						
9	191 972 550	spring contact housing (long) for single wiring:	black 000 979 115	X X	1,0						
10	191 972 551	spring contact housing (short) for single wiring:	black 000 979 115	X X	1,0						
11	433 959 771	rd. connector sleeve housing for single wiring:	000 979 110 000 979 211 000 979 305	X X X	1,0 2,5 4,0						
12	433 959 772	round connector housing for single wiring:	000 979 111 000 979 210 000 979 304	X X X	1,0 2,5 4,0						
13	1H4 972 709	flat contact housing for single wiring:	000 979 133 000 979 133 A 000 979 217	X X X	1,0 1,0 2,5						
14	3A0 972 709	flat contact housing for single wiring:	9 pin 000 979 133 000 979 133 A 000 979 217	1 X X X	1,0 1,0 2,5						
15	4B0 972 709	rd. connector sleeve housing for single wiring:	9 pin 000 979 128 000 979 221	X X X	1,0 2,5						
16	4B0 906 971	flat contact housing for single wiring:	9 pin black 000 979 133 000 979 225	1 X X	1,0 2,5						
17	2D0 971 989 CM	flat contact housing connecting piece starter inhibitor switch for contact:	9 pin	1							





Pos	Part Number	Name	Remarks	Qty	Model
1	357 035 447 B	connector housing	10 pin		
		flat contact housing	red	X	
		for single wiring:	000 979 133	X	1,0
			000 979 133 A	X	1,0
2	357 903 968	flat contact housing with helper contact catch		X	
		for single wiring:	000 979 133	X	1,0
			000 979 133 A	X	1,0
			000 979 135	X	1,0
			000 979 217	X	2,5
			000 979 227	X	2,5
3	357 953 968	flat contact housing with helper contact catch		X	
		for single wiring:	000 979 133	X	1,0
			000 979 133 A	X	1,0
			000 979 135	X	1,0
			000 979 217	X	2,5
			000 979 227	X	2,5
4	357 953 968 A	flat contact housing with helper contact catch		X	
		for single wiring:	000 979 133	X	1,0
			000 979 133 A	X	1,0
			000 979 135	X	1,0
			000 979 217	X	2,5
			000 979 227	X	2,5
5	357 959 869 A	flat contact housing		X	
		for single wiring:	000 979 133	X	1,0
			000 979 133 A	X	1,0
			000 979 217	X	2,5
6	357 959 968 A	flat contact housing with helper contact catch		X	
		for single wiring:	000 979 133	X	1,0
			000 979 133 A	X	1,0
			000 979 135	X	1,0
			000 979 217	X	2,5
			000 979 227	X	2,5
7	411 963 365 A	terminal pin housing		X	
		for single wiring:	000 979 105	X	1,0
			000 979 106	X	1,0
			000 979 107	X	1,0
			000 979 204	X	2,5
			000 979 402	X	6,0

Model	Year	MG	SG	Illustration	VIN No.	Update	14:46	18.02.20100		ETKA	
EL	90	9	71	971-40		336					



Pos	Part Number	Name	Remarks	Qty	Model	Pos	Part Number	Name	Remarks	Qty	Model
8	191 971 519	ground connector	6,3 10 point	X		19	811 972 534 H	spring contact housing (short) for single wiring:	000 979 115	X X	1,0
9	357 971 968 C	flat contact housing with helper contact catch for single wiring:	000 979 133 000 979 133 A 000 979 135 000 979 217 000 979 227 000 979 407	X X X X X X	1,0 1,0 1,0 2,5 2,5 6,0	20	811 972 538 H	spring contact housing (long) for single wiring:	000 979 115	X X	1,0
10	171 971 971 T	rd. connector sleeve housing for single wiring:	yellow 000 979 108 000 979 110 000 979 208 000 979 211 000 979 305	X X X X X X	1,0 1,0 2,5 2,5 4,0	21	443 972 956	spring contact housing for single wiring:	000 979 116	X X	1,0
11	811 971 977	flat contact housing for single wiring:	000 979 135 000 979 227 000 979 407	X X X	1,0 2,5 6,0	22	2D0 971 989 AJ	flat contact housing switch for power take-off for single wiring:	000 979 126 000 979 133 000 979 217 000 979 225	X X X X	1,0 1,0 2,5 2,5
12	443 971 980 B	flat contact housing with cap for single wiring:	black 000 979 003 A	X X	0,5	23	8L0 972 980	flat contact housing with helper contact catch for single wiring:	000 979 003 A	X	0,5
12A	8D0 972 980	flat contact housing with cap for single wiring:	10 pin black 000 979 003 A	1 X	0,5	24	2D0 971 989 AH	flat contact housing switch rotating warning light for single wiring:	000 979 217	X	2,5
13	443 971 983	spring contact housing for contact:	443 971 937 A	X X	0,5-1,5	25	7M0 972 710	flat contact housing for single wiring:	10 pin 000 979 131	1 X	1,0
14	893 971 983	flat contact housing for single wiring:	000 979 133 000 979 133 A 000 979 217	X X X	1,0 1,0 2,5						
15	113 971 998 A	spring contact housing for single wiring:	000 979 102	X X	1,0						
16	---	no longer available		X							
17	823 971 999	terminal pin housing for single wiring:	000 979 105 000 979 106 000 979 107	X X X	1,0 1,0 1,0						
18	191 971 999 C	flat contact housing for single wiring:	000 979 135 000 979 227 000 979 407	X X X	1,0 2,5 6,0						





Pos	Part Number	Name	Remarks	Qty	Model
1	893 971 977	connector housing	10 pin		
		flat connector housing		X	
		for single wiring:	000 979 103	X	1,0
			000 979 104	X	1,0
			000 979 203	X	2,5
2	893 971 982	terminal pin housing		X	
		for single wiring:	000 979 133	X	1,0
			000 979 133 A	X	1,0
			000 979 135	X	1,0
			000 979 217	X	2,5
3	251 971 999 C	terminal pin housing		X	
		for single wiring:	000 979 133	X	1,0
			000 979 133 A	X	1,0
			000 979 135	X	1,0
			000 979 217	X	2,5
4	867 971 999 C	terminal pin housing		X	
		for single wiring:	000 979 133	X	1,0
			000 979 133 A	X	1,0
			000 979 135	X	1,0
			000 979 217	X	2,5
5	1J0 972 725	terminal pin housing	10 pin	1	
		for single wiring:	000 979 133	X	1,0
			000 979 133 A	X	1,0
			000 979 225	X	2,5
(5)	191 972 725	terminal pin housing		X	
		for single wiring:	000 979 133	X	1,0
			000 979 133 A	X	1,0
6	191 972 735	terminal pin housing		X	
		for single wiring:	000 979 105	X	1,0
			000 979 106	X	1,0
6	191 972 735	terminal pin housing		X	
		for single wiring:	000 979 105	X	1,0
			000 979 106	X	1,0
7	8A0 972 985	round connector housing		X	
		for single wiring:	000 979 118	X	1,0
			000 979 119	X	1,0
			000 979 123	X	1,0
			000 979 215	X	2,5

Model	Year	MG	SG	Illustration	VIN No.	Update	14:46	18.02.20100		ETKA	
EL	90	9	71	971-45		336					

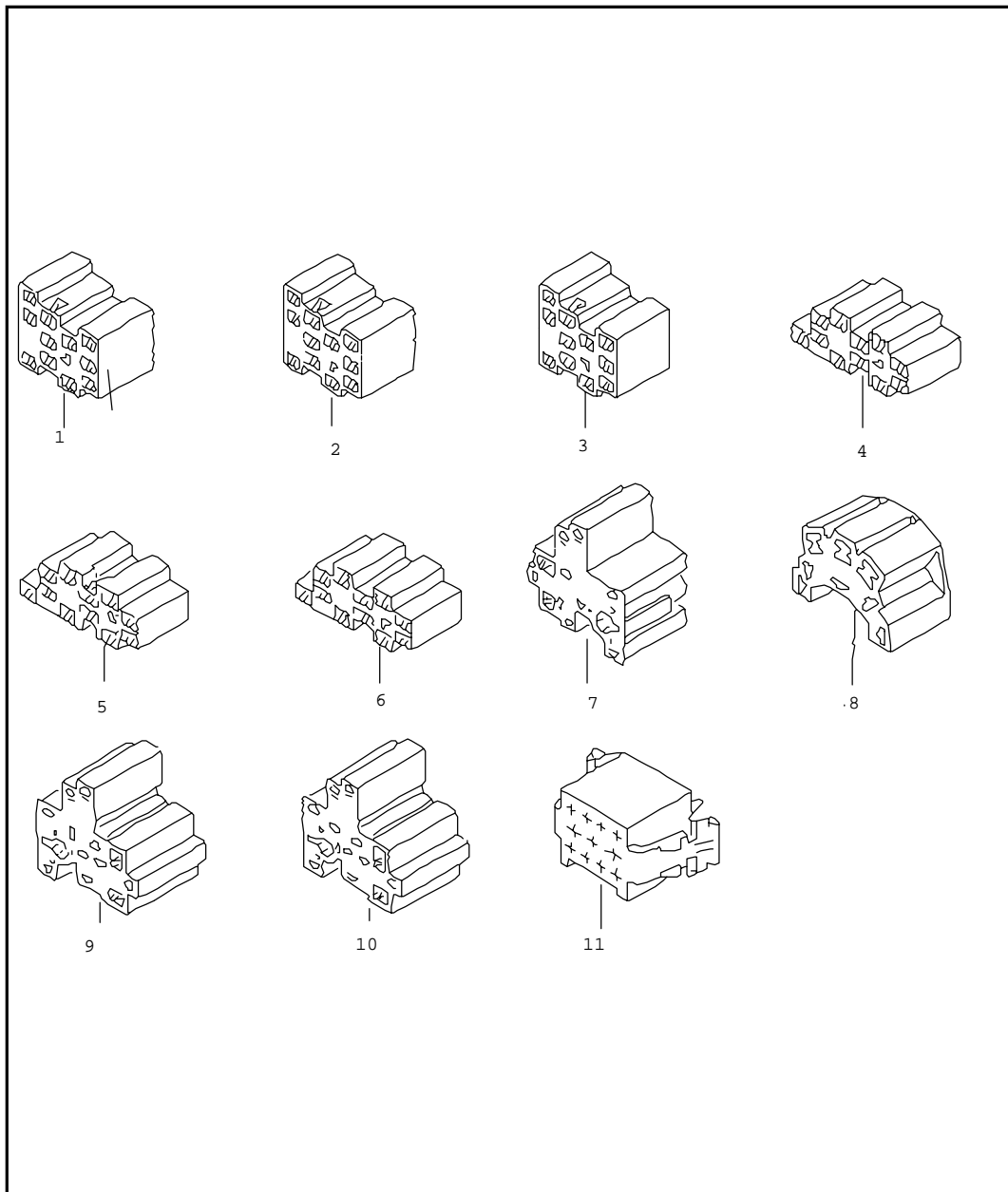
Pos	Part Number	Name	Remarks	Qty	Model	Pos	Part Number	Name	Remarks	Qty	Model
8	8A0 972 986	rd. connector sleeve housing for single wiring:	000 979 117 000 979 122 000 979 213	X X X	1,0 1,0 2,5				000 979 131 A 000 979 133 000 979 133 A 000 979 225 000 979 225 A 000 979 227	X X X X X X	1,0 1,0 1,0 2,5 2,5 2,5
(7)	1J0 937 733	flat contact housing with helper contact catch to be used for:	10 pin black violet green	1					000 979 131 000 979 131 A 000 979 133 000 979 133 A 000 979 225 000 979 225 A 000 979 227	X X X X X X X	1,0 1,0 1,0 1,0 2,5 2,5 2,5
(8)	1J0 937 743	flat connector housing with additional contact catch to be used for:	10 pin black violet green	1		(8)	1J0 937 743 A	flat connector housing with additional contact catch to be used for:	10 pin brown grey	1	
		for single wiring:	000 979 132 000 979 132 A 000 979 134 000 979 134 A 000 979 226 000 979 226 A 000 979 228	X X X X X X X	1,0 1,0 1,0 1,0 2,5 2,5 2,5			for single wiring:	000 979 132 000 979 132 A 000 979 134 000 979 134 A 000 979 226 000 979 226 A 000 979 228	X X X X X X X	1,0 1,0 1,0 1,0 2,5 2,5 2,5
(7)	1J0 937 733 A	flat contact housing with helper contact catch to be used for:	10 pin brown grey	1		(7)	1J0 937 733 B	flat contact housing with helper contact catch to be used for:	10 pin red light green white	1	
		for single wiring:	000 979 131 000 979 131 A 000 979 133 000 979 133 A 000 979 225 000 979 225 A 000 979 227	X X X X X X X	1,0 1,0 1,0 1,0 2,5 2,5 2,5	(8)	1J0 937 743 B	flat connector housing with	10 pin	1	

Model	Year	MG	SG	Illustration	VIN No.	Update	14:46	18.02.20100		ETKA	
EL	90	9	71	971-45		336					



Pos	Part Number	Name	Remarks	Qty	Model	Pos	Part Number	Name	Remarks	Qty	Model
		additional contact catch	red						000 979 133	X	1,0
		to be used for:	light green						000 979 133 A	X	1,0
			white						000 979 225	X	2,5
		for single wiring:	000 979 132	X	1,0				000 979 225 A	X	2,5
			000 979 132 A	X	1,0				000 979 227	X	2,5
			000 979 134	X	1,0	(8)	1J0 937 743 D	flat connector housing with	10 pin		1
			000 979 134 A	X	1,0			additional contact catch	blue		
			000 979 226	X	2,5			to be used for:	dark brown		
			000 979 226 A	X	2,5				light pink		
			000 979 228	X	2,5				orange		
(8)	1J0 937 743 B	flat connector housing with	10 pin	1				for single wiring:	000 979 132	X	1,0
		additional contact catch	red						000 979 132 A	X	1,0
		to be used for:	light green						000 979 134	X	1,0
			white						000 979 134 A	X	1,0
		for single wiring:	000 979 132	X	1,0				000 979 226	X	2,5
			000 979 132 A	X	1,0				000 979 226 A	X	2,5
			000 979 134	X	1,0				000 979 228	X	2,5
			000 979 134 A	X	1,0	9	1J0 972 775	flat contact housing	10 pin		1
			000 979 226	X	2,5			for single wiring:	000 979 135	X	1,0
			000 979 226 A	X	2,5				000 979 227	X	2,5
			000 979 228	X	2,5	(9)	7D0 972 775	flat contact housing	10 pin		1
			000 979 228	X	2,5			for single wiring:	000 979 133		1,0
									000 979 133 A		1,0
									000 979 133 AB		1,0
									000 979 225		2,5
									000 979 225 A		2,5
(7)	1J0 937 733 D	flat contact housing with	10 pin	1							
		helper contact catch	blue			10	1J0 972 785	flat contact housing	10 pin		1
		to be used for:	dark brown					for single wiring:	000 979 136	X	1,0
			light pink						000 979 228	X	2,5
			orange			11	1J0 973 715	flat contact housing	10 pin		1
		for single wiring:	000 979 131	X	1,0			for single wiring:	000 979 131	X	1,0
			000 979 131 A	X	1,0				000 979 131 A	X	1,0
						12	6X0 973 815	flat contact housing	10 pin		1
								for single wiring:	000 979 132	X	1,0
									000 979 132 A	X	1,0

Model	Year	MG	SG	Illustration	VIN No.	Update	14:46	18.02.20100		ETKA	
EL	90	9	71	971-45		336					

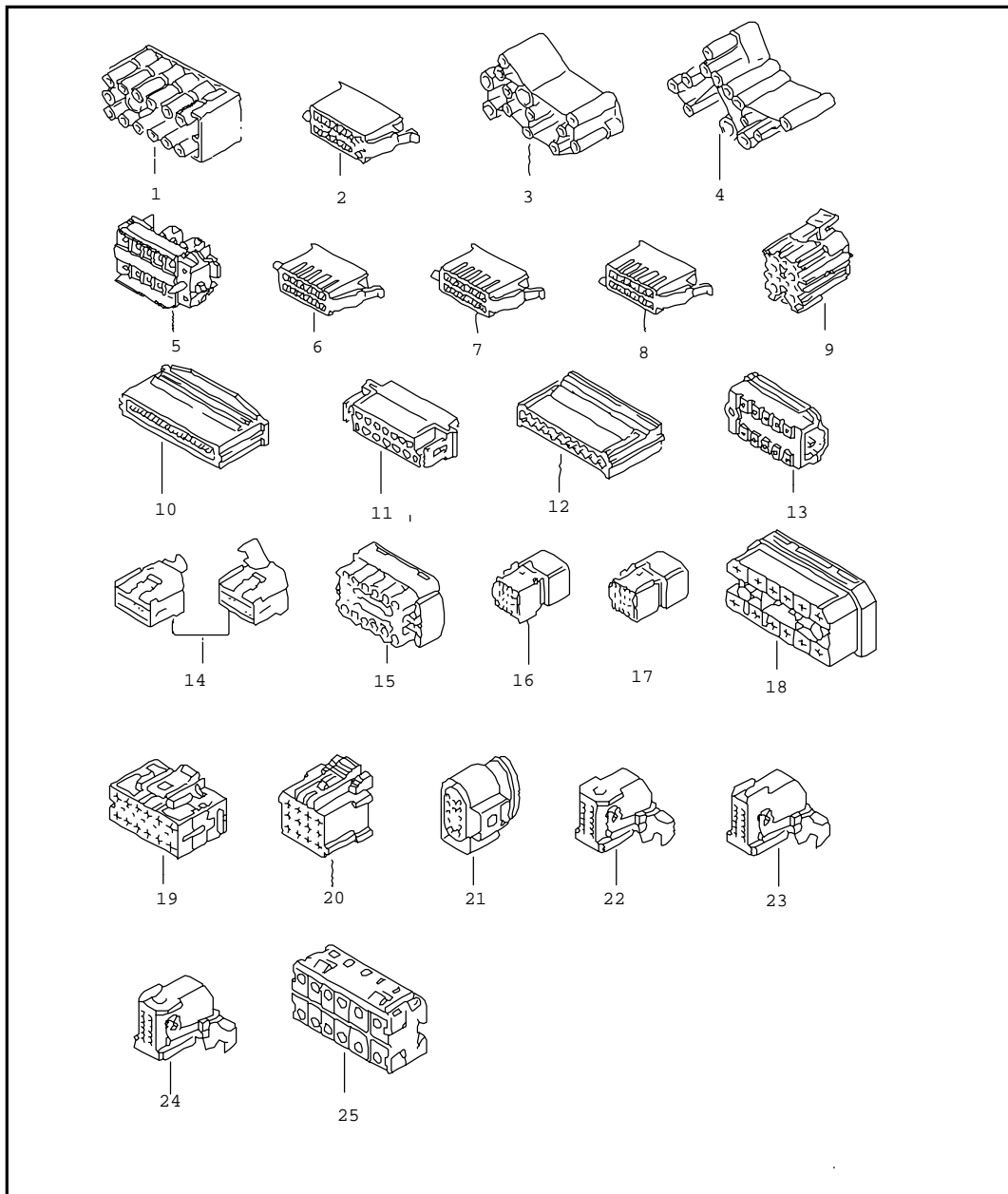
Pos	Part Number	Name	Remarks	Qty	Model	Pos	Part Number	Name	Remarks	Qty	Model
13	1J0 973 735	flat contact housing for single wiring:	10 pin 000 979 131 000 979 133 000 979 133 A 000 979 225 000 979 225 A	1 X 1,0 X 1,0 X 1,0 X 2,5 X 2,5							
14	1J0 973 835	flat contact housing for single wiring:	10 pin 000 979 134 000 979 136 000 979 225	1 X 1,0 X 1,0 X 2,5							
15	2TA 973 110	round connector housing	10 pin white	1 L 80							
16	2TA 973 120 A	cylindrical connector with retaining lug	10 pin white	1 L 80							
17	2TA 973 110 A	round connector housing	10 pin black	1 L 80							
18	2TA 973 120	cylindrical connector with retaining lug	10 pin black	1 L 80							
19	3A0 973 715	flat contact housing for single wiring:	000 979 131 000 979 131 A	X X 1,0 X 1,0							
20	3A0 973 815	flat contact housing for single wiring:	10 pin 000 979 132	1 X 1,0							
21	2D0 971 989 BP	flat contact housing for single wiring:	10 pin 000 979 133 000 979 225	1 X 1,0 X 2,5							
22	2D0 971 989 DG	flat contact housing for single wiring:	10 pin 000 979 134 000 979 226	1 X 1,0 X 2,5							





Pos	Part Number	Name	Remarks	Qty	Model
		connector housing	11 pin		
1	357 971 999 B	flat contact housing for single wiring:	000 979 135 000 979 227 000 979 407	X X X	1,0 2,5 6,0
2	357 971 999 C	flat contact housing for single wiring:	000 979 135 000 979 227 000 979 407	X X X	1,0 2,5 6,0
3	357 971 999 D	flat contact housing for single wiring:	000 979 135 000 979 227 000 979 407	X X X	1,0 2,5 6,0
4	535 971 999	terminal pin housing for single wiring:	000 979 135 000 979 227 000 979 407	X X X	1,0 2,5 6,0
5	535 971 999 A	terminal pin housing for single wiring:	000 979 135 000 979 227 000 979 407	X X X	1,0 2,5 6,0
6	535 971 999 B	terminal pin housing for single wiring:	000 979 135 000 979 227 000 979 407	X X X	1,0 2,5 6,0
7	251 971 999 D	terminal pin housing for single wiring:	000 979 133 000 979 133 A 000 979 135 000 979 217 000 979 227 000 979 407	X X X X X X	1,0 1,0 1,0 2,5 2,5 6,0
8	823 972 999	terminal pin housing for single wiring:	000 979 107 000 979 204 000 979 402	X X X	1,0 2,5 6,0
9	867 971 999 B	terminal pin housing for single wiring:	000 979 133 000 979 133 A 000 979 135 000 979 217 000 979 227 000 979 407	X X X X X X	1,0 1,0 1,0 2,5 2,5 6,0

Model	Year	MG	SG	Illustration	VIN No.	Update	14:48	18.02.20100		ETKA	
EL	90	9	71	971-50		336					



Pos	Part Number	Name	Remarks	Qty	Model	Pos	Part Number	Name	Remarks	Qty	Model
10	867 971 999 D	terminal pin housing for single wiring:	000 979 133 000 979 133 A 000 979 135 000 979 217 000 979 227 000 979 407	X X X X X X	1,0 1,0 1,0 2,5 2,5 6,0						
11	7M0 953 631	flat contact housing for single wiring:	11 pin 000 979 133 000 979 133 A 000 979 225 000 979 225 A	1 X X X X	1,0 1,0 2,5 2,5						

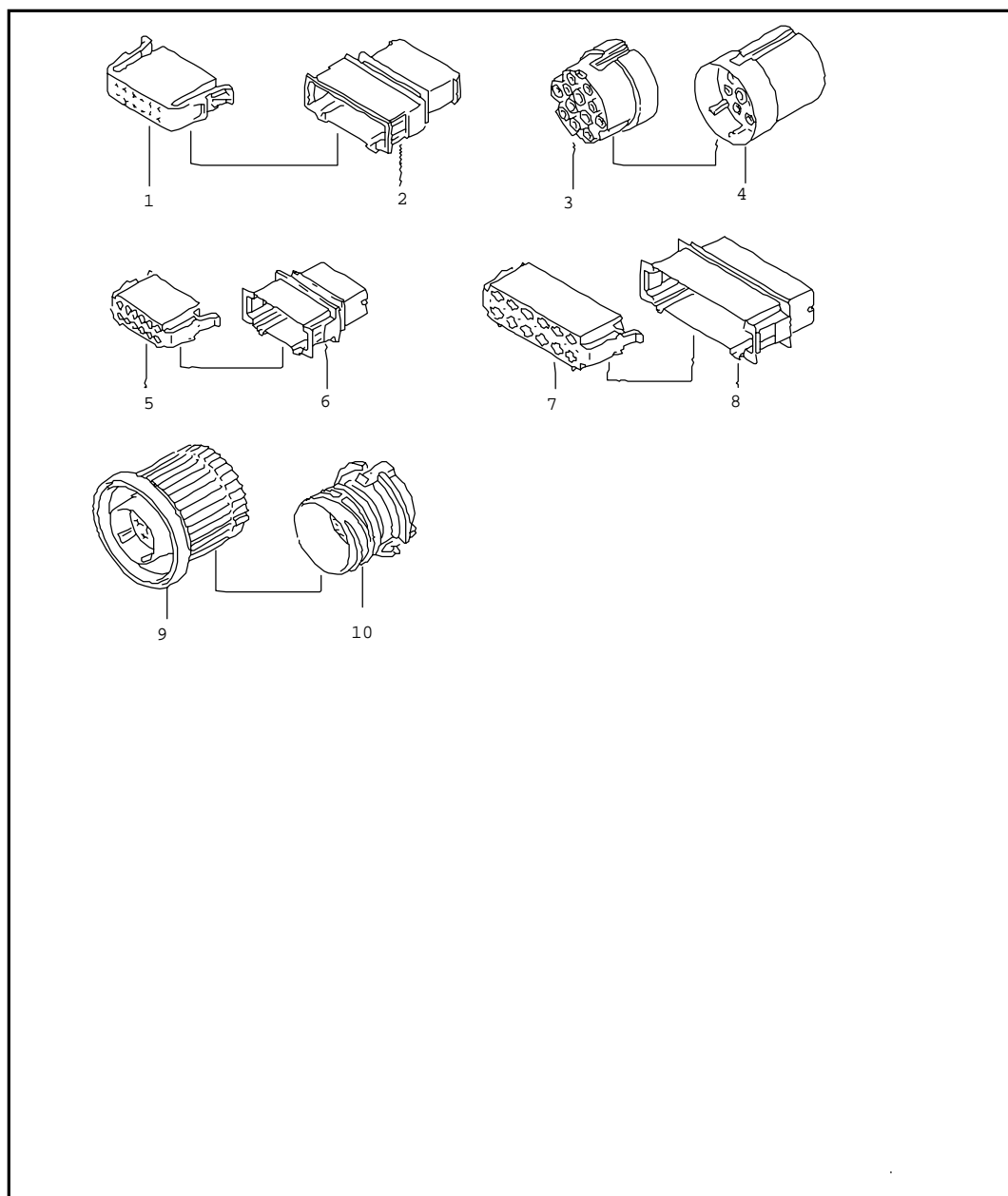


Pos	Part Number	Name	Remarks	Qty	Model
1	---	connector housing no longer available for single wiring:	12 pin 000 979 108 000 979 208	X X X	1,0 2,5
2	357 945 968	flat contact housing with helper contact catch for single wiring:	000 979 133 000 979 133 A 000 979 135 000 979 217 000 979 227 000 979 407	X X X X X X	1,0 1,0 1,0 2,5 2,5 6,0
3	431 953 525	rd. connector sleeve housing for single wiring:	000 979 108 000 979 110 000 979 208 000 979 211 000 979 305	X X X X X	1,0 1,0 2,5 2,5 4,0
4	---	no longer available for single wiring:	000 979 108 000 979 110 000 979 208 000 979 211 000 979 305	X X X X X	1,0 1,0 2,5 2,5 4,0
5	251 963 098	round connector housing		X	
6	357 971 967	flat contact housing with helper contact catch for single wiring:	000 979 133 000 979 133 A 000 979 217	X X X	1,0 1,0 2,5
7	357 971 967 A	flat contact housing with helper contact catch for single wiring:	000 979 133 000 979 133 A 000 979 217	X X X	1,0 1,0 2,5
8	357 971 968 B	flat contact housing with helper contact catch for single wiring:	000 979 133 000 979 133 A 000 979 217	X X X	1,0 1,0 2,5
9	171 971 971 S	rd. connector sleeve housing for single wiring:	yellow 000 979 108 000 979 110 000 979 208 000 979 211 000 979 305	X X X X X X	1,0 1,0 2,5 2,5 4,0



Model	Year	MG	SG	Illustration	VIN No.	Update	14:48	18.02.20100		ETKA	
EL	90	9	71	971-60		336					

Pos	Part Number	Name	Remarks	Qty	Model	Pos	Part Number	Name	Remarks	Qty	Model
10	171 971 998 L	spring contact housing for single wiring:	000 979 102	X X	1,0	21	8L0 972 710	flat contact housing with helper contact catch for single wiring:	12 pin 000 979 131 000 979 131 A 000 979 133 000 979 133 A 000 979 225 000 979 225 A	1 X X X X X	1,0 1,0 1,0 1,0 2,5 2,5
11	443 972 523 A	terminal pin housing for single wiring:	000 979 133 000 979 133 A 000 979 217	X X X	1,0 1,0 2,5	22	2D0 972 883	flat contact housing with cap for single wiring:	12 pin black	1	
12	443 972 957	spring contact housing for single wiring:	000 979 116	X	1,0	23	2D0 972 883 A	flat contact housing with cap for single wiring:	12 pin black/white	1	
13	443 972 918 A	rd. connector sleeve housing for contact:	443 972 982 D	X X		24	2D0 972 883 B	flat contact housing with cap for single wiring:	12 pin black/blue	1	
14	4A0 972 883	flat contact housing for single wiring:	000 979 003 A	X X	0,5	25	2D0 971 989 CG	flat contact housing for contact:	12 pin 2D0 972 982 F	1	
15	701 972 961	rd. connector sleeve housing for single wiring:	000 979 128 000 979 221	X X	1,0 2,5	-	1J0 941 165	flat contact housing for single wiring:	12 pin 000 979 131 000 979 131 A 000 979 225 000 979 225 A	1 X X X X	1,0 1,0 2,5 2,5
16	4A0 972 805 B	flat contact housing with cap connecting piece electronic control unit for single wiring:	12 pin black E 000 979 006 000 979 121 000 979 223	X X X	0,5 1,0 1,5	-	8D0 972 712	flat connector housing interior light for single wiring:	12 pin 000 979 003	1 X	0,5
17	4A0 972 805 C	flat contact housing with cap connecting piece electronic control unit for single wiring:	12 pin brown D 000 979 006 000 979 121 000 979 223	X X X	0,5 1,0 1,5						
18	8L0 971 978	flat connector housing for single wiring:	12 pin 000 979 126 000 979 135 000 979 227	X X X	1,0 1,0 2,5						
19	4B0 973 721	flat contact housing for single wiring:	12 pin 000 979 133 000 979 225 000 979 227	X X X	1,0 2,5 2,5						
20	7D0 963 997	flat contact housing control unit for anti-theft device for single wiring:	12 pin 000 979 133 000 979 133 A 000 979 225 000 979 225 A	X X X X	1,0 1,0 2,5 2,5						



Model	Year	MG	SG	Illustration	VIN No.	Update	14:48	18.02.20100		ETKA	
EL	90	9	71	971-65		336					

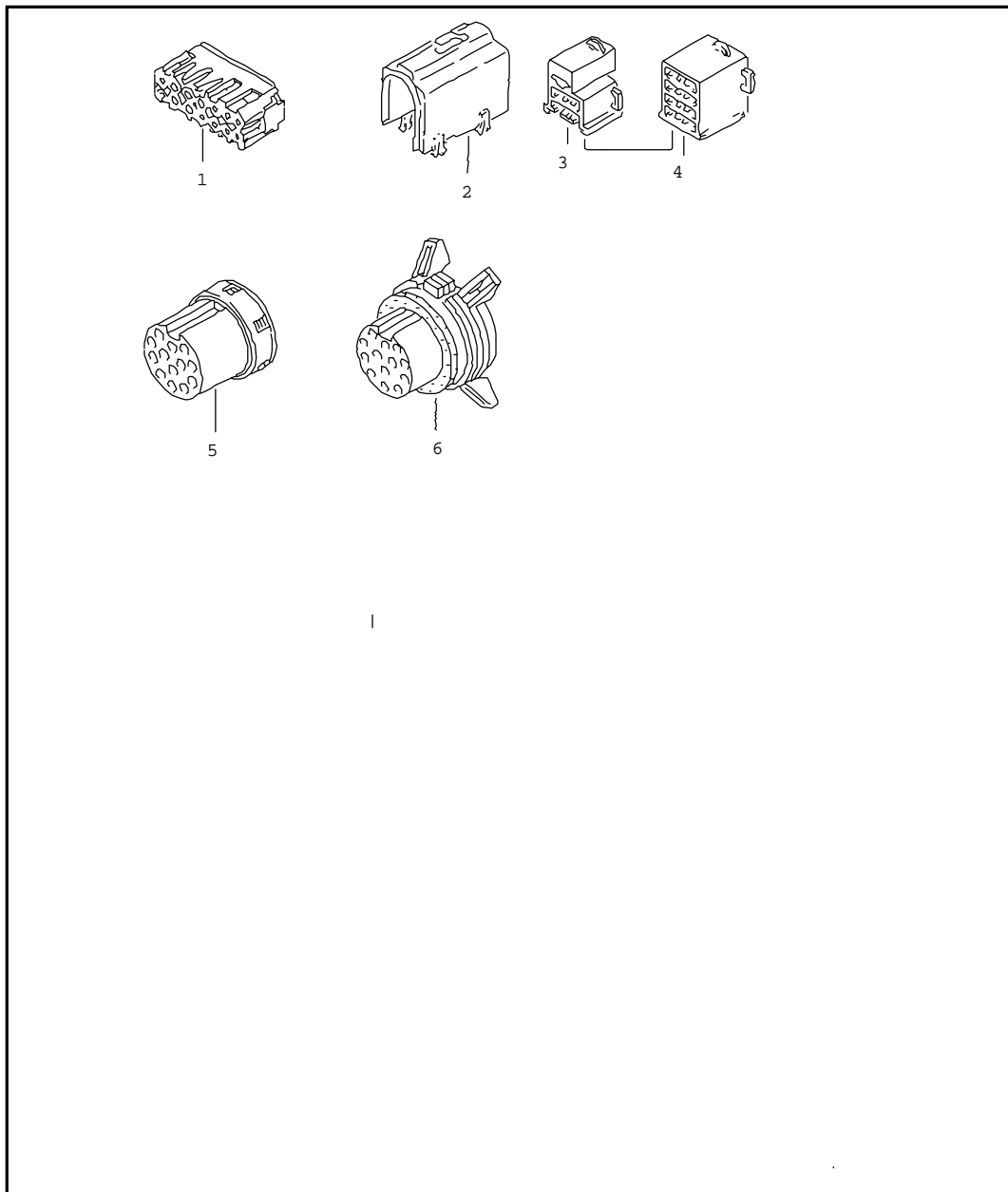


Pos	Part Number	Name	Remarks	Qty	Model
		connector housing	12 pin		
1	3B0 972 726	flat contact housing	12 pin	1	
		for single wiring:	000 979 131	X 1,0	
			000 979 131 A	X 1,0	
(1)	535 972 726	flat contact housing	12 pin	1	
		for single wiring:	000 979 131	X 1,0	
			000 979 131 A	X 1,0	
2	3B0 972 736	flat contact housing	12 pin	1	
		for single wiring:	000 979 132	X 1,0	
			000 979 132 A	X 1,0	
(2)	535 972 736	flat contact housing	12 pin	X	
		for single wiring:	000 979 132	X 1,0	
			000 979 132 A	X 1,0	
3	861 972 523	rd. connector sleeve housing		X	
		for single wiring:	000 979 108	X 1,0	
			000 979 110	X 1,0	
			000 979 208	X 2,5	
			000 979 211	X 2,5	
			000 979 305	X 4,0	
4	861 972 524	round connector housing		X	
		for single wiring:	000 979 109	X 1,0	
			000 979 111	X 1,0	
			000 979 209	X 2,5	
			000 979 210	X 2,5	
			000 979 304	X 4,0	
5	1J0 972 726	flat contact housing with helper contact catch	12 pin black	1	PR-3L4
		for single wiring:	000 979 133	X 1,0	
			000 979 133 A	X 1,0	
(5)	191 972 726	terminal pin housing		X	
		for single wiring:	000 979 133	X 1,0	
			000 979 133 A	X 1,0	
			000 979 217	X 2,5	
6	191 972 736	terminal pin housing		X	
		for single wiring:	000 979 129	X 1,0	
			000 979 219	X 2,5	
6	191 972 736	terminal pin housing		X	
		for single wiring:	000 979 129	X 1,0	
			000 979 219	X 2,5	
7	191 972 776	flat contact housing		X	
		for single wiring:	000 979 135	X 1,0	
			000 979 227	X 2,5	
			000 979 407	X 6,0	

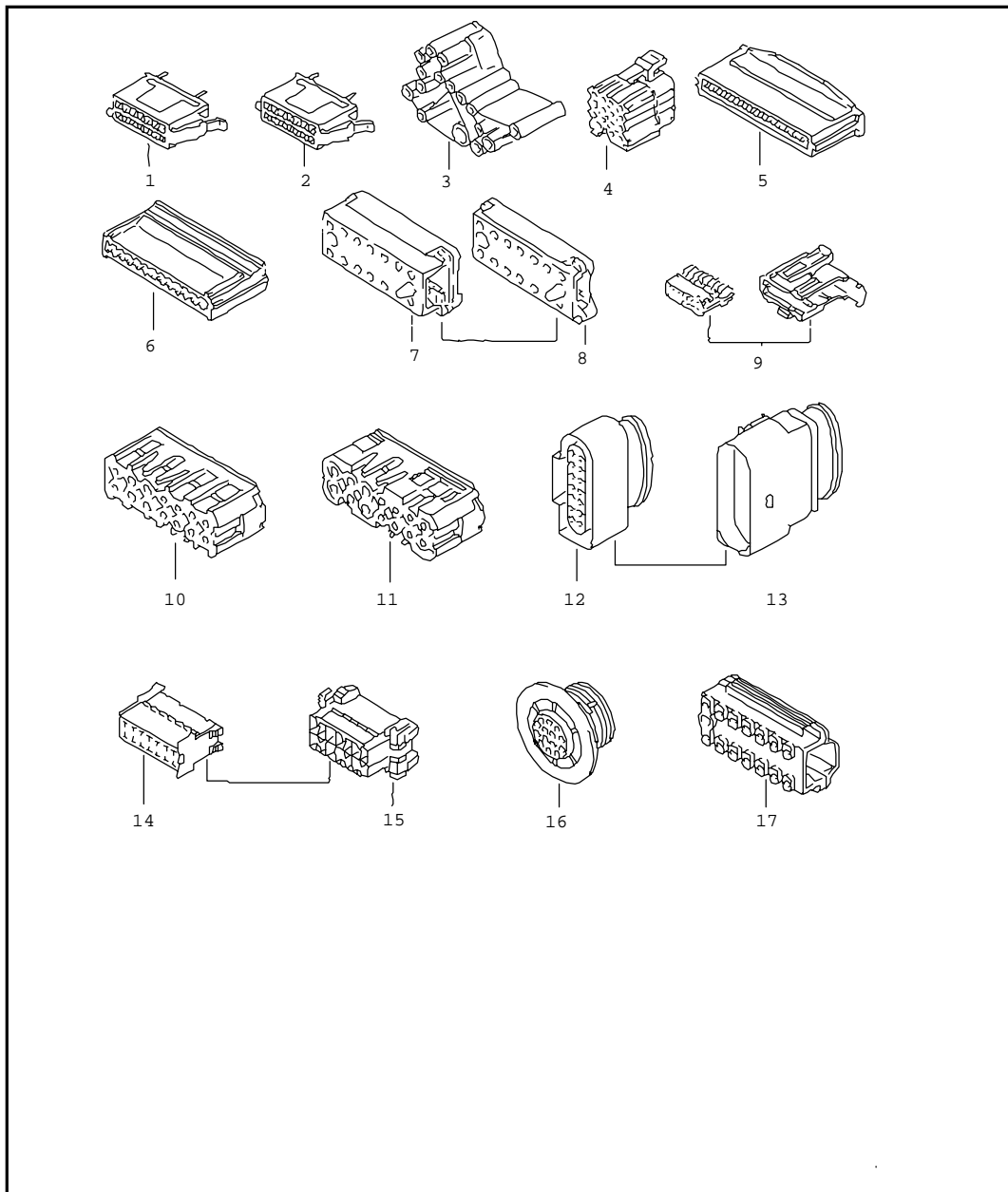
Model	Year	MG	SG	Illustration	VIN No.	Update	14:48	18.02.20100		ETKA	
EL	90	9	71	971-65		336					

Pos	Part Number	Name	Remarks	Qty	Model	Pos	Part Number	Name	Remarks	Qty	Model
8	191 972 786	flat contact housing for single wiring:	000 979 130 000 979 219 000 979 302	X X X	1,0 2,5 4,0						
9	1H0 973 103 C	flat connector housing for single wiring:	000 979 131 A 000 979 133 000 979 133 A 000 979 135 000 979 217 000 979 227 000 979 407	X X X X X X X	1,0 1,0 1,0 1,0 2,5 2,5 6,0						
10	1H0 973 131 C	flat connector housing for single wiring:	000 979 132 000 979 129 000 979 130 000 979 219 000 979 220 000 979 302	X X X X X X	1,0 1,0 1,0 2,5 2,5 4,0						



Model	Year	MG	SG	Illustration	VIN No.	Update	14:49	18.02.20100		ETKA	
EL	90	9	71	971-70		336					



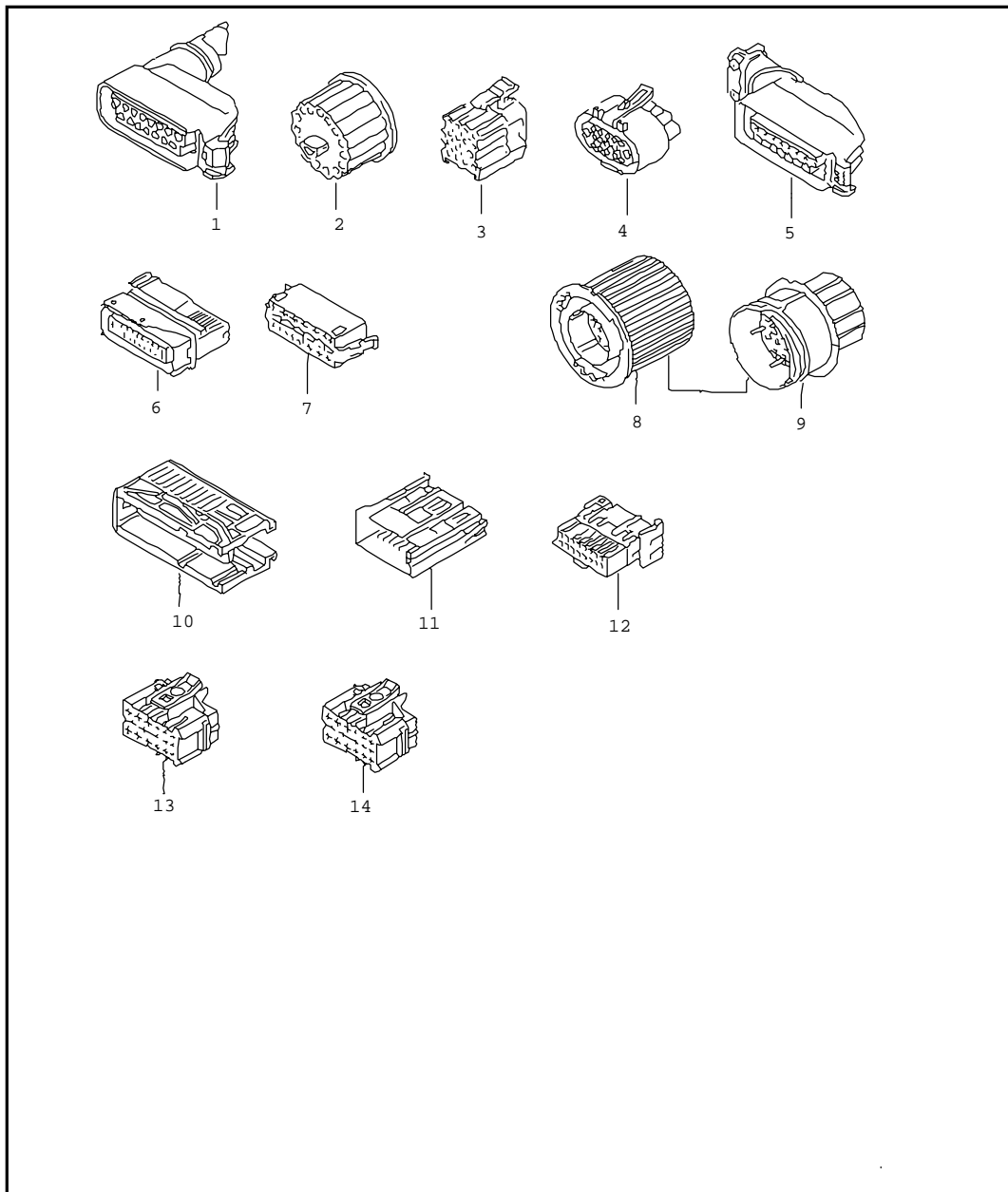
Pos	Part Number	Name	Remarks	Qty	Model
		connector housing	13 pin		
1	443 971 978	rd. connector sleeve housing for single wiring:	000 979 117 000 979 213 000 979 214 000 979 301	X X X X	1,0 2,5 2,5 4,0
2	443 972 961 A	protective cap		X	
3	443 972 961	flat contact housing for single wiring:	000 979 135 000 979 227 000 979 407 000 979 408	X X X X	1,0 2,5 6,0 6,0
4	443 972 961 B	flat contact housing for single wiring:	000 979 135 000 979 227 000 979 407	X X X	1,0 2,5 6,0
5	8A0 971 978	rd. connector sleeve housing for contact:	8A0 972 980 A	1 X	
6	7M0 971 946	rd. connector sleeve housing for contact:	13 pin 8A0 972 980 A	1 X	





Pos	Part Number	Name	Remarks	Qty	Model
1	357 919 971 C	connector housing	14 pin		
		flat contact housing		X	
		for single wiring:	000 979 133	X	1,0
			000 979 133 A	X	1,0
2	357 919 971 D	flat contact housing		X	
		for single wiring:	000 979 133	X	1,0
			000 979 133 A	X	1,0
			000 979 217	X	2,5
3	443 953 526 A	rd. connector sleeve housing		X	
		for single wiring:	000 979 108	X	1,0
			000 979 110	X	1,0
			000 979 208	X	2,5
			000 979 211	X	2,5
			000 979 305	X	4,0
4	171 971 971 R	rd. connector sleeve housing		X	
		for single wiring:	000 979 108	X	1,0
			000 979 110	X	1,0
			000 979 208	X	2,5
			000 979 211	X	2,5
			000 979 305	X	4,0
5	321 971 998	spring contact housing		X	
		for single wiring:	000 979 102	X	1,0
6	443 972 958	spring contact housing		X	
		for single wiring:	000 979 116	X	1,0
			000 979 116 A	X	1,0
7	447 972 917	round connector sleeve housing with contact and code pin		X	
		for contact:	447 972 979	X	
8	447 972 918	round connector housing with contact lock		X	
		for contact:	447 972 982	X	
9	443 972 959	flat contact housing	black	X	
		for single wiring:	000 979 003 A	X	0,5
10	4A0 971 978	rd. connector sleeve housing	black/pink	X	
		for single wiring:	000 979 117	X	1,0
			000 979 213	X	2,5
			000 979 214	X	2,5
			000 979 301	X	4,0
11	4D0 971 978	flat connector housing	14 pin	1	
		for single wiring:	000 979 117	X	1,0
			000 979 213	X	2,5
			000 979 214	X	2,5
			000 979 301	X	4,0

Model	Year	MG	SG	Illustration	VIN No.	Update	14:49	18.02.20100		ETKA	
EL	90	9	71	971-75		336					



Pos	Part Number	Name	Remarks	Qty	Model	Pos	Part Number	Name	Remarks	Qty	Model
12	6X0 973 717	flat contact housing	14 pin black	1							
		for single wiring:	000 979 131	X 1,0							
			000 979 131 A	X 1,0							
(12)	6X0 973 717 A	flat contact housing	14 pin brown	1							
		for single wiring:	000 979 131	X 1,0							
			000 979 131 A	X 1,0							
(12)	1J0 973 737	flat contact housing	14 pin	1							
		for single wiring:	000 979 131	X 1,0							
			000 979 133	X 1,0							
			000 979 225	X 2,5							
13	6X0 973 817	flat contact housing	14 pin	1							
		for single wiring:	000 979 132	X 1,0							
			000 979 132 A	X 1,0							
(13)	6X0 973 817 A	flat contact housing	14 pin brown	1							
		for single wiring:	000 979 132	X 1,0							
			000 979 132 A	X 1,0							
(13)	1J0 973 837	flat contact housing helper contact catch	14 pin	1							
		for single wiring:	000 979 132	X 1,0							
			000 979 132 A	X 1,0							
			000 979 134	X 1,0							
			000 979 134 A	X 1,0							
			000 979 226	X 2,5							
			000 979 226 A	X 2,5							
14	2D0 971 989 AM	flat connector housing	14 pin	1							
15	2D0 971 989 BG	flat connector housing connecting piece rear view mirror	14 pin	1							
16	2D0 971 989 AR	round connector housing for diagnosis plug	14 pin	1							
17	2D0 971 989 CR	flat contact housing connecting piece control unit for cruise control system	14 pin	1							
		for contact:	2D0 972 982 A								

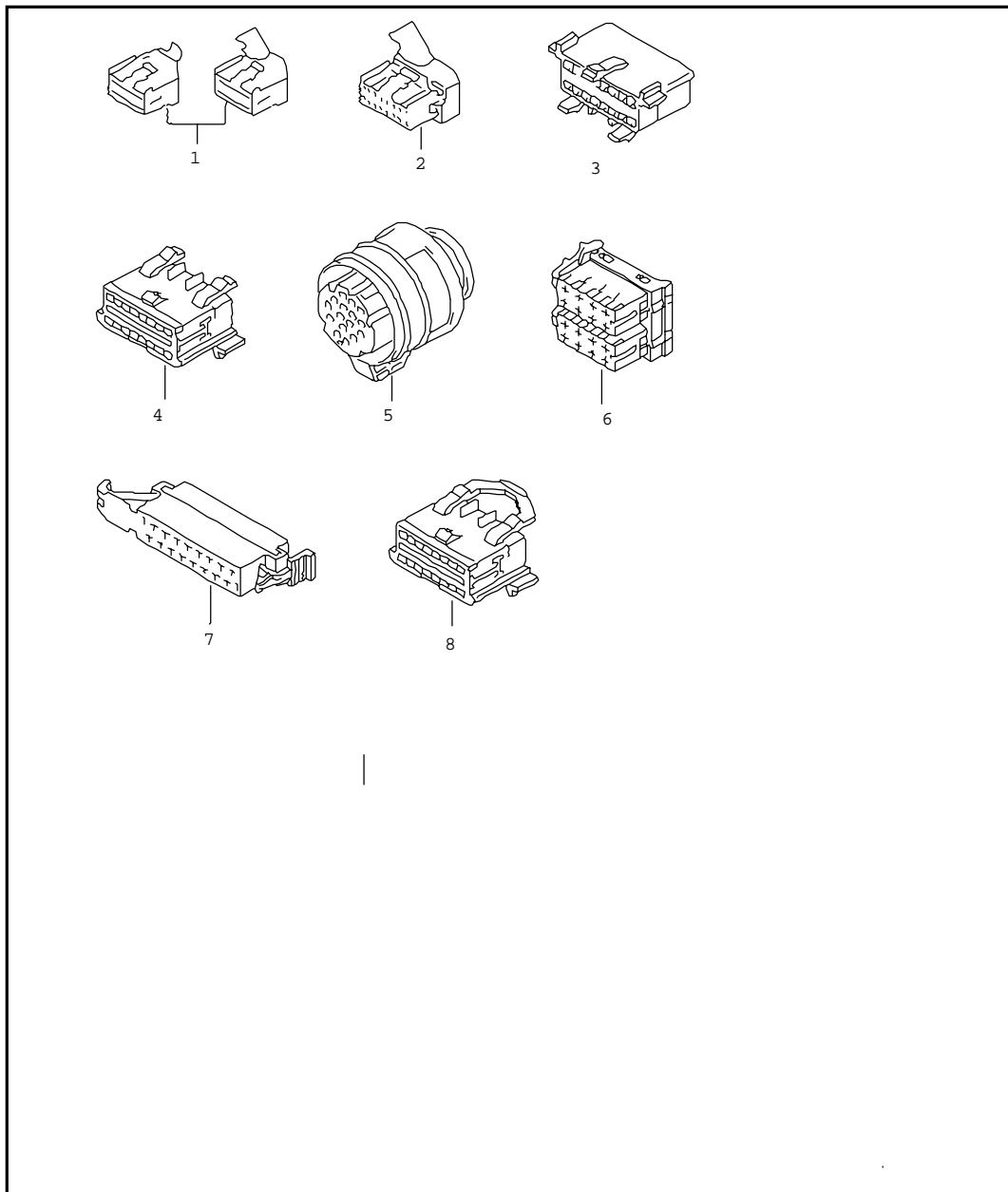


Pos	Part Number	Name	Remarks	Qty	Model
1	871 906 365	connector housing	15 pin		
		flat contact housing with gasket		X	
		for single wiring:	000 979 133	X	1,0
			000 979 133 A	X	1,0
			000 979 217	X	2,5
2	803 971 509	rd. connector sleeve housing		X	
		for single wiring:	000 979 108	X	1,0
			000 979 208	X	2,5
3	171 971 971 P	rd. connector sleeve housing		X	
		for single wiring:	000 979 108	X	1,0
			000 979 110	X	1,0
			000 979 208	X	2,5
			000 979 211	X	2,5
			000 979 305	X	4,0
4	357 973 215	flat contact housing		X	
		for single wiring:	000 979 131	X	1,0
		connecting piece	000 979 131 A	X	1,0
		wiring harness for	000 979 133	X	1,0
		transistorized ignition system	000 979 133 A	X	1,0
			000 979 217	X	2,5
5	533 906 365	flat contact housing with gasket		X	
		for single wiring:	000 979 133	X	1,0
			000 979 133 A	X	1,0
			000 979 217	X	2,5
6	1H0 959 381	flat contact housing		X	
		for single wiring:	000 979 131	X	1,0
			000 979 131 A	X	1,0
			000 979 133	X	1,0
			000 979 133 A	X	1,0
			000 979 217	X	2,5
7	7D1 971 999	flat contact housing	15 pin black	1	
		for single wiring:	000 979 135	X	1,0
			000 979 133	X	1,0
			000 979 217	X	2,5
			000 979 227	X	2,5
7	7D1 971 999	flat contact housing	15 pin black	1	
		for single wiring:	000 979 135	X	1,0
			000 979 133	X	1,0
			000 979 217	X	2,5
			000 979 227	X	2,5



Model	Year	MG	SG	Illustration	VIN No.	Update	14:49	18.02.20100		ETKA	
EL	90	9	71	971-80		336					

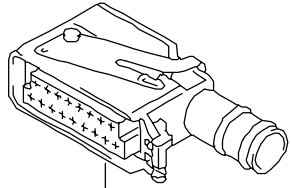
Pos	Part Number	Name	Remarks	Qty	Model	Pos	Part Number	Name	Remarks	Qty	Model
(7)	7D2 971 999	flat contact housing	15 pin brown	1							
		for single wiring:	000 979 135	X 1,0							
			000 979 133	X 1,0							
			000 979 217	X 2,5							
			000 979 227	X 2,5							
8	1H0 973 103 A	round connector housing		X							
		for single wiring:	000 979 133	X 1,0							
			000 979 133 A	X 1,0							
			000 979 217	X 2,5							
9	1H0 973 135	round connector housing		X							
		for single wiring:	000 979 129	X 1,0							
			000 979 219	X 2,5							
10	8D0 971 943	rd. connector sleeve housing	15 pin	1							
		for single wiring:	000 979 128	X 1,0							
			000 979 221	X 2,5							
11	4B0 972 575	flat connector housing	15 pin black	1							
		for single wiring:	000 979 012	X 0,5							
12	4B0 972 585	flat contact housing	15 pin black	X							
		for single wiring:	000 979 009	X 0,5							
13	1J0 962 615	flat contact housing with helper contact catch electronic control unit	15 pin	1							
		for single wiring:	000 979 131	X 1,0							
			000 979 131 A	X 1,0							
			000 979 225	X 2,5							
			000 979 225 A	X 2,5							
14	1J0 962 615 B	flat contact housing with helper contact catch electronic control unit	15 pin	1							
		for single wiring:	000 979 131	X 1,0							
			000 979 131 A	X 1,0							
			000 979 225	X 2,5							
			000 979 225 A	X 2,5							

Model	Year	MG	SG	Illustration	VIN No.	Update	14:49	18.02.20100		ETKA	
EL	90	9	71	971-85		336					

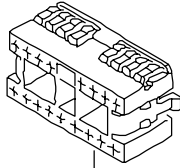


Pos	Part Number	Name	Remarks	Qty	Model
1	4A0 972 883 A	connector housing flat contact housing for single wiring:	16 pin 000 979 003 A	X X	0,5
2	4A0 972 883 C	flat contact housing for single wiring:	000 979 006 000 979 121 000 979 223	X X X	0,5 1,0 1,5
3	1H0 972 695	flat contact housing for single wiring:	16 pin 000 979 131 000 979 131 A	X X X	1,0 1,0
4	3A0 972 695	flat contact housing for single wiring: connecting piece for diagnosis plug	16 pin 000 979 011	1 X	0,5
5	8D0 972 984	round connector housing connecting piece 5 speed automatic gearbox	16 pin	1	
6	2D0 971 989 AG	flat contact housing for single wiring:	16 pin 000 979 217	1 X	2,5
7	2D0 971 989 DA	flat contact housing connecting piece electronic control unit for central locking system for single wiring:	16 pin 000 979 133 000 979 225	X X	1,0 2,5

Model	Year	MG	SG	Illustration	VIN No.	Update	14:50	18.02.20100		ETKA	
EL	90	9	71	971-90		336					





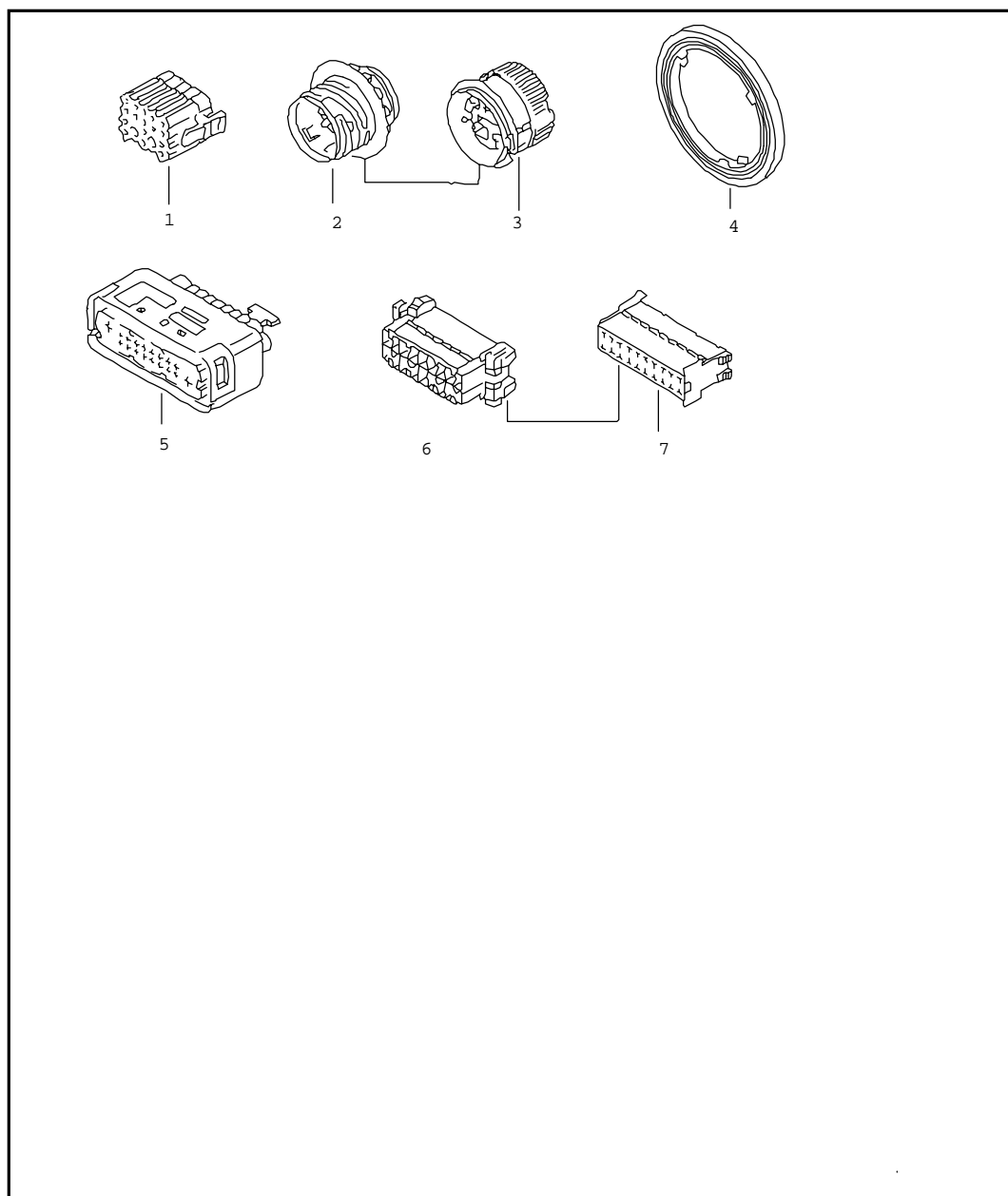
1





2

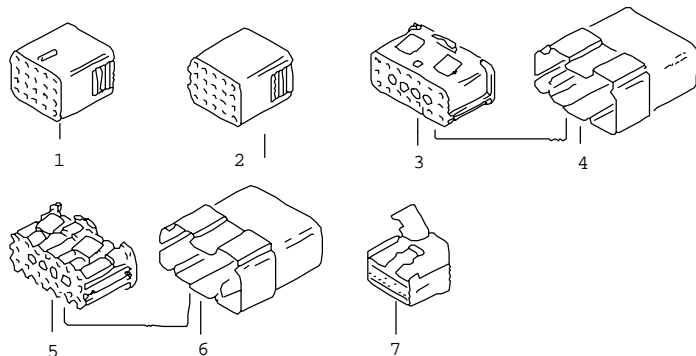
Pos	Part Number	Name	Remarks	Qty	Model
1	2D0 998 989	connector housing parts kit flat contact housing connecting piece electronic control unit	17-pin 17-pin	1	
2	1J0 972 999	flat contact housing connecting piece switch for driving headlights for single wiring:	17-pin 000 979 126 000 979 227	1 X X	1,0 2,5

Model	Year	MG	SG	Illustration	VIN No.	Update	14:50	18.02.20100		ETKA	
EL	90	9	71	971-95		336					

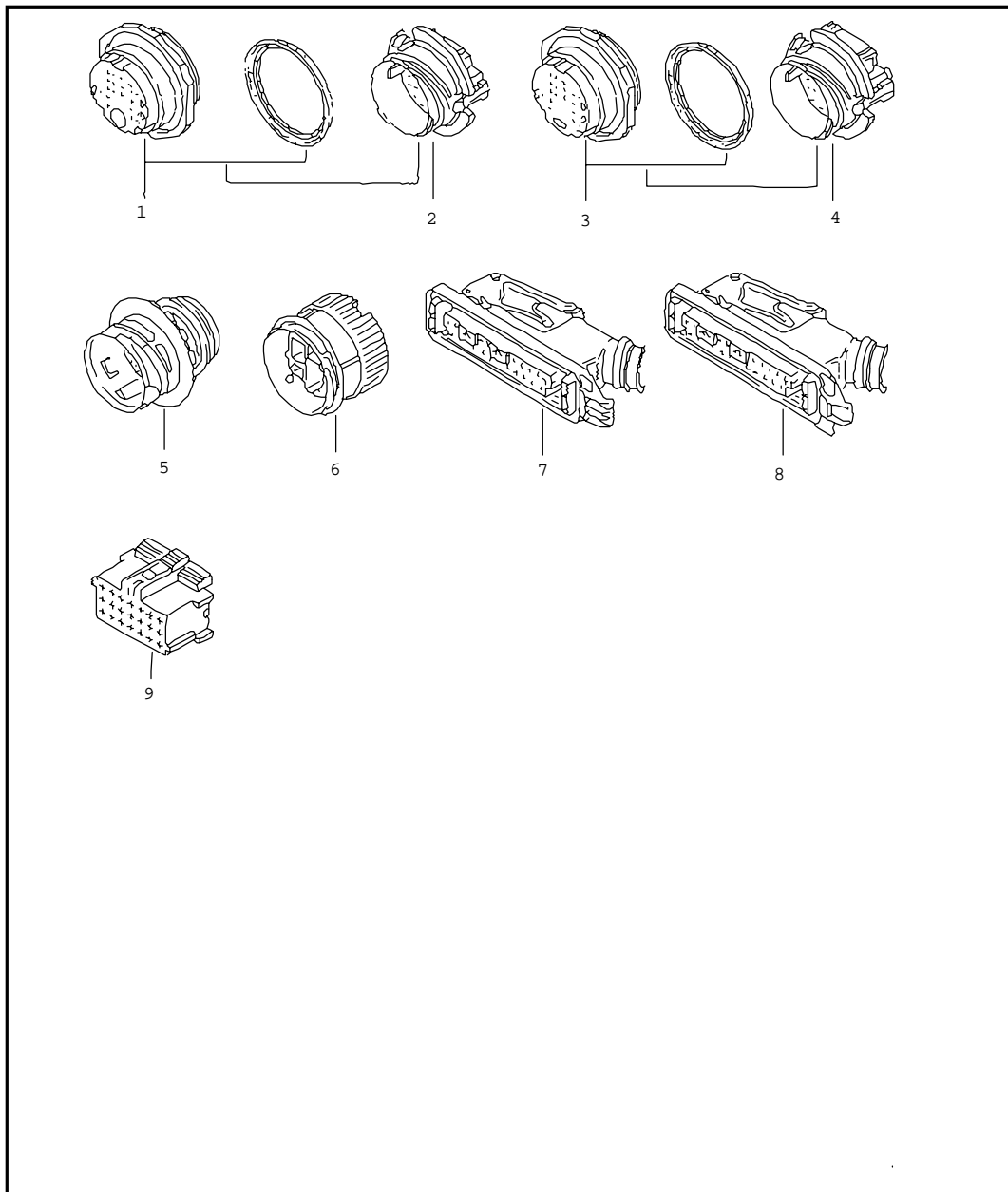


Pos	Part Number	Name	Remarks	Qty	Model
1	171 971 971 N	connector housing	18 pin		
		rd. connector sleeve housing		X	
		for single wiring:	000 979 108	X	1,0
			000 979 110	X	1,0
			000 979 208	X	2,5
			000 979 211	X	2,5
2	6N0 959 735 A	flat contact housing	18 pin	X	
		connecting piece			
		flat contact housing mounting			
		for single wiring:	000 979 132	X	1,0
			000 979 132 A	X	1,0
			000 979 129	X	1,0
3	6N0 959 740	flat contact housing mounting	18 pin	2	
		for single wiring:	000 979 126	X	1,0
		a pillar	000 979 217	X	2,5
		for contact housing:	3A0 972 701 H	1	
			3A0 972 703 H	1	
			3A0 972 706 H	1	
4	3A0 959 750	sealing washer		1	
		for: flat contact housing mounting	3A0 959 740 6N0 959 740		
5	1J0 959 383 B	flat contact housing with gasket	18 pin	1	
		electronic control unit	rear door		
		for single wiring:	000 979 131	X	1,0
			000 979 133	X	1,0
6	2D0 971 989 BE	flat connector housing	18 pin	1	
7	2D0 971 989 DB	flat contact housing	18 pin	1	
		connecting piece			
		fuse box/relay plate			
		for single wiring:	000 979 133	X	1,0
7	2D0 971 989 DB	flat contact housing	18 pin	1	
		connecting piece			
		fuse box/relay plate			
		for single wiring:	000 979 133	X	1,0
		000 979 225	X	2,5	



Model	Year	MG	SG	Illustration	VIN No.	Update	14:50	18.02.20100		ETKA	
EL	90	9	71	972-05		336					





Pos	Part Number	Name	Remarks	Qty	Model
		connector housing	20 pin		
1	171 971 971	rd. connector sleeve housing	yellow	X	
		for single wiring:	000 979 108	X	1,0
			000 979 208	X	2,5
2	--- --- ---	no longer available			
3	867 972 501	rd. connector sleeve housing		X	
		for single wiring:	000 979 108	X	1,0
			000 979 110	X	1,0
			000 979 208	X	2,5
			000 979 211	X	2,5
			000 979 305	X	4,0
4	867 972 501 B	round connector housing		X	
		for single wiring:	000 979 109	X	1,0
			000 979 111	X	1,0
			000 979 209	X	2,5
			000 979 210	X	2,5
			000 979 304	X	4,0
5	867 972 501 A	rd. connector sleeve housing		X	
		for single wiring:	000 979 108	X	1,0
			000 979 110	X	1,0
			000 979 208	X	2,5
			000 979 211	X	2,5
			000 979 305	X	4,0
6	867 972 501 C	round connector housing		X	
		for single wiring:	000 979 109	X	1,0
			000 979 111	X	1,0
			000 979 209	X	2,5
			000 979 210	X	2,5
			000 979 304	X	4,0
7	4A0 972 883 B	flat contact housing		X	
		for single wiring:	000 979 003 A	X	0,5

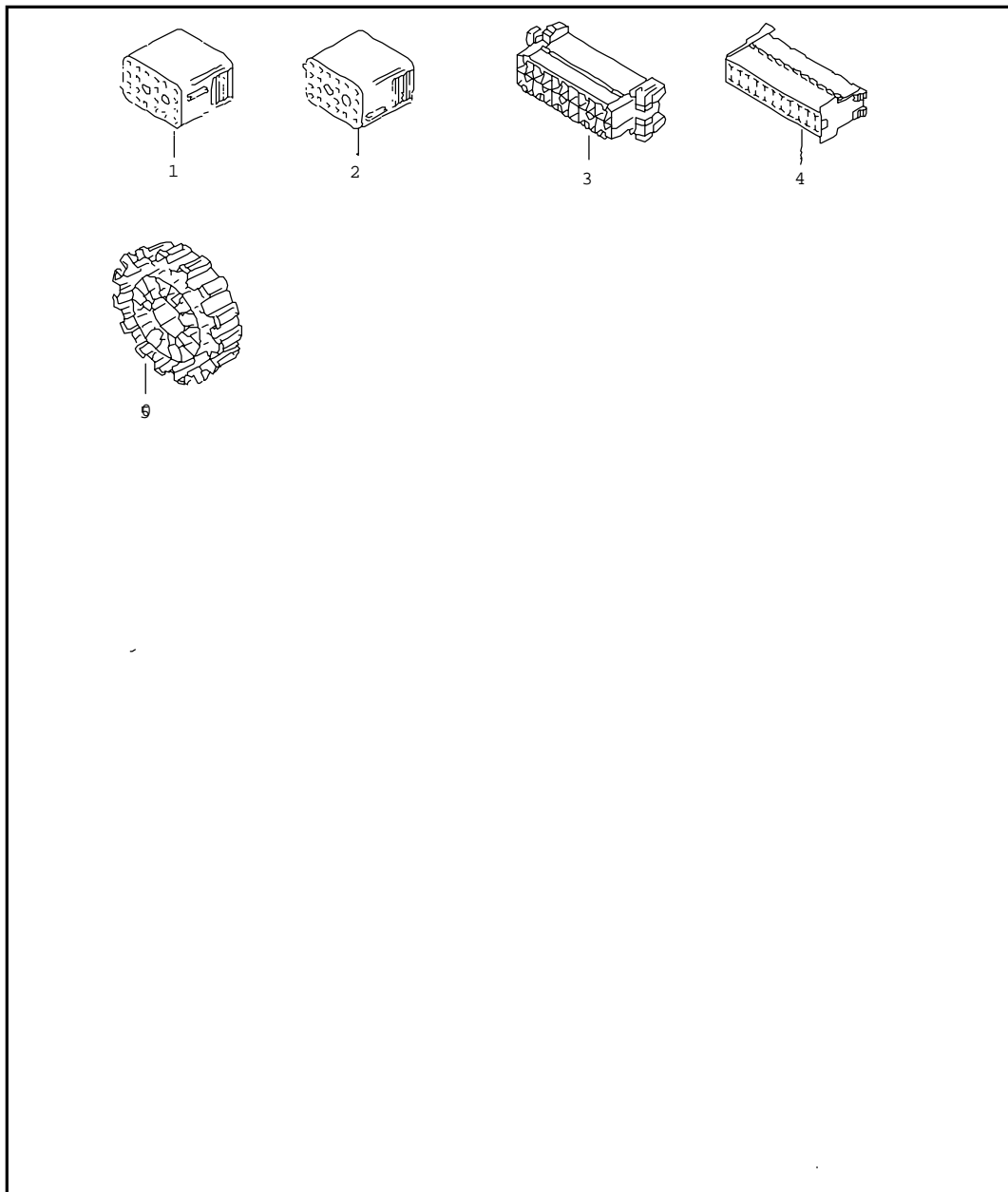


Pos	Part Number	Name	Remarks	Qty	Model
1	1H4 959 735 D	connector housing	21 pin		
		flat contact housing	21 pin	X	
		for single wiring:	000 979 132	X	1,0
		000 979 129	X	1,0	
		000 979 130	X	1,0	
		000 979 219	X	2,5	
		000 979 220	X	2,5	
000 979 302	X	4,0			
2	1H4 959 741 B	flat contact housing mounting pillar b		X	
		for contact housing:	1H4 972 705		
		1H4 972 709			
191 972 751					
3	1H4 959 735 E	flat contact housing	21 pin	1	
		for single wiring:	000 979 132	X	1,0
		000 979 129	X	1,0	
		000 979 130	X	1,0	
		000 979 219	X	2,5	
		000 979 220	X	2,5	
		000 979 302	X	4,0	
4	1H4 959 741 C	flat contact housing mounting pillar b		1	
		for contact housing:	1H4 972 705		
		1H4 972 709			
191 972 751					
5	3A0 959 735	flat contact housing	21 pin	1	
		without:	DICHTUNG		
		for single wiring:	000 979 132	X	1,0
		000 979 129	X	1,0	
		000 979 130	X	1,0	
		000 979 219	X	2,5	
		000 979 220	X	2,5	
000 979 302	X	4,0			
6	3A0 959 740	flat contact housing mounting pillar b	21 pin	1	
		for contact housing:	3A0 972 701 H	1	
		3A0 972 702 H	1		
		3A0 972 706 J	1		
		3A0 972 709	1		
6	3A0 959 740	flat contact housing mounting pillar b	21 pin	1	
		for contact housing:	3A0 972 701 H	1	
		3A0 972 702 H	1		
		3A0 972 706 J	1		
		3A0 972 709	1		



Model	Year	MG	SG	Illustration	VIN No.	Update	14:51	18.02.20100		ETKA	
EL	90	9	71	972-10		336					

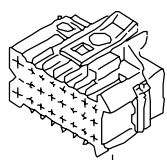
Pos	Part Number	Name	Remarks	Qty	Model	Pos	Part Number	Name	Remarks	Qty	Model
7	4A0 971 985 A	flat contact housing with gasket	21 pin	1	QUATTRO						
		for single wiring:	000 979 133	X	1,0						
			000 979 133 A	X	1,0						
			000 979 135	X	1,0						
			000 979 217	X	2,5						
			000 979 227	X	2,5						
			000 979 407	X	6,0						
8	4A0 971 985 B	flat contact housing with gasket	21 pin	1							
		for single wiring:	000 979 133	X	1,0						
			000 979 133 A	X	1,0						
			000 979 135	X	1,0						
			000 979 217	X	2,5						
			000 979 227	X	2,5						
			000 979 407	X	6,0						
(8)	4A0 971 985 C	flat contact housing with gasket	21 pin	1							
		for single wiring:	000 979 126	X	1,0						
			000 979 135	X	1,0						
			000 979 216	X	2,5						
9	2D0 971 989 CH	flat contact housing connecting piece special relay turn signal	21 pin	1							
		for single wiring:	000 979 133	X	1,0						
			000 979 225	X	2,5						

Model	Year	MG	SG	Illustration	VIN No.	Update	14:51	18.02.20100		ETKA	
EL	90	9	71	972-15		336					

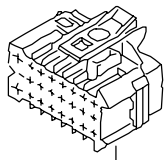


Pos	Part Number	Name	Remarks	Qty	Model
1	171 971 971 A	connector housing rd. connector sleeve housing for single wiring:	22 pin black 000 979 108 000 979 110 000 979 208 000 979 211 000 979 305	X X X X X	1,0 1,0 2,5 2,5 4,0
2	171 971 971 B	rd. connector sleeve housing for single wiring:	blue 000 979 108 000 979 110 000 979 208 000 979 211 000 979 305	X X X X X	1,0 1,0 2,5 2,5 4,0
3	2D0 971 989 BF	flat connector housing	22 pin	1	
4	2D0 971 989 AL	flat contact housing	22 pin	1	
5	3A0 971 519 A	ground connector	2,8/4.8 22 point	1	

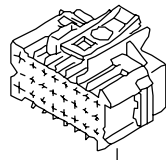
Model	Year	MG	SG	Illustration	VIN No.	Update	14:51	18.02.20100		ETKA	
EL	90	9	71	972-20		336					



1





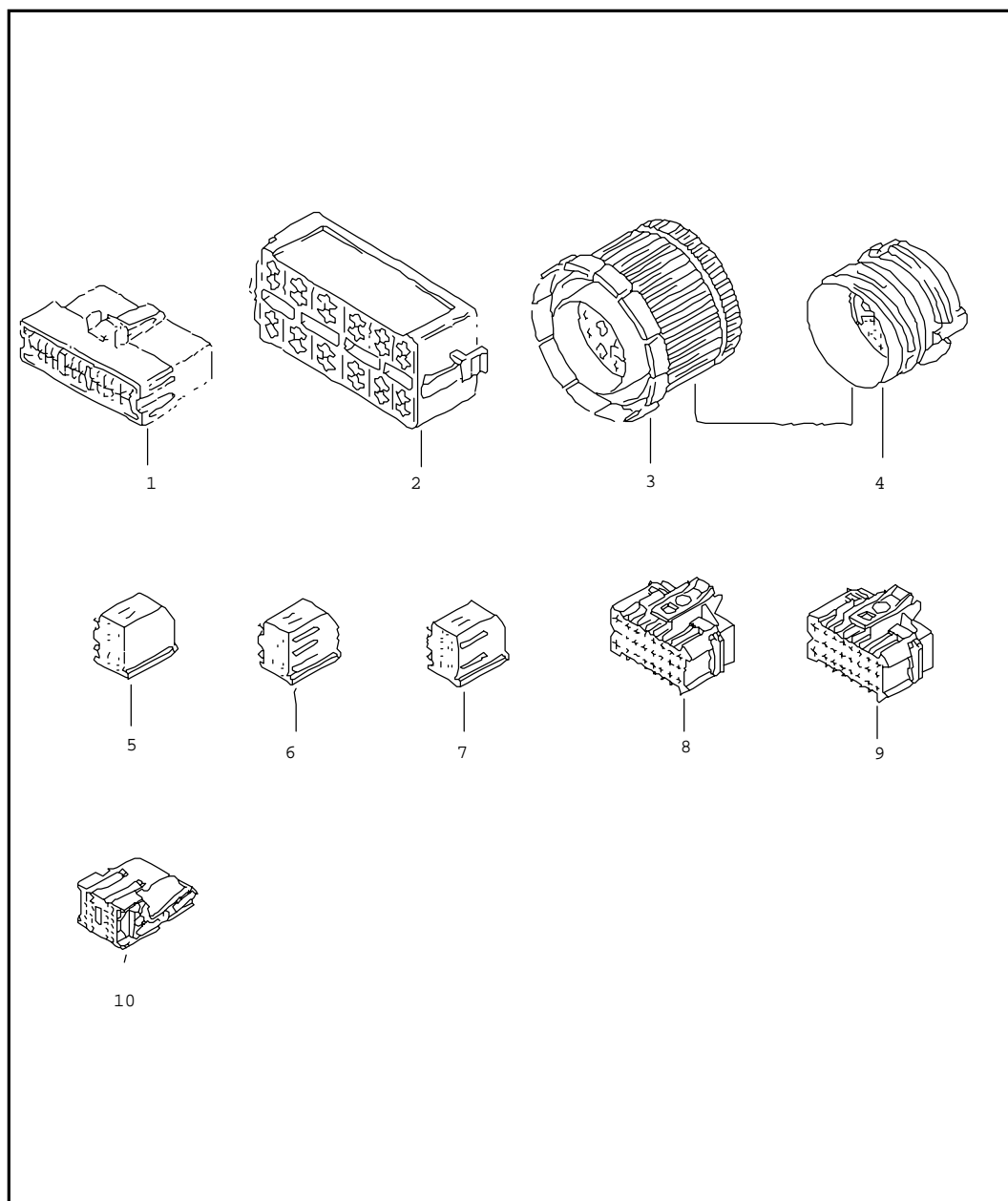
2





3

Pos	Part Number	Name	Remarks	Qty	Model
		connector housing	23 POLIG		
1	1J0 962 623	flat contact housing with helper contact catch electronic control unit for single wiring:	23 pin black 000 979 131 000 979 131 A 000 979 225 000 979 225 A	1 X 1,0 X 1,0 X 2,5 X 2,5	
2	1J0 962 623 A	flat contact housing with helper contact catch electronic control unit for single wiring:	23 pin black 000 979 131 000 979 131 A 000 979 225 000 979 225 A	1 X 1,0 X 1,0 X 2,5 X 2,5	
3	1J0 962 623 B	flat contact housing with helper contact catch electronic control unit for single wiring:	23 pin green 000 979 131 000 979 131 A 000 979 225 000 979 225 A	1 X 1,0 X 1,0 X 2,5 X 2,5	



Model	Year	MG	SG	Illustration	VIN No.	Update	14:51	18.02.20100		ETKA	
EL	90	9	71	972-25		336					

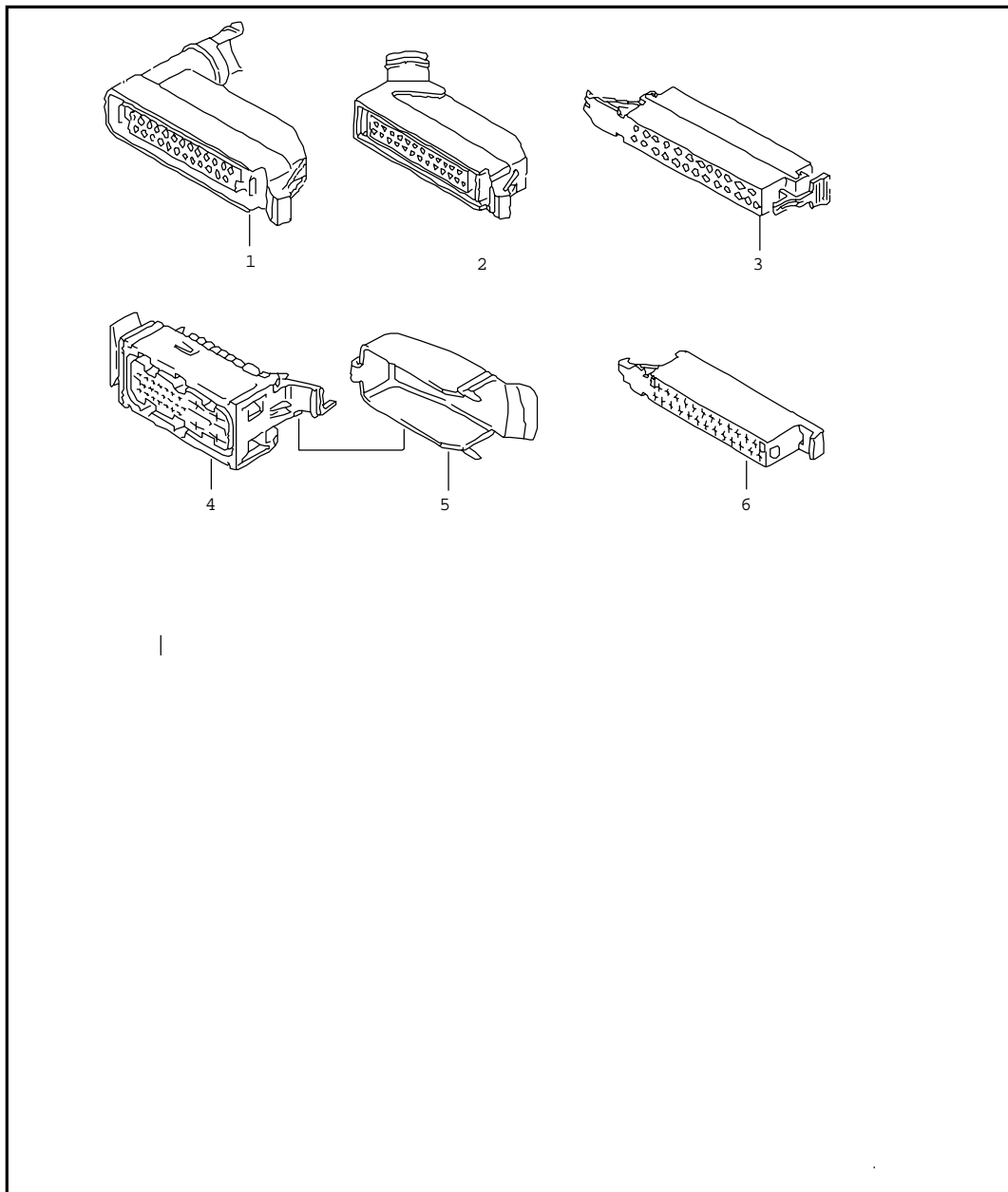


Pos	Part Number	Name	Remarks	Qty	Model
1	443 971 997	connector housing	24 pin		
		spring contact housing for single wiring:	6,3 000 979 101	X X	1,0
2	861 972 999	terminal pin housing			
		for single wiring:	000 979 135 000 979 227 000 979 407	X X X	1,0 2,5 6,0
		flat connector housing for single wiring:	000 979 131 000 979 126 000 979 217 000 979 227	X X X X	1,0 1,0 2,5 2,5
4	3A0 973 131	flat connector housing	24 pin	1	
		for single wiring:	000 979 132 000 979 129 000 979 219 000 979 220	X X X X	1,0 1,0 2,5 2,5
		flat contact housing with helper contact catch connecting piece electronic control unit for single wiring:	24 pin black A 000 979 002 000 979 003 A	X X	0,5 0,5
		flat contact housing with helper contact catch connecting piece electronic control unit for single wiring:	24 pin red B 000 979 002 000 979 003 A	X X	0,5 0,5
		flat contact housing with helper contact catch connecting piece electronic control unit for single wiring:	24 pin brown C 000 979 002 000 979 003 A	X X	0,5 0,5
8	1J0 962 624	flat contact housing with helper contact catch for single wiring:	24 pin 000 979 131 000 979 131 A 000 979 132 000 979 132 A 000 979 134	X X X X X	1,0 1,0 1,0 1,0 1,0



Model	Year	MG	SG	Illustration	VIN No.	Update	14:51	18.02.20100		ETKA	
EL	90	9	71	972-25		336					

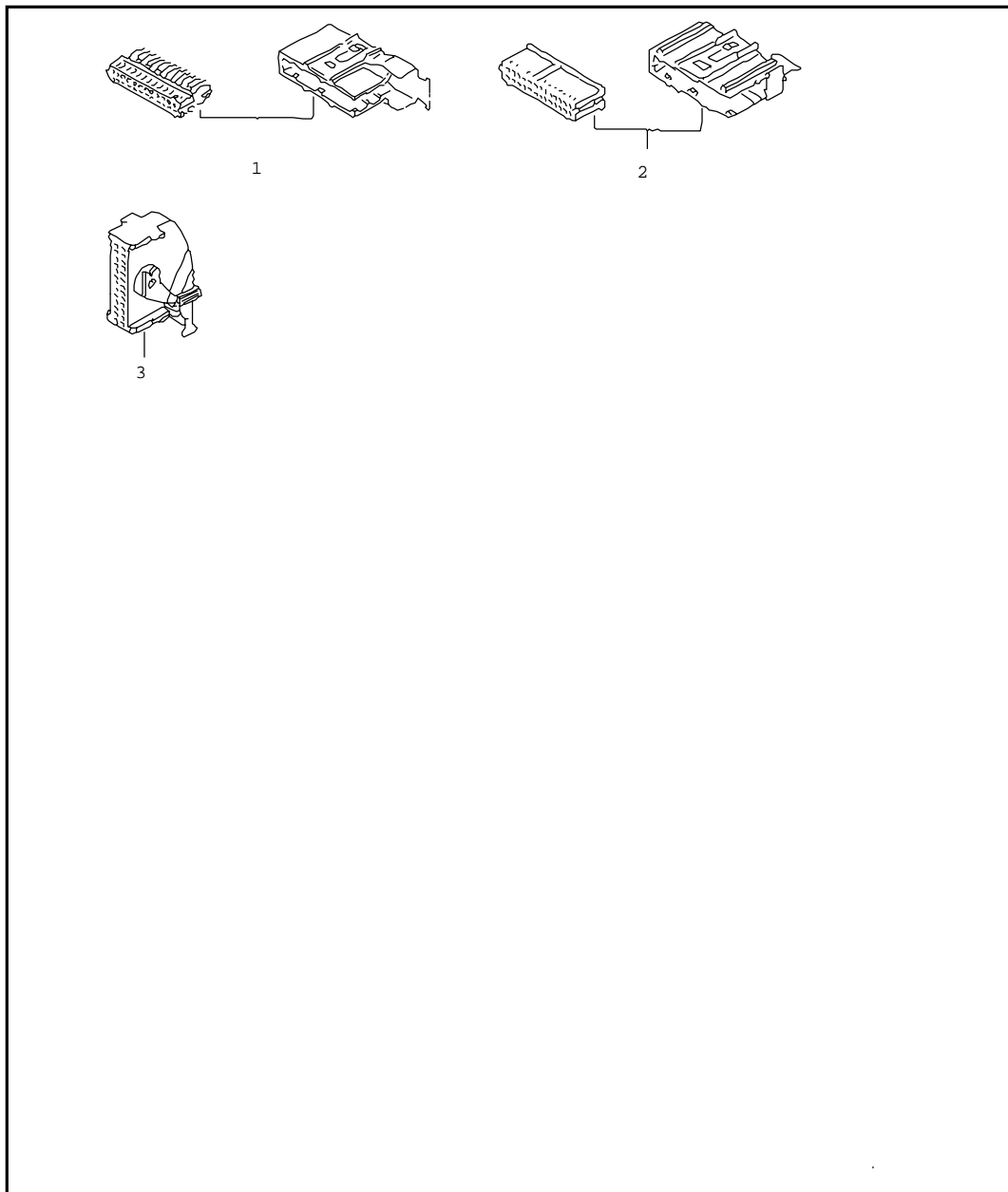
Pos	Part Number	Name	Remarks	Qty	Model	Pos	Part Number	Name	Remarks	Qty	Model
9	1J0 962 624 A	flat contact housing with helper contact catch for single wiring:	24 pin grey 000 979 131 000 979 131 A 000 979 132 000 979 132 A 000 979 134	1 X 1,0 X 1,0 X 1,0 X 1,0 X 1,0							
10	4B0 906 230	flat contact housing with cap for single wiring:	24 pin 000 979 003 A	1 X 0,5							

Model	Year	MG	SG	Illustration	VIN No.	Update	14:51	18.02.20100		ETKA	
EL	90	9	71	972-30		336					

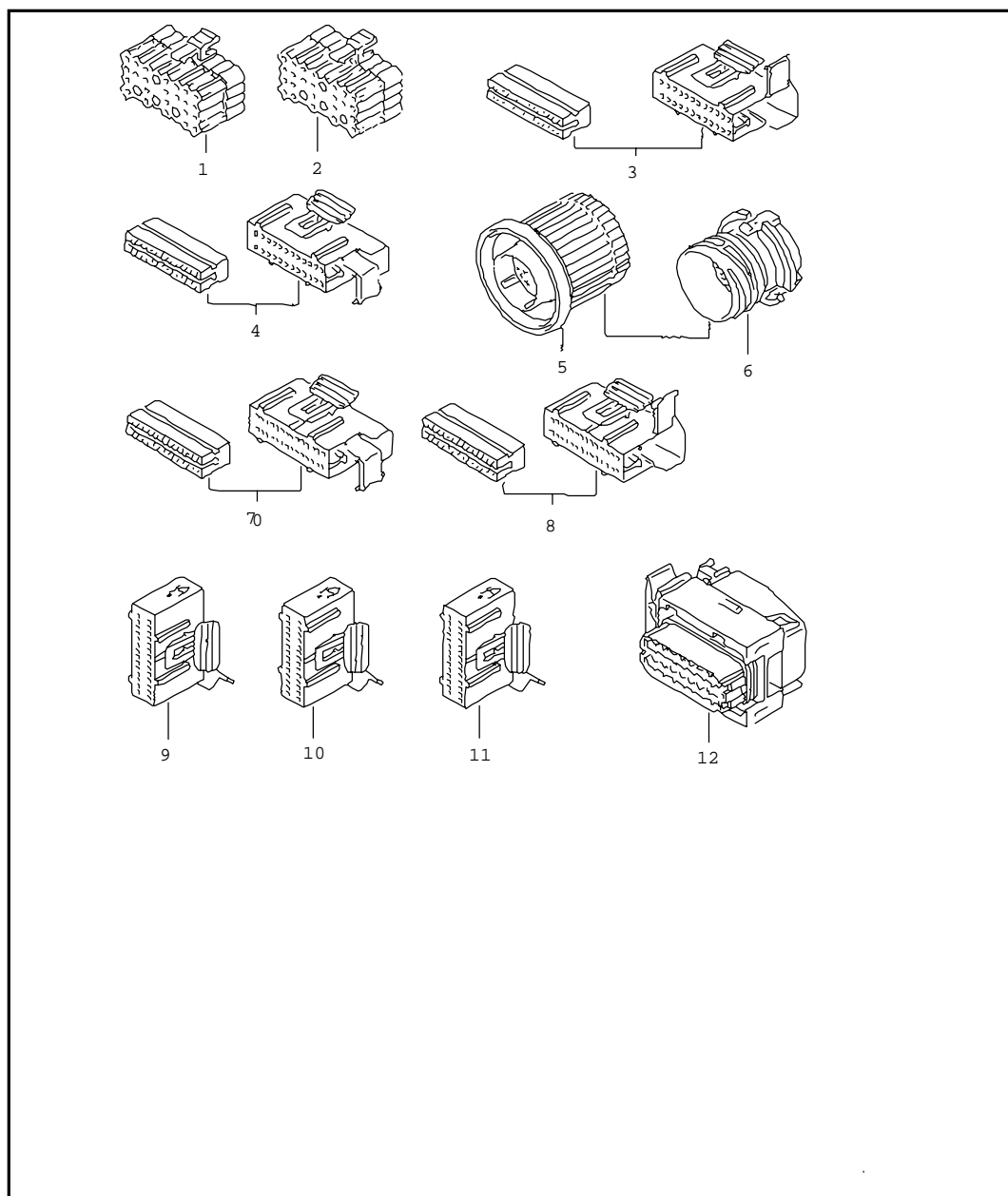


Pos	Part Number	Name	Remarks	Qty	Model
1	191 906 365	connector housing	25 pin		
		flat contact housing with gasket		X	
		for single wiring:	000 979 133	X	1,0
			000 979 133 A	X	1,0
2	443 906 365	flat contact housing with gasket		X	
		for single wiring:	000 979 133	X	1,0
			000 979 133 A	X	1,0
			000 979 217	X	2,5
3	443 972 963 C	contact carrier		X	
		for single wiring:	000 979 133	X	1,0
			000 979 133 A	X	1,0
			000 979 217	X	2,5
4	6N0 973 213	flat contact housing with helper contact catch	25 pin	1	
		for single wiring:	000 979 131	X	1,0
			000 979 131 A	X	1,0
			000 979 407	X	6,0
5	1H0 973 213 A	flat contact housing with helper contact catch	25 pin	1	
		electronic control unit for anti-locking brake system-abs-			
		for single wiring:	000 979 131	X	1,0
			000 979 131 A	X	1,0
6	2D0 971 989 CQ	flat contact housing connecting piece	25 pin	1	
		control unit for idling stabilization			
		for single wiring:	000 979 133	X	1,0
			000 979 225	X	2,5



Model	Year	MG	SG	Illustration	VIN No.	Update	14:52	18.02.20100		ETKA	
EL	90	9	71	972-35		336					





Pos	Part Number	Name	Remarks	Qty	Model
		connector housing	26 pin		
1	4A1 972 977	flat contact housing for single wiring:	violet 000 979 003 A	X X	0,5
2	443 972 977 C	flat contact housing for single wiring:	yellow 000 979 003 A	X X	0,5
3	3B0 919 754	flat contact housing with cap for single wiring:	26 pin green/black 000 979 010	1 X	0,5
(3)	7M0 937 711	flat contact housing with cap for single wiring:	26 pin green 000 979 010	1 X	0,5
-	8L0 971 966	flat contact housing booster for single wiring:	26 pin 000 979 013 000 979 142	1 X X	0,5 1,0

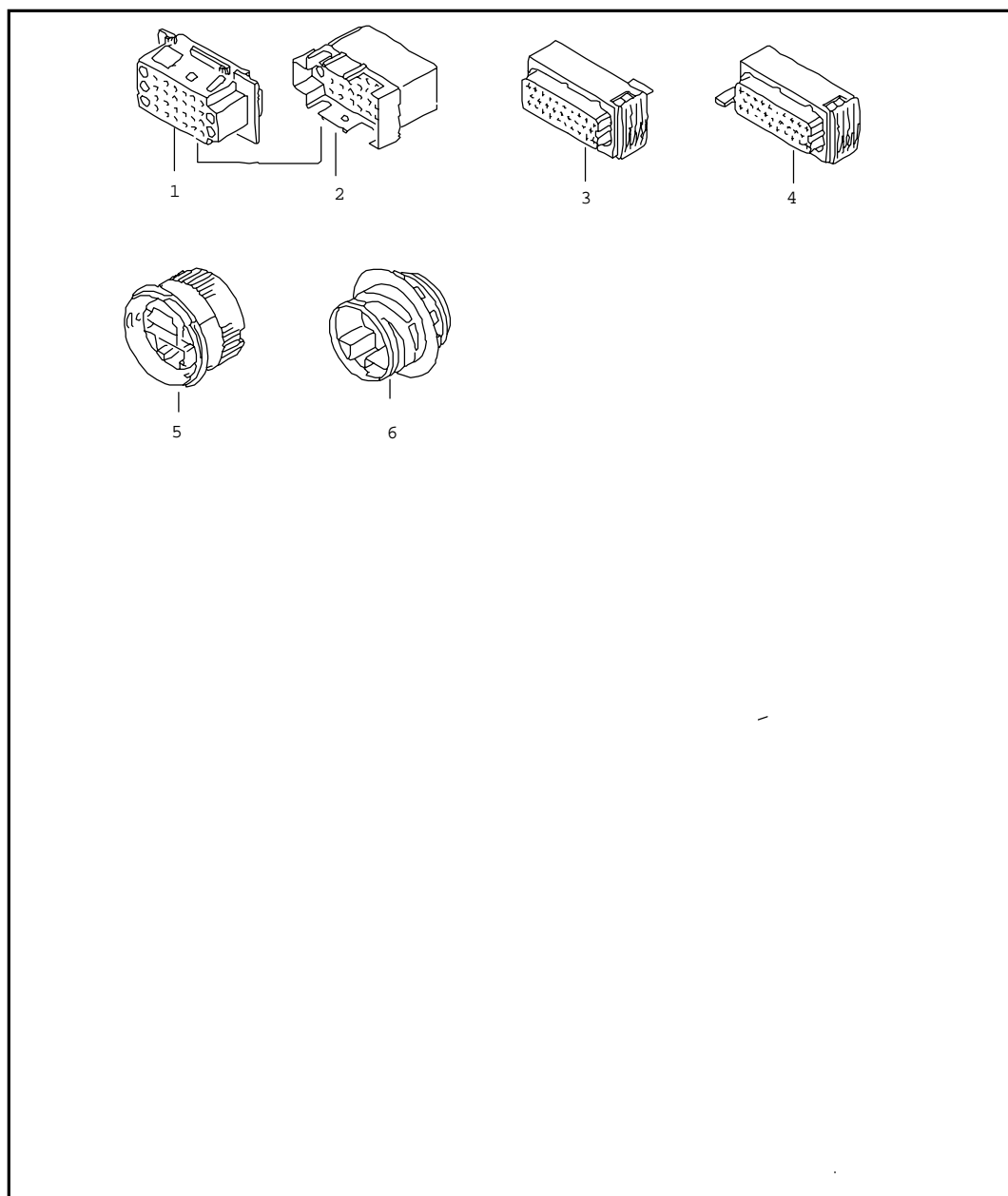


Pos	Part Number	Name	Remarks	Qty	Model
1	171 971 971 L	connector housing rd. connector sleeve housing for single wiring:	28 pin 000 979 108 000 979 110 000 979 208 000 979 211 000 979 305	X X X X X	1,0 1,0 2,5 2,5 4,0
2	171 971 971 M	rd. connector sleeve housing for single wiring:	000 979 108 000 979 110 000 979 208 000 979 211 000 979 305	X X X X X	1,0 1,0 2,5 2,5 4,0
3	---	discontinued / replacement:	191 972 530 B 357 972 531 black for single wiring: 000 979 002	1 1 X	0,5
(3)	191 972 530 B	finger plate	black	1	
(3)	357 972 531	contact carrier	28 pin	1	
4	---	discontinued / replacement:	357 972 530 A 357 972 531 white for single wiring: 000 979 002	1 1 X	0,5
(4)	357 972 530 A	finger plate	white	1	
(4)	357 972 531	contact carrier	28 pin	1	
5	1H0 973 103	flat contact housing with gasket for single wiring:	000 979 131 000 979 131 A 000 979 133 000 979 133 A 000 979 217	X X X X X	1,0 1,0 1,0 1,0 2,5
6	1H0 973 131	flat connector housing for single wiring:	000 979 132 000 979 132 A 000 979 129 000 979 219	X X X X	1,0 1,0 1,0 2,5
7	1H0 972 529	terminal pin housing for single wiring:	28 pin red 000 979 002	1 X	0,5



Model	Year	MG	SG	Illustration	VIN No.	Update	14:52	18.02.20100		ETKA	
EL	90	9	71	972-40		336					

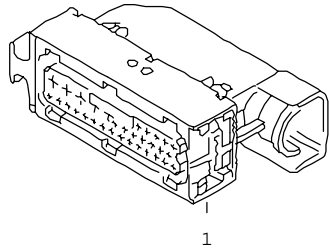
Pos	Part Number	Name	Remarks	Qty	Model	Pos	Part Number	Name	Remarks	Qty	Model
8	535 972 529	terminal pin housing	28 pin blue	1							
		for single wiring:	000 979 002	X 0,5							
9	7M0 972 529	terminal pin housing	28 pin white	1							
		for single wiring:	000 979 002	X 0,5							
10	--- --- --- .	discontinued / replacement:	7M0 972 530 A	1							
			357 972 531	1							
			28 pin red								
		for single wiring:	000 979 002	X 0,5							
(10)	7M0 972 530 A	finger plate	red	1							
(10)	357 972 531	contact carrier	28 pin	1							
		for single wiring:	000 979 002	X							
11	7M0 972 529 B	terminal pin housing	28 pin blue	1							
		for single wiring:	000 979 002	X 0,5							
12	1J0 906 379 B	flat contact housing	28 pin	1							
		connecting piece									
		electronic control unit									
		for single wiring:	000 979 131	X 1,0							
			000 979 131 A	X 1,0							

Model	Year	MG	SG	Illustration	VIN No.	Update	14:52	18.02.20100		ETKA	
EL	90	9	71	972-45		336					





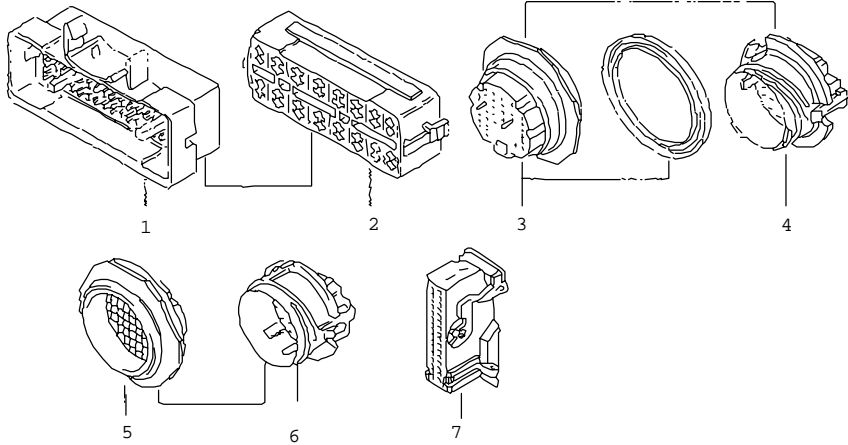
Pos	Part Number	Name	Remarks	Qty	Model
1	861 972 501 A	connector housing	29 pin		
		rd. connector sleeve housing		X	1,0
		for single wiring:	000 979 108	X	1,0
			000 979 110	X	2,5
			000 979 208	X	2,5
			000 979 211	X	4,0
2	861 972 998 A	round connector housing		X	
		for single wiring:	000 979 109	X	1,0
			000 979 111	X	2,5
			000 979 209	X	2,5
			000 979 210	X	4,0
			000 979 304	X	
3	1J0 959 382	flat contact housing with helper contact catch	29 pin	1	
		electronic control unit	passenger door		
		for single wiring:	000 979 131	X	1,0
			000 979 133	X	2,5
4	1J0 959 382 B	flat contact housing with helper contact catch	29 pin	1	
		electronic control unit	passenger door		
		for single wiring:	000 979 131	X	1,0
			000 979 133	X	2,5
5	7M0 959 740	flat contact housing mounting a pillar	29 pin	1	
		for contact housing:	3A0 972 701 H		
			3A0 972 703 H		
			3A0 972 706 H		
			3A0 972 709		
			7M0 972 710		
6	7M0 959 735	flat contact housing	29 pin	1	
		for single wiring:	000 979 132	X	1,0
			000 979 129	X	1,0
			000 979 219	X	2,5

Model	Year	MG	SG	Illustration	VIN No.	Update	14:52	18.02.20100		ETKA	
EL	90	9	71	972-50		336					





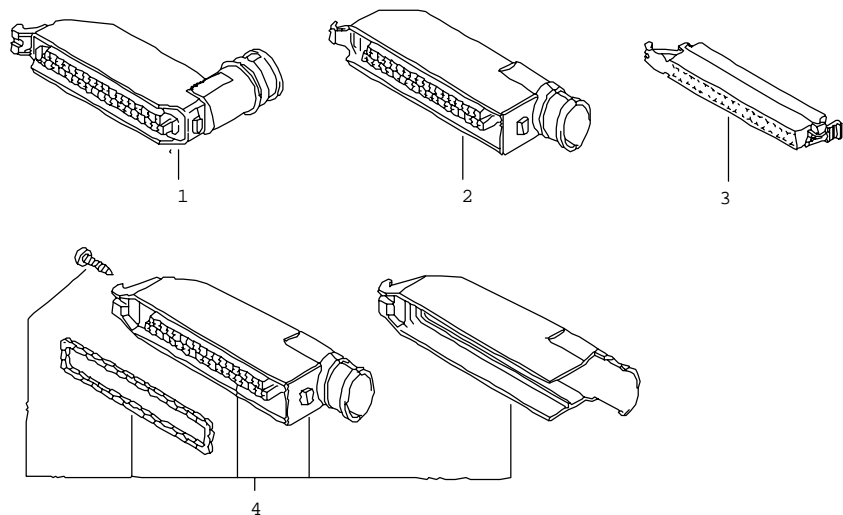
Pos	Part Number	Name	Remarks	Qty	Model
		connector housing	31 pin		
1	8D0 971 977	flat contact housing with helper contact catch	31 pin	1	
		for single wiring:	000 979 131	X	1,0
			000 979 131 A	X	1,0
			000 979 227	X	2,5
			000 979 306	X	4,0

Model	Year	MG	SG	Illustration	VIN No.	Update	14:53	18.02.20100		ETKA	
EL	90	9	71	972-55		336					





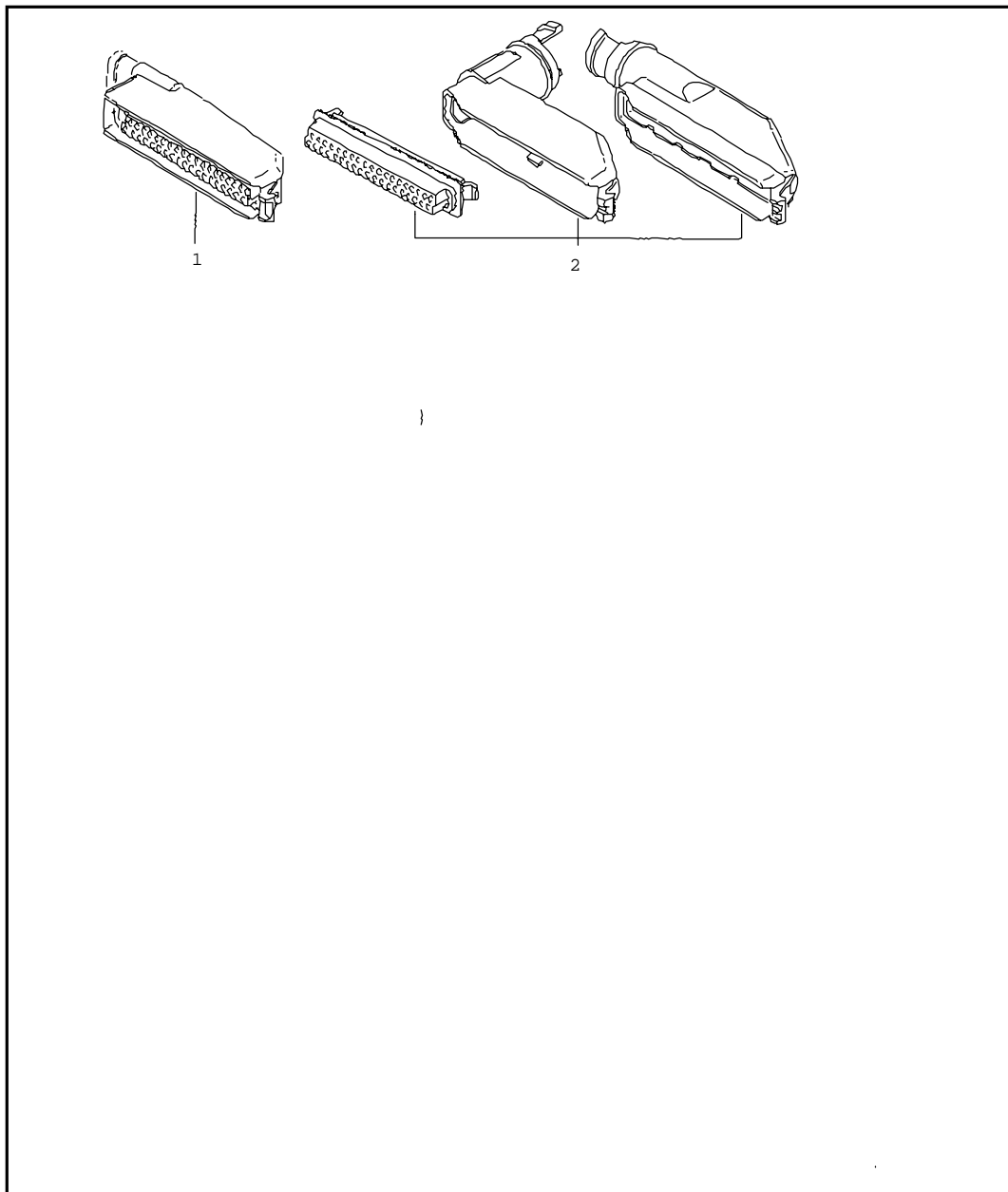
Pos	Part Number	Name	Remarks	Qty	Model
		connector housing	32 pin		
1	191 972 998	flat connector housing for single wiring:	000 979 104 000 979 203 000 979 409	X X X	1,0 2,5 6,0
2	867 972 999 E	flat contact housing for single wiring:	000 979 107 000 979 204 000 979 402	X X X	1,0 2,5 6,0
3	---	discontinued / replacement:	3A0 959 735 C		
4	---	discontinued / replacement: a pillar	3A0 959 741 A		
5	3A0 959 735 C	flat contact housing for single wiring:	32 pin 000 979 129 000 979 130 000 979 219 000 979 220 000 979 302	1 X X X X X	1,0 1,0 2,5 2,5 4,0
6	3A0 959 741 A	flat contact housing mounting a pillar	32 pin	1	
7	8L0 972 977 C	flat contact housing with cap connecting piece combi instrument for single wiring:	32 pin green 000 979 003 A	1 X	0,5
(7)	8L0 972 977 D	flat contact housing with cap connecting piece combi instrument for single wiring:	32 pin blue 000 979 003 A	1 X	0,5

Model	Year	MG	SG	Illustration	VIN No.	Update	14:53	18.02.20100		ETKA	
EL	90	9	71	972-65		336					





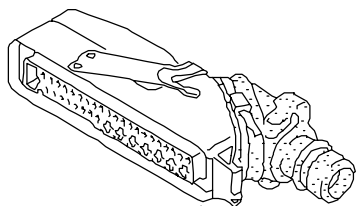
Pos	Part Number	Name	Remarks	Qty	Model
		connector housing	35 pin		
1	3A0 906 370	flat contact housing with gasket		X	
		for single wiring:	000 979 133	X	1,0
			000 979 133 A	X	1,0
			000 979 217	X	2,5
2	191 906 370 A	flat contact housing with gasket		X	
		for single wiring:	000 979 133	X	1,0
			000 979 133 A	X	1,0
			000 979 217	X	2,5
3	443 972 963	flat contact housing		X	
		for single wiring:	000 979 133	X	1,0
			000 979 133 A	X	1,0
			000 979 217	X	2,5
4	251 906 370 A	flat contact housing	35 pin	1	
		for single wiring:	000 979 133	X	1,0
			000 979 133 A	X	1,0
			000 979 217	X	2,5
		rework if necessary adapt with workshop equipment			
(4)	357 906 370 C	flat contact housing with gasket	35 pin	1	
		for single wiring:	000 979 133	X	1,0
			000 979 133 A	X	1,0
			000 979 217	X	2,5

Model	Year	MG	SG	Illustration	VIN No.	Update	14:53	18.02.20100		ETKA	
EL	90	9	71	972-70		336					

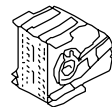


Pos	Part Number	Name	Remarks	Qty	Model
		connector housing	38 pin		
1	191 906 370	flat contact housing with gasket		X	
		for single wiring:	000 979 133	X	1,0
			000 979 133 A	X	1,0
			000 979 217	X	2,5
2	701 906 365	flat contact housing with gasket		X	
		for single wiring:	000 979 133	X	1,0
			000 979 133 A	X	1,0
			000 979 217	X	2,5

Model	Year	MG	SG	Illustration	VIN No.	Update	14:54	18.02.20100		ETKA	
EL	90	9	71	972-75		336					





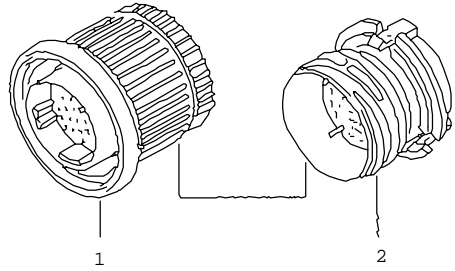
1





2

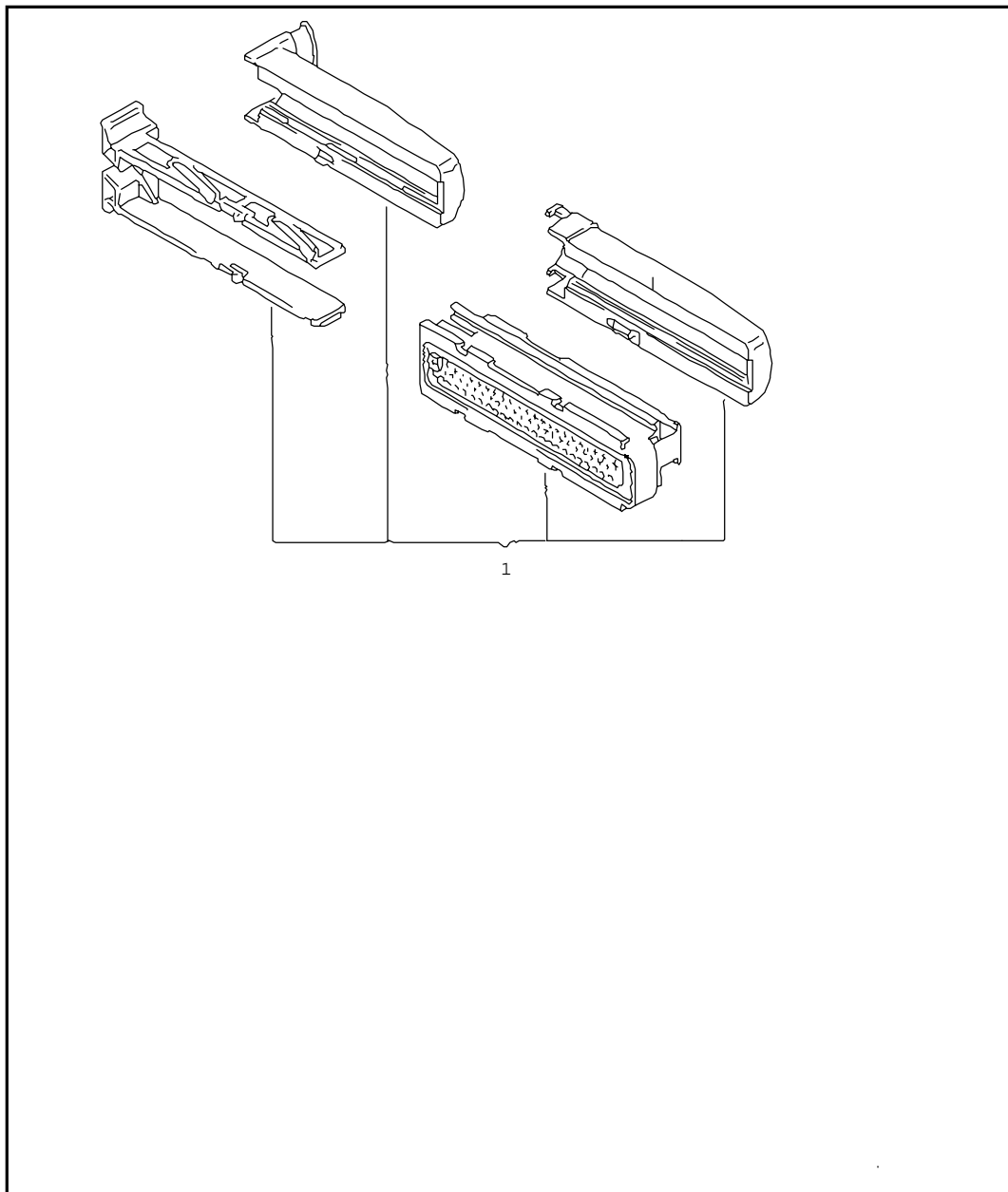
Pos	Part Number	Name	Remarks	Qty	Model
		connector housing	40 pin		
1	7D0 907 495	flat contact housing for single wiring:	40 pin 000 979 131 000 979 227 000 979 407	1 X 1,0 X 2,5 X 4,0	
(1)	2D0 971 989 DD	flat contact housing connecting piece abs unit for single wiring:	40 pin 000 979 131 000 979 227 000 979 407	1 X 1,0 X 2,5 X 4,0	
2	4B0 906 231	flat contact housing with cap for single wiring:	40 pin 000 979 003 A	1 X 0,5	
-	038 906 379 A	flat contact housing electronic control unit for single wiring:	40 pin 000 979 003 000 979 133 000 979 133 A 000 979 225 000 979 225 A	1 X 0,5 X 1,0 X 1,0 X 2,5 X 2,5	

Model	Year	MG	SG	Illustration	VIN No.	Update	14:54	18.02.20100		ETKA	
EL	90	9	71	972-80		336					

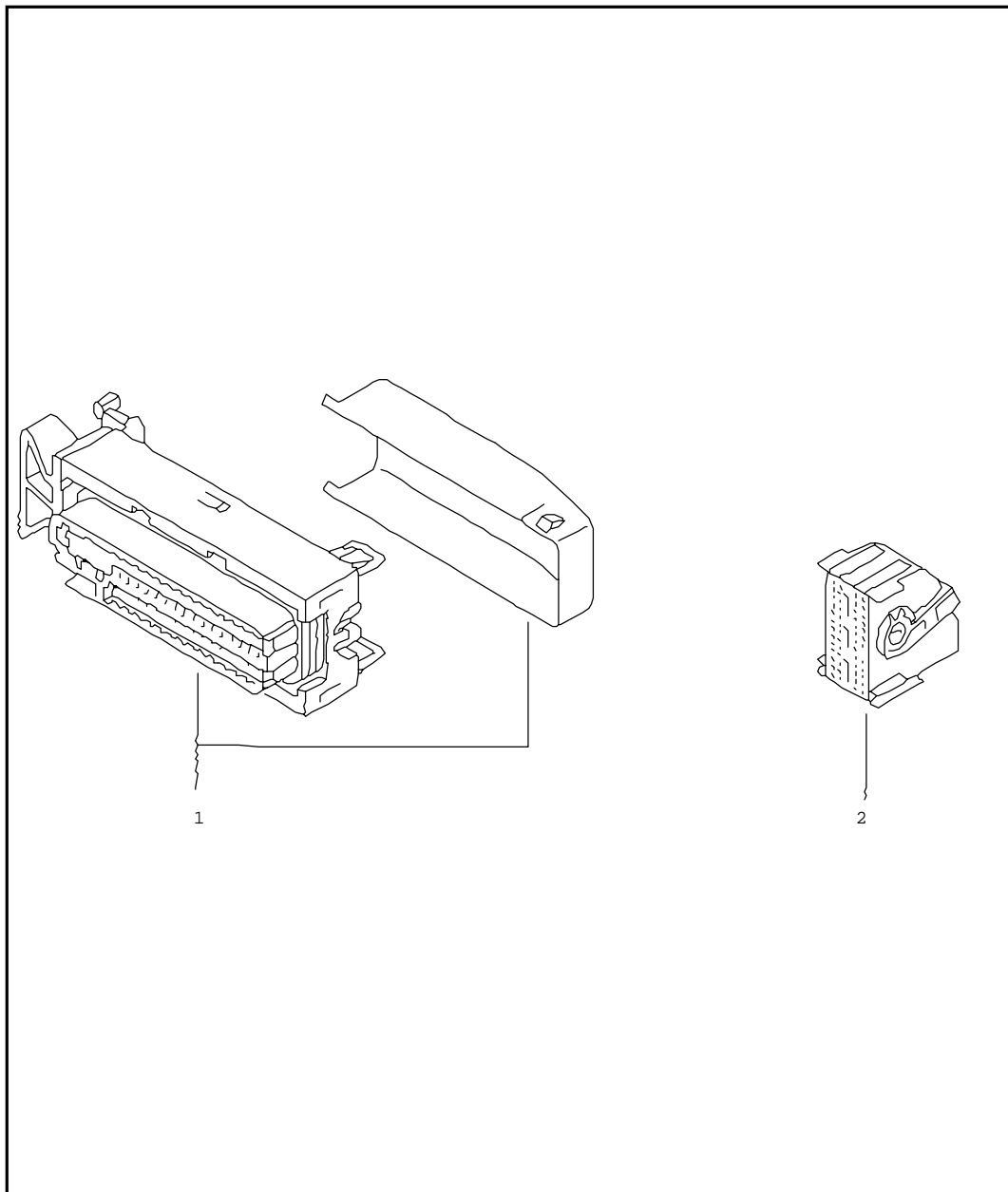


Pos	Part Number	Name	Remarks	Qty	Model
1	1H0 973 103 B	connector housing flat contact housing with gasket for single wiring:	42 pin 000 979 131 000 979 131 A 000 979 133 000 979 133 A 000 979 217	X X X X X	1,0 1,0 1,0 1,0 2,5
2	1H0 973 131 B	flat connector housing for single wiring:	000 979 132 000 979 132 A 000 979 129 000 979 219	X X X X	1,0 1,0 1,0 2,5



Model	Year	MG	SG	Illustration	VIN No.	Update	14:54	18.02.20100		ETKA	
EL	90	9	71	972-85		336					

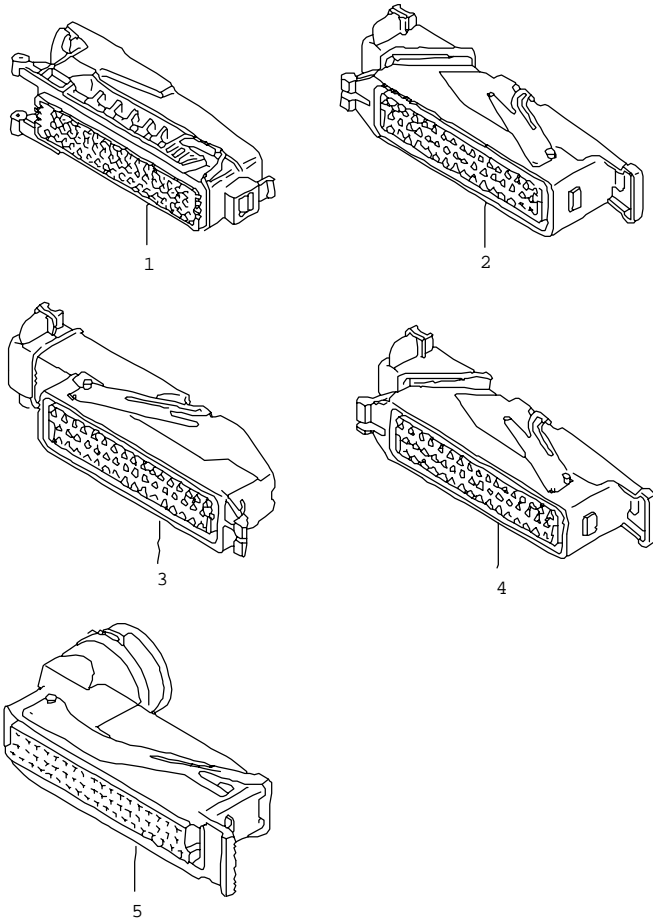


Pos	Part Number	Name	Remarks	Qty	Model
		connector housing	45 pin 47 POLIG		
		connector housing	45 pin		
1	1H0 906 370 H	flat contact housing with gasket for single wiring:	000 979 131 000 979 131 A 000 979 133 000 979 133 A 000 979 217	X X X X X	1,0 1,0 1,0 1,0 2,5
(1)	1H0 906 370 M	flat contact housing with gasket for single wiring:	000 979 131 000 979 131 A 000 979 133 000 979 133 A 000 979 217	X X X X X	1,0 1,0 1,0 1,0 2,5
(1)	--- --- --- .	discontinued / replacement:	1H0 906 370 K		
-	1J0 973 047	connector housing flat contact housing with helper contact catch electronic control unit for anti-locking brake system-abs- for single wiring:	47 POLIG 47 pin 000 979 131 000 979 131 A 000 979 135 000 979 227 000 979 306 000 979 407	 X X X X X X	 1,0 1,0 1,0 2,5 4,0 6,0





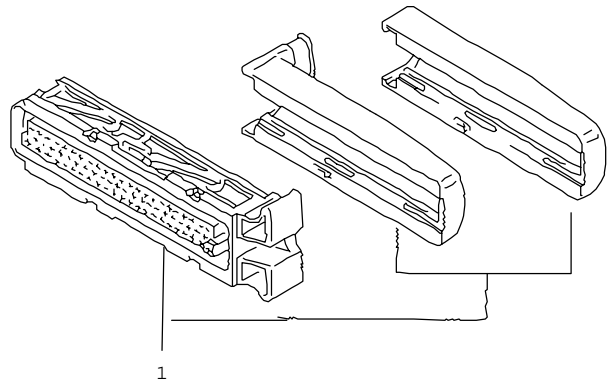
Pos	Part Number	Name	Remarks	Qty	Model
1	1J0 906 380 B	connector housing flat contact housing connecting piece electronic control unit for single wiring:	52 pin 52 pin 000 979 131 000 979 131 A	1 X 1,0 X 1,0	
2	4B0 906 232	flat contact housing with cap for single wiring:	52 pin 000 979 003 A	1 X 0,5	

Model	Year	MG	SG	Illustration	VIN No.	Update	14:54	18.02.20100		ETKA	
EL	90	9	71	972-95		336					





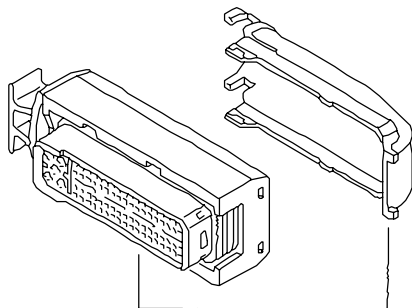
Pos	Part Number	Name	Remarks	Qty	Model
1	357 907 495	connector housing flat contact housing for single wiring:	55 pin 000 979 133 000 979 133 A 000 979 217	X X X X	1,0 1,0 2,5
2	441 972 963 B	flat contact housing with gasket for single wiring:	000 979 133 000 979 133 A 000 979 217	X X X	1,0 1,0 2,5
3	442 972 963	flat contact housing with gasket for single wiring:	000 979 133 000 979 133 A 000 979 217	X X X	1,0 1,0 2,5
4	442 972 963 A	connecting strip for single wiring:	000 979 133 000 979 133 A 000 979 217	X X X	1,0 1,0 2,5
5	357 907 495 A	flat contact housing with gasket for single wiring:	000 979 133 000 979 133 A 000 979 217	X X X	1,0 1,0 2,5

Model	Year	MG	SG	Illustration	VIN No.	Update	14:55	18.02.20100		ETKA	
EL	90	9	71	973-00		336					



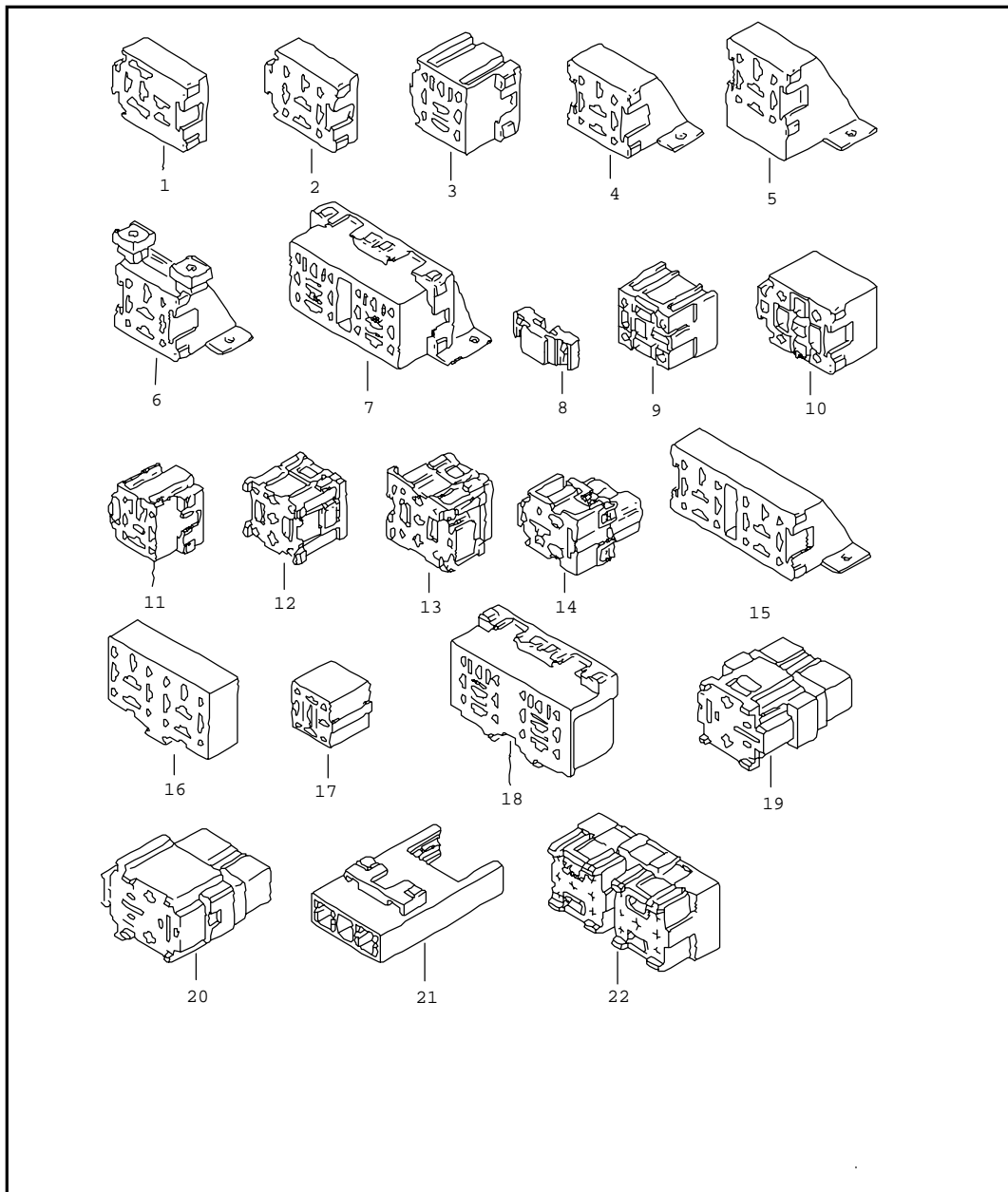
Pos	Part Number	Name	Remarks	Qty	Model
		connector housing	68 pin		
1	1H0 906 365	flat contact housing with gasket	68 pin	1	
		for single wiring:	000 979 131	X	1,0
			000 979 131 A	X	1,0
			000 979 133	X	1,0
			000 979 133 A	X	1,0
			000 979 217	X	2,5
(1)	1H0 906 370 J	flat contact housing with gasket	68 pin	1	
		for single wiring:	000 979 131	X	1,0
			000 979 131 A	X	1,0
			000 979 133	X	1,0
			000 979 133 A	X	1,0
			000 979 217	X	2,5

Model	Year	MG	SG	Illustration	VIN No.	Update	14:55	18.02.20100		ETKA	
EL	90	9	71	973-05		336					





1



Pos	Part Number	Name	Remarks	Qty	Model
-	1J0 906 385 A	connector housing flat contact housing electronic control unit for single wiring:	81 POLIG 81 POLIG 000 979 003 000 979 133 000 979 133 A 000 979 225 000 979 225 A	1 X X X X X	0,5 1,0 1,0 2,5 2,5
-	3B0 906 385	flat contact housing electronic control unit	81 POLIG	1	





Pos	Part Number	Name	Remarks	Qty	Model
1	135 937 501	relay plate			
		relay plate	8 pin	X	
		for single wiring:	000 979 107	X	1,0
			000 979 204	X	2,5
			000 979 402	X	6,0
2	135 937 501 A	relay plate			
		relay plate	9 pin	X	
		for single wiring:	000 979 105	X	1,0
			000 979 107	X	1,0
			000 979 204	X	2,5
			000 979 402	X	6,0
3	161 937 501 B	relay plate			
		relay plate	9 pin	X	
		for single wiring:	000 979 105	X	1,0
			000 979 107	X	1,0
			000 979 204	X	2,5
			000 979 402	X	6,0
4	251 937 501	relay plate			
		relay plate	9 pin	X	
		for single wiring:	000 979 105	X	1,0
			000 979 107	X	1,0
			000 979 204	X	2,5
			000 979 402	X	6,0
5	---	discontinued / replacement:	251 937 501 B	X	
6	251 937 501 B	relay plate			
		relay plate	9 pin	X	
		for single wiring:	000 979 105	X	1,0
			000 979 107	X	1,0
			000 979 204	X	2,5
			000 979 402	X	6,0
			000 979 408	X	6,0
7	251 937 501 C	relay plate			
		relay plate	18 pin	X	
		for single wiring:	000 979 105	X	1,0
			000 979 107	X	1,0
			000 979 204	X	2,5
			000 979 402	X	6,0
8	251 937 501 D	spacer		X	
9	443 937 501	relay plate			
		relay plate	9 pin	X	
		for single wiring:	000 979 114	X	1,0
			000 979 133	X	1,0
			000 979 133 A	X	1,0
			000 979 212	X	2,5
			000 979 217	X	2,5
			000 979 405	X	6,0

Model	Year	MG	SG	Illustration	VIN No.	Update	16:30	18.02.20100		ETKA	
EL	90	9	71	973-60		336					



Pos	Part Number	Name	Remarks	Qty	Model	Pos	Part Number	Name	Remarks	Qty	Model
10	443 937 501 B	relay plate	9 pin	X					000 979 212	X	2,5
		for single wiring:	000 979 114	X	1,0				000 979 217	X	2,5
			000 979 133	X	1,0				000 979 227	X	2,5
			000 979 133 A	X	1,0				000 979 405	X	6,0
			000 979 212	X	2,5				000 979 407	X	6,0
			000 979 217	X	2,5						
			000 979 405	X	6,0						
11	867 937 501	relay plate	9 pin	X		14	447 937 528 A	relay plate	5 pin	X	
		for single wiring:	000 979 105	X	1,0			for single wiring:	000 979 114	X	1,0
			000 979 107	X	1,0				000 979 133	X	1,0
			000 979 204	X	2,5				000 979 133 A	X	1,0
			000 979 402	X	6,0				000 979 212	X	2,5
			000 979 408	X	6,0				000 979 217	X	2,5
									000 979 405	X	6,0
12	443 937 527	relay plate	9 pin	X		(14)	2D0 937 501 A	relay plate	5 pin	1	
		for single wiring:	000 979 114	X	1,0	(14)	2D0 937 501 G	relay plate	4 pin	1	
			000 979 133	X	1,0	15	321 941 845	relay plate	18 pin	X	
			000 979 133 A	X	1,0			for single wiring:	000 979 105	X	1,0
			000 979 135	X	1,0				000 979 107	X	1,0
			000 979 212	X	2,5				000 979 204	X	2,5
			000 979 217	X	2,5				000 979 402	X	6,0
			000 979 227	X	2,5	16	531 941 845	relay plate	18 pin	X	
			000 979 405	X	6,0			for single wiring:	000 979 105	X	1,0
			000 979 407	X	6,0				000 979 107	X	1,0
(12)	3B0 937 527	relay plate	9 pin	X		17	849 941 593	relay plate	9 pin	X	
		for single wiring:	000 979 133	X	1,0			for single wiring:	000 979 105	X	1,0
			000 979 133 A	X	1,0				000 979 107	X	1,0
			000 979 236	X	2,5				000 979 204	X	2,5
			000 979 411	X	6,0				000 979 402	X	6,0
(12)	4B0 937 527	relay plate	6 pin	X		18	357 937 501	relay plate	18 pin	X	
		for single wiring:	000 979 144	X	1,0			for single wiring:	000 979 105	X	1,0
			000 979 236	X	2,5				000 979 107	X	1,0
			000 979 306	X	4,0				000 979 204	X	2,5
									000 979 402	X	6,0
13	443 937 528	relay plate	9 pin	X		19	>4A0 937 527	relay plate	4 pin	X	
		for single wiring:	000 979 114	X	1,0			for single wiring:	000 979 107	X	1,0
			000 979 133	X	1,0				000 979 133	X	1,0
			000 979 133 A	X	1,0				000 979 133 A	X	1,0
			000 979 135	X	1,0				000 979 135	X	1,0
									000 979 217	X	2,5
									000 979 227	X	2,5
									000 979 407	X	6,0

Model	Year	MG	SG	Illustration	VIN No.	Update	16:30	18.02.20100		ETKA	
EL	90	9	71	973-60		336					



Pos	Part Number	Name	Remarks	Qty	Model	Pos	Part Number	Name	Remarks	Qty	Model
(19)	7M0 937 527	relay plate	9 pin	1							
		for single wiring:	000 979 133	X	1,0						
			000 979 133 A	X	1,0						
			000 979 135	X	1,0						
			000 979 225	X	2,5						
			000 979 227	X	2,5						
			000 979 236	X	2,5						
			000 979 306	X	4,0						
			000 979 407	X	6,0						
20	441 937 528	relay plate	4 pin	X							
		for single wiring:	000 979 126	X	1,0						
			000 979 217	X	2,5						
			000 979 406	X	6,0						
(20)	7M0 937 528	relay plate	9 pin	X							
22	4A0 937 529	dual relay plate		X							
		for single wiring:	000 979 114	X	1,0						
			000 979 133	X	1,0						
			000 979 133 A	X	1,0						
			000 979 135	X	1,0						
			000 979 212	X	2,5						
			000 979 217	X	2,5						
			000 979 227	X	2,5						
(22)	2D0 937 501 J	relay plate	10 pin	1							

Model	Year	MG	SG	Illustration	VIN No.	Update	15:00	18.02.20100		ETKA	
EL	90	9	71	973-80		336					



Pos	Part Number	Name	Remarks	Qty	Model
		flat contact housing airbag wiring harness			
-	4D0 972 571	flat contact housing airbag for single wiring:	2 pin yellow 000 979 010 A	X	
-	4D0 972 575	flat connector housing airbag unit for single wiring:	2 pin yellow 000 979 015 A	X	
-	8D0 971 969	round connector housing airbag for single wiring:	3 pin orange 000 979 015 A	X	
-	8D0 971 974	round connector housing airbag for single wiring:	3 pin orange 000 979 010 A	1	
-	6X0 972 773	flat contact housing airbag for single wiring:	3 pin yellow 000 979 131 A	X	
-	6X0 972 783	flat contact housing airbag for single wiring:	3 pin yellow 000 979 132 A	X	
-	6N0 972 571	flat contact housing side airbag unit for single wiring:	4 pin yellow 000 979 010 A	X	
(-)	8D0 972 586	flat contact housing side airbag unit for single wiring:	4 pin yellow 000 979 010 A	X	
-	6N0 972 575	flat contact housing side airbag unit for single wiring:	4 pin yellow 000 979 015 A	X	
(-)	8D0 972 576	flat contact housing side airbag unit for single wiring:	4 pin yellow 000 979 015 A	X	
-	1H0 972 479	flat contact housing airbag for single wiring:	2 pin yellow 000 979 008 A	2	
-	1J0 973 605 B	flat contact housing cancelling ring with slip ring for single wiring:	5 pin yellow 000 979 008 A	1	

Model	Year	MG	SG	Illustration	VIN No.	Update	15:00	18.02.20100		ETKA	
EL	90	9	71	973-80		336					

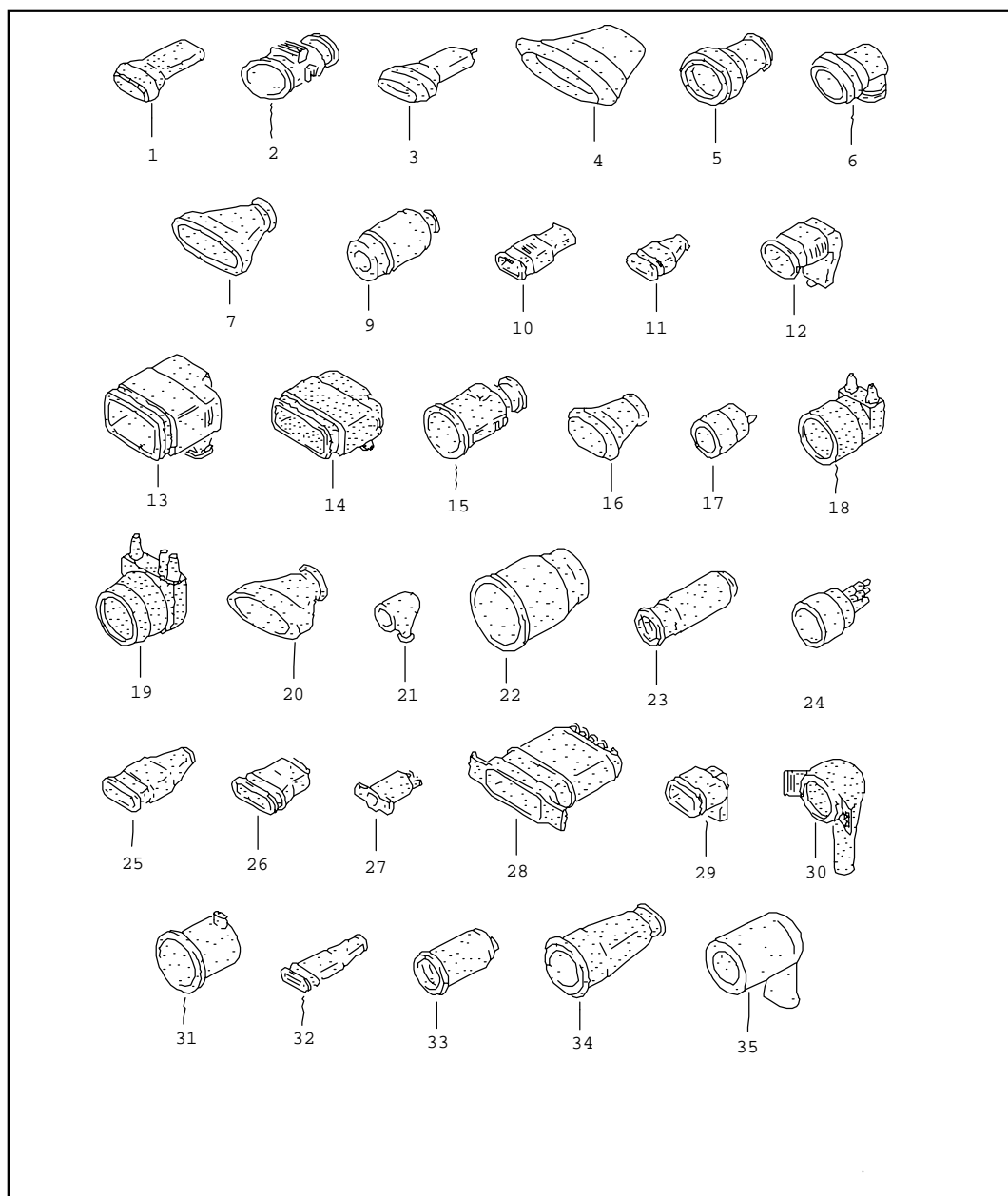
Pos	Part Number	Name	Remarks	Qty	Model	Pos	Part Number	Name	Remarks	Qty	Model
-	1J0 973 605 D	flat connector housing with additional contact catch cancelling ring with slip ring for single wiring:	5 pin yellow 000 979 003 A	1 X		-	3B0 972 510	flat connector housing control unit for driver/front passenger and side airbags for single wiring:	50 POLIG GELB/GRAU 000 979 010 A	1 X	
		flat contact housing with cap control unit for driver/front passenger, side airbags and head airbag				-	3B0 972 510 A	flat connector housing control unit for driver and passenger airbag for single wiring:	50 POLIG GELB/BRAUN 000 979 010 A	1 X	
-	701 972 510	flat contact housing control unit for driver and passenger airbag for single wiring:	30 pin orange/black 000 979 008 A	1 X		-	3B0 972 510 D	flat connector housing control unit for driver/front passenger, side airbags and head airbag for single wiring:	50 POLIG GELB/WEINROT 000 979 010 A	1 X	
-	2D0 973 374	flat connector housing electronic control unit airbag for single wiring:	30 pin orange 000 979 010 A	1 X		-	6Q0 972 509	flat connector housing control unit for driver and passenger airbag for single wiring:	75 POLIG GELB/BLAU 000 979 010 A	1 X	
-	4A0 973 373	flat contact housing with cap for single wiring:	30 pin black/orange 000 979 010 A	1 X		-	6Q0 972 509 A	flat connector housing control unit for driver/front passenger and side airbags for single wiring:	75 POLIG GELB/GRAU 000 979 010 A	1 X	
-	4D0 973 373	flat connector housing control unit for airbag for vehicles with side airbag for single wiring:	50 pin yellow/orange 000 979 010 A	1 X		-	6Q0 972 509 D	flat connector housing control unit for driver and passenger airbag for single wiring:	75 POLIG GELB/GELB 000 979 010 A	1 X	
-	4D0 973 373 A	flat connector housing control unit for driver and passenger airbag for single wiring:	50 pin yellow/white 000 979 010 A	1 X		-	6Q0 972 509 E	flat connector housing control unit for driver/front passenger and side airbags for single wiring:	75 POLIG GELB/LEHMBRAUN 000 979 010 A	1 X	
-	4D0 973 373 B	flat connector housing control unit for driver/front passenger and side airbags for single wiring:	50 pin yellow/green 000 979 010 A	1 X		-	6Q0 972 509 F	flat connector housing control unit for driver/front passenger, side airbags and head airbag for single wiring:	75 POLIG GELB/TUERKIS 000 979 010 A	1 X	
-	4D0 973 373 C	flat connector housing control unit for driver and passenger airbag for single wiring:	50 pin yellow/blue 000 979 010 A	1 X		-	8D0 972 571 AA	flat connector housing control unit for driver/front passenger and side airbags for single wiring:	84 POLIG orange 000 979 010 A	1 X	
-	4D1 973 373	cap with securing clip	white/yellow	1		-	8D0 972 571 AB	flat connector housing control unit for driver/front passenger and side airbags for vehicles with head airbag for single wiring:	84 POLIG white 000 979 010 A	1 X	

Model	Year	MG	SG	Illustration	VIN No.	Update	16:31	18.02.20100		ETKA	
EL	90	9	71	973-90		336					



Pos	Part Number	Name	Remarks	Qty	Model	Pos	Part Number	Name	Remarks	Qty	Model
20	1J0 971 921 C	protective cap		1							
21	1J0 971 921 E	protective cap		1							
22	1J0 971 921 F	grommet connecting piece flat contact housing	1J0 973 726	2							
23	036 971 921 A	grommet		1							

Model	Year	MG	SG	Illustration	VIN No.	Update	15:00	18.02.20100		ETKA	
EL	90	9	71	973-98		336					



Pos	Part Number	Name	Remarks	Qty	Model
		cap with securing clip flat contact housing with cap electronic control unit airbag			
-	701 972 515	cap with securing clip	orange/black	1	
-	4A0 973 373 A	cap with securing clip	black/orange	1	
-	2D0 973 373	cap with securing clip	orange orange	1	
		cap with securing clip			
-	4D0 973 374	cap with securing clip control unit for airbag for vehicles with side airbag	yellow/orange	1	
-	4D0 973 374 A	cap with securing clip control unit for airbag	yellow/white	1	
-	4D0 973 374 B	cap with securing clip control unit for airbag for vehicles with side airbag	yellow/green	1	
-	4D0 973 374 C	cap with securing clip control unit for airbag	yellow/blue	1	
-	3B0 973 510	cap with securing clip connecting piece control unit for airbag for vehicles with side airbag	GELB/GRAU	1	
-	3B0 973 510 A	cap with securing clip connecting piece control unit for airbag	GELB/BRAUN	1	





Pos	Part Number	Name	Remarks	Qty	Model
		grommet for connector housing	single wiring		
1	701 905 142	protective cap	16X6,5	X	
2	191 905 900 A	protective cap		X	
3	191 906 102	protective cap		X	
4	037 906 102 A	protective cap		X	
5	443 906 102 B	grommet	18X20,5	X	
6	443 906 102 C	grommet	18X20,5	X	
7	443 906 102 D	grommet		X	
8	--- --- --- .	discontinued / replacement:	357 906 732 B	X	
9	191 919 083	protective cap	32X10	X	
10	447 919 141	protective cap		X	
11	281 919 141 A	protective cap		X	
12	--- --- ---	no longer available		X	
13	191 919 141 B	protective cap		X	
14	191 919 141 C	protective cap		X	
15	191 919 459	protective cap		X	
16	191 927 907	protective cap	16X25	X	
17	111 945 521	boot		X	
18		discontinued / replacement:	111 945 521		
19	211 945 521 C	protective cap		X	
20	893 945 521	protective cap	28X10,7	X	
21	191 951 195	grommet	9,8X2	X	
22	431 953 331	grommet	39,5X1,5	X	
22	431 953 331	grommet	39,5X1,5	X	
23	447 953 331 A	grommet	15X48	X	
24	171 957 911	boot		X	
25	171 959 459	protective cap		X	
26	431 959 841	grommet		X	

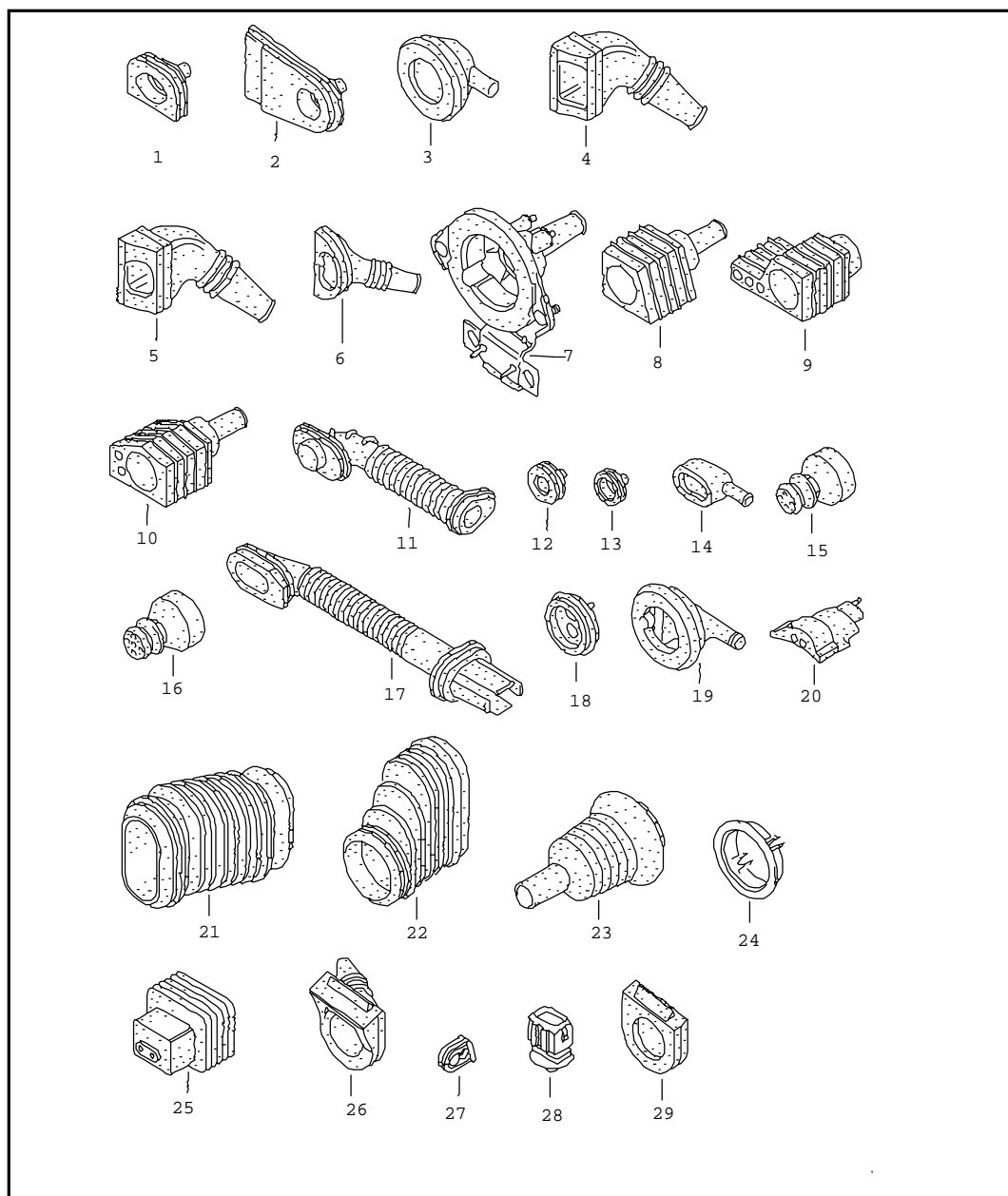
Model	Year	MG	SG	Illustration	VIN No.	Update	16:32	18.02.20100		ETKA	
EL	90	9	71	976-00		336					

Pos	Part Number	Name	Remarks	Qty	Model	Pos	Part Number	Name	Remarks	Qty	Model
27	211 963 035 A	protective cap		X							
28	251 963 211 B	protective cap		X							
29	443 971 239	grommet		X							
30	--- --- ---	no longer available									
31	433 971 867	grommet		X							
32	443 971 867	grommet	8,5	X							
33	--- --- ---	no longer available									
35	861 971 868	grommet		X							



Model	Year	MG	SG	Illustration	VIN No.	Update	16:32	18.02.20100		ETKA	
EL	90	9	71	976-01		336					

Pos	Part Number	Name	Remarks	Qty	Model	Pos	Part Number	Name	Remarks	Qty	Model
28	4D0 971 911	grommet		1							

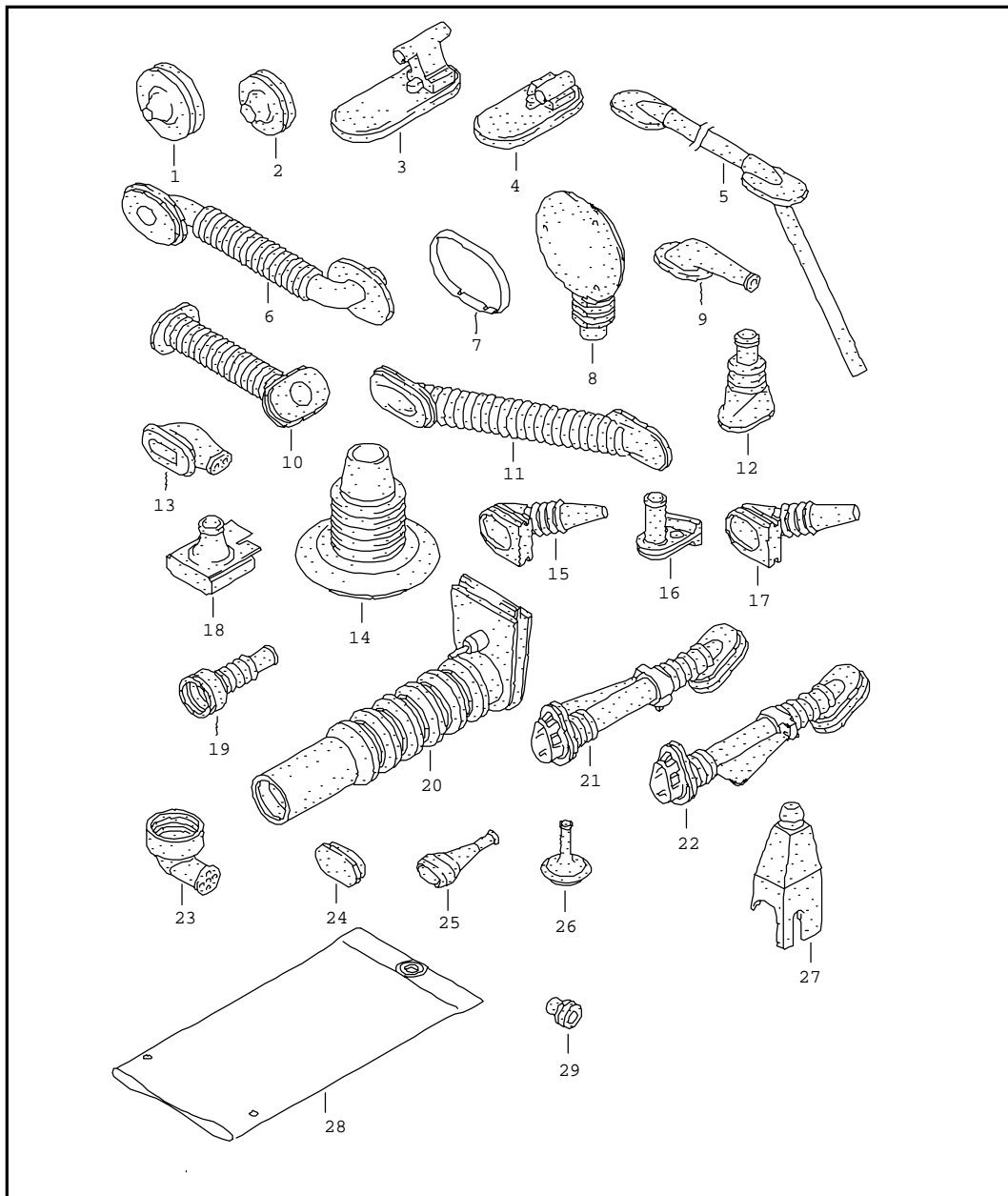
Model	Year	MG	SG	Illustration	VIN No.	Update	16:33	18.02.20100		ETKA	
EL	90	9	71	976-02		336					





Pos	Part Number	Name	Remarks	Qty	Model
		grommet for connector housing			
1	1J0 941 389	grommet		1	
2	1J0 941 389 B	grommet		1	
3	1J0 971 903	grommet		1	
4	1J0 971 905	grommet		1	
5	1J0 971 905 B	grommet		1	
6	1J0 971 905 C	grommet		1	
7	1J0 971 915 C	grommet		1	
8	1J0 971 984 D	grommet		1	
9	1J0 971 984 E	grommet		1	
10	1J0 971 984 F	grommet		1	
11	1J6 971 840	grommet		1	
12	2D0 906 376 F	grommet		1	
13	2D0 906 376 H	grommet		1	
14	8D0 906 102 A	protective cap	angled	X	
15	4A0 941 189	grommet	28	1	
16	8D0 941 189	grommet		1	
17	4B9 971 840	grommet		1	
18	4B0 971 841 B	grommet	34MM	1	
19	4B0 971 908	grommet	41/8	1	
20	4B0 971 841 D	grommet		1	
		wiring loom for fuel gauge sender			
21	8D0 959 845 F	bellows with retaining frame door	60X36/60X36 front	2	
22	8D0 959 845 E	bellows with retaining frame door	37,5X78,5/40 rear	2	
23	1H0 971 840 C	grommet		1	
24	1H0 973 132	ring	49.8X11.8	1	

Model	Year	MG	SG	Illustration	VIN No.	Update	16:33	18.02.20100		ETKA	
EL	90	9	71	976-02		336					



Pos	Part Number	Name	Remarks	Qty	Model	Pos	Part Number	Name	Remarks	Qty	Model
25	8D0 906 102 B	grommet connecting piece flat contact housing fan		1							
26	1H0 971 905 J	grommet	39/6 rhd	1							
27	6H0 971 908	plug		1							
28	6N0 971 918 A	plug		1							
29	6N0 971 908 C	plug		1							

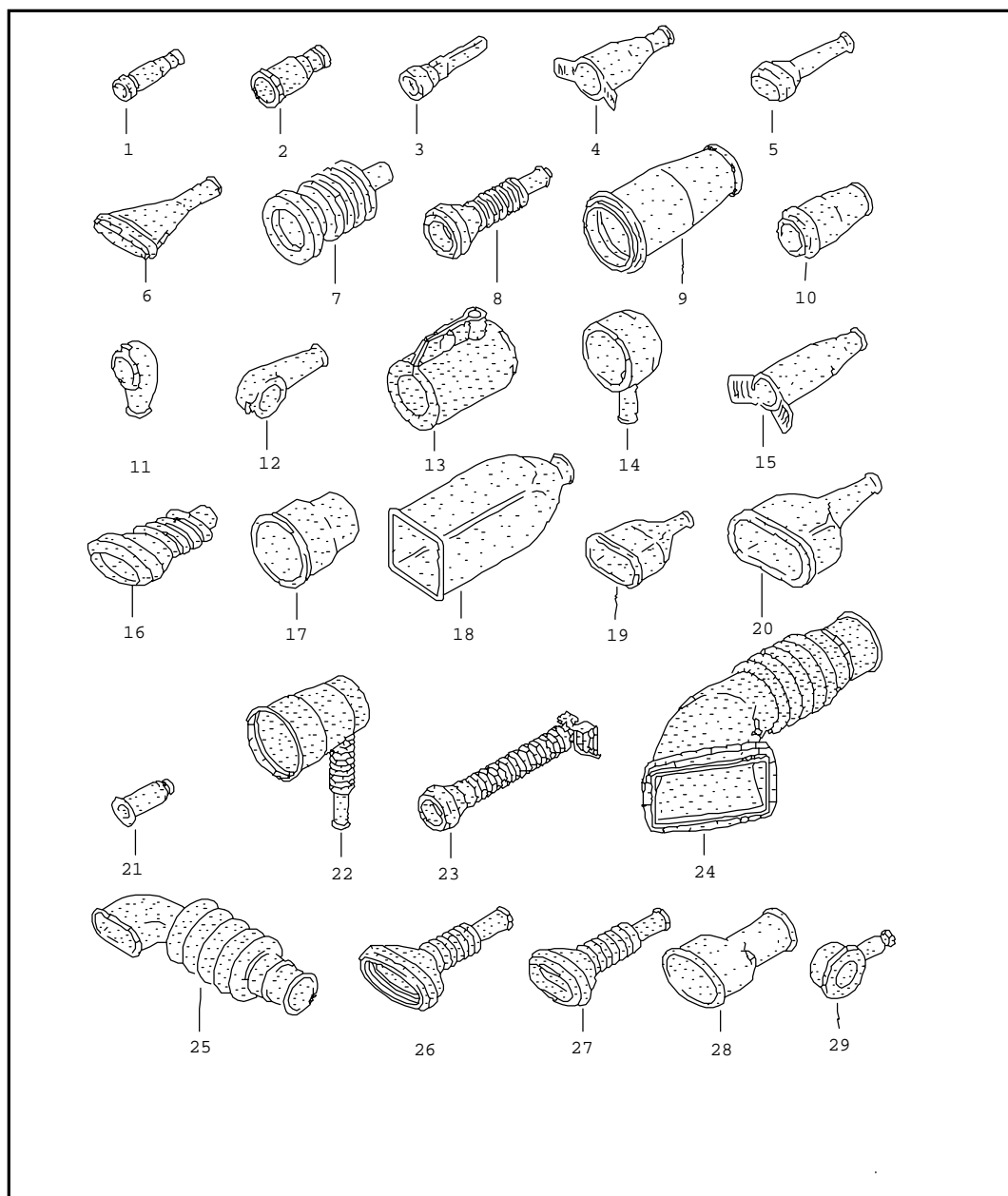


Pos	Part Number	Name	Remarks	Qty	Model
		grommet for body			
1	2D0 906 376 M	grommet side marker light		1	
2	2D0 906 376 N	grommet for additional heater		1	
3	3B0 955 837 B	grommet spraying jet	left	1	
4	3B0 955 837 C	grommet spraying jet	right	1	
5	3B5 971 840	grommet flap, rear		1	
6	3B9 971 840	grommet flap, rear		1	
7	3B9 971 905	grommet flap, rear		1	
8	4A0 945 527	grommet towing attachment (ball type)		1	
9	6K5 971 907	grommet		X	
10	6K6 971 840 B	grommet		1	
11	6K9 971 840 A	grommet		1	
12	7D0 945 527	grommet		1	
13	7M0 927 909	grommet		1	
14	7M0 971 840 C	grommet		1	
15	7M0 971 905 B	grommet		1	
16	7M0 971 905 L	grommet		1	
17	7M0 971 905 D	grommet		1	
18	7M0 971 905 F	grommet		1	
18	7M0 971 905 F	grommet		1	
19	8D0 972 525	grommet		1	5 speed automatic
20	8D2 971 871 B	grommet loom for engine compartment	rhd	1	



Model	Year	MG	SG	Illustration	VIN No.	Update	16:36	18.02.20100		ETKA	
EL	90	9	71	976-03		336					

Pos	Part Number	Name	Remarks	Qty	Model	Pos	Part Number	Name	Remarks	Qty	Model
21	6X0 971 829 B	grommet loom for luggage compl. rear		1							
22	6X0 971 829 C	grommet loom for luggage compl. rear	right upper	1							
23	8L0 941 189	grommet		1							
24	7M0 971 908 B	grommet	16X32	1							
25	893 906 102	grommet	17,5X22	1							
26	7M0 971 913	grommet	24X4,5	1							
27	7M0 971 841 B	grommet		1							
28	2D0 906 376	grommet	220X112	1							
29	2D0 906 376 C	grommet	22MM	1							

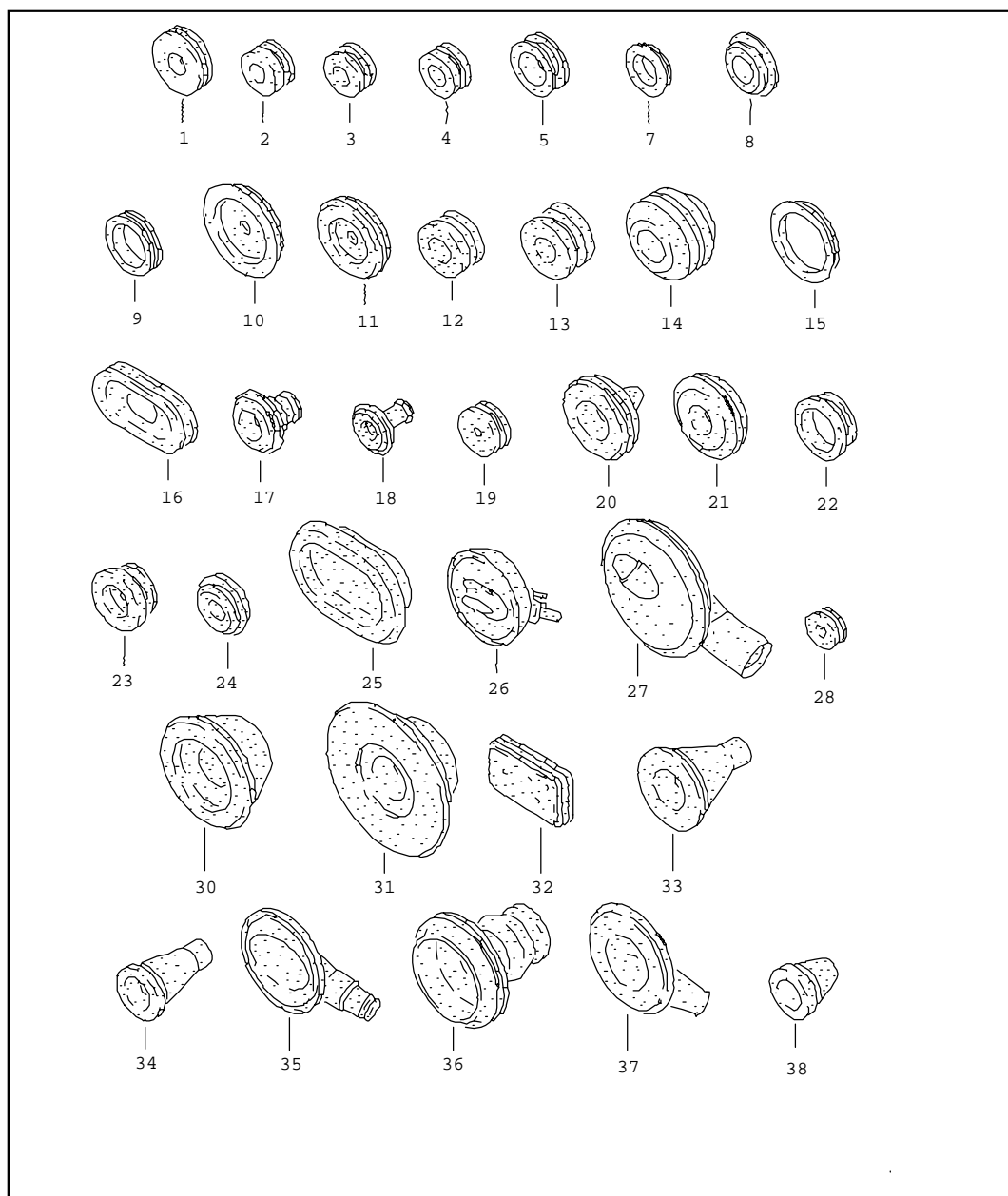
Model	Year	MG	SG	Illustration	VIN No.	Update	16:37	18.02.20100		ETKA	
EL	90	9	71	976-05		336					





Pos	Part Number	Name	Remarks	Qty	Model
		grommet for connector housing			
1	035 905 387	grommet		X	
2	311 905 429 A	protective cap		X	
3	211 906 101	protective cap	10,5X2	X	
4	311 906 101 A	protective cap	18,5X4,5	X	
5	022 906 102	protective cap	39X7,5	X	
6	022 906 102 B	protective cap		X	
7	443 906 102 F	grommet	8X20	X	
8	443 906 102 G	grommet		X	
9	357 906 376	protective cap	27X20	X	
10	191 906 376 A	protective cap	20,5X11	X	
11	251 911 521	protective cap	18,5X8	X	
12	251 911 521 A	protective cap	17,5X13	X	
13	251 911 521 B	protective cap		X	
14	447 941 189	grommet	39,5X6,5	X	
15	411 941 539	protective cap	18,5X5	X	
16	853 945 521	grommet		X	
17	171 953 175 A	cap	40X4	X	
18	803 957 855 B	grommet	24X5	X	
19	431 971 866	grommet	19X6	X	
20	251 971 867	protective cap	38X8	X	
21	811 971 867	grommet	10X32	X	
22	4A0 971 876	grommet	29X2,5	X	
22	4A0 971 876	grommet	29X2,5	X	
23	4A0 971 908 A	grommet		X	
25	867 972 511	grommet	22,5X16	X	
26	4A0 906 102	grommet	30	X	
27	4A0 906 102 A	grommet		X	

Model	Year	MG	SG	Illustration	VIN No.	Update	16:37	18.02.20100		ETKA	
EL	90	9	71	976-05		336					

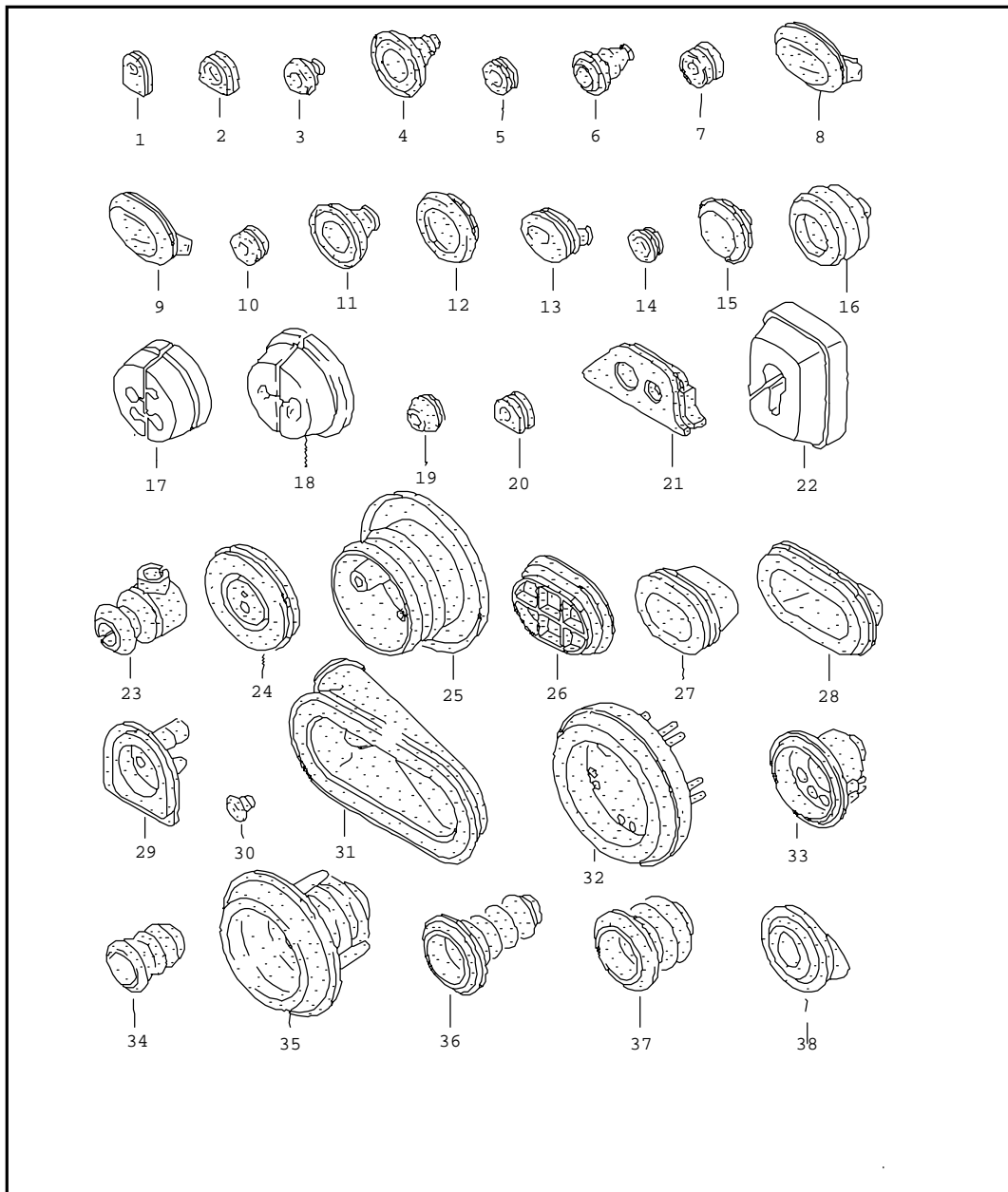
Pos	Part Number	Name	Remarks	Qty	Model	Pos	Part Number	Name	Remarks	Qty	Model
28	022 906 241	protective cap		X							
29	431 971 864	grommet		X							





Pos	Part Number	Name	Remarks	Qty	Model
		grommet for body			
1	N 020 085 1	grommet	16X10	X	
2	4B0 971 908 A	grommet	11/8	X	
3	N 020 092 1	grommet	12X8,5	X	
4	N 900 377 01	grommet	10X15X2	X	
5	--- --- ---	no longer available	15,5X19X5	X	
7	N 900 999 01	grommet	15X17X0,2	X	
8	N 901 004 01	grommet	12,8X21	X	
9	N 904 655 01	grommet	20,5X24,2X1,8	X	
10	021 119 569	grommet	29,5/6	X	
11	021 119 569 A	grommet	23,5/6	X	
12	052 129 669	grommet	16,5/10,5	X	
13	055 129 669	rubber mounting	17/11,8	X	
15	181 261 861	grommet	25/23	X	
16	321 609 737	grommet	40X16,5/ 15,5X8,5	X	
17	311 611 743	grommet	20/4	X	
18	171 611 751	grommet	15/4	X	
19	211 611 751	grommet	14/4,5	X	
20	803 611 751	grommet	22/3	X	
21	171 611 819	grommet	17/11	X	
22	211 711 487	grommet	22,1/18	X	
23	4D0 971 911	grommet	17/8,5	X	
24	171 823 395	rubber mounting	16/6,2	X	
(24)	321 819 063	grommet	13/9	1	
25	443 831 469 A	grommet	50X30,5	X	
26	4D0 862 114	grommet	28	X	
(27)	4D0 877 242 B	drain tube	40/14	X	
28	861 877 399	grommet	9	X	

Model	Year	MG	SG	Illustration	VIN No.	Update	16:37	18.02.20100		ETKA	
EL	90	9	71	976-06		336					

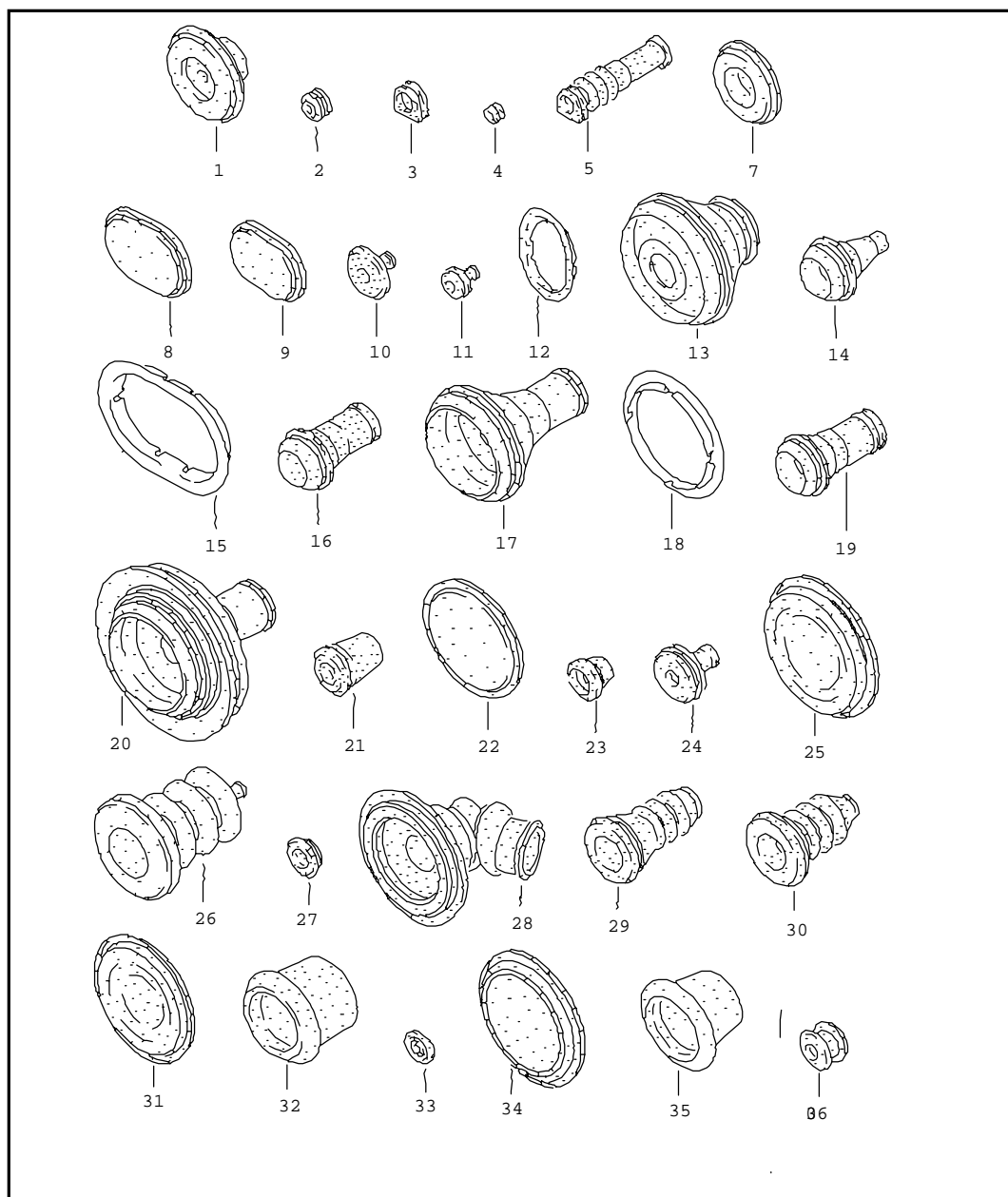
Pos	Part Number	Name	Remarks	Qty	Model	Pos	Part Number	Name	Remarks	Qty	Model
30	311 906 105	grommet	33/8,5	X							
31	311 906 105 A	grommet	48,5/8,5	X							
32	165 941 140	grommet	25,2X14,4	X							
33	113 941 189	grommet	24/6	X							
34	411 941 189	grommet	20/4	X							
35	431 941 189	grommet	32/5	X							
36	443 941 189	grommet	32	X							
37	823 941 189 A	grommet	32/5	X							
38	141 941 199 A	grommet	14,5/6	X							





Pos	Part Number	Name	Remarks	Qty	Model
		grommet for body			
1	361 943 169 A	grommet	12/5	X	
2	211 945 179	grommet	15/6	X	
3	311 949 149 B	grommet	13/5	X	
4	823 953 331	grommet	20/5	X	
5	331 955 754	grommet	13/9	X	
6	445 955 754 A	grommet	13/4,5	X	
7	431 955 995	grommet	16/5	X	
8	1J0 955 998 B	grommet	36X25/5,5/3	X	
9	--- --- --- .	discontinued / replacement:	1J0 955 998 B	X	
10	113 957 855	grommet	14/9	X	
11	803 957 855	grommet	22/6,4	X	
12	171 957 857	plug	28	X	
13	111 957 861	grommet	22,5X14,5/6,1	X	
14	--- --- --- .	discontinued / replacement:	052 129 669	X	
15	251 957 861	grommet	33/6	X	
16	357 957 861	grommet	28/6,4	X	
17	443 959 841	grommet	63	X	
18	853 959 841	grommet	40	X	
19	803 959 843	grommet	12,5/4	X	
20	861 971 239	grommet	14/6	X	
21	893 971 239 A	grommet	---	X	
22	441 971 841	grommet	52X37X2	X	
22	441 971 841	grommet	52X37X2	X	
23	443 971 841	grommet	27/10	X	
24	4A0 971 841 A	grommet	41	X	
25	4A0 971 841 B	grommet	50	X	
26	4A0 971 841 E	grommet	48X32	X	

Model	Year	MG	SG	Illustration	VIN No.	Update	16:37	18.02.20100		ETKA	
EL	90	9	71	976-07		336					

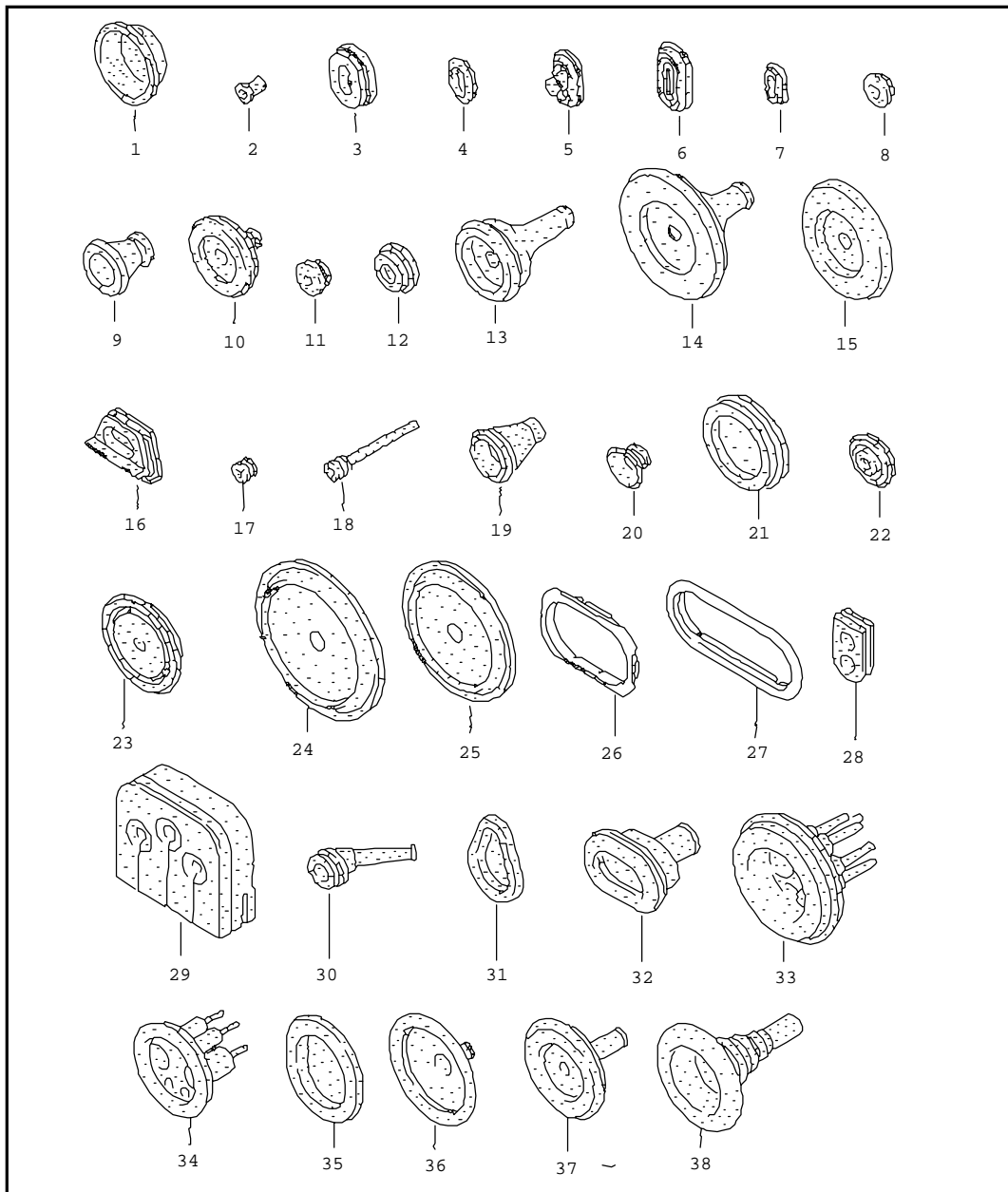
Pos	Part Number	Name	Remarks	Qty	Model	Pos	Part Number	Name	Remarks	Qty	Model
27	447 971 863	grommet	34,5X19/ 25X15,5	X							
28	447 971 863 A	grommet	56X27/40X11	X							
29	893 971 863 C	grommet	31	X							
30	811 971 868	grommet	11/4,2	X							
31	321 971 870	grommet	81,5X41/20	X							
32	4A0 971 871	grommet	61	X							
33	447 971 871	grommet	59/16	X							
34	811 971 871	grommet	33,5/18	X							
35	893 971 871	grommet	56,5/15	X							
36	443 971 871 A	grommet	48,5/11	X							
37	811 971 871 A	grommet	47/15	X							
38	431 971 872	grommet	36/6	X							





Pos	Part Number	Name	Remarks	Qty	Model
		grommet for body			
1	867 971 872	grommet	39,5/8	X	
2	803 971 873	grommet	12/8	X	
3	251 971 878	grommet	19	X	
4	803 971 878	grommet	9/6	X	
5	251 971 878 C	grommet	19/11,5	X	
7	155 971 904	plug	33/20	X	
8	333 971 904	plug	28,7/38,8	X	
9	333 971 904 A	plug	22,5/38,5	X	
10	111 971 905	grommet	28/5	X	
11	321 971 905	grommet	16,5/1,7	X	
12	251 971 905 A	grommet	62X38/59X35	X	
13	357 971 905 A	grommet	52/16	X	
14	171 971 905 B	grommet	33,5/6	X	
15	251 971 905 B	grommet	62X44	X	
16	171 971 905 C	grommet	33,5/11	X	
17	251 971 905 C	grommet	52X16	X	
18	357 971 905 C	plug	51	X	
19	171 971 905 D	grommet	33,5/16	X	
20	357 971 905 E	grommet	46/16	X	
21	111 971 907	grommet	24/8,5	X	
22	191 971 907	grommet	46/39	X	
23	311 971 907	grommet	23,5/4	X	
23	311 971 907	grommet	23,5/4	X	
24	021 971 907 A	grommet	33/9	X	
25	357 971 908	plug	60	X	
26	4A0 971 908	grommet	35/5	X	
27	431 971 908	grommet	23,5	X	

Model	Year	MG	SG	Illustration	VIN No.	Update	16:37	18.02.20100		ETKA	
EL	90	9	71	976-08		336					



Pos	Part Number	Name	Remarks	Qty	Model	Pos	Part Number	Name	Remarks	Qty	Model
28	443 971 908	grommet	50/16	X							
29	447 971 908	grommet	40/15	X							
30	811 971 908	grommet	40/8	X							
31	357 971 908 A	plug	49,5	X							
32	893 971 908 A	grommet	37/16	X							
33	191 971 908 B	plug	19,5	X							
34	357 971 908 B	plug	50/54	X							
35	893 971 908 C	grommet	33/8	X							
36	893 971 908 F	grommet	6x12,5	X							

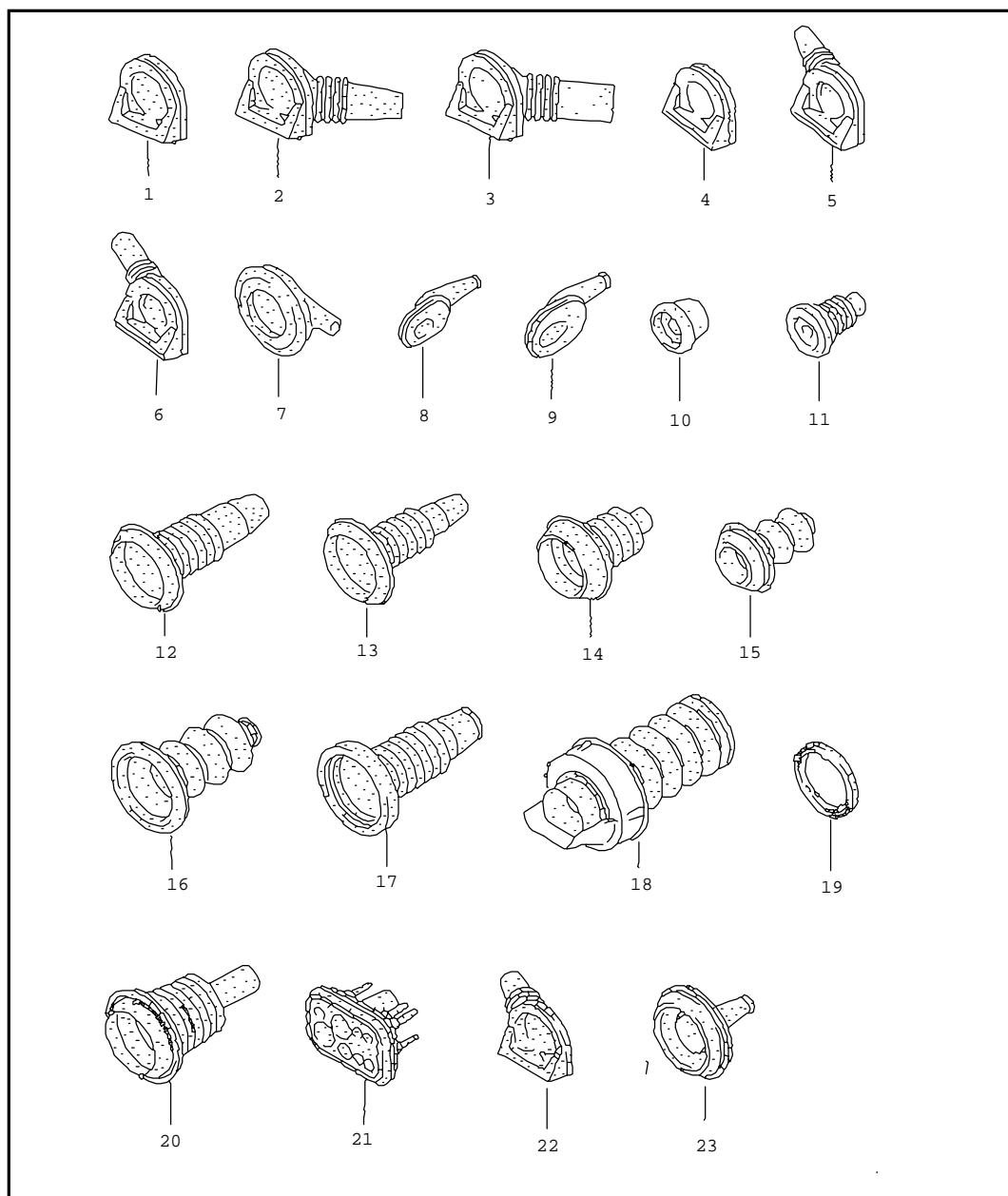


Pos	Part Number	Name	Remarks	Qty	Model
		grommet for body			
1	111 971 909	grommet	51/12	X	
2	811 971 909	sealing bush	11,5X3,2	X	
3	171 971 910	plug	22X15/14X7	X	
4	191 971 910	plug	28X14/2,2	X	
5	331 971 910	grommet	21,8X11/4	X	
6	701 971 910	plug	28X14	X	
7	1H6 971 910 A	plug	6,8X15,5	X	
8	111 971 911 A	grommet	16,5	X	
9	211 971 911 A	grommet	17/3,5	X	
11	171 971 913	grommet	12,5	X	
12	311 971 913	grommet	12,5/2	X	
13	357 971 913 A	grommet		X	
14	1H0 971 913 B	grommet	46/7	X	
15	147 971 915	grommet	39,5/8	X	
16	191 971 915	grommet		X	
17	481 971 915	grommet	9,5/2,4	X	
18	143 971 919	grommet	10/4	X	
19	323 971 919	grommet	28/11	X	
20	113 971 923	cap	22	X	
21	191 971 926 B	grommet	33,5	X	
22	191 971 928	grommet	27	X	
23	867 971 928	plug	38	X	
23	867 971 928	plug	38	X	
24	1H0 971 908	plug	70	X	
25	1H4 971 908	plug	64	X	
26	701 971 905 B	grommet	45X30/41X26	X	
27	701 971 905 A	grommet	65X22/61X19	X	



Model	Year	MG	SG	Illustration	VIN No.	Update	16:38	18.02.20100		ETKA	
EL	90	9	71	976-09		336					

Pos	Part Number	Name	Remarks	Qty	Model	Pos	Part Number	Name	Remarks	Qty	Model
28	701 971 878	grommet	20X23	X							
29	8G0 971 239 B	grommet	19X6	X							
30	895 955 754 A	grommet		X							
31	1H0 971 908 E	plug	30X20X16	X							
32	701 957 861	grommet	34X24/8	X							
33	4A2 971 871	grommet		X							
34	4A0 971 908 B	grommet	31	X							
35	191 971 904	grommet		X							
36	701 971 908 A	grommet	38,8/4	X							
37	1H0 971 913 C	grommet	33,5,6/10	X							
38	8A0 971 908	grommet	32/3,5	X							



Model	Year	MG	SG	Illustration	VIN No.	Update	16:38	18.02.20100		ETKA	
EL	90	9	71	976-10		336					

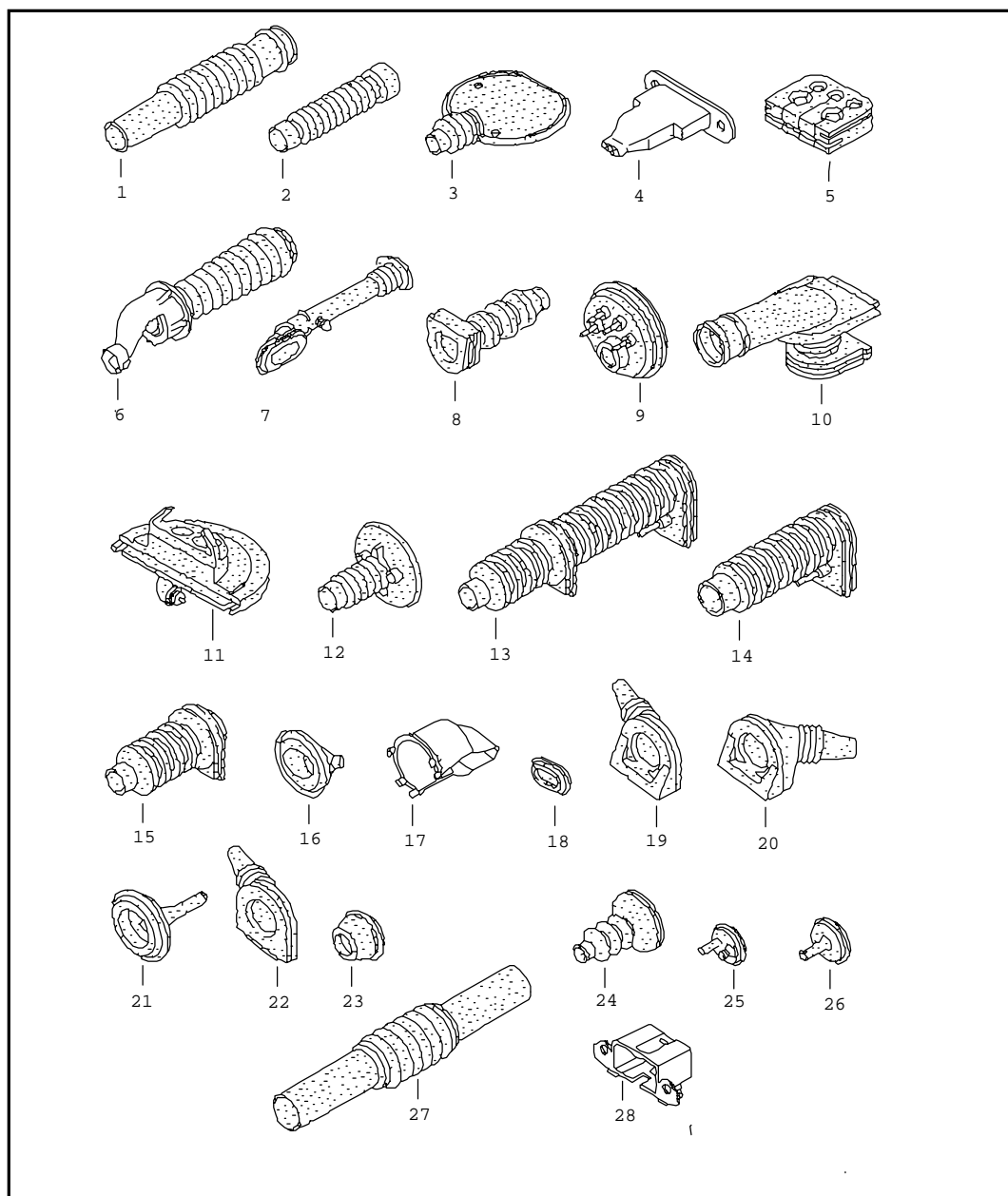


Pos	Part Number	Name	Remarks	Qty	Model
		grommet for body			
1	1H2 971 908	plug		X	
2	1H0 971 905 K	grommet	39/12	X	
(2)	1H0 971 905	grommet	39/13	X	
3	1H0 971 905 D	grommet	39/19	X	
4	1H0 971 908 A	plug		X	
5	1H0 971 905 A	grommet	31/6	X	
6	1H0 971 905 E	grommet	31/15	X	
7	4D0 971 908 B	grommet	41/8	X	
8	1H5 971 907 C	grommet		X	
9	1H5 971 907 B	grommet		X	
10	357 971 907	grommet	23,5/10	X	
11	1H0 971 919	grommet	24/7	X	
12	1H0 971 840 B	grommet	12,5X46	X	
13	1H0 971 840	grommet	46/10,5	X	
14	8A0 971 841	grommet	47	X	
15	811 971 877	grommet		X	
16	893 971 908 G	grommet	51X13	X	
17	1H0 971 840 A	grommet	52,3/17	X	
18	3A0 971 611	bellows	41,5/31,5	X	
(18)	1H4 971 611 A	bellows		X	
19	3A0 959 750	sealing washer		1	
		only for:	3A0 959 740 6N0 959 740		
19	3A0 959 750	sealing washer		1	
		only for:	3A0 959 740 6N0 959 740		
20	1H0 971 840 C	grommet		1	
21	8D0 971 871 D	grommet	60X40	1	
22	1H0 971 905 G	grommet	39/13	1	



Model	Year	MG	SG	Illustration	VIN No.	Update	16:38	18.02.20100		ETKA	
EL	90	9	71	976-10		336					

Pos	Part Number	Name	Remarks	Qty	Model	Pos	Part Number	Name	Remarks	Qty	Model
23	6N0 971 915 B	grommet	52,3/9	1							



Model	Year	MG	SG	Illustration	VIN No.	Update	16:38	18.02.20100		ETKA	
EL	90	9	71	976-11		336					

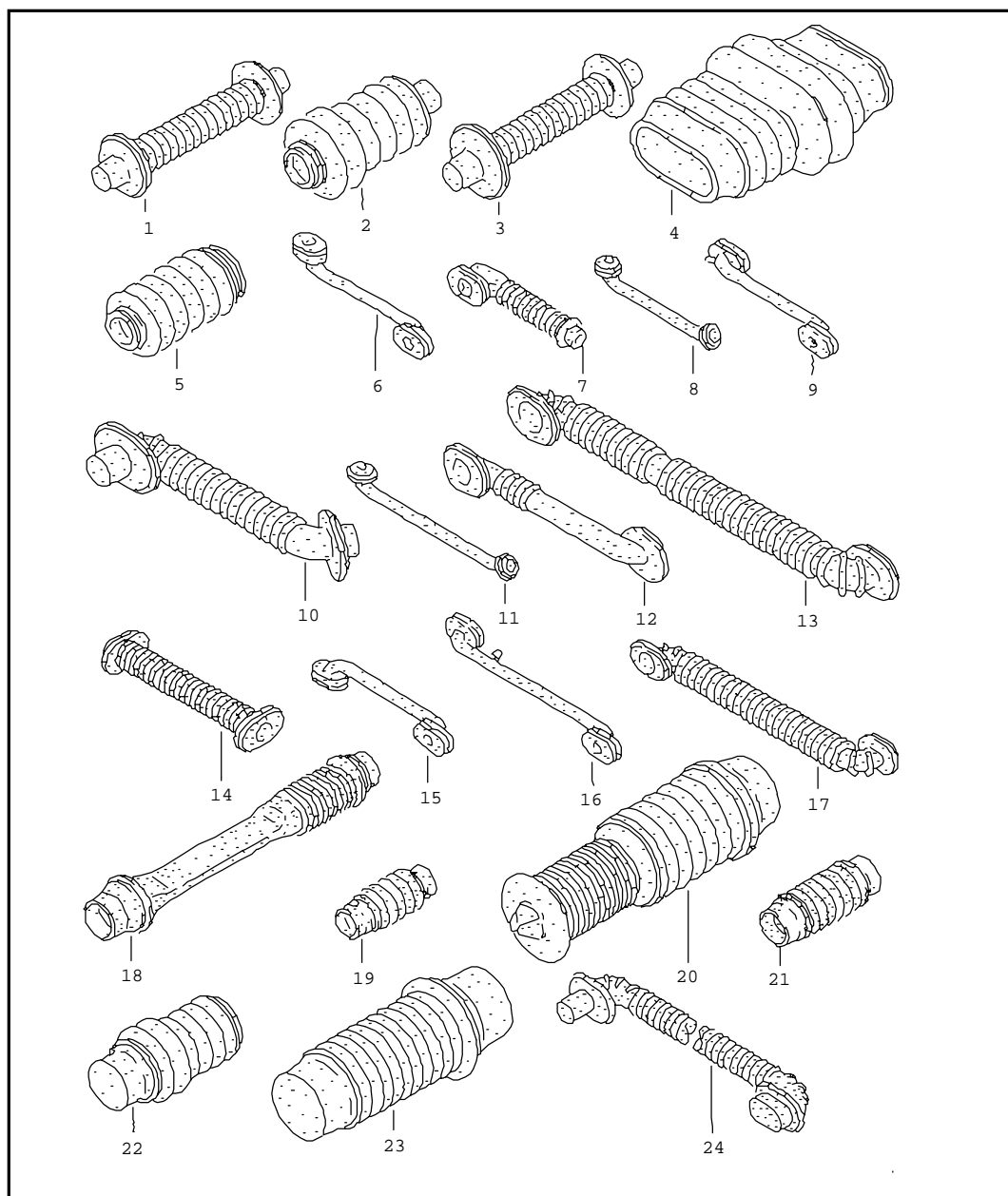


Pos	Part Number	Name	Remarks	Qty	Model
		grommet for body			
1	701 906 376	protective cap	32/20	1	
2	4A0 941 189 C	bellows	12/18X115	1	
3	8D0 945 527	gasket socket towing attachment (ball type)		1	
4	701 959 379	grommet		1	
5	8G0 971 239 C	grommet	19X6	1	
6	6N0 971 611 E	bellows		1	
7	6N0 971 840	grommet loom for luggage compl. rear		1	
8	8D0 971 841 A	grommet	20/16	1	
9	4A2 971 871 B	grommet		1	rhd
10	4D0 971 871	grommet		1	
11	441 971 871 D	grommet		1	
12	8D0 971 871	grommet	51/15	1	
13	8D0 971 871 A	grommet loom for engine compartment	30/19	1	lhd
14	8D2 971 871	grommet loom for engine compartment	30/26	1	rhd
15	8D2 971 871 A	grommet loom for engine compartment	26/26	1	rhd
16	4D0 971 872 A	grommet		1	
17	6N0 971 883	cap clutch loom for veh. lighting	front	1	
18	1E0 971 904	plug		2	
19	1H0 971 905 H	grommet	39/5	1	
20	1H0 971 905 K	grommet	39/12	1	
21	6N0 971 905 E	grommet	51/7	X	
22	6N0 971 905 L	grommet	39/5	1	
(22)	6N0 971 905 J	grommet		1	



Model	Year	MG	SG	Illustration	VIN No.	Update	16:38	18.02.20100		ETKA	
EL	90	9	71	976-11		336					

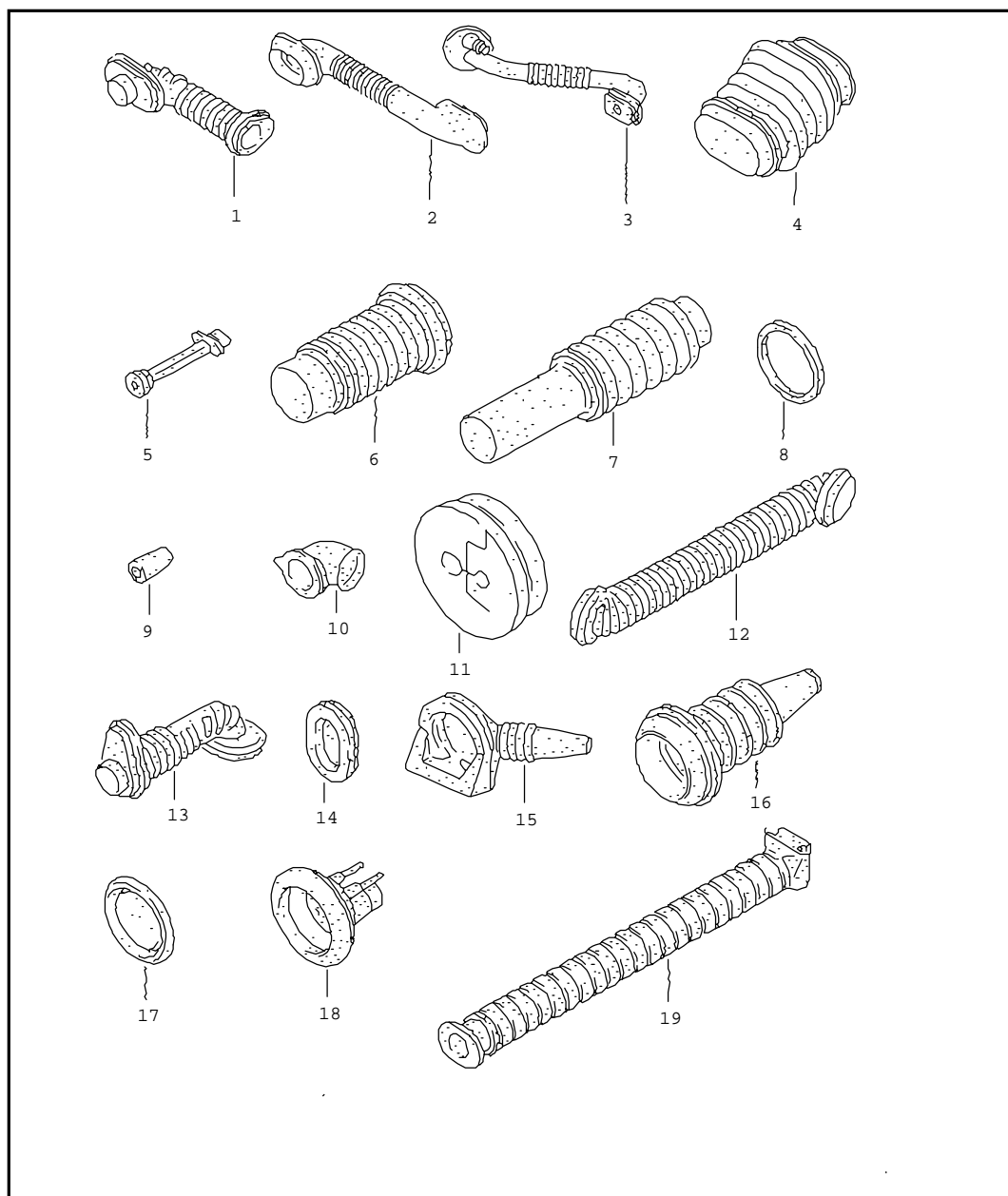
Pos	Part Number	Name	Remarks	Qty	Model	Pos	Part Number	Name	Remarks	Qty	Model
23	8A0 971 908 B	grommet	33/5	1							
24	893 971 908 H	grommet	51x6	1							
25	1H0 971 913 C	grommet		1							
26	3A0 971 913 A	grommet	35/10,5	1							
27	535 971 916 A	bellows	33,5/31,5/38,5	X							
28	535 972 633	cap for diagnosis plug		1							

Model	Year	MG	SG	Illustration	VIN No.	Update	16:39	18.02.20100		ETKA	
EL	90	9	71	976-12		336					





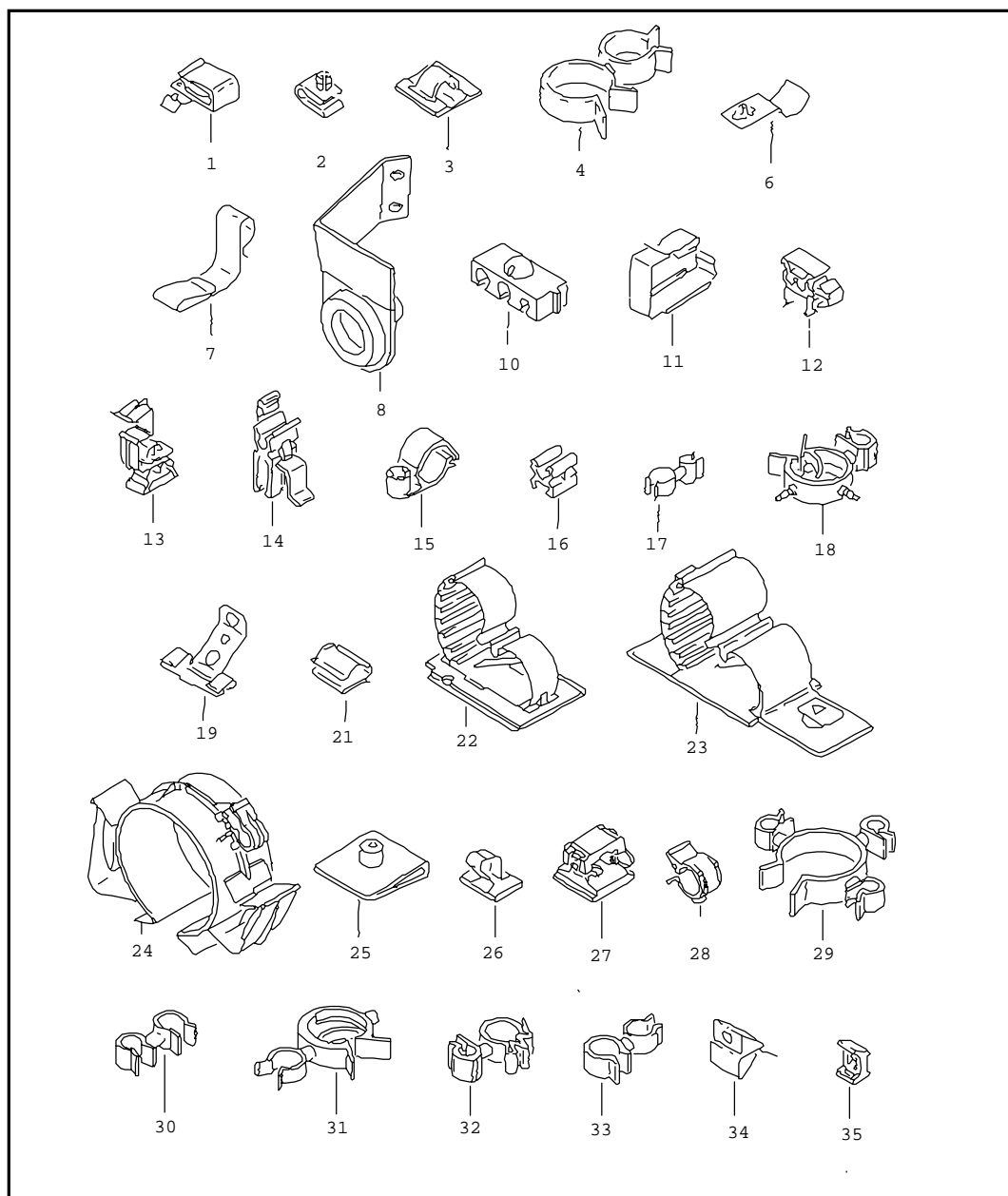
Pos	Part Number	Name	Remarks	Qty	Model
		grommet for body			
1	155 959 845	bellows	27/27MM	X	
2	433 959 845	bellows	30/23/30	X	
3	155 959 845 A	bellows	27/15/32,5	X	
4	4A0 959 845 C	bellows	52X30/47X27/ 50X30	X	
5	433 959 847	bellows	22/19/24	X	
6	171 971 840	grommet	22X15/10/22X15	X	
7	191 971 840	grommet	22/14/31,1X21	X	
8	251 971 840	grommet	12,5/9/12,5	X	
9	321 971 840	grommet	22X15/10/22X15	X	
10	333 971 840	bellows	39X29/18/38X22	X	
11	--- --- ---	no longer available	12,5/9/12,8	X	
12	535 971 840	grommet	21X31X120	X	
13	701 971 840 D	bellows	38X22,8/18/	X	
14	867 971 840	grommet	22/10/22	X	
15	171 971 840 A	grommet	22X15/10/22X15	X	
16	321 971 840 A	grommet	22X15/10/22X15	X	
17	867 971 840 A	grommet	22X15/12,8/	X	
18	255 971 916	bellows	33,7/26/30,7	X	
19	321 971 916	bellows	27,5/25/27,5	X	
20	701 971 916	bellows	45,5/51,5/ 42,5/45,5	X	
21	191 971 916 A	bellows	33,5/30,5/33,5	X	
21	191 971 916 A	bellows	33,5/30,5/33,5	X	
22	357 971 916 A	bellows	33,5X38,5	X	
23	357 971 916 C	bellows	60,5/43/48,5	X	
24	701 971 840 A	bellows	39,1X29/18/ 39,1X29	X	

Model	Year	MG	SG	Illustration	VIN No.	Update	16:39	18.02.20100		ETKA	
EL	90	9	71	976-13		336					





Pos	Part Number	Name	Remarks	Qty	Model
		grommet for body			
1	1H6 971 840	grommet	38,8X28,8/17/ 31X21	X	
2	4A9 971 840	grommet		X	
3	895 971 840	grommet		X	
4	4A0 959 845 B	bellows	60/36/55X33/ 60X36	X	
5	1H6 971 910	grommet		X	
6	1H0 971 916 A	bellows	48,5/36/66	X	
7	535 971 916	bellows	38,5/33,5/38,5	X	
8	N 904 655 01	grommet	20,5X24,2X1,8	X	
9	N 905 530 01	protective cap	3,2	X	
10	1H0 907 545	grommet		X	
11	8A0 959 841 A	grommet	65	X	
12	1E0 971 840	grommet	35X25/35X25	X	
13	1H9 971 840	grommet	27,5/24,8X43,5	X	
14	1H9 971 904	plug	24,5X38,5	X	
15	1H0 971 905 B	grommet	39/6	X	
16	1H0 971 840	grommet	46/10,5	1	
17	1H4 971 908 A	plug	41	1	
18	8A0 971 908 C	grommet	52/13	1	
19	281 971 916	bellows		1	



Model	Year	MG	SG	Illustration	VIN No.	Update	16:39	18.02.20100		ETKA	
EL	90	9	71	977-01		336					

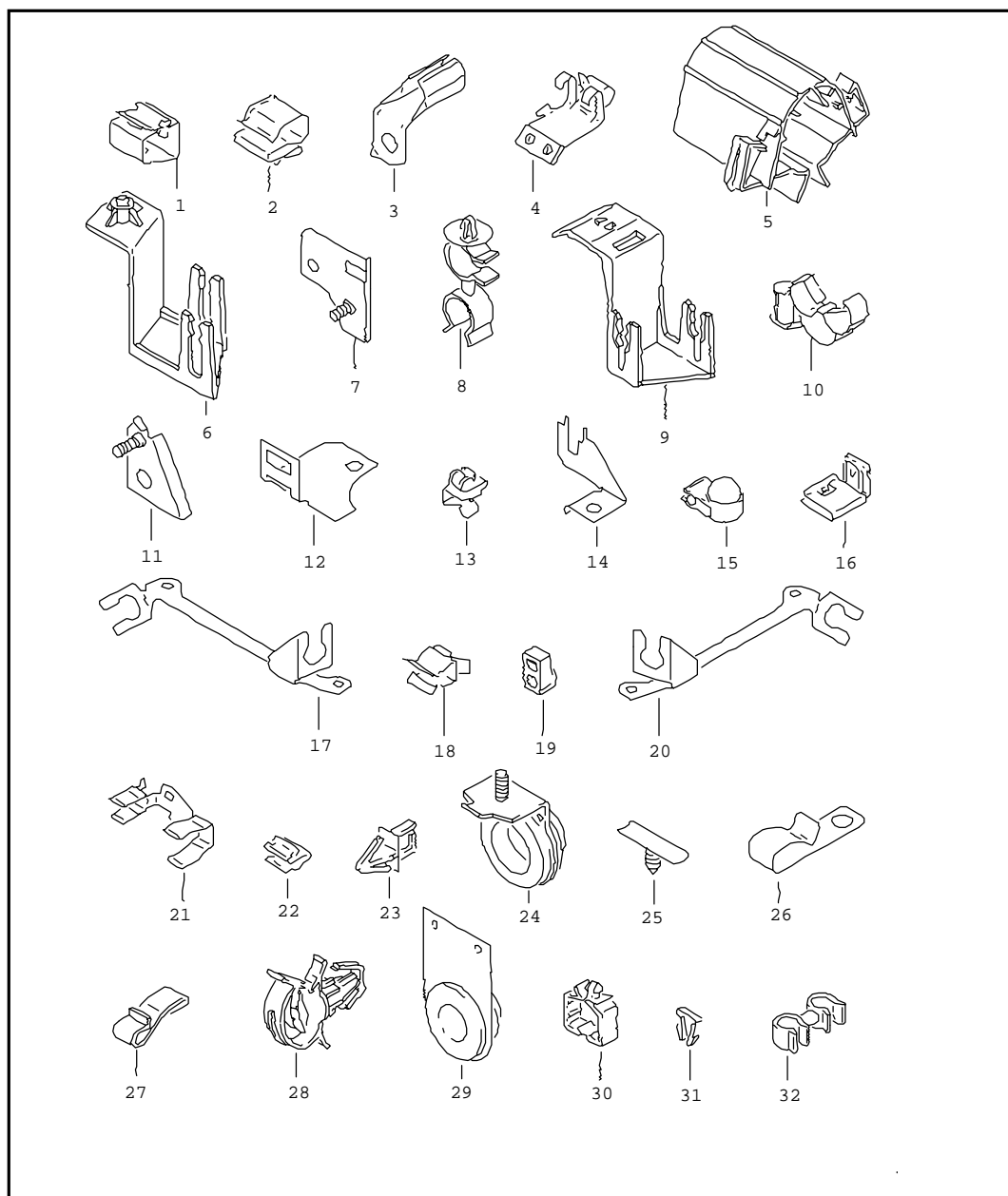


Pos	Part Number	Name	Remarks	Qty	Model
1	191 611 797 C	clip cable holder		X	
2	291 711 245 A	bracket		X	
3	4D0 971 739	clip	8X5	X	
4	431 819 595	clip, self-adhesive	8-10	X	
6	431 867 460	retainer, swivelling	18/25	X	
6	111 863 157	retaining clip	4,1	X	
7	431 867 460	clamp		X	
8	859 905 369 A	cable holder		X	
10	211 905 451	holder for ignition leads	13,2X8,2	X	
11	443 953 269 C	bracket		X	
12	357 955 747	bracket for hose		X	
13	191 955 747 A	bracket for hose		X	
14	867 955 747 B	bracket for hose		X	
15	--- --- ---	discontinued / replacement:	N 906 288 01	X	
16	445 955 846	clip		X	
17	171 957 787	bracket		X	
18	701 957 787	retainer, swivelling	24/8MM	X	
19	---	no longer available		X	
21	803 959 849	bracket		X	
22	357 971 004	cable holder		X	
23	357 971 005	cable holder		X	
24	535 971 359	cable holder	56.5	X	
25	893 971 739	clip		X	
26	251 971 739 A	bracket, self-adhesive		X	
27	357 971 739 A	bracket, self-adhesive		X	
28	155 971 787 A	holder	12,8	X	
29	867 971 787 A	retainer, swivelling	34/36	X	
30	155 971 787 B	retainer, swivelling	9/10	X	



Model	Year	MG	SG	Illustration	VIN No.	Update	16:39	18.02.20100		ETKA	
EL	90	9	71	977-01		336					

Pos	Part Number	Name	Remarks	Qty	Model	Pos	Part Number	Name	Remarks	Qty	Model
31	281 971 787 C	retainer, swivelling	12/24	X							
32	701 971 787 P	bracket		X							
33	281 971 812	retainer, swivelling	13/14	X							
34	171 971 836 A	cable terminal		X							
35	867 971 838	bracket		X							



Model	Year	MG	SG	Illustration	VIN No.	Update	16:39	18.02.20100		ETKA	
EL	90	9	71	977-02		336					

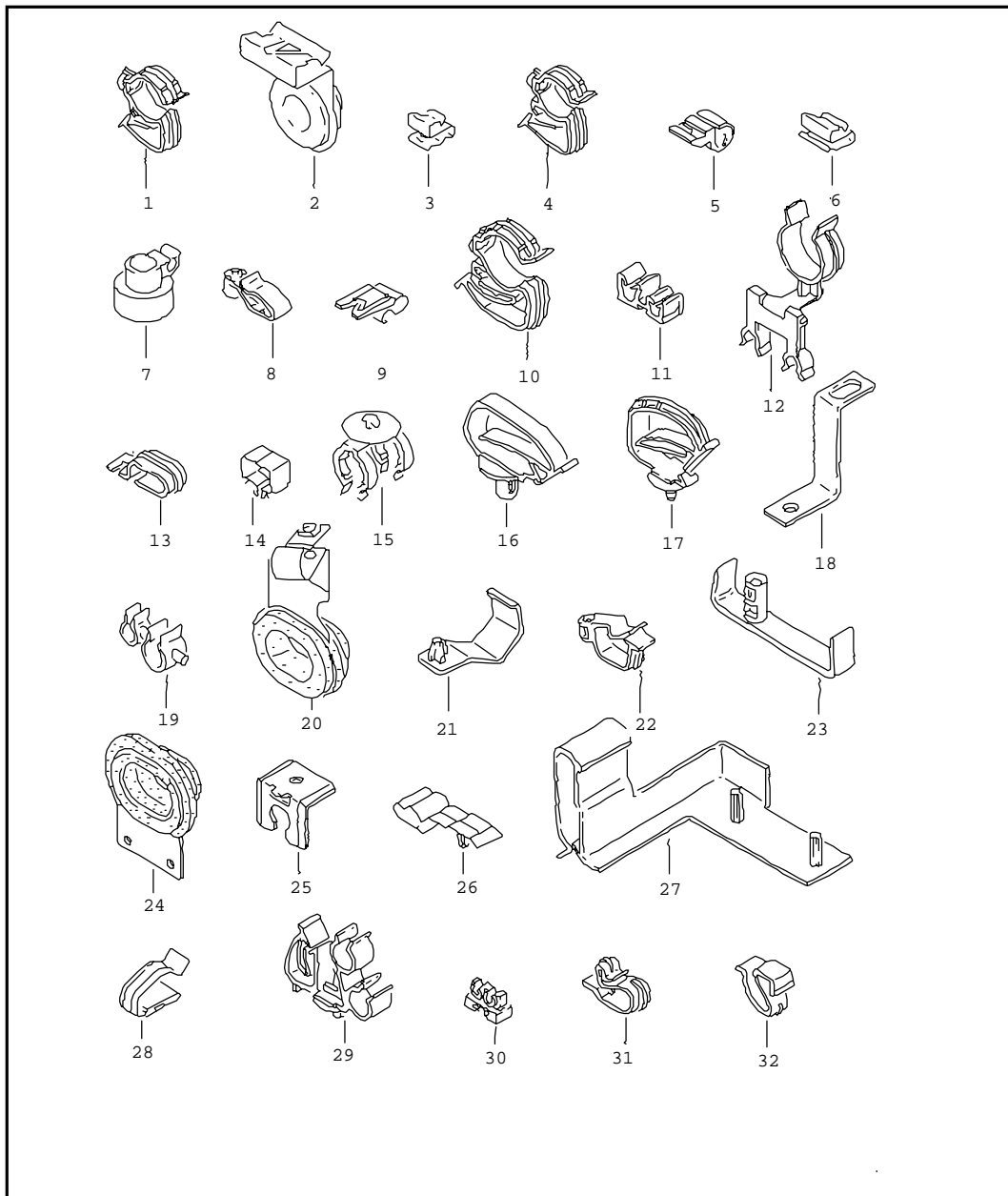


Pos	Part Number	Name	Remarks	Qty	Model
		clip			
		cable holder			
1	191 971 842	clamp		X	
2	191 971 842 A	cable holder		X	
3	321 971 843	clip		X	
4	331 971 843	bracket		X	
5	357 971 843	cable holder		X	
6	155 971 843 B	bracket		X	
7	191 971 843 B	bracket		X	
8	447 971 843 B	retainer, swivelling	15/16	X	
9	155 971 843 C	bracket		X	
10	--- --- --- .	discontinued / replacement:	N 906 333 01	X	
11	893 971 844	bracket		X	
12	321 971 845	bracket		X	
13	077 971 845 A	cable holder		X	
14	893 971 845 AG	bracket		X	
15	077 971 845 B	cable holder		X	
16		no longer available			
17	811 971 845 D	bracket		X	
18	811 971 845 E	clamp		X	
20	811 971 846	bracket		X	
21	441 971 846 C	bracket		X	
22	803 971 847	cable terminal	5	X	
23		no longer available			
24	895 971 847 A	cable holder		X	
(25)	4B0 971 848	cable holder	hole/sheet metal thickness: 6,5 / 0,6-3	X	
25	1H0 971 848 F	cable holder		X	
(25)	1H0 971 848 AF	cable holder	hole/sheet metal thickness: 6,5 / 0,8-1,5	1	



Model	Year	MG	SG	Illustration	VIN No.	Update	16:39	18.02.20100		ETKA	
EL	90	9	71	977-02		336					

Pos	Part Number	Name	Remarks	Qty	Model	Pos	Part Number	Name	Remarks	Qty	Model
(25)	1H0 971 848 AS	clip		1							
26	321 971 847 E	cable holder		X							
27	893 971 847 G	clip		X							
28	321 971 848	clip		X							
29	--- --- --- .	discontinued / replacement:	N 906 661 01	X							
30	--- --- --- .	discontinued / replacement:	N 906 661 01	X							
31		no longer available									
32	441 971 848 A	bracket		X							

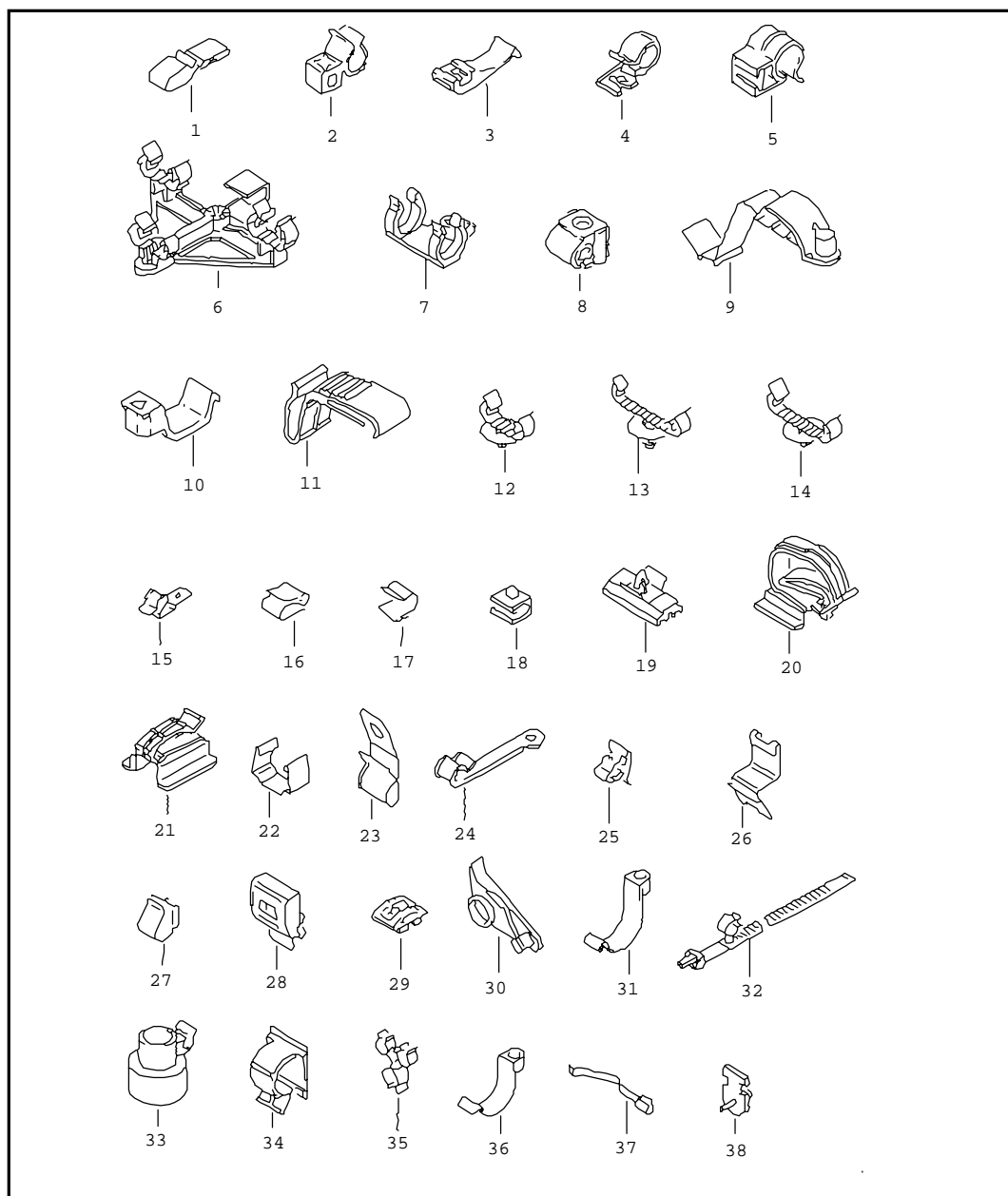
Model	Year	MG	SG	Illustration	VIN No.	Update	16:40	18.02.20100		ETKA	
EL	90	9	71	977-03		336					





Pos	Part Number	Name	Remarks	Qty	Model
		clip cable holder			
1	535 971 848 A	clip	20	X	
2	443 971 849 B	cable holder		X	
3	861 971 848 A	clip		X	
4	155 971 848 B	clip		X	
5	443 971 848 B	clip	3,6/11,6	X	
6	811 971 848 B	retaining clip		X	
7	893 971 848 B	cable holder		X	
8	191 971 848 C	clip		X	
9	431 971 848 C	clip		X	
10	701 971 848 C	clip		X	
11	811 971 848 C	bracket for hose		X	
12	191 971 848 D	bracket	7,2/7,2/25	X	
13	---	discontinued / replacement:	171 971 898	X	
14	---	discontinued / replacement:	N 902 055 01	X	
15	811 971 848 E	cable holder	6,5X14,5X20,5	X	
16	701 971 848 F	clip		X	
17	---	discontinued / replacement:	N 902 055 02	X	
18	447 971 849	bracket		X	
19	811 971 849	cable holder	8/9	X	
(19)	1H0 972 907	retainer, swivelling	4,3/6	X	
20	447 971 849 A	bracket		X	
21	893 971 849 A	cable holder		X	
22	893 971 849 C	cable holder		X	
24	443 971 849 E	bracket	16X30	X	
25	331 971 852 B	bracket	23X42	X	
26	357 971 854	cable holder		X	
27	171 971 862	cable holder		X	

Model	Year	MG	SG	Illustration	VIN No.	Update	16:40	18.02.20100		ETKA	
EL	90	9	71	977-03		336					



Pos	Part Number	Name	Remarks	Qty	Model	Pos	Part Number	Name	Remarks	Qty	Model
28	321 971 897	clip		X							
29	4A0 971 897	holder		X							
30	531 971 897	clip		X							
31	867 971 897	clip		X							
32	191 971 897 A	clip		X							

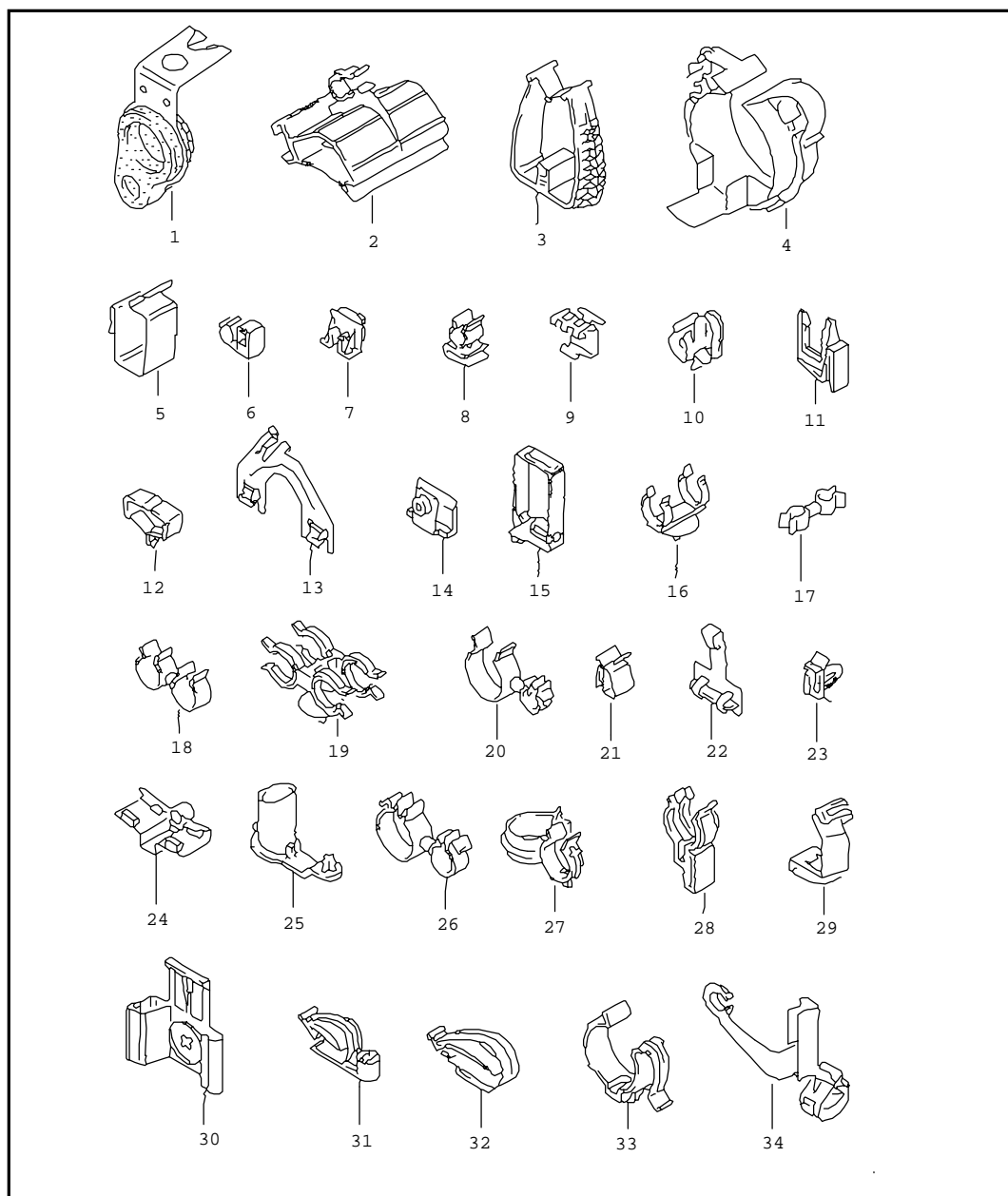


Pos	Part Number	Name	Remarks	Qty	Model
		clip cable holder			
1	357 971 897 A	cable holder		X	
2	--- --- --- .	discontinued / replacement:	N 906 333 01	X	
3	161 971 898	clip	7X35MM	X	
4	171 971 898	clip		X	
5	--- --- ---	no longer available	12MM	X	
6	357 971 898	bracket	3 point	X	
7	893 971 898	bracket	13MM	X	
8	321 971 898 A	clip	6	X	
9	535 971 898 A	cable holder		X	
10	191 971 898 C	clip	4,8	X	
11	701 971 898 C	cable holder		X	
12	1H0 971 899 B	bracket			
13	357 971 899 C	bracket		X	
14	701 971 899 G	bracket		X	
15	867 971 930 A	bracket		X	
16	311 971 939	cable terminal		X	
17	111 971 939 A	cable terminal		X	
19	443 972 081	clip		X	
20	357 972 851	cable holder		X	
21	357 972 851 A	cable holder		X	
22	701 971 615 A	clamp		X	
23	4A0 971 848 G	cable terminal		X	
24	050 971 845 A	cable holder		X	
25	701 971 842 C	cable terminal		X	
26	357 972 793 F	clamp		X	
27	893 971 847 F	cable terminal		X	
28	1H0 971 842	cable holder		X	



Model	Year	MG	SG	Illustration	VIN No.	Update	16:40	18.02.20100		ETKA	
EL	90	9	71	977-04		336					

Pos	Part Number	Name	Remarks	Qty	Model	Pos	Part Number	Name	Remarks	Qty	Model
29	4A0 972 621	clip		X							
30	1H5 971 847	clip		X							
31	358 971 898	bracket		X							
32	443 957 818 C	cable binder	7X273-8	X							
33	8A0 971 848	cable holder		X							
34	251 971 739 B	clip		X							
35	701 905 787	bracket		X							
36	357 971 898 D	bracket		X							
37	357 971 842 B	retaining clip		X							
38	281 971 848	holder for loom		X							



Model	Year	MG	SG	Illustration	VIN No.	Update	16:40	18.02.20100		ETKA	
EL	90	9	71	977-05		336					

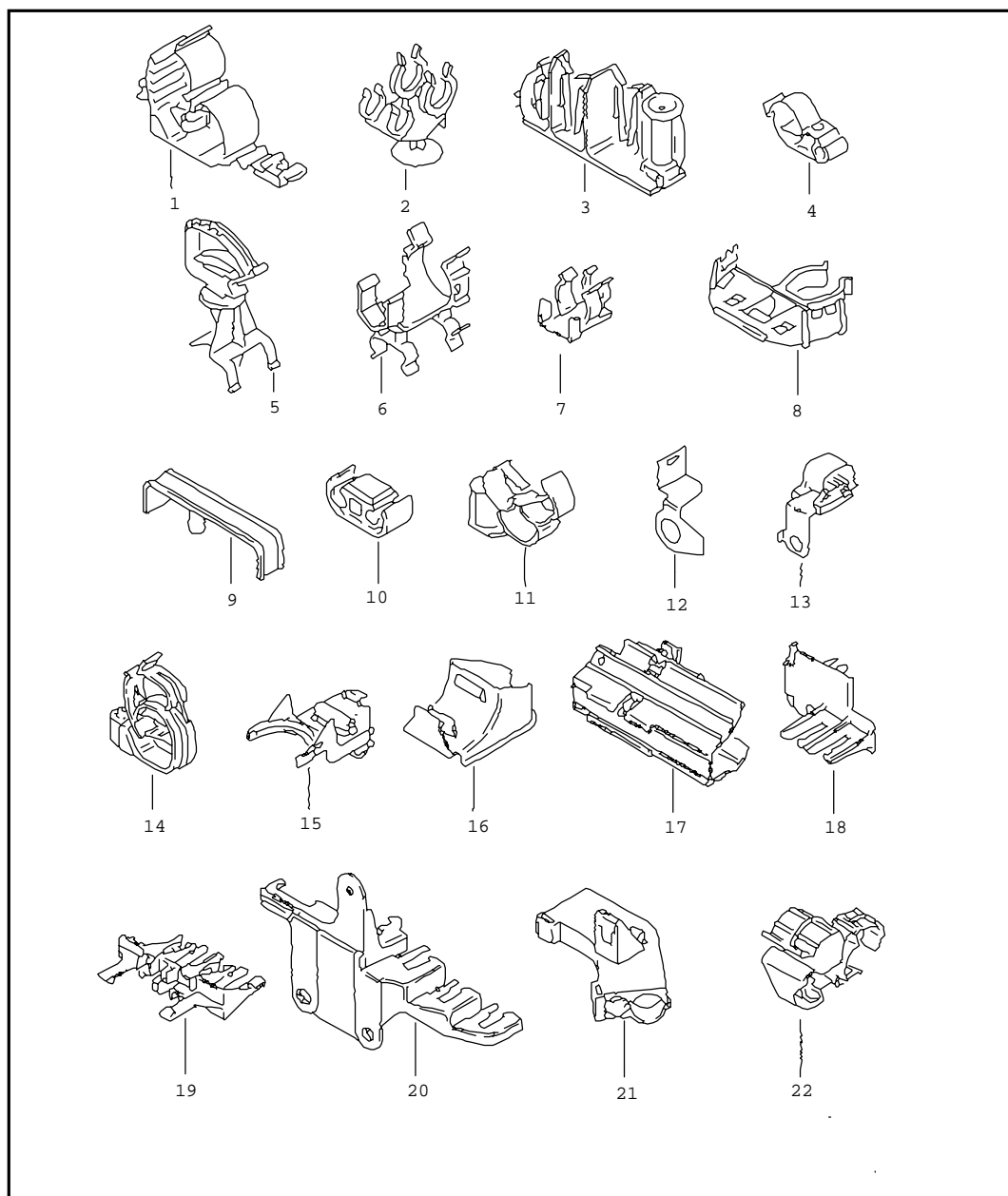


Pos	Part Number	Name	Remarks	Qty	Model
1	893 971 848 A	clip cable holder		X	
2	1H0 971 615 D	clip		X	
3	701 971 848 H	clip		X	
4	701 971 843 A	cable holder		X	
5	701 971 842	cable terminal	18/30	X	
7	1H6 971 848 A	bracket		X	
8	1H0 971 787	bracket		X	
9	084 971 848	bracket		X	
10	701 971 898	cable holder		X	
11	357 971 843 C	clip		X	
12	--- --- --- .	discontinued / replacement:	N 906 661 01	X	
13	1H2 971 842	bracket		X	
14	4A0 971 739	clip		X	
15	1H0 971 848 M	clip	23X46	X	
(15)	1H2 971 848	clip	20X34	X	
16	811 971 848 E	cable holder	6,5X14,5X20,5	X	
17	531 957 787	retainer, swivelling	7/7MM	X	
18	191 955 980	bracket for hose		X	
19	4A0 971 848 F	cable holder		X	
(20)	701 971 787 T	retainer, swivelling		X	
21	893 971 847	clip		X	
22	701 971 897	clip		X	
23	8A0 972 081	bracket		X	
24	1H0 971 845 E	clip		X	
25	8A0 971 824 B	cable holder		X	
26	701 971 848 D	retainer, swivelling	14/25	X	
27	701 971 848 G	clip		X	



Model	Year	MG	SG	Illustration	VIN No.	Update	16:40	18.02.20100		ETKA	
EL	90	9	71	977-05		336					

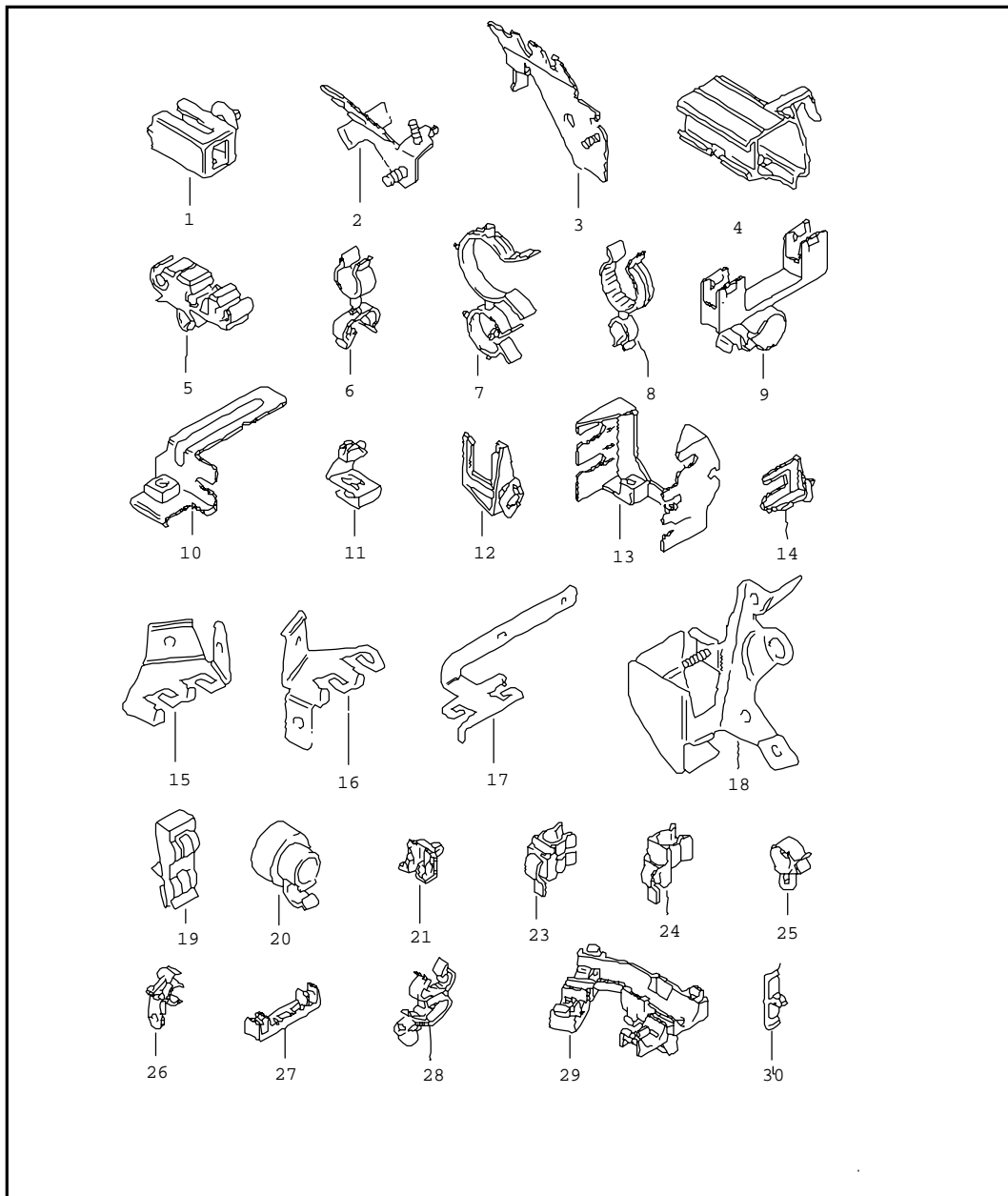
Pos	Part Number	Name	Remarks	Qty	Model	Pos	Part Number	Name	Remarks	Qty	Model
28	1H0 971 847	clip		X							
(29)	358 971 842	cable holder connecting piece lambda probe		1							
30	1H0 971 899	cable holder		X							
31		see illustration:	979-10								
32	1H0 971 897	clip		X							
33	021 971 848	cable holder	34.8	X							
34	--- --- --- .	discontinued / replacement:	1H0 971 615 R	X							

Model	Year	MG	SG	Illustration	VIN No.	Update	16:40	18.02.20100		ETKA	
EL	90	9	71	977-06		336					





Pos	Part Number	Name	Remarks	Qty	Model
		clip cable holder			
1	1H0 971 003 A	bracket		1	
2	8A0 971 898	bracket		X	
3	1H0 971 731	cable holder		X	
4	4A0 971 848 E	clip		X	
5	1H0 971 816 A	cable holder		X	
6	701 971 899 K	bracket		X	
7	1H0 971 845 B	bracket		X	
8	701 971 899 C	bracket		X	
10	8A0 971 847 C	clip		X	
11		see illustration:	979-10		
12	J82 715 891 08	bracket		X	
13	J82 711 950 24	cable holder		X	
14	1H0 972 847	clip		X	
15	6N0 971 501 A	bracket		1	
16	3A0 971 615	cable holder		1	
17	1H0 971 615 P	clip		1	
18	1HM 971 845	bracket		1	
19	1H9 971 845 A	bracket		1	
20	8D0 971 845 AN	bracket		1	
21	535 971 848 D	cable holder		1	
22	701 971 848 P	bracket	22/22/24,5	1	



Model	Year	MG	SG	Illustration	VIN No.	Update	16:40	18.02.20100		ETKA	
EL	90	9	71	977-07		336					

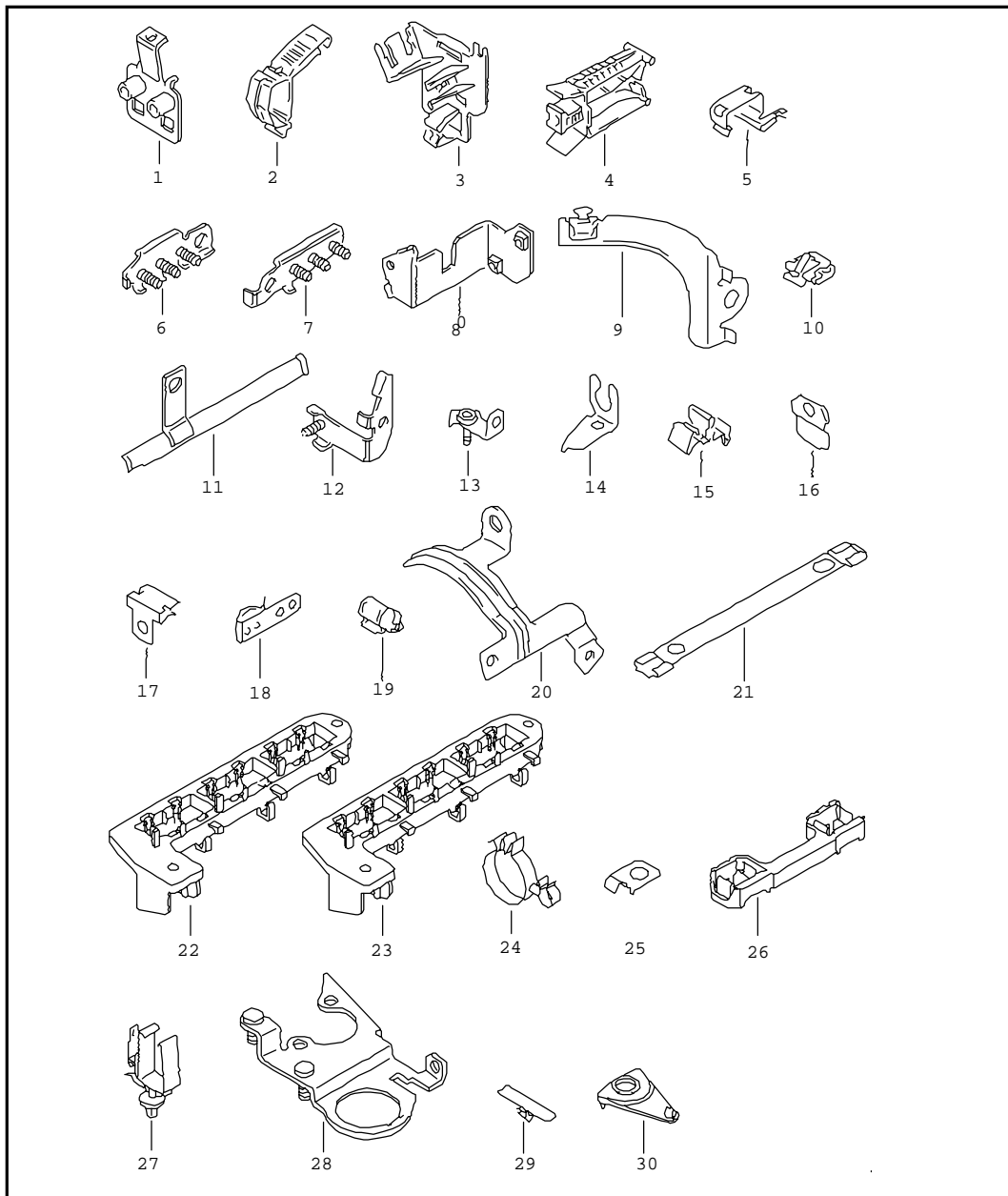


Pos	Part Number	Name	Remarks	Qty	Model
1	701 957 845 A	clip cable holder		X	
2	535 971 501	bracket		X	
3	1H0 971 501 A	bracket		X	
4	1H0 971 615 J	clip		X	
5	701 971 767	holder		X	
6	702 971 787	retainer, swivelling	16/13,4/19,4	X	
7	1H0 971 787 A	retainer, swivelling	24/38	X	
(8)	701 971 787 T	retainer, swivelling	14/29	X	
9	701 971 787 S	retainer, swivelling		X	
10	1H0 971 812	bracket clip	for: 1H0 971 615 D	X	
11	358 971 842	cable holder		X	
12	1H0 971 843 H	bracket		X	
13	867 971 844	bracket		X	
14	1H5 971 845 A	bracket		X	
15	4A2 971 845 D	bracket		X	
16	4A0 971 845 F	bracket		X	
17	4A2 971 845 J	bracket		X	
18	893 971 845 S	bracket		X	
19	8A0 971 847 D	bracket		X	
20	281 971 847 E	cable holder		X	
21	1H6 971 848 A	bracket		X	
23	1H0 971 848 AH	clip		X	
24	1H0 971 848 AM	clip		X	
25	--- --- --- .	discontinued / replacement:	N 204 288 01	X	
26	4A0 971 848 L	cable holder		X	
27	701 971 848 L	clip		X	



Model	Year	MG	SG	Illustration	VIN No.	Update	16:40	18.02.20100		ETKA	
EL	90	9	71	977-07		336					

Pos	Part Number	Name	Remarks	Qty	Model	Pos	Part Number	Name	Remarks	Qty	Model
28	701 971 848 M	clip		X							
29	1H0 971 848 P	cable holder		X							
30	1H0 971 848 Q	cable holder		X							



Model	Year	MG	SG	Illustration	VIN No.	Update	16:41	18.02.20100		ETKA	
EL	90	9	71	977-08		336					

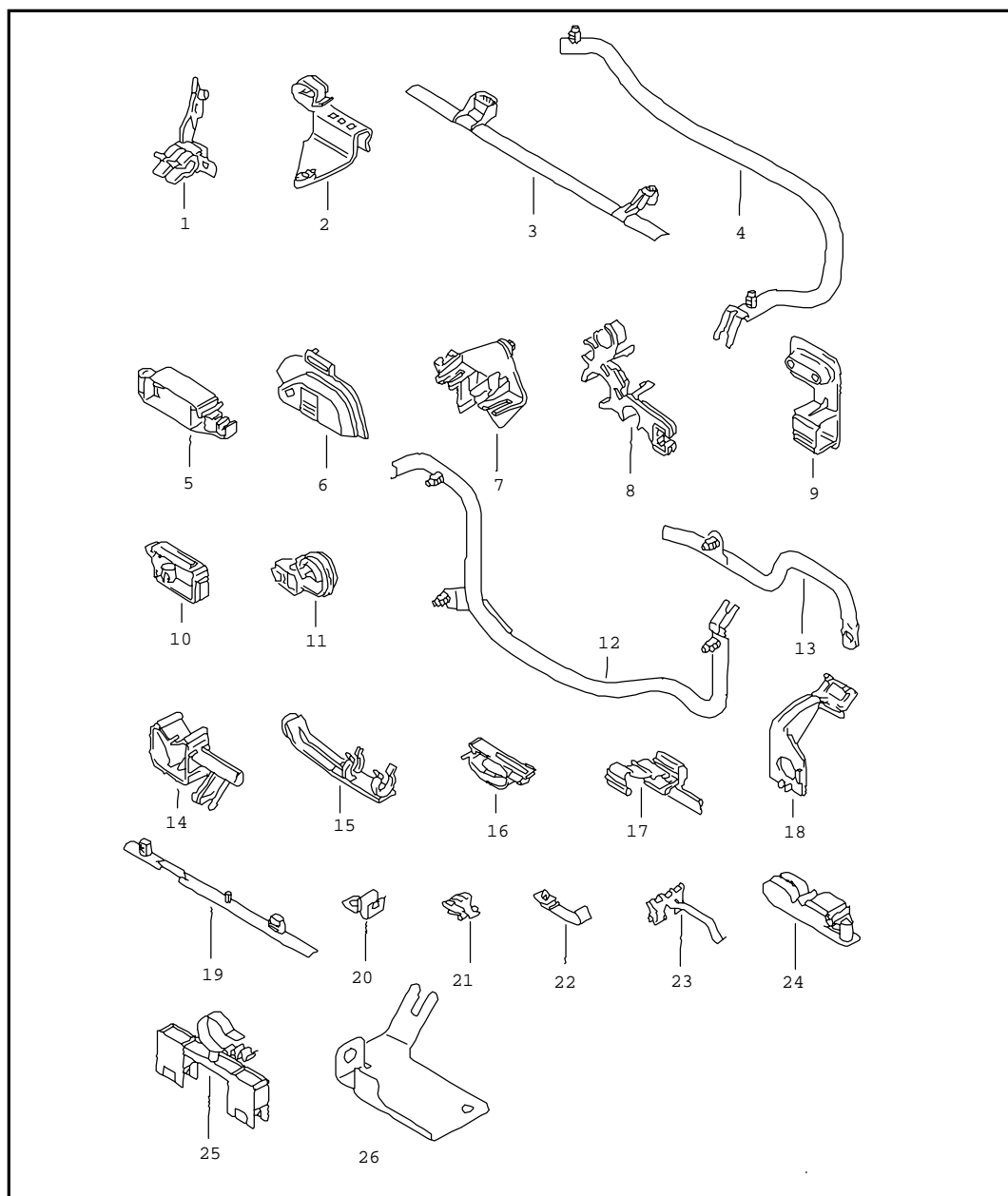


Pos	Part Number	Name	Remarks	Qty	Model
1	1H0 971 852	clip cable holder		X	
2	701 971 898 D	bracket		X	
3	357 971 899 G	cable holder		X	
4	701 971 848 E	bracket		1	
5	8A0 953 269	clip loom, rear		1	
6	021 971 501	retaining clip connecting piece terminal pin housing horn	5 pin	1	
7	037 971 501 B	bracket ground strap	for:	1	
8	3A2 971 501	junction box		1	
9	6N0 971 501 A	bracket	rhd	1	
(9)	6N0 971 501 B	bracket connecting piece flat contact housing	3A0 973 713	1	
10	1H0 971 842 F	bracket		1	
(10)	1H0 971 842 C	cable holder wiring lambda probe heat protection plate		4	
11	077 971 845 D	clip wiring lambda probe heat protection plate	left	1	
12	8D0 971 845 H	cable holder		1	
12	8D0 971 845 H	holder for loom connecting piece starter		1	
13	4A0 971 845 AD	holder for loom connecting piece starter		1	
14	4A0 971 846 A	bracket	right	1	
15	4A9 971 847 A	bracket wheel bearing housing		8	



Model	Year	MG	SG	Illustration	VIN No.	Update	16:41	18.02.20100		ETKA	
EL	90	9	71	977-08		336					

Pos	Part Number	Name	Remarks	Qty	Model	Pos	Part Number	Name	Remarks	Qty	Model
16	8D0 971 847 B	cable holder		1							
17	8D0 971 847 G	cable holder loom for lambda probe		X							
18	4A0 971 847 H	cable terminal		1							
19	037 971 848 A	clamp		1							
(19)	4A0 971 847 B	clamp	10MM	X							
20	1H0 971 858 F	bracket wiring loom for battery -		1							
21	4D0 971 843 F	bracket		1							
22	8D1 937 545 A	bracket for connector housing	6-pin	1							
23	8D1 937 545 B	bracket for connector housing	6-pin	1							
24	701 971 787 Q	bracket		1							
25	4B0 971 847 D	cable holder		1							
26	06A 971 902	cable holder		1							
27	3B0 971 003	bracket connecting piece flat connector housing flat connector housing	893 971 983 3B0 972 712	1							
28	037 971 501 H	bracket connecting piece flat connector housing	28 pin	1							
28	037 971 501 H	bracket connecting piece flat connector housing	28 pin	1							
29	6K0 971 848 A	clip		X							
30	6K5 971 848	clip		X							



Model	Year	MG	SG	Illustration	VIN No.	Update	16:41	18.02.20100		ETKA	
EL	90	9	71	977-09		336					

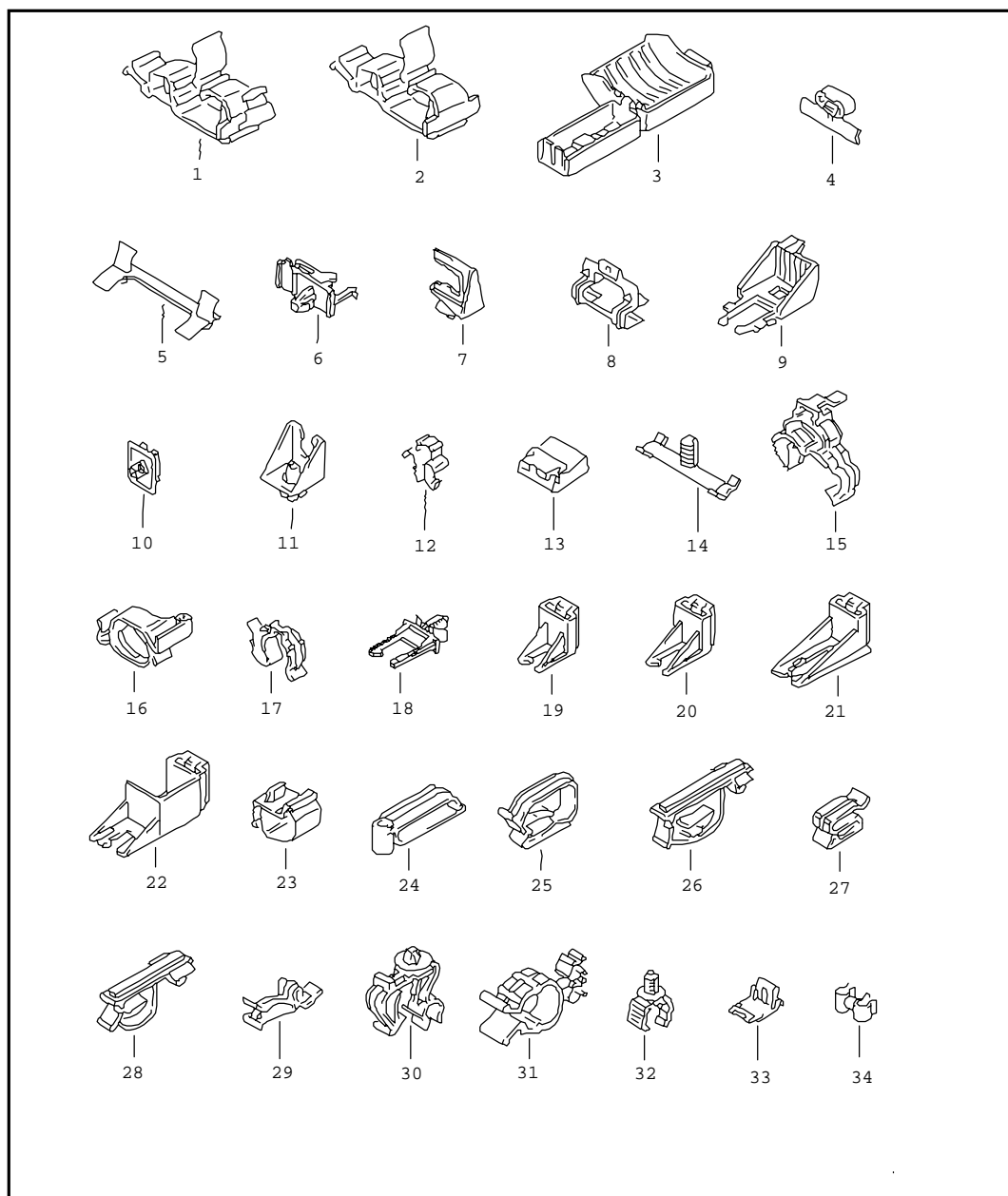


Pos	Part Number	Name	Remarks	Qty	Model
		clip			
		cable holder			
1	3A0 971 611 B	cable holder		X	
2	1H0 971 615 R	cable holder		X	
3	1H0 971 615 S	cable holder		X	
4	6N0 971 615 AD	cable holder		X	
(4)	6N0 971 615 J	cable holder		X	
5	6N0 971 731	cable holder		X	
6	1H0 971 824 B	bracket		X	
7	3A0 971 845 B	bracket		X	
8	4B0 971 845	bracket		X	
9	1H0 971 848 AP	cable holder		X	
10	1H2 971 848	clip	20X34	X	
11	3A0 971 848 B	cable holder		X	
12	6N0 971 848 E	cable holder		X	
13	6N0 971 848 F	cable holder		X	
14	701 971 848 R	cable holder		X	
15	1H0 971 852 B	bracket		X	
16	1HM 971 897 B	clip	18,5X32	X	
17	3A0 971 897 C	bracket		X	
18	3A5 972 595	bracket		X	
19	030 972 822	cable holder		X	
20	8D0 971 847 J	cable holder loom for lambda probe		X	
20	8D0 971 847 J	cable holder loom for lambda probe		X	
21	1H0 971 939	retaining clip		15	
22	8D9 971 848 A	cable holder flap, rear		3	
23	1H0 971 848 D	clip		1	



Model	Year	MG	SG	Illustration	VIN No.	Update	16:41	18.02.20100		ETKA	
EL	90	9	71	977-09		336					

Pos	Part Number	Name	Remarks	Qty	Model	Pos	Part Number	Name	Remarks	Qty	Model
24	6X0 971 848 M	cable holder		X							
25	7D0 971 787 B	cable holder		1							
26	7D0 971 843 B	cable holder		1							



Model	Year	MG	SG	Illustration	VIN No.	Update	16:41	18.02.20100		ETKA	
EL	90	9	71	977-10		336					

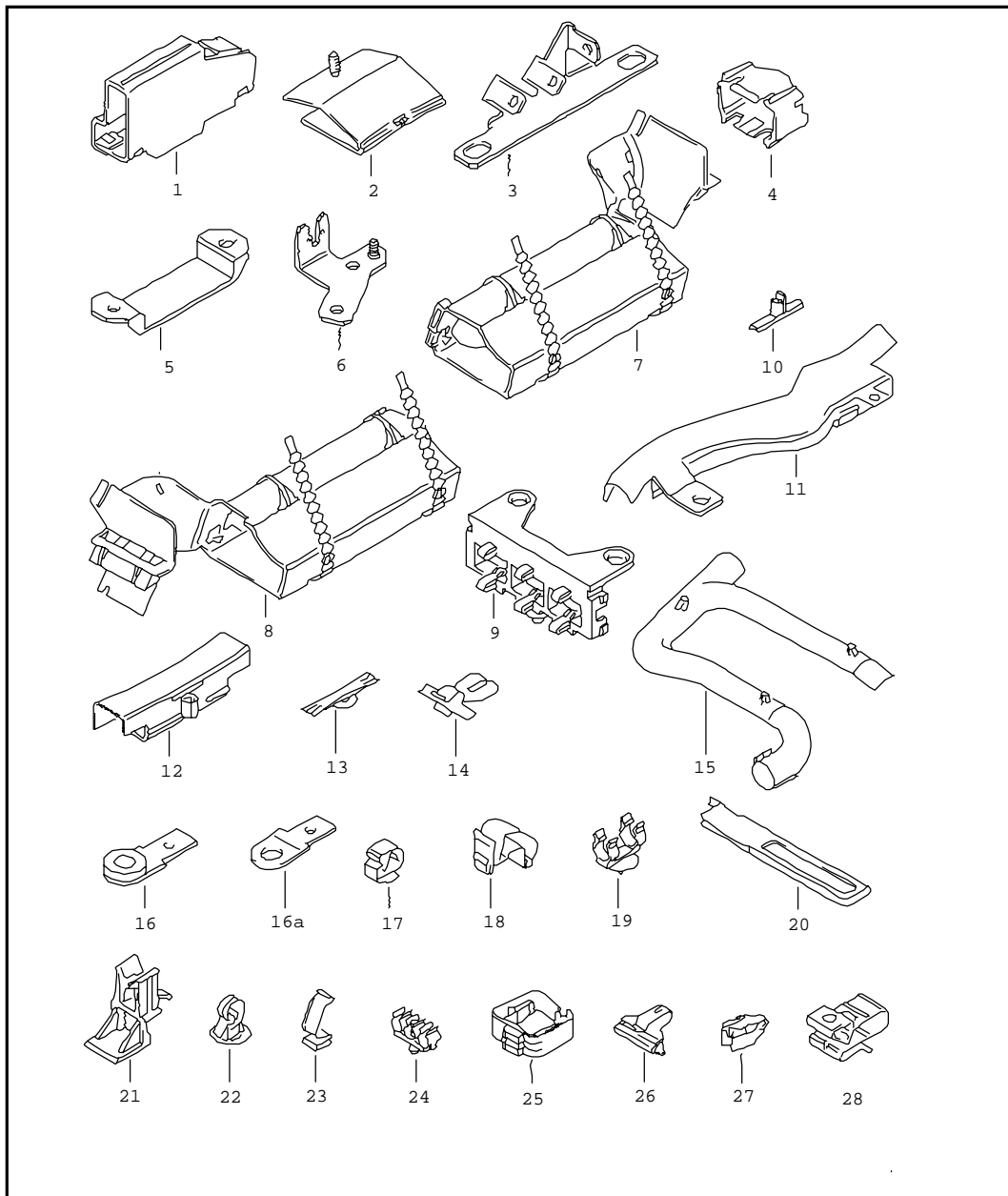


Pos	Part Number	Name	Remarks	Qty	Model
		clip holder			
1	6N0 971 005	cable holder		X	
2	6N0 971 005 A	cable holder		X	
3	6N0 971 006	cable holder		X	
4	3A0 971 615 D	clip	23X46	X	
5	6N0 971 731 A	cable holder		X	
6	701 971 806	cable holder		X	
7	1H0 971 845	bracket		X	
8	1H0 971 845 G	bracket		X	
9	3A0 971 845 D	bracket		X	
10	8A0 971 845 AF	bracket		X	
11	8D0 971 845 C	holder for loom speed sensor		X	
12	1H0 971 847 A	clip	23X46	X	
13	8D0 971 847 A	cable terminal		X	
14	8D0 971 847 C	cable holder	8MM	X	
15	1H0 971 848 AN	cable holder		X	
16	1H1 971 848	clip	20X28	X	
17	3A0 971 848 A	cable holder	17	X	
18	8A0 971 848 G	clip		X	
19	8D0 971 848	cable holder		X	
20	8D0 971 848 A	cable holder		X	
21	8D0 971 848 B	cable holder		X	
21	8D0 971 848 B	cable holder		X	
22	8D0 971 848 F	cable holder		X	
23	8D0 971 848 R	cable holder		X	
24	8D0 971 848 M	bracket	18X50	X	
25	1HM 971 897 D	clip		X	



Model	Year	MG	SG	Illustration	VIN No.	Update	16:41	18.02.20100		ETKA	
EL	90	9	71	977-10		336					

Pos	Part Number	Name	Remarks	Qty	Model	Pos	Part Number	Name	Remarks	Qty	Model
26	1HM 971 897 E	clip		X							
27	191 971 897 B	clip		X							
28	3A0 971 897	cable holder		X							
29	3A0 971 897 B	clip	23X46	X							
30	8D0 971 897	cable holder		X							
31	028 972 335	clip	6X6X28	X							
32	--- --- --- .	discontinued / replacement:	N 907 726 01	X							
(32)	N 907 726 01	cable binder - corrugated pipe hole/sheet metal thickness:	5X200 6,5 / 0,6-2,0	X							
33	1H0 972 891	clamp		X							
34	1H0 972 907	retainer, swivelling	4,3/6	X							



Model	Year	MG	SG	Illustration	VIN No.	Update	16:41	18.02.20100		ETKA	
EL	90	9	71	977-11		336					

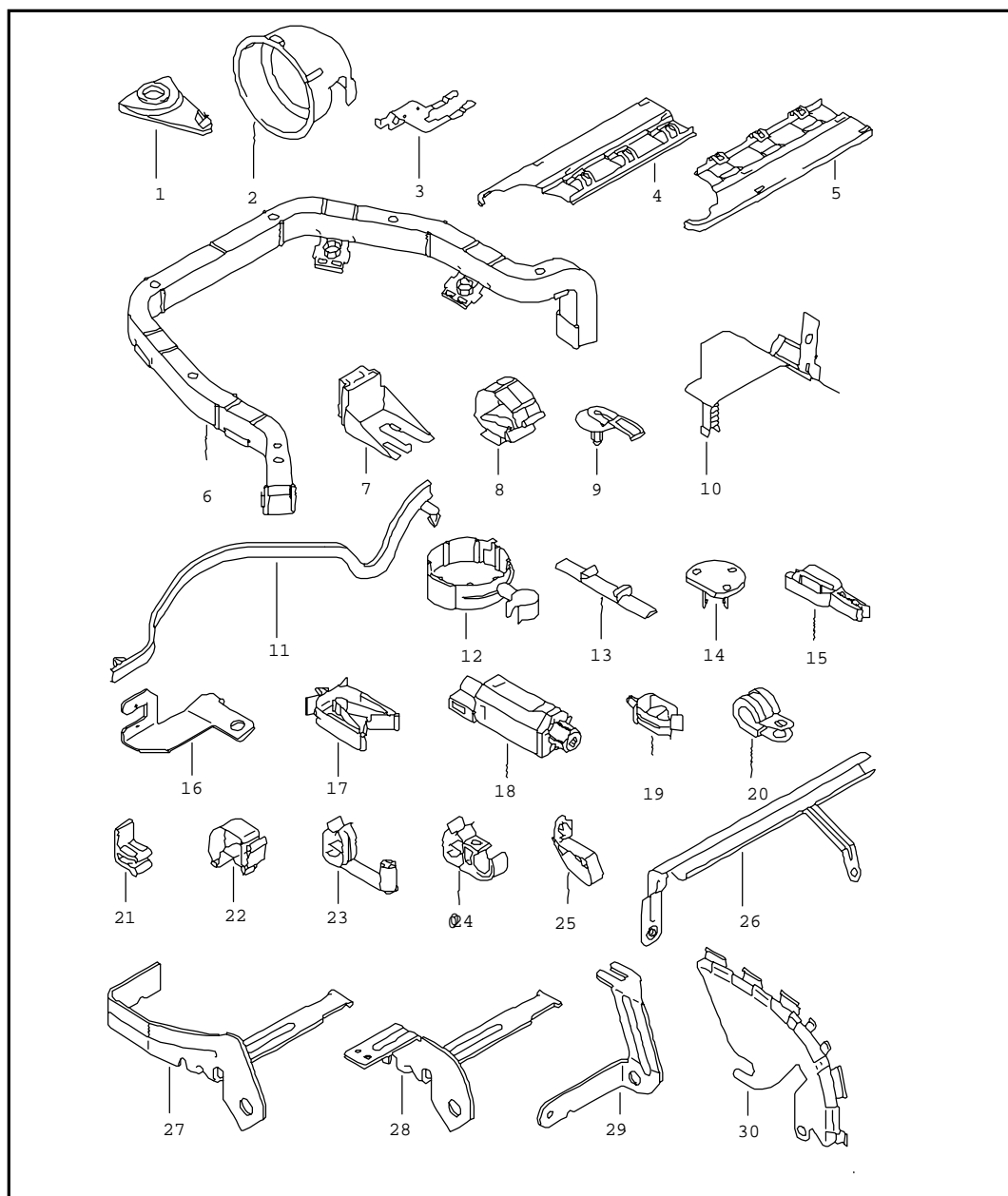


Pos	Part Number	Name	Remarks	Qty	Model
1	4B0 971 824 C	clip cable holder	lhd	1	
2	4B0 971 824 D	wiring conduit steering column	lhd	1	
3	4D0 971 845 AH	holder for loom		1	
4	4D0 971 845 E	holder for loom		1	
5	4D0 971 845 G	holder for loom bracket for pedal cluster		1	
6	701 971 501 E	holder for loom		1	
7	1J1 971 341 A	holder for loom	lhd	1	
8	1J2 971 341 A	holder for loom	rhd	1	
9	6X0 937 545	flat contact housing mounting		2	
10	032 972 822	cable holder		1	
11	1J0 971 446	cable holder		1	
12	1J0 971 446 A	cable holder		1	
13	1J0 971 843 A	cable holder		1	
14	1J4 971 005	cable holder floor assembly		1	
15	1J6 971 615 B	cable holder		1	
16	2D0 971 787 E	cable holder		X	
16A	2D0 971 789 D	cable holder		X	
17	2D0 971 848 A	cable holder		1	
18	3B0 971 848 D	cable holder		X	
19	4B0 971 848 A	cable holder hole/sheet metal thickness:	8MM/0,8-3,5MM	X	
20	6K0 971 615 A	cable holder		1	
21	7M0 971 005 E	cable holder		1	
22	7M0 971 843 H	cable holder		X	
23	8L0 971 847	cable terminal		1	



Model	Year	MG	SG	Illustration	VIN No.	Update	16:41	18.02.20100		ETKA	
EL	90	9	71	977-11		336					

Pos	Part Number	Name	Remarks	Qty	Model	Pos	Part Number	Name	Remarks	Qty	Model
24	8L0 972 847	cable terminal		1							
25	1H0 971 848 AD	clip		1							
26	6K5 971 897	clip		X							
27	6N0 971 848	clip		X							
28	6N0 971 897 A	clip		1							



Model	Year	MG	SG	Illustration	VIN No.	Update	16:42	18.02.20100		ETKA	
EL	90	9	71	977-12		336					

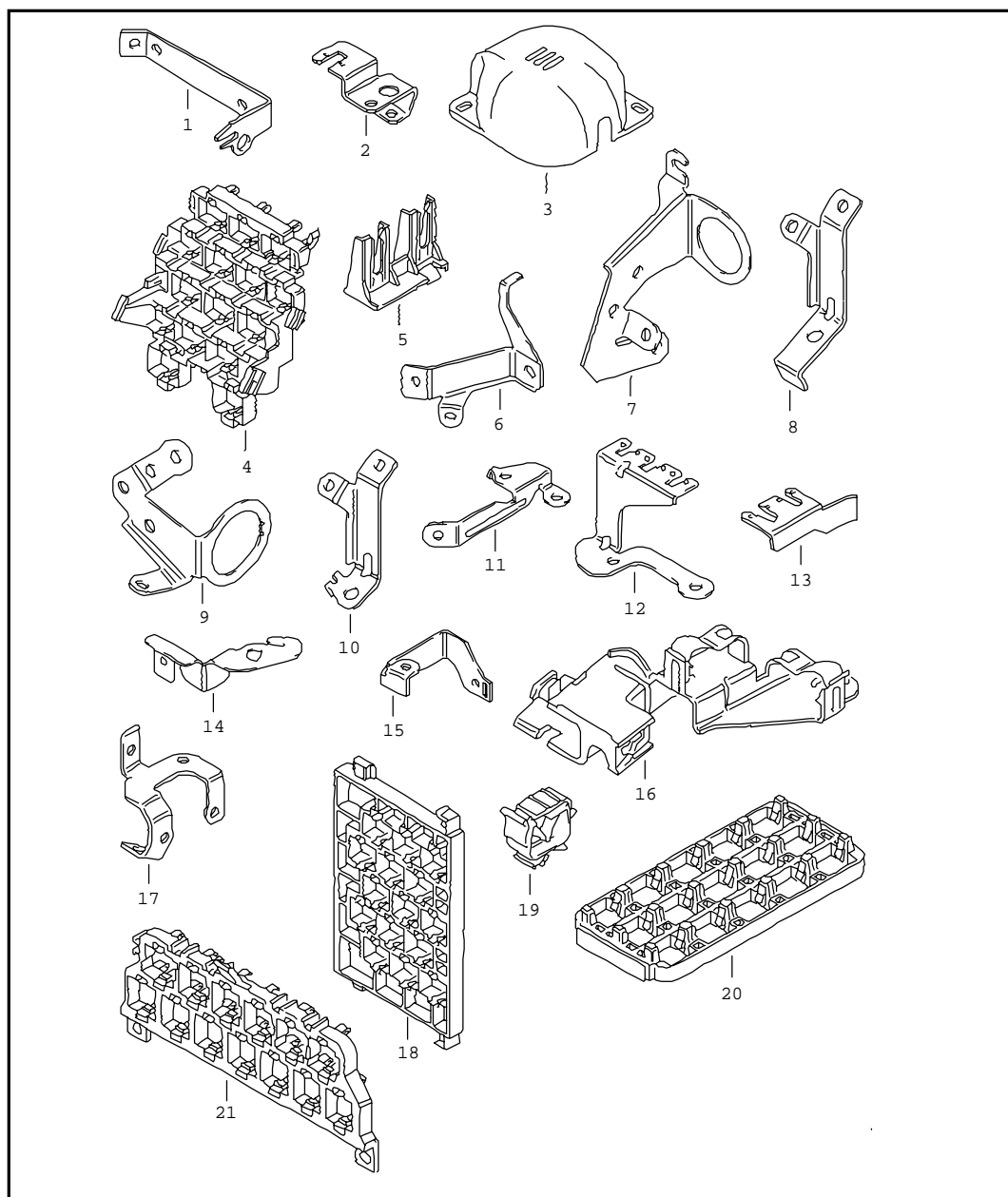


Pos	Part Number	Name	Remarks	Qty	Model
		clip			
		cable holder			
1	6K5 971 847	cable holder		1	
2	6K4 971 615	cable holder		1	
3	6K0 971 741	cable holder		1	
4	6K5 971 897 A	cable holder		1	
5	6K5 971 898	cable holder		1	
6	6N0 971 615 AM	cable holder		1	
7	8D0 971 848 G	cable holder		1	
8	6N0 971 848 K	cable holder		X	
9	6N0 971 898	cable holder		X	
10	6X0 971 615 N	cable holder		1	
11	8L0 971 824	cable holder		1	
12	6X0 971 842	cable holder		1	
13	6X0 971 848	cable holder		X	
14	6X0 971 848 J	cable holder		1	
15	7M0 971 844 M	cable holder		1	
16	701 971 787 AD	cable holder		1	
17	701 971 848 AB	cable holder		1	
18	701 971 848 AC	cable holder		1	
19	8D0 971 847	cable holder hole/sheet metal thickness:	6,8MM	1	
20	8D0 971 849 F	cable holder		X	
21	6N0 971 848 G	cable holder		1	
21	6N0 971 848 G	cable holder		1	
22	8D0 971 848 R	cable holder		2	
24	8D0 971 897 B	cable holder		1	
25	8L0 971 848 B	cable holder		2	
26	1H0 972 823 A	bracket		1	



Model	Year	MG	SG	Illustration	VIN No.	Update	16:42	18.02.20100		ETKA	
EL	90	9	71	977-12		336					

Pos	Part Number	Name	Remarks	Qty	Model	Pos	Part Number	Name	Remarks	Qty	Model
27	7M0 971 005 F	bracket		1							
28	7M0 971 005 G	bracket		1							
29	7M0 971 502 G	bracket		1							
30	1J0 971 615 K	wiring conduit		1							



Model	Year	MG	SG	Illustration	VIN No.	Update	16:42	18.02.20100		ETKA	
EL	90	9	71	977-13		336					

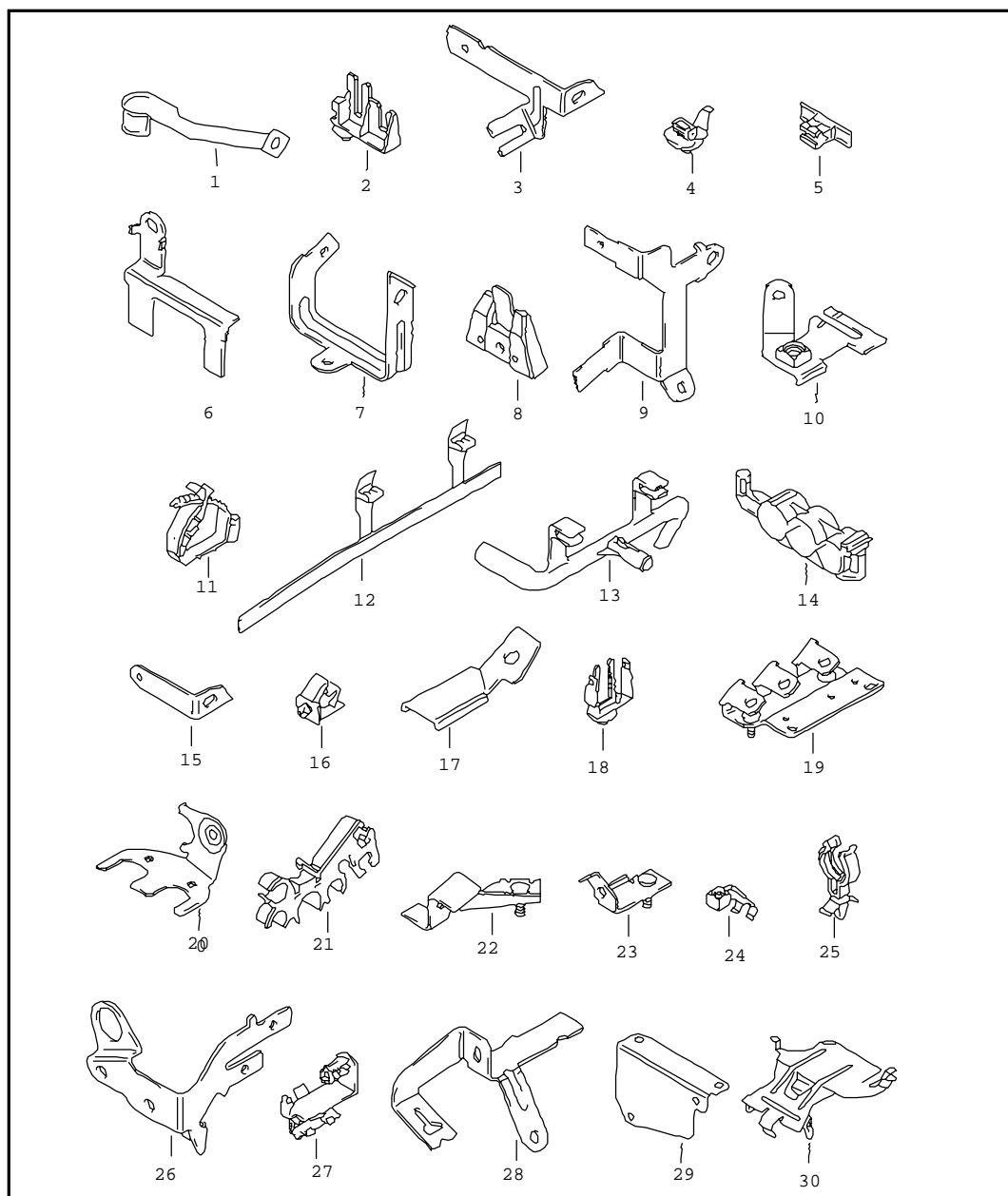


Pos	Part Number	Name	Remarks	Qty	Model
2	021 971 824 F	clip cable holder		1	
3	1J0 971 830	bracket for connector housing		1	
4	8D0 937 545 G	bracket for connector housing a pillar	17 point	1	
5	701 971 899 L	clip connecting piece flat contact housing lambda probe		1	
6	030 971 502 C	bracket wiring harness for alternator		1	
7	030 971 502 D	bracket coupling piece loom for engine compartment		1	
8	030 971 502 E	bracket wiring harness for alternator		1	
9	030 971 502 F	bracket coupling piece loom for engine compartment		1	
10	030 971 502 H	bracket wiring harness for alternator		1	
11	030 971 502 M	bracket		1	
12	06A 971 502	bracket		1	
13	06A 971 502 E	bracket		1	
14	06A 971 502 F	bracket		1	
14	06A 971 502 F	bracket		1	
15	06A 971 858	bracket		1	
16	6K0 971 615	cable holder		1	
17	021 971 502 D	bracket connecting piece wiring loom for engine		1	



Model	Year	MG	SG	Illustration	VIN No.	Update	16:42	18.02.20100		ETKA	
EL	90	9	71	977-13		336					

Pos	Part Number	Name	Remarks	Qty	Model	Pos	Part Number	Name	Remarks	Qty	Model
18	1J1 941 379	flat contact housing mounting		1							
19	7D0 971 849	cable holder		X							
20	4D0 937 503	bracket for connector housing	15 point	1							
21	8D0 937 503 E	bracket for connector housing	13 point	1							



Model	Year	MG	SG	Illustration	VIN No.	Update	16:42	18.02.20100		ETKA	
EL	90	9	71	977-14		336					

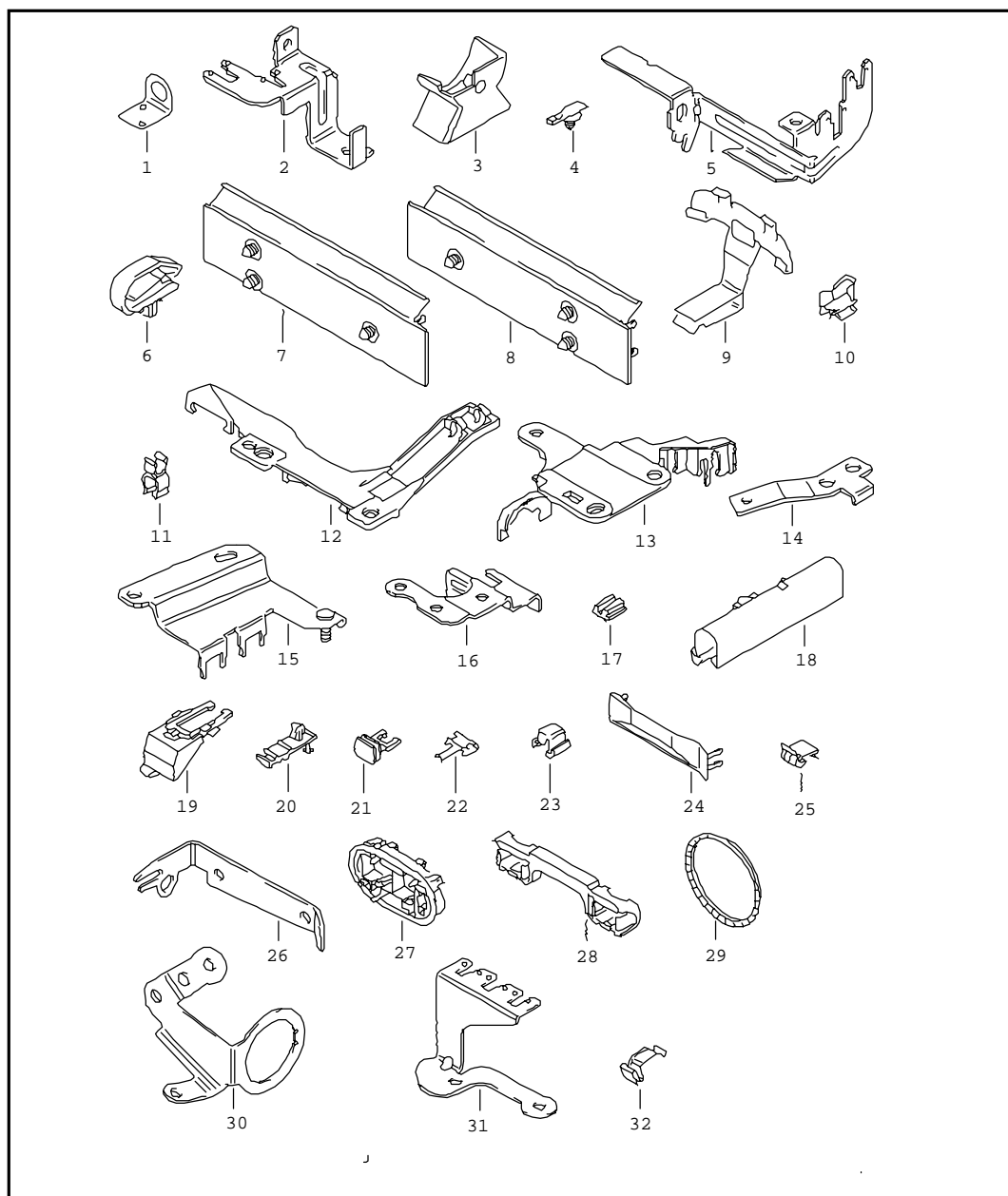


Pos	Part Number	Name	Remarks	Qty	Model
		cable holder clip			
1	1H0 907 324 B	bracket		1	
2	1H0 971 845 K	bracket		1	
3	1H0 971 858 E	bracket		1	
4	1J0 971 003	bracket		X	
5	1J0 971 003 A	bracket roof wiring harness		X	
6	1J0 971 502 B	bracket loom for automatic gearbox		1	
7	1J0 971 502 C	bracket loom for automatic gearbox		1	
8	1J0 971 457	bracket altitude sensor		1	
9	1J0 971 502 E	bracket loom for automatic gearbox		1	
10	1J0 971 812 C	bracket		1	
11	1J0 971 843	bracket water box		X	
12	1J0 971 615 S	wiring conduit		1	
13	1J0 971 848	bracket side member	right	1	
14	1J0 971 849	bracket water box		X	
15	1J0 971 858 A	bracket		1	
16	1J6 971 848	bracket		X	
16	1J6 971 848	bracket		X	
17	2D0 937 539 S	bracket		1	
18	3B0 971 003 B	bracket		1	
19	4A0 971 845 AK	bracket water box		1	



Model	Year	MG	SG	Illustration	VIN No.	Update	16:42	18.02.20100		ETKA	
EL	90	9	71	977-14		336					

Pos	Part Number	Name	Remarks	Qty	Model	Pos	Part Number	Name	Remarks	Qty	Model
20	4A0 971 845 AL	bracket loom for transmission		1							
21	4B0 971 845	bracket		1							
22	4D0 971 843 D	bracket loom for motronic		1							
23	4D0 971 843 E	bracket loom for motronic		1							
24	6K0 971 804	bracket		1							
25	6K0 971 847 A	bracket		1							
26	6N0 971 502	bracket adapter wiring loom for automatic gearbox		1							
27	6N0 971 845 C	bracket for lambda probe		1							
28	6N0 971 858	bracket		1							
29	7D0 937 503	bracket fuse box		1							
30	7D0 937 497	bracket fuse box abs unit		1							



Model	Year	MG	SG	Illustration	VIN No.	Update	16:42	18.02.20100		ETKA	
EL	90	9	71	977-15		336					





Pos	Part Number	Name	Remarks	Qty	Model
1	7M0 971 503	cable holder clip		1	
2	7M0 971 787 D	bracket connecting piece outer temperature sensor		1	
3	7M0 971 820 B	bracket anti-knock sensor		1	
4	7M0 971 845 A	bracket wiring loom for battery +		1	
5	7M0 971 845 G	bracket anti-knock sensor		1	
6	7M0 971 848 H	bracket		X	
7	7M1 971 845 B	bracket		1	
8	7M2 971 845 B	bracket		1	
9	701 971 898 K	bracket connecting piece brake servo		1	
10	8A0 971 847 F	bracket		1	
11	8D0 971 532	bracket		1	
12	8D0 971 845 AC	bracket connecting piece water box	right	1	
13	8D0 971 845 AN	bracket water box	left	1	
14	8D0 971 845 J	bracket		1	
15	8D0 971 845 N	bracket connecting piece loom for automatic		1	
16	8D0 971 845 T	bracket flat contact housing loom injector		1	
17	8D0 972 081	bracket fuse holder		1	
18	1J2 971 843 A	holder		1	

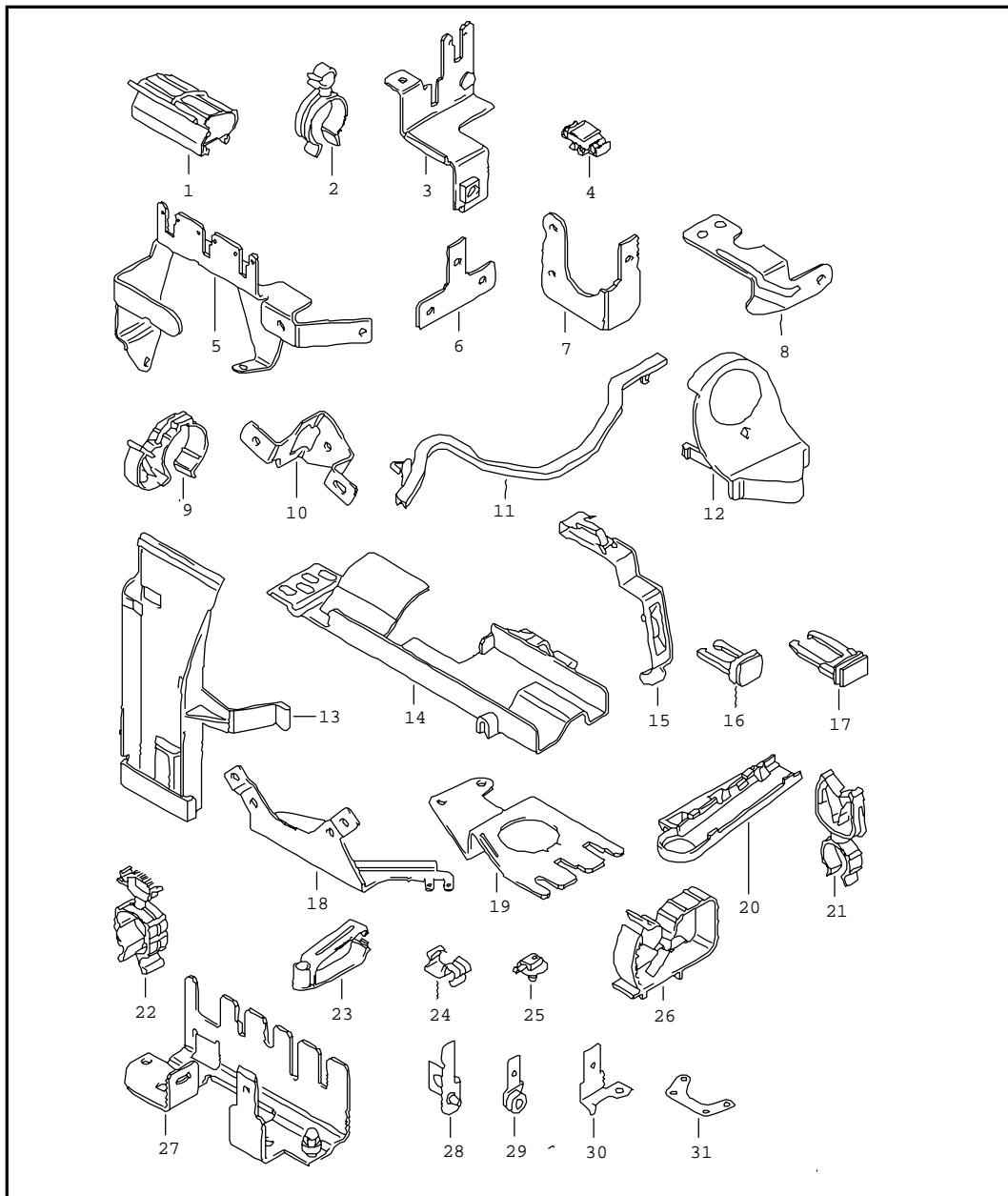
Model	Year	MG	SG	Illustration	VIN No.	Update	16:42	18.02.20100		ETKA	
EL	90	9	71	977-15		336					

Pos	Part Number	Name	Remarks	Qty	Model	Pos	Part Number	Name	Remarks	Qty	Model
19	1H0 971 845 C	bracket flat contact housing	1J0 973 835	1							
20	7D1 971 806	cable holder		1							
21	1J0 971 845 A	bracket connecting piece wiring conduit	16X26	X							
22	7M0 971 842 A	cable holder		1							
23	4B0 971 828	cable connector		1							
24	4D0 941 819	cover junction box		1							
25	030 971 842 B	clip	20,5X15	X							
27	8D0 937 545 E	bracket for connector housing pillar b		X							
28	06A 971 902	cable holder		1							
29	8D0 971 882	protective ring a pillar	59,5	X							
30	030 971 502 F	bracket coupling piece loom for engine compartment		1							
31	06A 971 502	bracket		1							
32	8L0 971 847	cable terminal		1							



Model	Year	MG	SG	Illustration	VIN No.	Update	15:01	18.02.20100		ETKA	
EL	90	9	71	977-16		336					

Pos	Part Number	Name	Remarks	Qty	Model
		cable holder clip			
-	8D0 937 083	retaining clip bracket for connector housing	17 point	1	
-	1J0 971 615 L	wiring conduit		1	
-	1J0 971 830 F	bracket for connector housing for vehicles with 2 electric fans		1	
-	1J0 971 842 C	cable holder		1	
-	4B9 971 848 A	cable holder hole/sheet metal thickness:	6,5MM/0,6-3MM	X	
-	8A0 971 848 C	clip		2	
-	4B0 971 847 C	cable holder for sheet metal thickness:	19,8/13MM 8MM	1	
-	4B0 971 848 C	cable holder hole/sheet metal thickness:	8MM/0,8-3MM	X	
-	4B0 971 848 E	cable holder radio		1	
-	1H0 971 939 C	clip electric fan		1	
-	1J0 971 939 C	clip electric fan		1	
-	4B1 972 081	mounting for relay plate		1	



Model	Year	MG	SG	Illustration	VIN No.	Update	16:42	18.02.20100		ETKA	
EL	90	9	71	977-17		336					

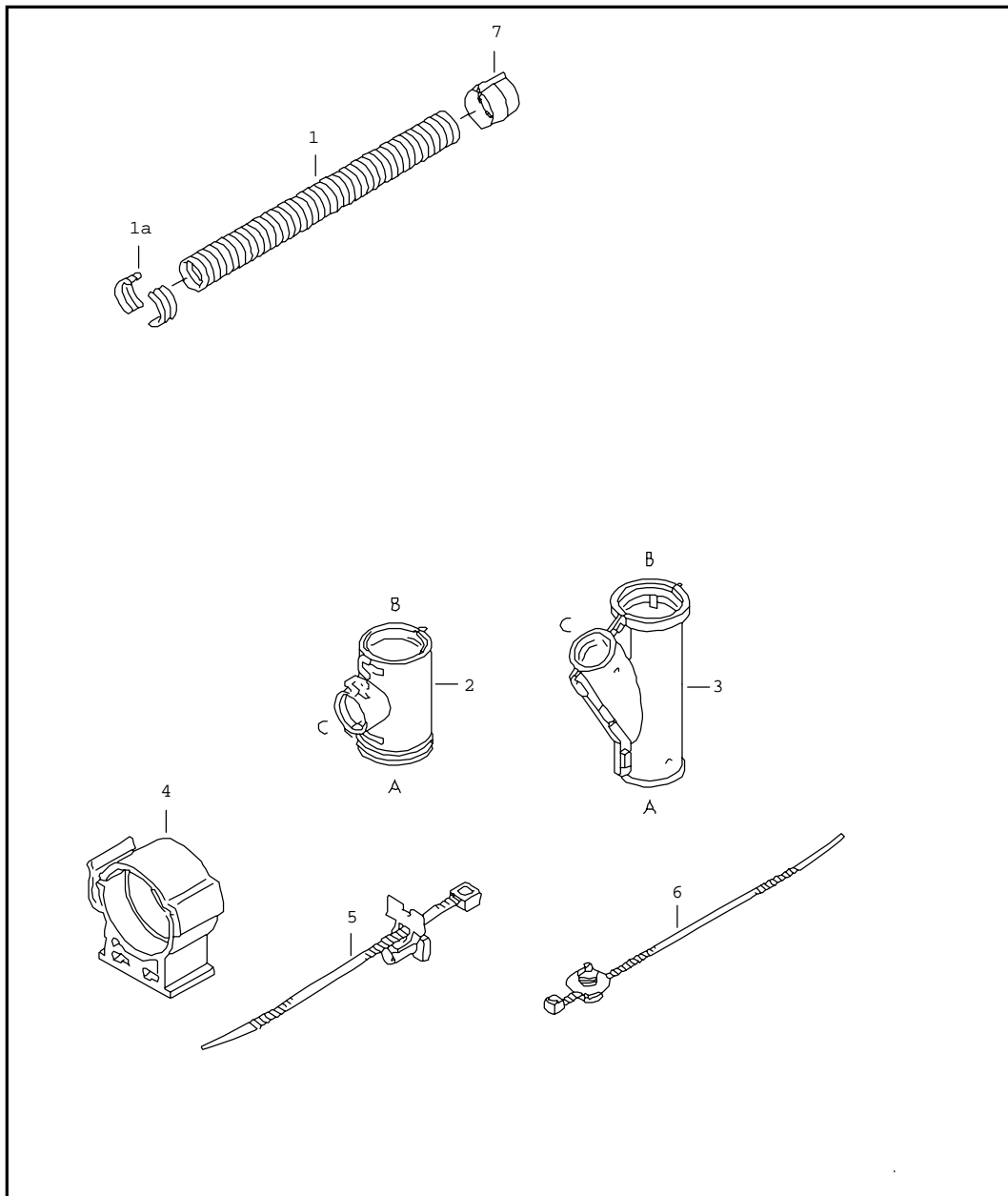


Pos	Part Number	Name	Remarks	Qty	Model
1	1H0 971 615 AB	cable holder holder		1	
2	281 957 787 C	cable holder	12/29	1	
3	7D0 971 787	bracket for connector housing		1	
4	1J0 937 510	adapter flat contact housing		X	
5	06A 971 502 M	bracket connecting piece anti-knock sensor		1	
6	06A 971 502 N	bracket connecting piece wiring loom for engine		1	
8	071 971 502 B	bracket wiring loom for engine injector area:		1	
9	021 971 848 A	cable holder connecting piece cooling pipe	34,8	1	
10	7M0 951 185 K	bracket SDS-HORN		1	
11	8L0 971 824	cable holder		1	
12	1E2 971 615	cable holder	rhd	1	
13	6N2 971 615 A	cable holder	rhd	1	
14	6N2 971 615 C	cable holder	rhd	1	
15	7D0 971 842	cable holder	rhd	X	
16	1J0 971 845 B	bracket	18X31,5	X	
17	1J0 971 845 C	bracket	22X50	X	
17	1J0 971 845 C	bracket	22X50	X	
18	032 971 502 A	bracket		1	
19	037 971 502 B	bracket		1	
20	1H5 971 897 A	bracket		1	
21	7M0 971 843 G	bracket		1	



Model	Year	MG	SG	Illustration	VIN No.	Update	16:42	18.02.20100		ETKA	
EL	90	9	71	977-17		336					

Pos	Part Number	Name	Remarks	Qty	Model	Pos	Part Number	Name	Remarks	Qty	Model
22	028 972 335 A	clip		1							
23	8D0 971 849 G	clip floor assembly		X							
24	030 971 842 A	clip	25,5X15	X							
25	N 906 851 01	bracket for connector housing	A6,5	1							
26	7D0 971 006	cable holder mounting for headlamps		X							
27	2D0 971 787 F	cable holder		1							
28	2D0 971 787 D	cable holder		1							
29	2D0 971 789 D	cable holder		X							
30	2D0 971 789 E	cable holder		1							
31	2D0 971 789 J	cable holder intake manifold		1							



Model	Year	MG	SG	Illustration	VIN No.	Update	16:43	18.02.20100		ETKA	
EL	90	9	71	979-00		336					

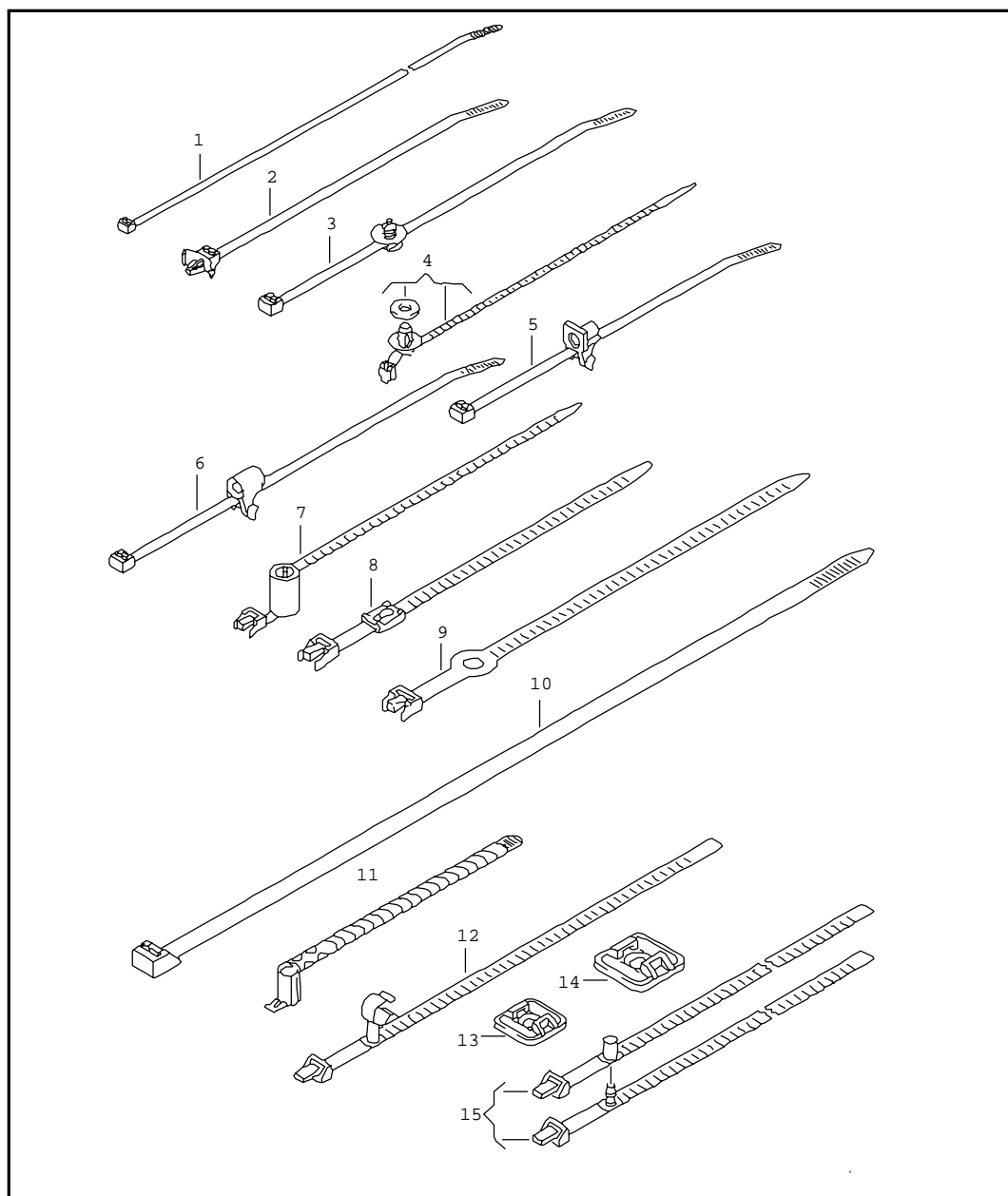


Pos	Part Number	Name	Remarks	Qty	Model
		corrugated pipe			
(1)	N 906 355 17	corrugated pipe	5000X4,5	1	
(1)	N 906 332 22	corrugated pipe	5000X7,5	1	
(1)	N 907 735 01	corrugated pipe	5000X10	1	
(1)	N 907 736 01	corrugated pipe	5000X13	1	
(1)	N 907 737 01	corrugated pipe	5000X17	1	
(1)	N 907 738 01	corrugated pipe	5000X22	1	
(1)	N 907 745 01	corrugated pipe	5000X26	1	
(1)	535 971 820 C	corrugated pipe	1000X22	1	
(1)	895 971 788	corrugated pipe	260X22 area: -200/+250 C	1	
(1)	893 971 788 B	corrugated pipe	400X17 area: -200/+250 C	1	
(1)	893 971 788 C	corrugated pipe	450X14 area: -200/+250 C	1	
1A	N 907 484 01	adapter corrugated pipe	22/17	1	
		corrugated pipe t piece for corrugated pipe:	A-B-C		
(2)	N 906 688 01	corrugated pipe t piece	7,5-7,5-7,5	X	
(2)	N 906 689 01	corrugated pipe t piece	10-7,5-7,5	X	
(2)	N 906 692 01	corrugated pipe t piece	13-10-10	X	
(2)	N 906 693 01	corrugated pipe t piece	13-13-7,5	X	
(2)	N 906 694 01	corrugated pipe t piece	13-7,5-13	X	
(2)	N 906 695 01	corrugated pipe t piece	17-17-10	X	
(2)	N 906 696 01	corrugated pipe t piece	17-17-7,5	X	
(2)	N 906 697 01	corrugated pipe t piece	17-13-13	X	
(2)	N 906 802 01	corrugated pipe t piece	17-13-7,5	X	
(2)	N 906 804 01	corrugated pipe t piece	22-22-4,5	X	
(2)	N 906 805 01	corrugated pipe t piece	22-13-17	X	



Model	Year	MG	SG	Illustration	VIN No.	Update	16:43	18.02.20100		ETKA	
EL	90	9	71	979-00		336					

Pos	Part Number	Name	Remarks	Qty	Model	Pos	Part Number	Name	Remarks	Qty	Model
(2)	N 906 806 01	corrugated pipe t piece	22-22-22	X							
(2)	N 906 890 01	corrugated pipe t piece	22-22-13	X				corrugated pipe end piece			
(2)	N 906 892 01	corrugated pipe t piece	26-17-17	X		(7)	N 906 819 01	corrugated pipe end piece	4,5	X	
(2)	N 906 893 01	corrugated pipe t piece	17-13-10	X		(7)	N 906 820 01	corrugated pipe end piece	7,5	X	
(2)	N 907 018 01	corrugated pipe t piece	7,5-7,5-5	X		(7)	N 906 821 01	corrugated pipe end piece	10	X	
(2)	N 907 019 01	corrugated pipe t piece	10-10-6,9	X		(7)	N 906 822 01	corrugated pipe end piece	13	X	
(2)	N 907 023 01	corrugated pipe t piece	22-22-8,5	X		(7)	N 906 826 01	corrugated pipe end piece	17	X	
(2)	N 907 047 01	corrugated pipe t piece	22-17-13	X		(7)	N 906 827 01	corrugated pipe end piece	22	X	
(2)	N 907 048 01	corrugated pipe t piece	22-22-7,5	X							
(2)	N 907 024 01	corrugated pipe t piece	26-26-8,5	X							
(2)	N 907 065 01	corrugated pipe t piece	26-22-22	X							
		corrugated pipe y piece for corrugated pipe:	A-B-C								
(3)	037 972 645	corrugated pipe y piece	7,5-7,5-4,5	X							
(3)	N 906 807 01	corrugated pipe y piece	7,5-4,5-4,5	X							
(3)	N 906 809 01	corrugated pipe y piece	22-17-10	X							
(3)	N 906 812 01	corrugated pipe y piece	22-17-13	X							
(3)	N 907 183 01	corrugated pipe y piece	22-22-22	X							
(3)	N 907 318 01	corrugated pipe y piece	26-22-22	1							
		corrugated pipe piece									
(4)	N 906 979 01	bracket for corrugated pipe	13	X							
(4)	N 906 980 01	bracket for corrugated pipe	17	X							
(4)	N 906 981 01	bracket for corrugated pipe	22	X							
(4)	N 906 982 01	bracket for corrugated pipe	26	X							
5	1J0 971 838	cable binder with bracket for plastic pin:	5X200 5	X							
6	N 906 661 01	cable binder hole/sheet metal thickness:	4,5X200 6,5 / 0,3-3,0	X							



Model	Year	MG	SG	Illustration	VIN No.	Update	16:43	18.02.20100		ETKA	
EL	90	9	71	979-10		336					

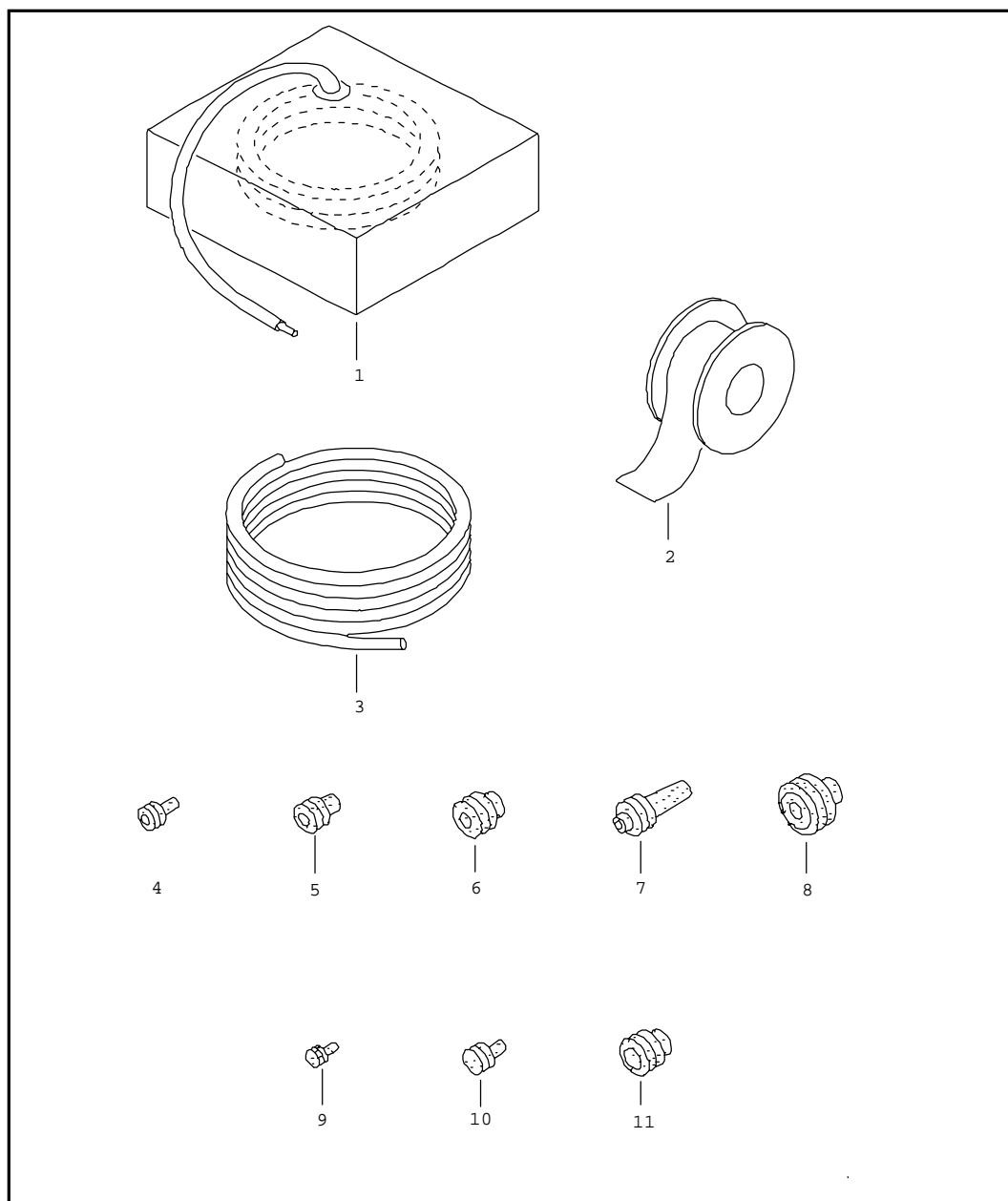


Pos	Part Number	Name	Remarks	Qty	Model
		cable binder retaining plate for cable binder (adhesive)			
1	N 020 902 2	cable binder	6X246	X	
(1)	N 020 904 8	cable binder	2,5X144	X	
2	1H0 971 850	cable binder hole/sheet metal thickness: 8,0 / 0,6-2,5	4,6X215	X	
3	N 906 661 01	cable binder hole/sheet metal thickness: 6,5 / 0,3-3,0	4,5X200	X	
(3)	N 906 881 01	cable binder hole/sheet metal thickness: 5,0 / 0,6-1,5	4,6X150	X	
(3)	N 900 603 01	cable binder hole/sheet metal thickness: 6,5X175	6,3 / 0,6-3,5	10	
4	1J0 957 818 A	cable binder gasket for base plate hole/sheet metal thickness: 6,5 / 0,6-1,5 for door or dashboard	4,5X162	X	
(4)	N 907 104 01	cable binder hole/sheet metal thickness: 7,0X165	6,2 / 0,8-2,5	X	
5	1J0 971 838	cable binder with bracket for plastic pin: 5	5X200	X	
6	1J0 971 838 A	cable binder with bracket for welded pin: 5	5X200	X	
(6)	N 904 449 01	cable binder	5X230	X	
7	N 903 571 01	cable binder	5X171/M8	X	
8	811 971 850	cable binder	7X165	1	
9	N 905 786 01	cable binder	8X216	X	
10	8A9 971 850 A	cable binder	530X14	X	
11	8D0 971 850 C	cable binder welded pin	9/6X119 6MM	X	
(11)	N 906 437 01	cable binder with bracket for welded pin: 5	10X187	X	
(11)	N 906 333 01	cable binder with bracket for welded pin: 5	10X100	X	
12	443 957 818 C	cable binder	7X273-8	1	



Model	Year	MG	SG	Illustration	VIN No.	Update	16:43	18.02.20100		ETKA	
EL	90	9	71	979-10		336					

Pos	Part Number	Name	Remarks	Qty	Model	Pos	Part Number	Name	Remarks	Qty	Model
13	000 971 010	retaining plate for cable binder (adhesive) as required use:	19X19MM N 020 902 2	X							
14	000 971 010 A	retaining plate for cable binder (adhesive) as required use:	27X27MM N 020 902 2	X							
15	4A0 820 199	double cable binder		X							
-	000 097 401	box with cable connectors and crimping tool comprising:		1							
-	000 097 405	crimping tool		1							



Model	Year	MG	SG	Illustration	VIN No.	Update	16:43	18.02.20100		ETKA	
EL	90	9	71	979-20		336					





Pos	Part Number	Name	Remarks	Qty	Model
		electric cable insulating tape insulating hose 1 set of shrink fit sleeves can be welded watertight			
(1)	000 979 980	electric cable in 10m yellow bag		1	0,35
(1)	000 979 981	electric cable in 10m yellow bag		1	0,5
(1)	000 979 982	electric cable in 10m yellow bag		1	1
(1)	000 979 982 B	electric cable in 3m yellow bag -high temperatut resist.-		1	1
(1)	000 979 983	electric cable in 10m yellow bag		1	1,5
(1)	000 979 984	electric cable in 10m yellow bag		1	2,5
(1)	000 979 985	electric cable in 5m yellow bag		1	4
(1)	000 979 986	electric cable in 5m yellow bag		1	6
(1)	N 900 120 08	resistance cable (green) in coils of 50m 'order unit 50'	14 OHM/M	*	
(1)	N 900 120 04	resistance cable (transparent/green) in coils of 50m 'order unit 50'	0,5 OHM/M	*	
(1)	N 900 120 05	resistance cable (transparent/black) in coils of 50m 'order unit 50'	0,27 OHM/M	*	
2	N 103 113 04	insulating tape	0,15X19 yellow	1	
3	N 018 004 1	insulating hose in coils of 5m 'order unit 5'	4X0,5	*	
(3)	N 018 007 4	insulating hose in coils of 5m 'order unit 5'	W7X0,6	*	
(3)	N 900 183 01	insulating hose in coils of 5m high temperature resistant 'order unit 5'	yellow 11X0,7 +180C/-25C	*	

Model	Year	MG	SG	Illustration	VIN No.	Update	16:43	18.02.20100		ETKA	
EL	90	9	71	979-20		336					



Pos	Part Number	Name	Remarks	Qty	Model	Pos	Part Number	Name	Remarks	Qty	Model
(3)	N 900 183 02	insulating hose in coils of 5m high temperature resistant 'order unit 5'	brown 11X0,7 +250C/-40C	*		(6)	3B0 972 742 A	single wiring seal for wire cross section:	8,2X8,5 yellow 4,0	X	
(3)	N 018 014 1	insulating hose in coils of 5m 'order unit 5'	14X0,8	*		6	357 972 742	single wiring seal for wire cross section:	9,0X7,8 yellow 1,0	X	
-	000 979 990	1 set of shrink fit sleeves can be welded watertight contents of package:	3MM >> 1MM 20 STK	X		(6)	357 972 742 A	single wiring seal for wire cross section:	9,0X7,8 white 1,5	X	
-	000 979 991	1 set of shrink fit sleeves can be welded watertight contents of package:	6MM >> 2MM 12 STK	X		(6)	357 972 742 B	single wiring seal for wire cross section:	9,0X7,8 red 2,5	X	
-	000 979 992	1 set of shrink fit sleeves can be welded watertight contents of package:	12MM >> 4MM 8 STK	X		(6)	357 972 742 C	single wiring seal for wire cross section:	9,0X7,8 green 4,0	X	
		single wiring seal				(6)	357 972 742 E	single wiring seal for wire cross section:	9,0X7,8 blue 4,0	X	
(4)	3B0 972 742 B	single wiring seal for wire cross section:	3,6X8,5 yellow 0,35	X		(6)	357 972 742 D	single wiring seal for wire cross section:	9,0X7,8 grey 6,0	X	
(4)	3B0 972 742 C	single wiring seal for wire cross section:	3,6X8,5 green 0,5-0,75	X		7	357 972 743	single wiring seal for wire cross section:	9,0X23,5 blue 1,5	X	
4	357 972 740 D	single wiring seal for wire cross section:	3,9X7,8 grey 0,5-1,0	X		8	357 972 744	single wiring seal for wire cross section:	16,2X15,0 orange 4,0	X	
(4)	357 972 740 E	single wiring seal for wire cross section:	3,9X7,8 black 0,35-0,5	X		(8)	357 972 744 A	single wiring seal for wire cross section:	16,2X15,0 light blue 6,0	X	
5	357 972 741	single wiring seal for wire cross section:	5,6X7,8 blue 1,0	X				plug			
(5)	357 972 741 A	single wiring seal for wire cross section:	5,6X7,8 red 1,5	X		(9)	3B0 972 840	plug	3,6X8,5 blue	X	
(5)	357 972 741 B	single wiring seal for wire cross section:	5,6X7,8 yellow orange 2,5	X		9	357 972 840	plug	4,0X7,8 white	X	
(6)	3B0 972 742	single wiring seal for wire cross section:	8,2X8,5 white 1,5-2,5	X		10	357 972 841	plug	5,6X7,8 green	X	
						11	357 972 842	plug	9,0 black	X	

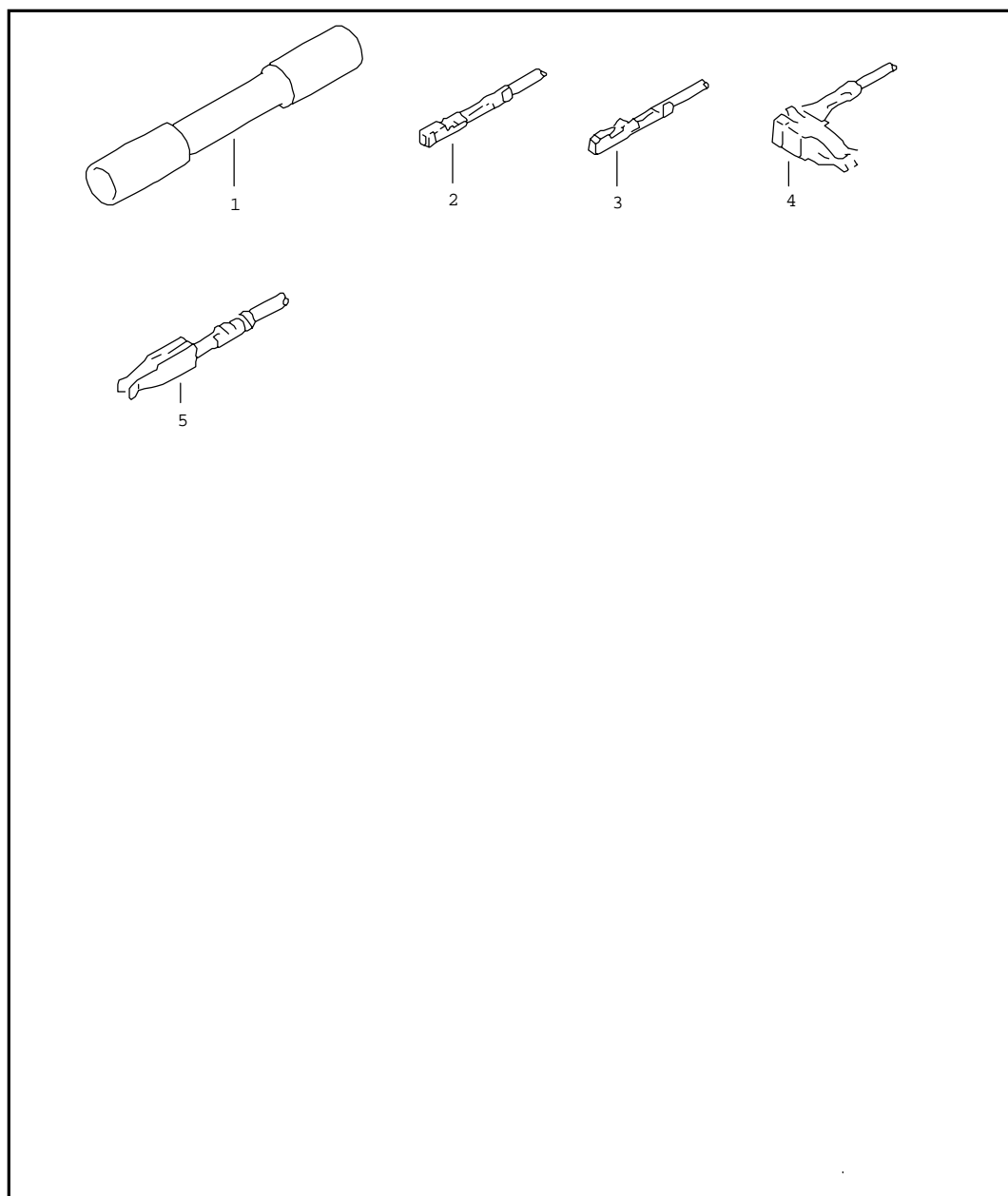
Model	Year	MG	SG	Illustration	VIN No.	Update	15:01	18.02.20100		ETKA	
EL	90	9	71	979-25		336					

Pos	Part Number	Name	Remarks	Qty	Model
		flat contact cable shoe cyl. connector with solder pin			
-	111 971 511	junction box		X	
-	311 971 935	push-on connector		1	
-	443 971 937 A	spring contact		1	
-	111 971 941	flat sleeve	6,3X2,5	X	
-	141 971 945	flat sleeve	A2,8X1	X	
-	111 971 949 A	cable shoe	A4,0	X	
-	111 971 949 B	cable shoe	A6,0	X	
-	111 971 945 C	cable shoe	A4,0	X	
-	111 971 945 D	cable shoe	A6,0	X	
-	111 971 945 E	cable shoe	A8,0	X	
-	111 971 947 A	cable shoe	A4,0	X	
-	111 971 947 B	cable shoe	A6,0	X	
-	111 971 948	cable shoe	8 4-6MM	1	
-	111 971 948 A	cable shoe	10 4-6MM	1	
-	111 971 949 A	cable shoe	A4,0	X	
-	111 971 949 B	cable shoe	A6,0	X	
-	111 971 950	cable shoe	A8 1-2,5	2	
-	443 972 982 A	cyl. connector with solder pin	2,5	X	
-	443 972 982 B	cyl. connector with solder pin	4,0	X	
-	443 972 982 D	cyl. connector with solder pin	2,5	X	
-	2D0 972 982	cyl. connector with solder pin	2,5/17MM	X	
-	2D0 972 982	cyl. connector with solder pin	2,5/17MM	X	
-	2D0 972 982 A	cyl. connector with solder pin	2,5/12MM	X	
-	2D0 972 982 D	cyl. connector with solder pin	4,0/15MM	X	
-	2D0 972 982 E	cyl. connector with solder pin	4,0/21MM	X	
-	2D0 972 982 F	cyl. connector with solder pin	4,0/15MM	X	



Model	Year	MG	SG	Illustration	VIN No.	Update	15:02	18.02.20100		ETKA	
EL	90	9	71	979-25		336					

Pos	Part Number	Name	Remarks	Qty	Model	Pos	Part Number	Name	Remarks	Qty	Model
-	8A0 972 980 A	cyl. connector with solder pin	27,5X5X3,5	X	1,0-2,5						



Model	Year	MG	SG	Illustration	VIN No.	Update	16:44	18.02.20100		ETKA	
EL	90	9	71	979-30		336					

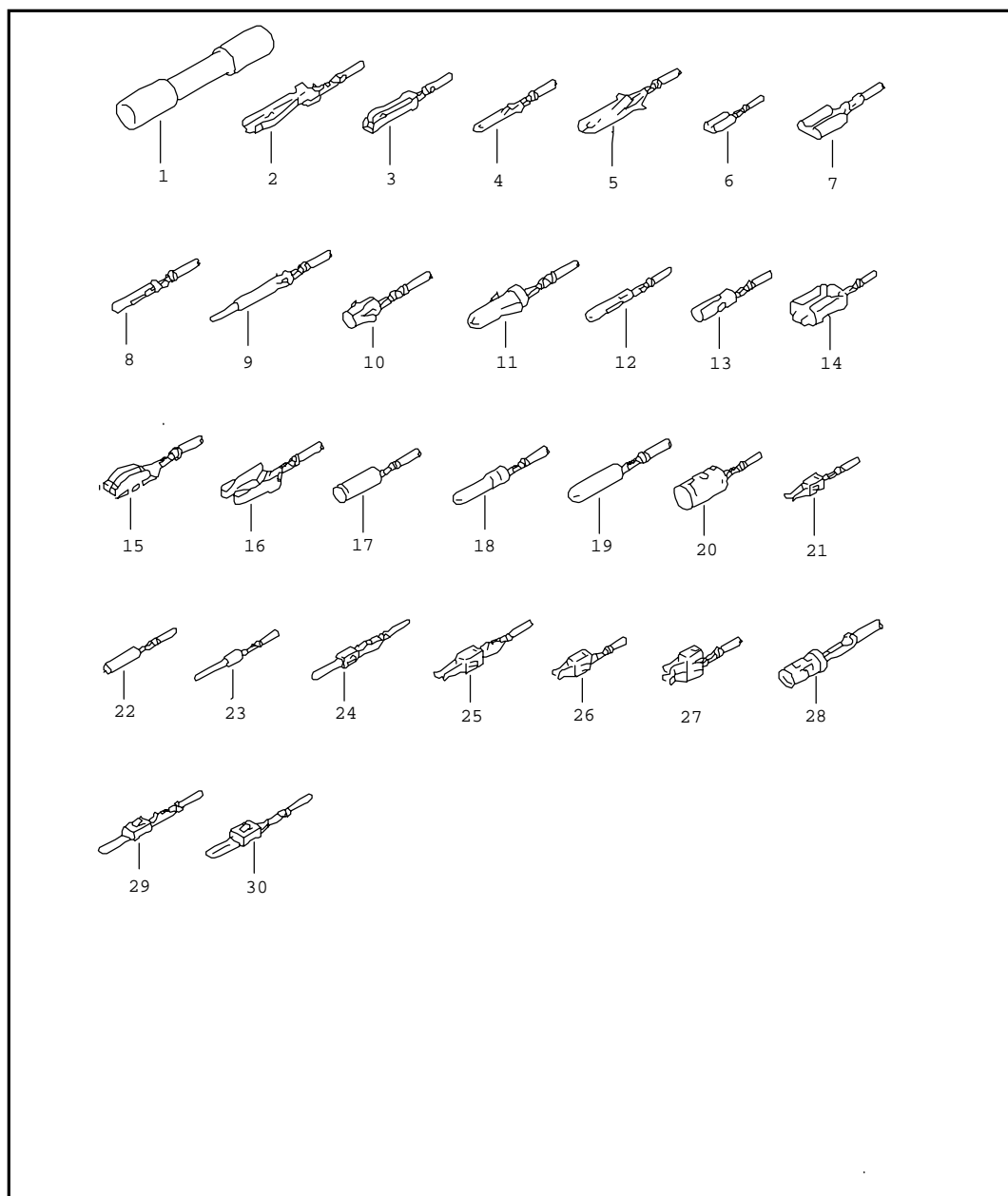


Pos	Part Number	Name	Remarks	Qty	Model
		single wiring	0,5 also use: 111 971 941 A as required use: 000 979 990 see illustration: 974-81 1,0 974-82 2,5 974-83 4,0 974-83 6,0		
-	000 979 990	1 set of shrink fit sleeves can be welded watertight contents of package:	3MM >> 1MM 20 STK	X	
(1)	111 971 940 A	butt connector, watertight, can be welded	0,5-1,0 red	X	
1	111 971 941 A	butt connector, watertight, can be welded	0,35-0,5 yellow	X	
2	000 979 002	1 set of single wires each with 2 contacts, in bag of 5 'order unit 5' flat connector with retaining lug	0,5 0,63	X	
3	000 979 003 A	1 set of single wires each with 2 contacts, in bag of 5 'order unit 5' flat connector with retaining lug	0,5 gold plated 0,63	X	
4	>000 979 004	1 set of single wires each with 2 contacts, in bag of 5 'order unit 5' flat contact bracket	0,5 3,5	X	
5	000 979 006	1 set of single wires each with 2 contacts, in bag of 5 'order unit 5' flat contact	0,5 2,4	X	
-	000 979 007	1 set of single wires each with 2 contacts, in bag of 5 'order unit 5' flat connector with retaining lug	0,5 0,63	X	



Model	Year	MG	SG	Illustration	VIN No.	Update	16:44	18.02.20100		ETKA	
EL	90	9	71	979-30		336					

Pos	Part Number	Name	Remarks	Qty	Model	Pos	Part Number	Name	Remarks	Qty	Model
-	000 979 007 A	1 set of single wires each with 2 contacts, in bag of 5 'order unit 5' flat connector with retaining lug	0,5 gold plated 0,63	X		-	000 979 012	1 set of single wires each with 2 contacts, in bag of 5 'order unit 5' flat connector with retaining lug	0,5 0,63	X	
-	000 979 008	1 set of single wires each with 2 contacts, in bag of 5 'order unit 5' flat connector with retaining lug	0,5 0,63	X		-	000 979 012 A	1 set of single wires each with 2 contacts, in bag of 5 'order unit 5' flat connector with retaining lug	0,5 0,63	X	
-	000 979 008 A	1 set of single wires each with 2 contacts, in bag of 5 'order unit 5' flat connector with retaining lug	0,5 gold plated 0,63	X		-	000 979 013	1 set of single wires each with 2 contacts, in bag of 5 'order unit 5' flat contact	0,5 2,8	X	
-	000 979 009	1 set of single wires each with 2 contacts, in bag of 5 'order unit 5' flat connector with retaining lug	0,5 0,63	X		-	000 979 014 A	1 set of single wires each with 2 contacts, in bag of 5 'order unit 5' flat connector with retaining lug	0,5 0,63	X	
-	000 979 009 A	1 set of single wires each with 2 contacts, in bag of 5 'order unit 5' flat connector with retaining lug	0,5 0,63	X		-	000 979 015	1 set of single wires each with 2 contacts, in bag of 5 'order unit 5' flat connector with retaining lug	0,5 0,63	X	
-	000 979 010	1 set of single wires each with 2 contacts, in bag of 5 'order unit 5' flat connector with retaining lug	0,5 0,63	X		-	000 979 015 A	1 set of single wires each with 2 contacts, in bag of 5 'order unit 5' flat connector with retaining lug	0,5 0,63 gold plated	X	
-	000 979 010 A	1 set of single wires each with 2 contacts, in bag of 5 'order unit 5' flat connector with retaining lug	0,5 0,63	X		-	000 979 016	1 set of single wires each with 2 contacts, in bag of 5 'order unit 5' flat contact	0,35 2,8	X	
-	000 979 011	1 set of single wires each with 2 contacts, in bag of 5 'order unit 5' flat connector with retaining lug	0,5 0,63	X		-	000 979 017	1 set of single wires each with 2 contacts, in bag of 5 'order unit 5' flat connector with retaining lug	0,5 0,63	X	



Model	Year	MG	SG	Illustration	VIN No.	Update	16:44	18.02.20100		ETKA	
EL	90	9	71	979-40		336					





Pos	Part Number	Name	Remarks	Qty	Model
		single wiring	also use: 111 971 940 A as required use: 000 979 990 see illustration: 000 979 991	1,0	
			974-80 0,5 974-82 2,5 974-83 4,0 974-83 6,0		
-	000 979 990	1 set of shrink fit sleeves can be welded watertight contents of package:	3MM >> 1MM 20 STK	X	
-	000 979 991	1 set of shrink fit sleeves can be welded watertight contents of package:	6MM >> 2MM 12 STK	X	
1	111 971 940 A	butt connector, watertight, can be welded	0,5-1,0 red	X	
2	000 979 101	1 set of single wires each with 2 contacts, in bag of 5 'order unit 5' spring contact	1,0 0,5	X	
3	000 979 102	1 set of single wires each with 2 contacts, in bag of 5 'order unit 5' spring contact	1,0 3,0	X	
4	000 979 103	1 set of single wires each with 2 contacts, in bag of 5 'order unit 5' flat connector with retaining lug	1,0 2,8	X	
5	000 979 104	1 set of single wires each with 2 contacts, in bag of 5 'order unit 5' flat connector with retaining lug	1,0 6,3	X	
5	000 979 104	1 set of single wires each with 2 contacts, in bag of 5 'order unit 5' flat connector with retaining lug	1,0 6,3	X	

Model	Year	MG	SG	Illustration	VIN No.	Update	16:44	18.02.20100		ETKA	
EL	90	9	71	979-40		336					



Pos	Part Number	Name	Remarks	Qty	Model	Pos	Part Number	Name	Remarks	Qty	Model
6	000 979 105	1 set of single wires each with 2 contacts, in bag of 5 'order unit 5' flat sleeve	2,8	1,0	X	12	000 979 112	1 set of single wires each with 2 contacts, in bag of 5 'order unit 5' cyl.connector with retain. lug	2,1	1,0	X
7	000 979 106	1 set of single wires each with 2 contacts, in bag of 5 'order unit 5' flat sleeve	2,8	1,0	X	13	000 979 113	1 set of single wires each with 2 contacts, in bag of 5 'order unit 5' cyl.connector with retain. lug	2,1	1,0	X
(7)	000 979 107	1 set of single wires each with 2 contacts, in bag of 5 'order unit 5' flat connector with retaining lug	6,3	1,0	X	14	000 979 114	1 set of single wires each with 2 contacts, in bag of 5 'order unit 5' flat connector with retaining lug	6,3	1,0	X
8	000 979 108	1 set of single wires each with 2 contacts, in bag of 5 'order unit 5' cylindrical connector with retaining lug	1,6	1,0	X	15	000 979 115	1 set of single wires each with 2 contacts, in bag of 5 'order unit 5' flat contact	6,2	1,0	X
9	000 979 109	1 set of single wires each with 2 contacts, in bag of 5 'order unit 5' cyl.connector with retain. lug	1,6	1,0	X	16	000 979 116	1 set of single wires each with 2 contacts, in bag of 5 'order unit 5' spring contact	6,3	1,0	X
10	000 979 110	1 set of single wires each with 2 contacts, in bag of 5 'order unit 5' cylindrical connector with retaining lug	3,5	1,0	X	17	000 979 117	1 set of single wires each with 2 contacts, in bag of 5 'order unit 5' round connector	2,5	1,0	X
10	000 979 110	1 set of single wires each with 2 contacts, in bag of 5 'order unit 5' cylindrical connector with retaining lug	3,5	1,0	X	(17)	000 979 117 A	1 set of single wires each with 2 contacts, in bag of 5 'order unit 5' round connector	gold plated	1,0	X
11	000 979 111	1 set of single wires each with 2 contacts, in bag of 5 'order unit 5' cyl.connector with retain. lug	3,5	1,0	X	18	000 979 118	1 set of single wires each with 2 contacts, in bag of 5 'order unit 5' cyl.connector with retain. lug	2,5	1,0	X
						(18)	000 979 118 A	1 set of single wires each with 2 contacts, in bag of 5 'order unit 5' cyl.connector with retain. lug	gold plated	1,0	X
									2,5		

Model	Year	MG	SG	Illustration	VIN No.	Update	16:44	18.02.20100		ETKA	
EL	90	9	71	979-40		336					



Pos	Part Number	Name	Remarks	Qty	Model	Pos	Part Number	Name	Remarks	Qty	Model
19	000 979 119	1 set of single wires each with 2 contacts, in bag of 5 'order unit 5' round connector	4,0	1,0	X	25	000 979 131	1 set of single wires each with 2 contacts, in bag of 5 'order unit 5' flat contact	1,5	1,0	X
(19)	000 979 119 A	1 set of single wires each with 2 contacts, in bag of 5 'order unit 5' round connector	gold plated	1,0	X	(25)	000 979 131 A	1 set of single wires each with 2 contacts, in bag of 5 'order unit 5' flat contact	gold plated	1,0	X
20	000 979 120	1 set of single wires each with 2 contacts, in bag of 5 'order unit 5' round connector	4,0	1,0	X	(26)	000 979 126	1 set of single wires each with 2 contacts, in bag of 5 'order unit 5' flat contact	2,8	1,0	X
(20)	000 979 120 A	1 set of single wires each with 2 contacts, in bag of 5 'order unit 5' round connector	gold plated	1,0	X	26	000 979 133	1 set of single wires each with 2 contacts, in bag of 5 'order unit 5' flat contact	2,8	1,0	X
21	000 979 121	1 set of single wires each with 2 contacts, in bag of 5 'order unit 5' flat contact	2,4	1,0	X	(26)	000 979 133 A	1 set of single wires each with 2 contacts, in bag of 5 'order unit 5' flat contact	gold plated	1,0	X
22	000 979 122	1 set of single wires each with 2 contacts, in bag of 5 'order unit 5' round connector	1,0	1,0	X	(26)	000 979 133 B	1 set of single wires (high temperature resistant) each with 2 contacts, in bag of 5 'order unit 5' flat contact	2,8	1,0	X
23	000 979 123	1 set of single wires each with 2 contacts, in bag of 5 'order unit 5' round connector	1,0	1,0	X	(26)	000 979 133 AB	1 set of single wires (high temperature resistant) each with 2 contacts, in bag of 5 'order unit 5' flat contact	gold plated	1,0	X
24	000 979 132	1 set of single wires each with 2 contacts, in bag of 5 'order unit 5' flat connector with retaining lug	1,5	1,0	X	(27)	000 979 135	1 set of single wires each with 2 contacts, in bag of 5 'order unit 5' flat contact with retaining lug	4,8	1,0	X
(24)	000 979 132 A	1 set of single wires each with 2 contacts, in bag of 5 'order unit 5' flat connector with retaining lug	gold plated	1,0	X	28	000 979 128	1 set of single wires each with 2 contacts, in bag of 5 'order unit 5' round connector	2,5	1,0	X

Model	Year	MG	SG	Illustration	VIN No.	Update	16:44	18.02.20100		ETKA	
EL	90	9	71	979-40		336					



Pos	Part Number	Name	Remarks	Qty	Model	Pos	Part Number	Name	Remarks	Qty	Model
29	000 979 129	1 set of single wires each with 2 contacts, in bag of 5 'order unit 5' flat connector with retaining lug	2,8	1,0	X	-	000 979 139	1 set of single wires each with 2 contacts, in bag of 5 'order unit 5' cyl.connector with retain. lug	1,6	1,0	X
(29)	000 979 129 A	1 set of single wires each with 2 contacts, in bag of 5 'order unit 5' flat connector with retaining lug	2,8	1,0	X	-	000 979 140	1 set of single wires each with 2 contacts, in bag of 5 'order unit 5' round connector	2,5	1,0	X
(29)	000 979 134	1 set of single wires each with 2 contacts, in bag of 5 'order unit 5' flat connector with retaining lug	2,8	1,0	X	-	000 979 141	1 set of single wires each with 2 contacts, in bag of 5 'order unit 5' round connector	2,8	1,0	X
(29)	000 979 134 A	1 set of single wires each with 2 contacts, in bag of 5 'order unit 5' flat connector with retaining lug	2,8	1,0	X	-	000 979 142	1 set of single wires each with 2 contacts, in bag of 5 'order unit 5' flat contact	2,8	1,0	X
30	000 979 130	1 set of single wires each with 2 contacts, in bag of 5 'order unit 5' flat connector with retaining lug	4,8	1,0	X	-	000 979 143	1 set of single wires each with 2 contacts, in bag of 5 'order unit 5' angled connector	4,8	1,0	X
(30)	000 979 136	1 set of single wires each with 2 contacts, in bag of 5 'order unit 5' flat connector with retaining lug	4,8	1,0	X	-	000 979 144	1 set of single wires each with 2 contacts, in bag of 5 'order unit 5' flat connector with retaining lug	6,3	1,0	X
-	000 979 137	1 set of single wires each with 2 contacts, in bag of 5 'order unit 5' cable shoe	A6,0	1,0	X	-	000 979 145	1 set of single wires each with 2 contacts, in bag of 5 'order unit 5' round connector	2,8	1,0	X
-	000 979 138	1 set of single wires each with 2 contacts, in bag of 5 'order unit 5' flat connector with retaining lug	2,8	1,0	X	-	000 979 146	1 set of single wires each with 2 contacts, in bag of 5 'order unit 5' cyl.connector with retain. lug	2,8	1,0	X
						-	000 979 147	1 set of single wires each with 2 contacts, in bag of 5 'order unit 5' flat connector with retaining lug	5,0	1,0	X

Model	Year	MG	SG	Illustration	VIN No.	Update	16:44	18.02.20100		ETKA	
EL	90	9	71	979-40		336					



Pos	Part Number	Name	Remarks	Qty	Model	Pos	Part Number	Name	Remarks	Qty	Model
-	000 979 148	1 set of single wires each with 2 contacts, in bag of 5 'order unit 5' round connector	1,0	X							
			1,6								
-	000 979 149	1 set of single wires each with 2 contacts, in bag of 5 'order unit 5' round connector	1,0	X							
			1,6								

Model	Year	MG	SG	Illustration	VIN No.	Update	16:48	18.02.20100		ETKA	
EL	90	9	71	979-50		336					



Pos	Part Number	Name	Remarks	Qty	Model
		single wiring	2,5 also use: 111 971 939 B as required use: 000 979 991 see illustration: 974-80 0,5 974-81 1,0 974-83 4,0 974-83 6,0		
-	000 979 991	1 set of shrink fit sleeves can be welded watertight contents of package:	6MM >> 2MM 12 STK	X	
1	111 971 939 B	butt connector, watertight, can be welded	1,5-2,5 blue	X	
2	000 979 201	1 set of single wires each with 2 contacts, in bag of 5 'order unit 5' cyl.connector with retain. lug	2,5	X	
3	000 979 202	1 set of single wires each with 2 contacts, in bag of 5 'order unit 5' spring contact	2,5	X	
4	000 979 203	1 set of single wires each with 2 contacts, in bag of 5 'order unit 5' flat connector	2,5 6,3	X	
5	000 979 204	1 set of single wires each with 2 contacts, in bag of 5 'order unit 5' flat connector with retaining lug	2,5 6,3	X	
6	000 979 205	1 set of single wires each with 2 contacts, in bag of 5 'order unit 5' angled connector	2,5 7,7	X	
6	000 979 205	1 set of single wires each with 2 contacts, in bag of 5 'order unit 5' angled connector	2,5 7,7	X	

Model	Year	MG	SG	Illustration	VIN No.	Update	16:48	18.02.20100		ETKA	
EL	90	9	71	979-50		336					



Pos	Part Number	Name	Remarks	Qty	Model	Pos	Part Number	Name	Remarks	Qty	Model
7	000 979 206	1 set of single wires each with 2 contacts, in bag of 5 'order unit 5' flat connector with retaining lug	2,5 7,7	X		(14)	000 979 213 A	1 set of single wires each with 2 contacts, in bag of 5 'order unit 5' round connector	2,5 gold plated 2,5	X	
8	000 979 207	1 set of single wires each with 2 contacts, in bag of 5 'order unit 5' angled connector	2,5 6,3	X		15	000 979 214	1 set of single wires each with 2 contacts, in bag of 5 'order unit 5' round connector	2,5 4,0	X	
9	000 979 208	1 set of single wires each with 2 contacts, in bag of 5 'order unit 5' cylindrical connector with retaining lug	2,5 1,6	X		16	000 979 215	1 set of single wires each with 2 contacts, in bag of 5 'order unit 5' cyl.connector with retain. lug	2,5 2,5	X	
10	000 979 209	1 set of single wires each with 2 contacts, in bag of 5 'order unit 5' cyl.connector with retain. lug	2,5 1,6	X		(16)	000 979 215 A	1 set of single wires each with 2 contacts, in bag of 5 'order unit 5' cyl.connector with retain. lug	2,5 gold plated 2,5	X	
11	000 979 210	1 set of single wires each with 2 contacts, in bag of 5 'order unit 5' cyl.connector with retain. lug	2,5 3,5	X		17	000 979 216	1 set of single wires each with 2 contacts, in bag of 5 'order unit 5' round connector	2,5 4,0	X	
12	000 979 211	1 set of single wires each with 2 contacts, in bag of 5 'order unit 5' cylindrical connector with retaining lug	2,5 3,5	X		18	000 979 217	1 set of single wires each with 2 contacts, in bag of 5 'order unit 5' flat contact	2,5 3,5	X	
13	000 979 212	1 set of single wires each with 2 contacts, in bag of 5 'order unit 5' flat connector with retaining lug	2,5 6,3	X		(18)	000 979 225	1 set of single wires each with 2 contacts, in bag of 5 'order unit 5' flat contact	2,5 2,8	X	
14	000 979 213	1 set of single wires each with 2 contacts, in bag of 5 'order unit 5' round connector	2,5 2,5	X		(18)	000 979 225 A	1 set of single wires each with 2 contacts, in bag of 5 'order unit 5' flat contact	2,5 gold plated 2,8	X	
						19	000 979 227	1 set of single wires each with 2 contacts, in bag of 5 'order unit 5' flat contact with retaining lug	2,5 4,8	X	

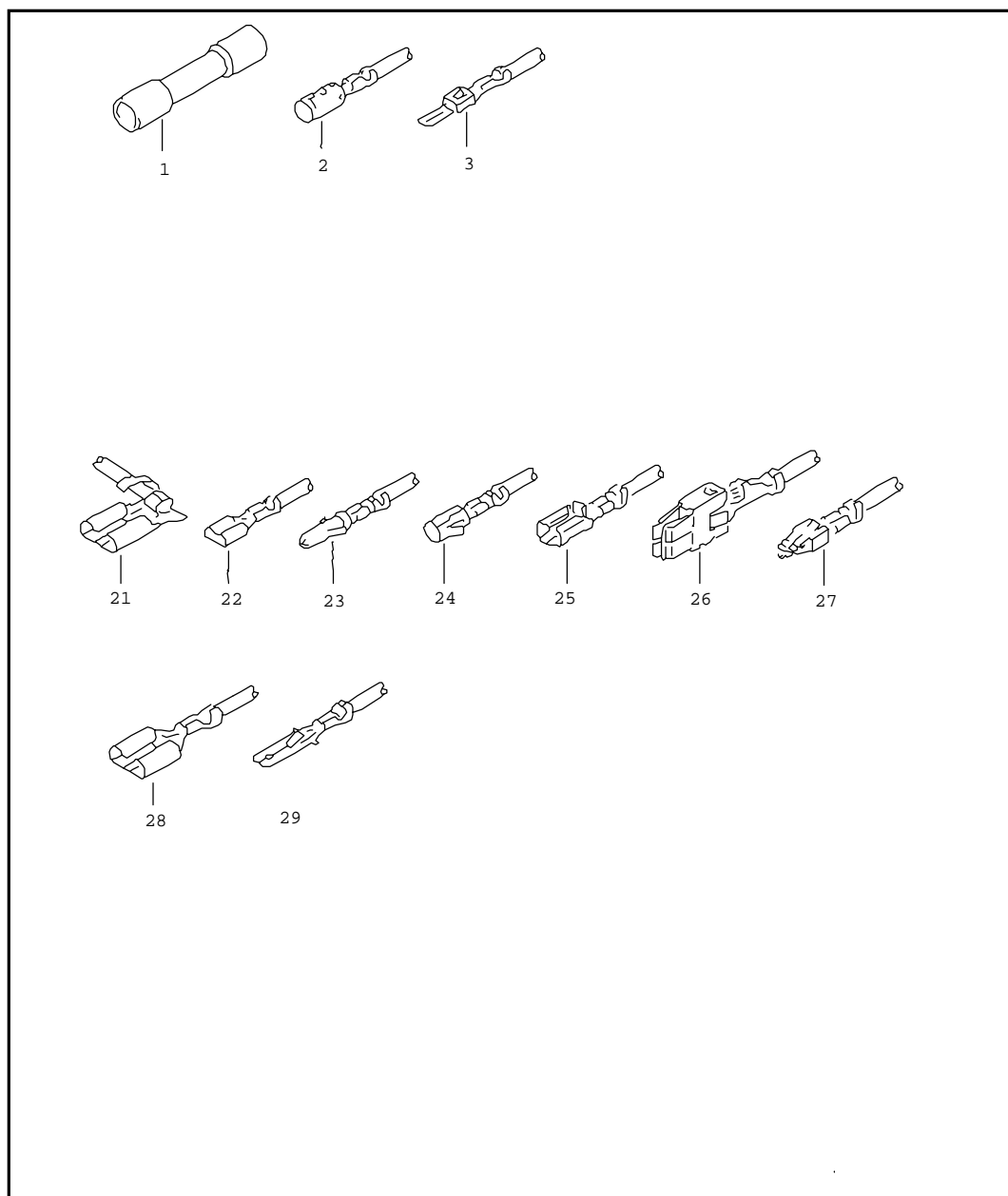
Model	Year	MG	SG	Illustration	VIN No.	Update	16:48	18.02.20100		ETKA	
EL	90	9	71	979-50		336					

Pos	Part Number	Name	Remarks	Qty	Model	Pos	Part Number	Name	Remarks	Qty	Model
20	000 979 219	1 set of single wires each with 2 contacts, in bag of 5 'order unit 5' flat connector with retaining lug	2,5 2,8	X		(23)	000 979 224	1 set of single wires each with 2 contacts, in bag of 5 'order unit 5' flat connector with retaining lug	2,5 9,5	X	
(20)	000 979 226	1 set of single wires each with 2 contacts, in bag of 5 'order unit 5' flat connector with retaining lug	2,5 2,8	X		24	000 979 223	1 set of single wires each with 2 contacts, in bag of 5 'order unit 5' flat contact	1,5 2,4	X	
(20)	000 979 226 A	1 set of single wires each with 2 contacts, in bag of 5 'order unit 5' flat connector with retaining lug	2,5 gold plated 2,8	X		24	000 979 223	1 set of single wires each with 2 contacts, in bag of 5 'order unit 5' flat contact	1,5 2,4	X	
(20)	000 979 226 A	1 set of single wires each with 2 contacts, in bag of 5 'order unit 5' flat connector with retaining lug	2,5 gold plated 2,8	X		-	000 979 230	1 set of single wires each with 2 contacts, in bag of 5 'order unit 5' cable shoe	2,5 A6,0	X	
21	000 979 220	1 set of single wires each with 2 contacts, in bag of 5 'order unit 5' flat contact	2,5 4,8	X		-	000 979 231	1 set of single wires each with 2 contacts, in bag of 5 'order unit 5' flat connector with retaining lug	2,5 4,8	X	
(21)	000 979 228	1 set of single wires each with 2 contacts, in bag of 5 'order unit 5' flat connector with retaining lug	2,5 4,8	X		-	000 979 232	1 set of single wires each with 2 contacts, in bag of 5 'order unit 5' flat connector with retaining lug	1,5 4,8	X	
22	000 979 221	1 set of single wires each with 2 contacts, in bag of 5 'order unit 5' round connector	2,5 2,5	X		-	000 979 233	1 set of single wires each with 2 contacts, in bag of 5 'order unit 5' flat connector with retaining lug	2,5 2,8	X	
23	000 979 222	1 set of single wires each with 2 contacts, in bag of 5 'order unit 5' flat connector with retaining lug	2,5 6,3	X		-	000 979 234	1 set of single wires each with 2 contacts, in bag of 5 'order unit 5' cylindrical connector with retaining lug	2,5 1,6	X	



Model	Year	MG	SG	Illustration	VIN No.	Update	16:48	18.02.20100		ETKA	
EL	90	9	71	979-50		336					

Pos	Part Number	Name	Remarks	Qty	Model	Pos	Part Number	Name	Remarks	Qty	Model
-	000 979 235	1 set of single wires each with 2 contacts, in bag of 5 'order unit 5' round connector	2,5 4,0	X							
-	000 979 235	1 set of single wires each with 2 contacts, in bag of 5 'order unit 5' round connector	2,5 4,0	X							
-	000 979 236	1 set of single wires each with 2 contacts, in bag of 5 'order unit 5' flat connector with retaining lug	2,5 6,3	X							
-	000 979 237	1 set of single wires each with 2 contacts, in bag of 5 'order unit 5' flat contact	2,5 2,8	X							
-	000 979 238	1 set of single wires each with 2 contacts, in bag of 5 'order unit 5' round connector	2,5 2,8	X							
-	000 979 239	1 set of single wires each with 2 contacts, in bag of 5 'order unit 5' cyl.connector with retain. lug	2,5 2,8	X							
-	000 979 240	1 set of single wires each with 2 contacts, in bag of 5 'order unit 5' round connector	2,5 1,6	X							
-	000 979 241	1 set of single wires each with 2 contacts, in bag of 5 'order unit 5' round connector	2,5 1,6	X							

Model	Year	MG	SG	Illustration	VIN No.	Update	16:49	18.02.20100		ETKA	
EL	90	9	71	979-60		336					



Pos	Part Number	Name	Remarks	Qty	Model
		single wiring	4,0 also use: 111 971 938 A as required use: 000 979 992 see illustration: 974-80 0,5 974-81 1,0 974-82 1,5		
-	000 979 992	1 set of shrink fit sleeves can be welded watertight contents of package:	12MM >> 4MM 8 STK	X	
1	111 971 938 A	butt connector, watertight, can be welded	4,0-6,0 yellow	X	
2	000 979 301	1 set of single wires each with 2 contacts, in bag of 4 'order unit 4' round connector	4,0	X	
3	000 979 302	1 set of single wires each with 2 contacts, in bag of 4 'order unit 4' flat contact	4,0 4,8	X	
4	000 979 303	1 set of single wires each with 2 contacts, in bag of 4 'order unit 4' flat contact	4,0 4,8	X	
(23)	000 979 304	1 set of single wires each with 2 contacts, in bag of 4 'order unit 4' cyl.connector with retain. lug	4,0 3,5	X	
(24)	000 979 305	1 set of single wires each with 2 contacts, in bag of 4 'order unit 4' cylindrical connector with retaining lug	4,0 3,5	X	
(27)	000 979 306	1 set of single wires each with 2 contacts, in bag of 5 'order unit 5' flat contact with retaining lug	4,0 4,8	X	

Model	Year	MG	SG	Illustration	VIN No.	Update	16:49	18.02.20100		ETKA	
EL	90	9	71	979-60		336					

Pos	Part Number	Name	Remarks	Qty	Model	Pos	Part Number	Name	Remarks	Qty	Model
(3)	000 979 307	1 set of single wires each with 2 contacts, in bag of 5 'order unit 5' flat connector with retaining lug	4,0	X		29	000 979 409	1 set of single wires each with 2 contacts, in bag of 3 'order unit 3' flat connector with retaining lug	6,0	X	
		single wiring	4,8			-	000 979 410	1 set of single wires each with 2 contacts, in bag of 5 'order unit 5' cable shoe	6,0	X	
		also use: 111 971 938 A	6,0			-	000 979 411	1 set of single wires each with 2 contacts, in bag of 3 'order unit 3' flat contact	6,0	X	
		see illustration: 974-80 0,5				-	000 979 412	1 set of single wires each with 2 contacts, in bag of 3 'order unit 3' flat contact	6,0	X	
		974-81 1,0				-	000 979 413	1 set of single wires each with 2 contacts, in bag of 3 'order unit 3' cable shoe (screw connection) stop	6,0	X	
		974-82 1,5				-	000 979 414	1 set of single wires each with 2 contacts, in bag of 3 'order unit 3' cable shoe (screw connection) stop	6,0	X	
1	111 971 938 A	butt connector, watertight, can be welded	4,0-6,0 yellow	X		-	000 979 415	1 set of single wires each with 2 contacts, in bag of 3 'order unit 3' cable shoe (screw connection)	6,0	X	
22	000 979 402	1 set of single wires each with 2 contacts, in bag of 3 'order unit 3' flat connector with retaining lug	6,0	X							
			6,3								
23	--- --- ---	discontinued / replacement:	000 979 304								
25	000 979 405	1 set of single wires each with 2 contacts, in bag of 3 'order unit 3' flat connector with retaining lug	6,0	X							
			6,3								
26	000 979 406	1 set of single wires each with 2 contacts, in bag of 3 'order unit 3' flat contact	6,0	X							
			9,5								
27	000 979 407	1 set of single wires each with 2 contacts, in bag of 3 'order unit 3' flat contact with retaining lug	6,0	X							
			6,3								
28	000 979 408	1 set of single wires each with 2 contacts, in bag of 3 'order unit 3' flat connector with retaining lug	6,0	X							
			9,5								