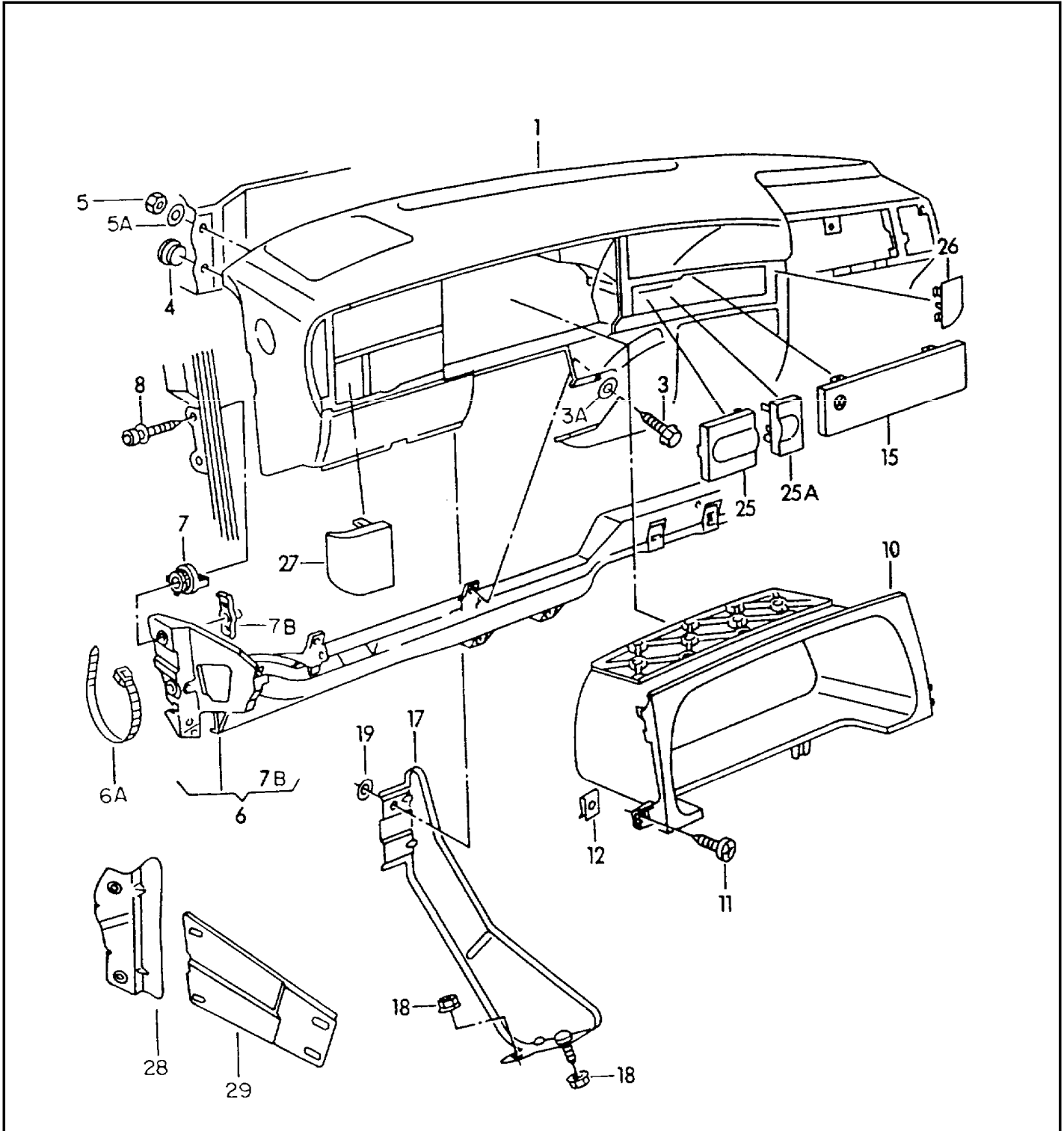




# ETKA

Model	Year	MG	SG	Illustration	Restrictions	UPD	16:05	06.07.2006
JEM	1996	8	57	857-00		618		





# ETKA

Model	Year	MG	SG	Illustration	Restrictions	UPD	16:05	06.07.2006
JEM	1996	8	57	857-00		618		

Pos	Part Number	Name	Remarks	Qty	Model
		dashboard dashboard installation parts F 1H-R-025 322>>			GOLF JETTA
(1)	1HM 857 003 M	dashboard, padded		1	
		also use:	1H1 857 101 (B41)	1	
			1H5 857 122 (A35)	1	
			1H1 819 705 (01C)	1	
			1H1 819 706 A (01C)	1	
	08/93-07/96A35	black			
	08/93-07/96Q05	beaver			
1	1HM 857 003 A	dashboard, padded		1	
	04/92-07/93A35	black			
	04/92-05/93H45	mauritius blue			"CDN"
	04/92-07/93Q05	beaver			
3	N 010 296 2	screw, hex. hd.	M5X18	8	
(3)	N 010 264 4	screw, hex. hd.	M5X20	1	
3A	+ N 011 665 3	washer	5,3X15X1,6	8	
4	N 020 025 1	plug	A12X1	1	
5	+ N 011 006 24	hex. nut	M6	3	
5A	+ N 011 666 15	washer	6,4X18X1,6	3	
(6)	1HM 857 011 A	cross member for dashbord for vehicles with airbag F >> 1H-S-010 892		1	
(6)	1HM 857 011 C	cross member for dashbord for vehicles with airbag F 1H-S-010 893>> 1H-T-096 220		1	
(6)	1HM 857 011 E	cross member for dashbord for vehicles with airbag F 1H-T-096 221>>		1	
L(6)	1H1 857 011 A	cross member for dashbord F >> 1H-S-068 073		1	



# ETKA

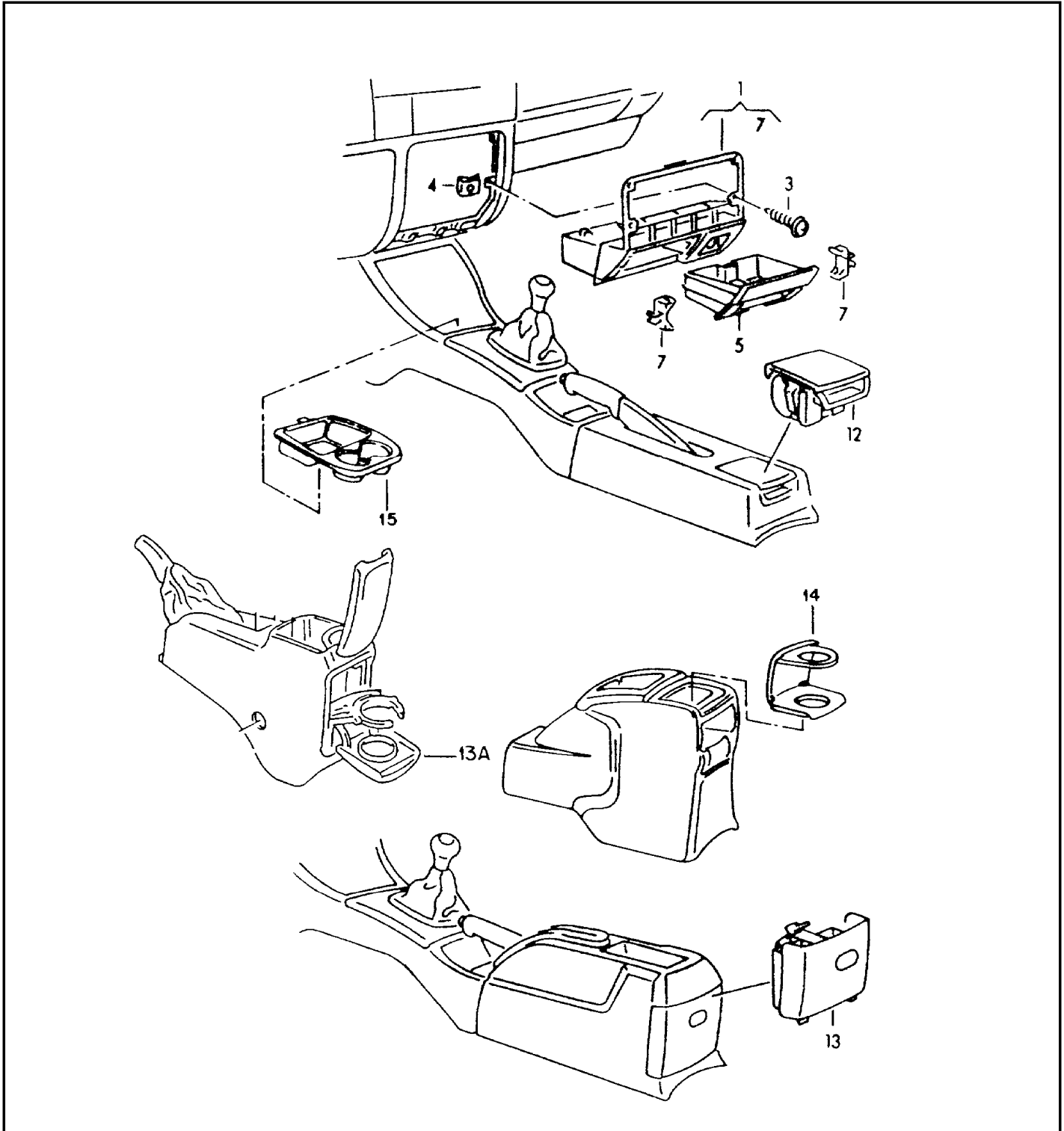
Model	Year	MG	SG	Illustration	Restrictions	UPD	16:05	06.07.2006
JEM	1996	8	57	857-00		618		

Pos	Part Number	Name	Remarks	Qty	Model
(6)	1H1 857 011 Q	cross member for dashbord F 1H-S-068 074>>		1	
		also use:	1H0 972 559 A	1	
7	1H0 857 049	adjustment part		4	
7B	1H0 857 047	threaded plate		4	
8	N 905 509 01	bolt, with hex. socket hd. (combi.)	EM8X50	4	
10	1H6 857 059 B	trim F 1H-R-025 322>>		1	
	04/92-07/9601C	satin black			
11	+ N 902 412 03	fillister hd. screw	M4GFX20.0	2	
12	+ N 904 190 02	speed nut	M4X15X17,5	2	
15	1H0 857 231 A	trim for radio opening			
	12/95-07/9601C	satin black			
17	1H1 858 017	support	upper	1	
(17)	1HM 858 017 B	support for vehicles with airbag	upper	1	
18	+ N 901 752 03	shouldered hex. nut	M6	2	
19	803 955 637	sealing washer F 1H-P-040 325>>			
20	1H0 819 090 B	gasket		1	
25		see illustration:	819-30		
25A		see illustration:	819-30		
26		see illustration:	819-30		
27		see illustration:	819-30		
28	1H0 858 311 A	retaining clamp		1	
29	1HM 858 315 B	support	lower	1	



# ETKA

Model	Year	MG	SG	Illustration	Restrictions	UPD	16:11	06.07.2006
JEM	1996	8	57	857-30		618		





# ETKA

Model	Year	MG	SG	Illustration	Restrictions	UPD	16:11	06.07.2006
JEM	1996	8	57	857-30		618		

Pos	Part Number	Name	Remarks	Qty	Model
		ashtray			
(1)	1H1 857 305 D	switch bracket with housing for ashtray		1	
3	04/92-07/9601C	satın black		1	
2	1H1 858 981 B	cap with symbol for diagnosis plug		1	
	09/93-07/9601C	satın black			
3	+ N 902 412 03	fillister hd. screw	M4GFX20.0	2	
4	+ N 904 190 02	speed nut	M4X15X17,5	2	
5	1H1 857 309	ashtray		1	
	04/92-07/9601C	satın black			
7	1H0 857 327	guide piece		4	
12	1HM 857 962	ashtray	rear only for: 1HM 863 319	1	"USA"
	09/92-12/93B41	satın black			
	09/92-05/93F31	mauritius blue			"CDN"
	09/92-12/93T21	beaver			
(12)	1HM 857 962 A	ashtray	rear only for: 1HM 863 319 B	1	
	01/94-07/96B41	satın black			
	01/94-07/96T21	beaver			
13	1H0 857 962 A	ashtray for vehicles with centre console with shelf	rear only for: 1H0 863 319 A	1	"CDN"
	09/92-12/93B41	satın black			
	09/92-05/93F31	mauritius blue			
	09/92-12/93T21	beaver			
13	1H0 857 962 A	ashtray	rear only for: 1H0 863 319 A	1	
	10/93-12/93B41	satın black			



# ETKA

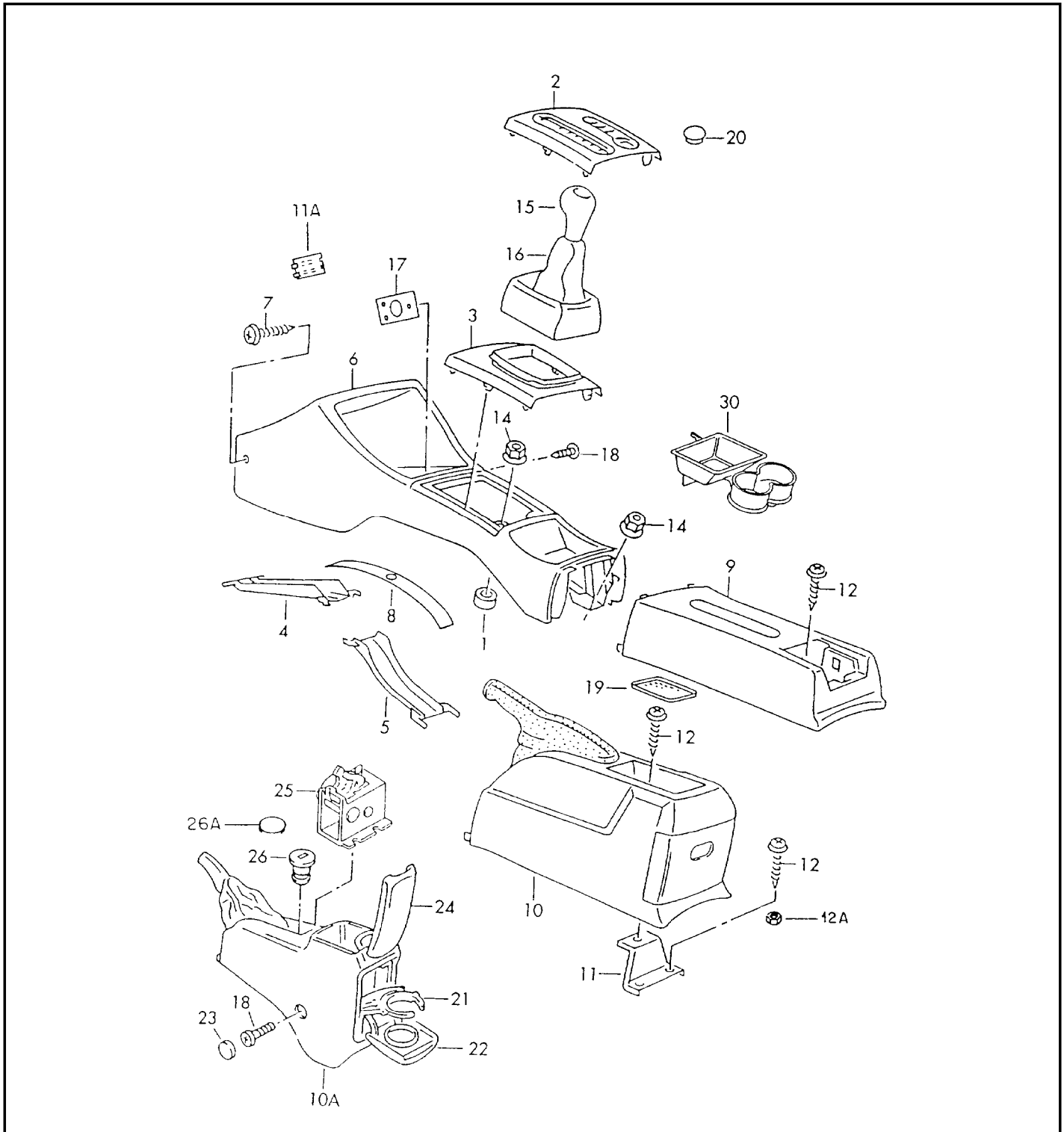
Model	Year	MG	SG	Illustration	Restrictions	UPD	16:11	06.07.2006
JEM	1996	8	57	857-30		618		

Pos	Part Number	Name	Remarks	Qty	Model
13A	10/93-12/93T21	beaver			
	1HM 862 543	cover for cupholder for vehicles with airbag		1	
14	01/94-07/96B41	satin black			
	1HM 862 533 B	cup holder	rear	1	"USA": GOLF GL, JETTA GL
	09/92-07/96B41	satin black			
15	05/92-05/93F31	mauritius blue			
	09/92-07/96T21	beaver			
	1EM 862 533	cup holder for vehicles with airbag	front	1	
	05/92-07/96B41	satin black			



# ETKA

Model	Year	MG	SG	Illustration	Restrictions	UPD	16:12	06.07.2006
JEM	1996	8	63	863-60		618		





# ETKA

Model	Year	MG	SG	Illustration	Restrictions	UPD	16:12	06.07.2006
JEM	1996	8	63	863-60		618		

Pos	Part Number	Name	Remarks	Qty	Model
		center console cover for selector mechanism			
1	357 864 133 A	spacer sleeve		2	
2	1H1 863 209	trim for shift mechanism for vehicles with rotary knob		1	automatic
	04/92-04/93B41	satin black			
	04/92-04/93F31	mauritius (blue)			"CDN"
	04/92-04/93T21	beaver			
(2)	1H1 863 209 C	trim for shift mechanism		1	automatic
	01/93-07/96B41	satin black			
	01/93-05/93F31	mauritius (blue)			"CDN"
	01/93-07/96T21	beaver			
3	1H0 863 216	trim for shift mechanism		1	manual transmission
	04/92-05/93F31	mauritius (blue)			"CDN"
(3)	1H0 863 209	trim for shift mechanism		1	manual transmission diesel eng.
	04/92-05/93F31	mauritius (blue)			
	04/92-02/93T21	beaver			
	04/92-02/93B41	satin black			
(3)	1HM 863 209	trim for shift mechanism		1	manual transmission
	03/93-05/93F31	mauritius blue			"CDN"
	03/93-08/93T21	beaver			
4	1HM 864 221	guide F >> 1H-P-012 600*	front	1	automatic
(4)	1H0 863 221 A	guide for cover strip F 1H-P-012 601>>*	front	1	automatic
5	1H0 864 223	guide for cover strip	rear	1	automatic





# ETKA

Model	Year	MG	SG	Illustration	Restrictions	UPD	16:12	06.07.2006
JEM	1996	8	63	863-60		618		

Pos	Part Number	Name	Remarks	Qty	Model
(6)	1HM 863 243 A	center console F >> 1H-R-012 658	front	1	
	09/92-07/93B41	satın black			
	09/92-05/93F31	mauritius (blue)			"CDN"
	09/92-07/93T21	beaver			
(6)	1HM 863 243 B	center console for vehicles with airbag F 1H-R-012 659>>	front	1	
	08/93-07/96B41	satın black			
	08/93-07/96T21	beaver			
7	+ N 013 968 1	tapping screw, fill. hd.	ST4,8X13-C	2	
8	1H0 863 277 A	cover strip		1	automatic
	04/92-07/96B41	satın black			
10	1H0 863 319 A	centre console with shelf	rear	1	"CDN"
	09/92-12/93B41	satın black			
	09/92-05/93F31	mauritius (blue)			
	09/92-12/93T21	beaver			
10	1H0 863 319 A	centre console with shelf for vehicles with airbag	rear	1	"USA"
	10/93-12/93B41	satın black			
	10/93-12/93T21	beaver			
(10A)	1HM 863 319	center console	rear	1	"USA"
	09/92-09/93B41	satın black			
	09/92-09/93T21	beaver			
(10A)	1HM 863 315	center console vinyl for vehicles with airbag	rear	X	
	01/94-07/96SX7	satın black			
(10A)	1HM 863 315 B	center console	rear	1	GOLF CITY; JETTA CITY



# ETKA

Model	Year	MG	SG	Illustration	Restrictions	UPD	16:12	06.07.2006
JEM	1996	8	63	863-60		618		

Pos	Part Number	Name	Remarks	Qty	Model
	01/95-07/96SX7	kenya black			
	01/95-07/96SX8	beaver			
10A	1HM 863 319 B	center console for vehicles with airbag	rear	1	
	01/94-07/96T21	beaver			
	01/94-07/96B41	satin black			
(11)	1HM 864 139	retaining clamp for vehicles with airbag		1	
11	1H0 864 139	retaining clamp		1	
12	+ N 902 412 03	fillister hd. screw	M4GFX20.0	X	
(12)	N 904 484 01	fillister hd. screw	M4GFX15.0	6	
14	+ 171 201 969	shouldered hex. nut	5	3	
15/16		see illustration:	711-22 711-24		
17	1H0 863 350	retaining plate center console		1	
18	+ N 902 412 03	fillister hd. screw	M4GFX20.0	X	
19	1H0 863 328 A	insert	ELASTOMER	1	
	04/92-07/96B41	satin black			
21	1HM 862 533 D	cup holder for vehicles with airbag	rear	1	
	01/94-07/96B41	satin black			
22	1HM 862 543	cover for cupholder		1	
	01/94-07/96B41	satin black			
	01/94-07/96T21	beaver			
23	3A0 864 137	cap for screw		2	
	01/94-07/96B41	satin black			
	01/94-07/96T21	beaver			
24	1HM 864 571	cover for center console	rear	1	



# ETKA

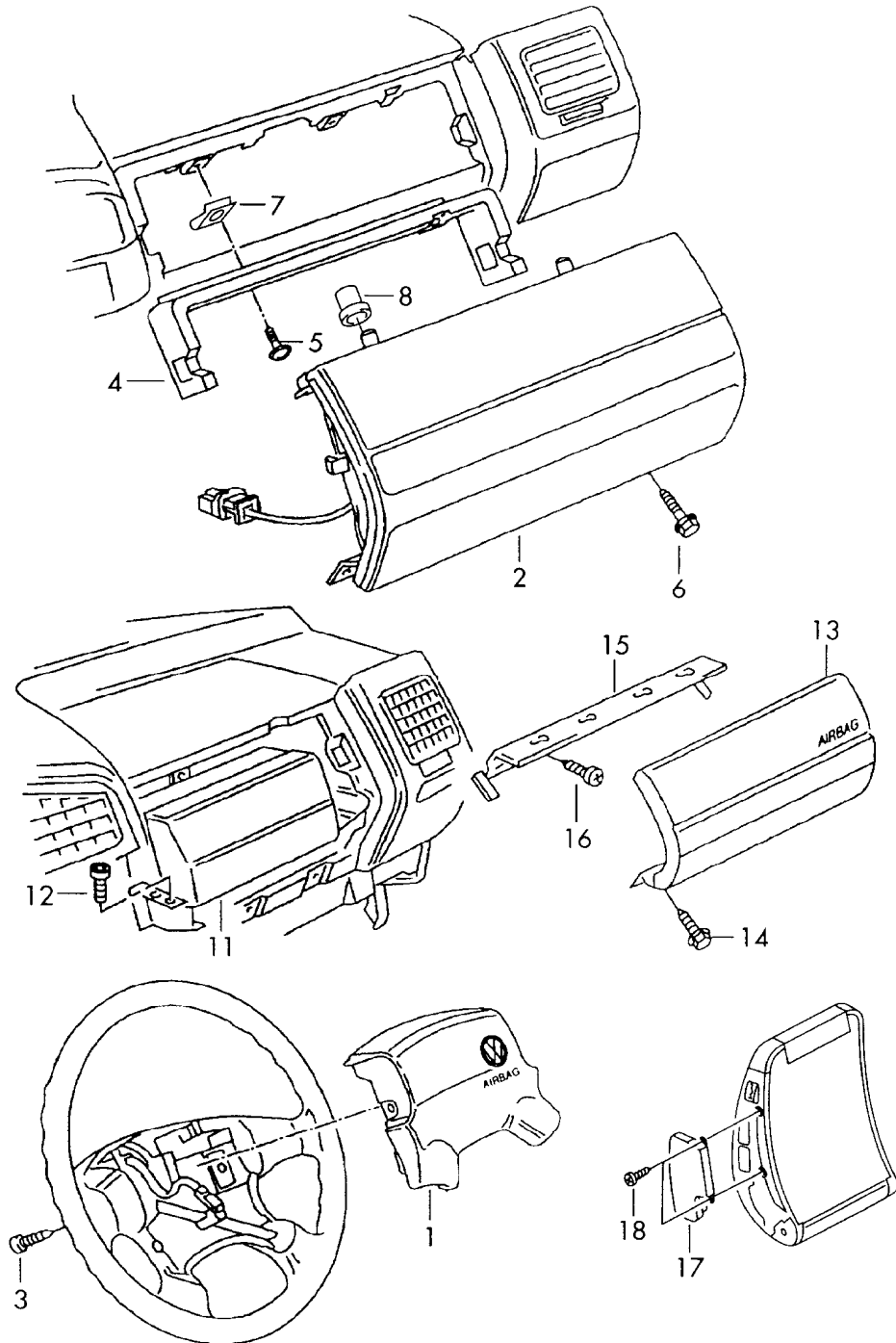
Model	Year	MG	SG	Illustration	Restrictions	UPD	16:12	06.07.2006
JEM	1996	8	63	863-60		618		

Pos	Part Number	Name	Remarks	Qty	Model
	01/94-07/96B41	satin black			
	01/94-07/96T21	beaver			
25	1HM 864 579	catch		1	
26	1H0 857 113	lock cylinder		1	



# ETKA

Model	Year	MG	SG	Illustration	Restrictions	UPD	16:12	06.07.2006
JEM	1996	8	80	880-10		618		





# ETKA

Model	Year	MG	SG	Illustration	Restrictions	UPD	16:12	06.07.2006
JEM	1996	8	80	880-10		618		

Pos	Part Number	Name	Remarks	Qty	Model
		airbag ** caution dangerous cargo ** see workshop manual			
-	357 971 419	adapter wiring harness ignition wire		1	
-	f 1H0 898 203	install.kit for airbag (drivers side) comprising: airbag unit for steering wheel steering wheel F >> 1H-T-012 635* also use:	000 010 227 C	1 1 1 1	
-	f 1H0 898 203 A	install.kit for airbag (drivers side) comprising: airbag unit for steering wheel steering wheel (leather) F >> 1H-T-012 635 also use:	000 010 227 C	1 1 1 1	
(1)	1H0 880 199	airbag unit (drivers side) ** only order for ** ** immediate installation ** F 1H-T-012 636>>*		1	
	f 03/96-07/9601C	satin black			
3	N 906 148 01	socket hd. screw with collar	M6X21,5	2	
11	f 1HM 880 204	airbag unit (passenger side) ** only order for ** ** immediate installation ** F >> 1H-T-096 220		1	
(11)	1H0 880 204 B	airbag unit (passenger side) ** only order for ** ** immediate installation ** F 1H-T-096 221>> 1H-T-999 000		1	
-	1HM 880 721	clamp		2	
12	N 014 701 8	bolt, with hex. socket hd.	M6X12MK	4	



# ETKA

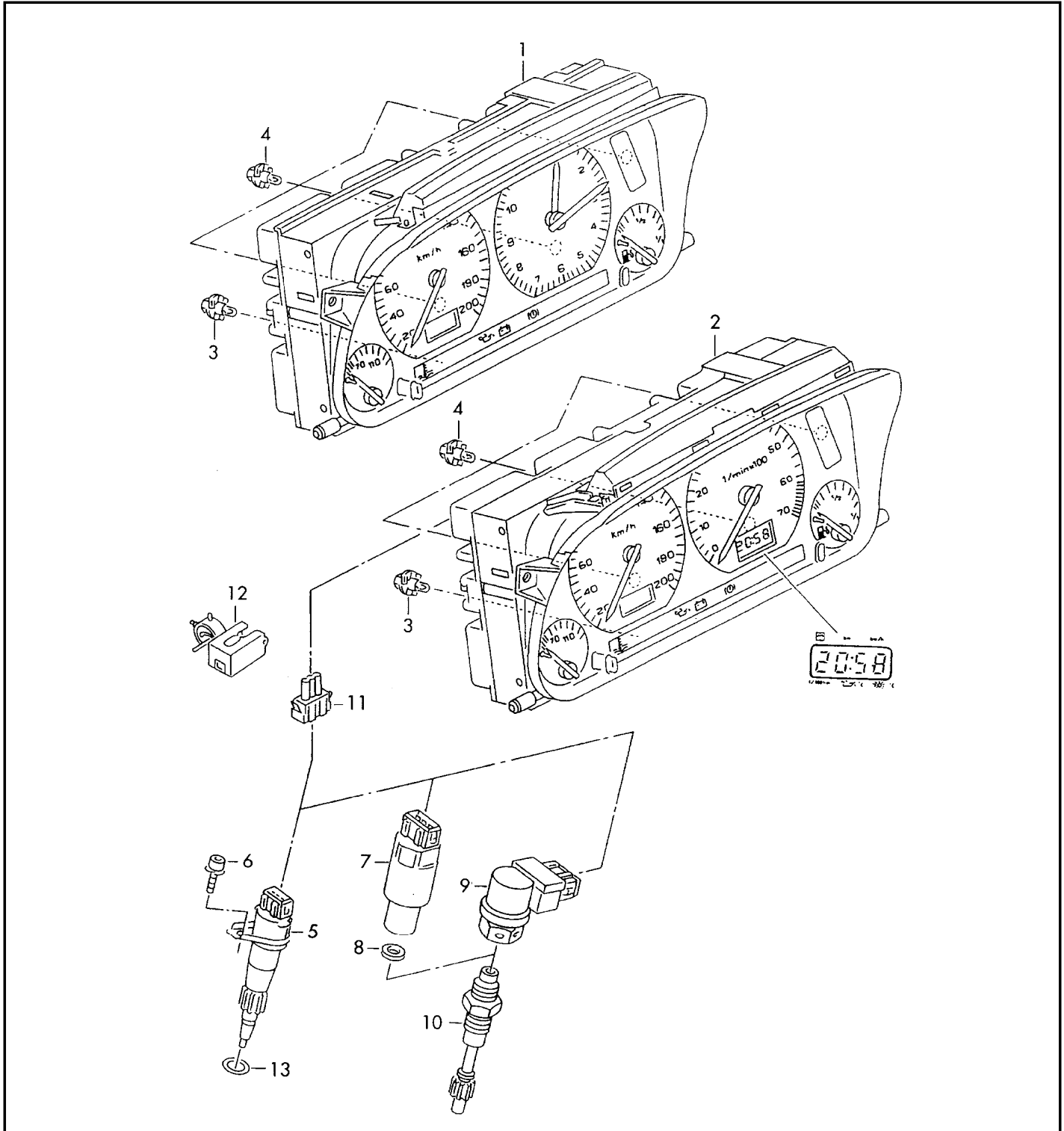
Model	Year	MG	SG	Illustration	Restrictions	UPD	16:12	06.07.2006
JEM	1996	8	80	880-10		618		

Pos	Part Number	Name	Remarks	Qty	Model
-	1HM 880 890	glove box knee bar F 1H-T-096 221>>	right	1	
	03/96-07/96A35	black			
	03/96-07/96Q05	beaver			
-	1H1 857 147	operating mechanism F 1H-T-096 221>>		1	
	03/96-07/96B41	satın black			
	03/96-07/96T21	beaver			
-	1H0 857 113	lock cylinder		1	
13	1HM 880 261 F	cover for airbag		1	
	09/92-07/96A35	black			
	09/92-07/96Q05	beaver			
14	N 905 234 02	bolt, hex. hd. (combi.)	M5X19	3	
15	1HM 880 216	retaining frame for vehicles with airbag (passenger side)		1	
-	811 857 991 B	felt strip		4	
-	321 860 279	felt strip		1	
16	+ N 902 412 03	fillister hd. screw	M4GFX20.0	2	



# ETKA

Model	Year	MG	SG	Illustration	Restrictions	UPD	16:13	06.07.2006
JEM	1996	9	19	919-00		618		





# ETKA

Model	Year	MG	SG	Illustration	Restrictions	UPD	16:13	06.07.2006
JEM	1996	9	19	919-00		618		

Pos	Part Number	Name	Remarks	Qty	Model
		instrument cluster for vehicles with analog clock F >> 1H-S-012 882			"CDN"+AAZ, ACC
(1)	1HM 919 033 AF	instrument cluster		1	"CDN"+ACC
(1)	1HM 919 033 AG	instrument cluster		1	automatic+ ACC
(1)	1HM 919 033 AM	instrument cluster		1	ACC
(1)	1HM 919 033 BE	instrument cluster F 1H-P-021 221>>*		1	automatic+ AAZ
(1)	1HM 919 033 N	instrument cluster F >> 1H-P-021 220*		1	AAZ
(1)	1HM 919 033 BD	instrument cluster F 1H-P-021 221>>*		1	AAZ
		instrument cluster for vehicles with revolution counter			ABA,AAZ,ACC,
(2)	1HM 919 033 BA	instrument cluster F 1H-P-021 221>> 1H-S-012 882		1	automatic+ ABA
(2)	1HM 919 033 D	instrument cluster F >> 1H-P-021 220*		1	"CDN"+ABA, ACC
(2)	1HM 919 033 AT	instrument cluster F 1H-P-021 221>> 1H-S-012 882		1	"CDN"+ABA, ACC
(2)	1HM 919 860 S	instrument cluster F 1H-S-012 883>> 1H-T-066 002		1	"CDN"+ automatic+ ABA,ACC
(2)	1HM 919 860 M	instrument cluster F 1H-T-066 003>>		1	"CDN"+ automatic+ ABA,ACC





# ETKA

Model	Year	MG	SG	Illustration	Restrictions	UPD	16:13	06.07.2006
JEM	1996	9	19	919-00		618		

Pos	Part Number	Name	Remarks	Qty	Model
(2)	1HM 919 861 A	instrument cluster F 1H-T-070 450>>*	220KM	1	"CDN"+ automatic+ JETTA GL TREK
(2)	1HM 919 860 R	instrument cluster F 1H-S-013 316>> 1H-T-066 002		1	"CDN"+ ABA,ACC
(2)	1HM 919 860 L	instrument cluster F 1H-T-066 003>>		1	"CDN"+ ABA,ACC
(2)	1HM 919 861	instrument cluster F 1H-T-070 450>>*	220KMH	1	"CDN"+ JETTA GL TREK; GOLF HARLEKIN
(2)	1HM 919 860 H	instrument cluster F 1H-S-012 883>> 1H-S-999 000		1	"CDN"+AAZ
(2)	1HM 919 860 Q	instrument cluster F 1H-T-000 001>> 1H-T-065 929		1	"CDN"+AAZ
(2)	1HM 919 860 K	instrument cluster F 1H-T-065 930>>		1	"CDN"+AAZ
(2)	1HM 919 860 T	instrument cluster	200KMH	1	"CDN"+1Z
(2)	1HM 919 860 P	instrument cluster	200KMH	1	"CDN"+ automatic+ 1Z
(2)	1HM 919 035 A	instrument cluster F >> 1H-S-012 882		1	"USA"+ automatic+ ABA
(2)	1HM 919 910 A	instrument cluster F 1H-S-012 883>> 1H-S-999 000		1	"USA"+ automatic+ ABA
(2)	1HM 919 910 J	instrument cluster F 1H-T-000 001>> 1H-T-070 449*		1	"USA"+ automatic+ ABA
(2)	1HM 919 910 E	instrument cluster F 1H-T-070 450>>*		1	"USA"+ automatic+ ABA



# ETKA

Model	Year	MG	SG	Illustration	Restrictions	UPD	16:13	06.07.2006
JEM	1996	9	19	919-00		618		

Pos	Part Number	Name	Remarks	Qty	Model
(2)	1HM 919 910 N	instrument cluster F 1H-T-070 450>>*	140MPH	1	"USA"+ automatic+ JETTA GL TREK
(2)	1HM 919 035 D	instrument cluster F >> 1H-S-012 882		1	"USA"+ABA
(2)	1HM 919 910 H	instrument cluster F 1H-S-012 883>> 1H-T-070 184		1	"USA"+ABA
(2)	1HM 919 910 M	instrument cluster F 1H-T-070 450>>*	140MPH	1	"USA"+ JETTA GL TREK; GOLF HARLEKIN
(2)	1HM 919 910 D	instrument cluster F 1H-T-070 185>>		1	"USA"+ABA
(2)	1HM 919 910 F	instrument cluster		1	"USA"+1Z
(2)	1HM 919 910 G	instrument cluster		1	"USA"+ automatic+ 1Z
		instrument cluster for vehicles with multi function indicator			VR6+AAA
(2)	1HM 919 033 B	instrument cluster F >> 1H-P-021 220*		1	"CDN"+ automatic
(2)	1HM 919 033 BC	instrument cluster F 1H-P-021 221>> 1H-S-012 882		1	"CDN"+ automatic
(2)	1HM 919 880 A	instrument cluster F 1H-S-012 883>> 1H-S-087 773		1	"CDN"+ automatic
(2)	1HM 919 880 L	instrument cluster F 1H-S-087 774>> 1H-T-070 449*		1	"CDN"+ automatic
(2)	1HM 919 880 J	instrument cluster F 1H-T-070 450>>*		1	"CDN"+ automatic



# ETKA

Model	Year	MG	SG	Illustration	Restrictions	UPD	16:13	06.07.2006
JEM	1996	9	19	919-00		618		

Pos	Part Number	Name	Remarks	Qty	Model
(2)	1HM 919 033 E	instrument cluster F >> 1H-P-021 220*		1	"CDN"
(2)	1HM 919 033 BB	instrument cluster F 1H-P-021 221>> 1H-S-012 882		1	"CDN"
(2)	1HM 919 880	instrument cluster F 1H-S-000 001>> 1H-S-033 994 F 1H-S-012 883>> 1H-S-091 678		1 1	"CDN"
(2)	1HM 919 880 F	instrument cluster F 1H-S-091 679>> 1H-S-999 000		1	"CDN"
(2)	1HM 919 880 K	instrument cluster F 1H-T-000 001>> 1H-T-070 449*		1	"CDN"
(2)	1HM 919 880 H	instrument cluster F 1H-T-070 450>>*		1	"CDN"
(2)	1HM 919 035 B	instrument cluster F >> 1H-S-012 882		1	"USA"+ automatic
(2)	1HM 919 035 F	instrument cluster F >> 1H-S-012 882		1	"USA"
(2)	1HM 919 930	instrument cluster F 1H-S-012 883>> 1H-S-086 615		1	"USA"
(2)	1HM 919 930 H	instrument cluster F 1H-S-086 616>> 1H-T-060 951		1	"USA"
(2)	1HM 919 930 F	instrument cluster F 1H-T-060 952>>		1	"USA"
(2)	1HM 919 930 A	instrument cluster F 1H-S-012 883>> 1H-S-087 773		1	"USA"+ automatic
(2)	1HM 919 930 J	instrument cluster F 1H-S-087 774>> 1H-T-070 449*		1	"USA"+ automatic
(2)	1HM 919 930 G	instrument cluster F 1H-T-070 450>>*		1	"USA"+ automatic
		bulb for warning lamps for instrument lighting			



# ETKA

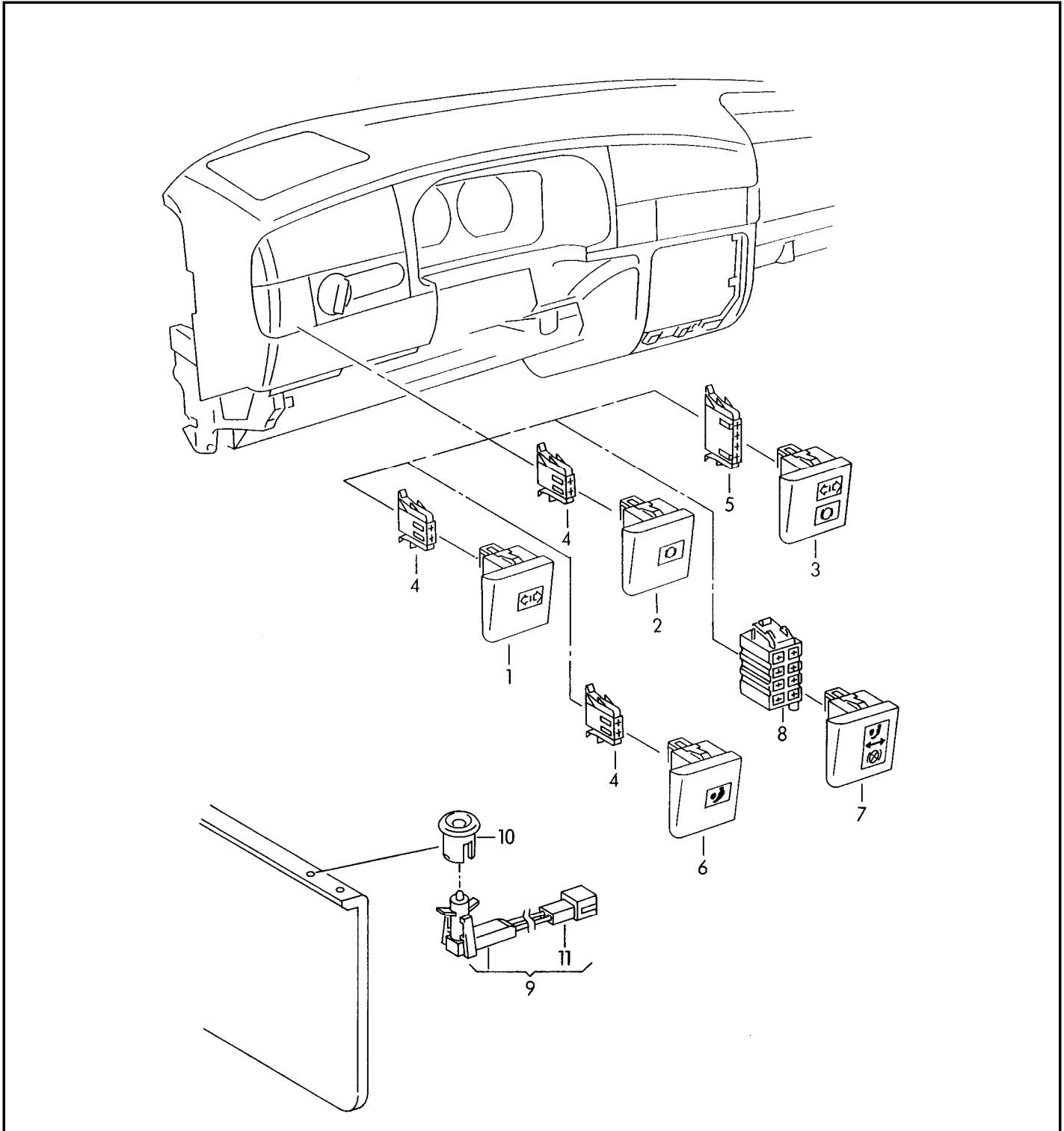
Model	Year	MG	SG	Illustration	Restrictions	UPD	16:13	06.07.2006
JEM	1996	9	19	919-00		618		

Pos	Part Number	Name	Remarks	Qty	Model
(3)	+ 4A0 919 040 C	bulb for instrument lighting and for warning lamps	12V 1,1W clear glass	X	
4	+ 893 919 040 A	bulb for instrument lighting	12V2W	X	
5	1H0 919 149 A	vehicle speed sensor	3 pin	1	AAZ,ABA,ACC
3	191 957 861	gasket		1	AAZ,ABA,ACC
6	c N 090 173 3	fill. hd. screw (combi.)	M7X1,25X13Z3	1	AAZ,ABA,ACC
7	357 919 149	vehicle speed sensor for 4 speed automatic transm.	3 pin	1	ABA,ACC
8	871 957 825	sealing washer	9,6/16MM	1	
(9)	191 919 149 D	vehicle speed sensor	3 pin	1	
-		pinion-speedometer see illustration:	409-25		
11	357 972 753	flat contact housing	3 pin	1	
12	701 957 845	retainer, swivelling with cap for seal	24MM	1	



# ETKA

Model	Year	MG	SG	Illustration	Restrictions	UPD	16:14	06.07.2006
JEM	1996	9	19	919-85		618		





# ETKA

Model	Year	MG	SG	Illustration	Restrictions	UPD	16:14	06.07.2006
JEM	1996	9	19	919-85		618		

Pos	Part Number	Name	Remarks	Qty	Model
		warning lights trim for fresh air and heater controls retaining strip			
(2)	1H1 919 235 A	warning lamp for anti-locking brake system (abs) F 1H-S-013 734>> 1H-S-086 615		1	"CDN"
(2)	1HM 919 235 J	warning lamp for anti-locking brake system (abs) F 1H-S-086 616>> F 1H-T-070 450>>		1 1	"CDN" "USA"
4	1J0 972 702	flat contact housing	2 pin	1	
5	1J0 972 704	flat contact housing	4 pin	1	
6	1H1 919 235 G	warning lamp for airbag with/without trailer towing F 1H-R-012 659>> 1H-S-087 773	6 pin	1	
7	1HM 919 235 A	warning light for airbag and antilocking brake system (abs) F 1H-R-012 659>> 1H-S-087 773 F 1H-R-012 659>> 1H-S-013 315		1 1	"USA" "CDN"
(7)	1HM 919 235 K	warning light for airbag and antilocking brake system (abs) F 1H-S-087 774>> 1H-T-070 449*		1	
(7)	1H1 919 235 G	warning lamp for airbag and/ or anti-locking brake syst. and/or trailer towing F 1H-S-013 316>> 1H-S-087 773		1	"CDN"
(8)	191 972 706	flat contact housing	6 pin	1	
(8)	535 972 707	flat contact housing	7 pin	1	
9	1HM 919 238	warning lamp anti-theft alarm system F >> 1H-P-004 604*		2	
(9)	1HM 919 236	warning lamp for anti-theft alarm system door trim panel F 1H-P-004 605>>	driver's door	1	



# ETKA

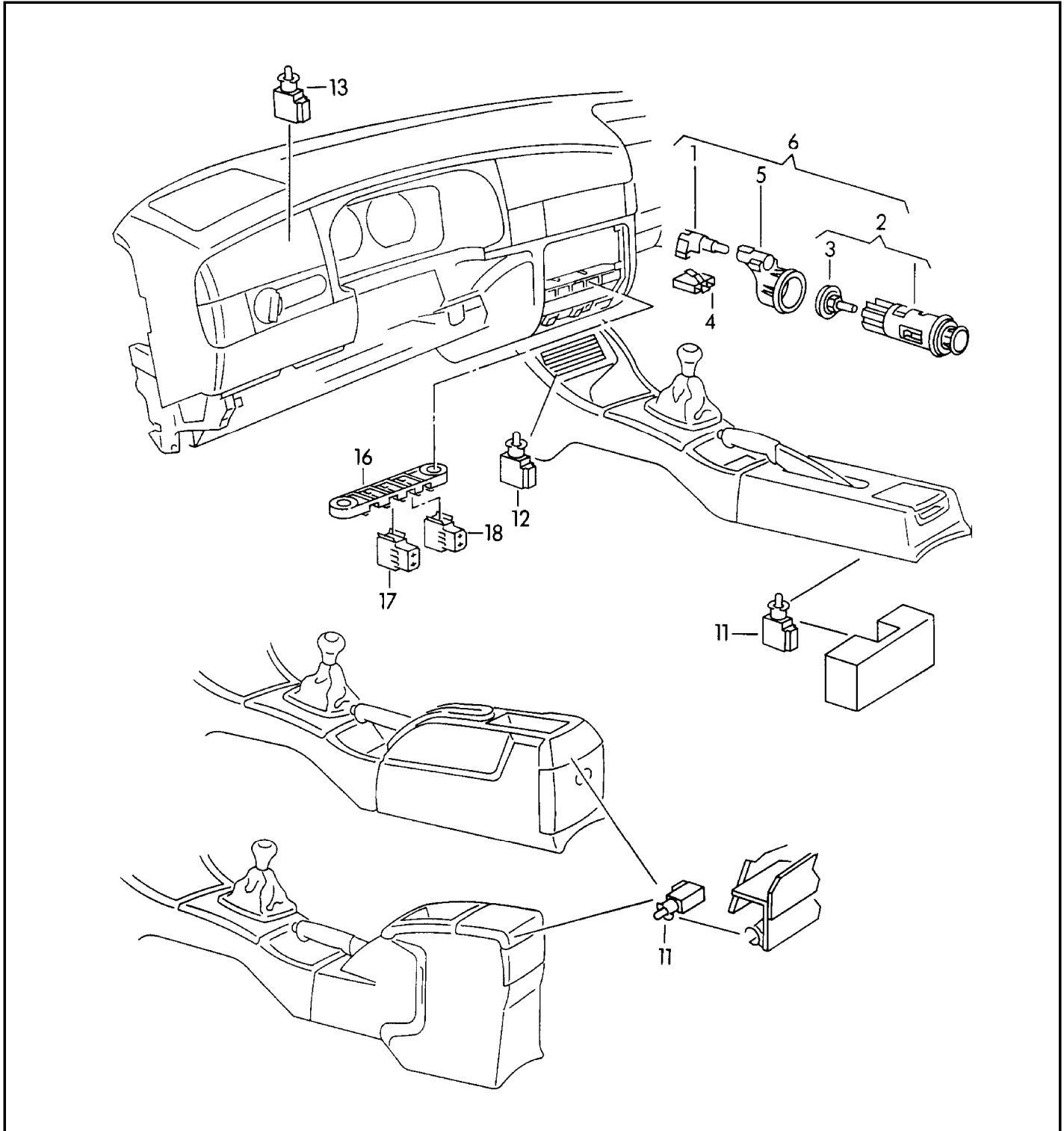
Model	Year	MG	SG	Illustration	Restrictions	UPD	16:14	06.07.2006
JEM	1996	9	19	919-85		618		

Pos	Part Number	Name	Remarks	Qty	Model
10	1H0 919 242	guide sleeve for warning lamps anti-theft alarm system door trim panel F 1H-P-004 605>>*	driver's door	1	
	01/93-07/9601C	satin black			
11	1J0 973 332	flat contact housing	2 pin	1	



# ETKA

Model	Year	MG	SG	Illustration	Restrictions	UPD	16:14	06.07.2006
JEM	1996	9	19	919-90		618		







# ETKA

Model	Year	MG	SG	Illustration	Restrictions	UPD	16:14	06.07.2006
JEM	1996	9	19	919-90		618		

Pos	Part Number	Name	Remarks	Qty	Model
		cigarette lighter bulb holder with bulb			
1	+ 6K0 919 243	bulb holder with bulb		1	
2	* 191 919 305 B	cigarette lighter		1	
3	803 919 317	element for cigarette lighter		1	
4	* 191 919 321	flat contact housing cigarette lighter		1	
(5)	1H0 919 343	retaining sleeve for cigarette lighter		1	
		also use:	6K0 919 243	1	
6	1J0 919 307	cigarette lighter	SCHOELLER	X	
		also use:	1J0 919 309	1	
			1E0 919 341 B	1	
11	357 919 243 A	bulb holder with bulb F >> 1H-P-999 000	green	X	JETTA
	04/92-07/96K25	green			
(11)	357 919 243 D	bulb holder with bulb F 1H-R-000 001>>	clear glass	X	
	04/92-07/9685H	clear glass			
(11)	+ 6K0 919 243	bulb holder with bulb		1	
		also use:	1H0 919 343 C	1	
(13)	+ N 017 751 2	bulb	W5/1,2W12V1,2W	X	
		retaining strip for diagnosis plug			
16	443 972 559	retaining strip for diagnosis plug F >> 1H-P-002 315		1	
(16)	1H0 972 559	diagnose connector strip F 1H-P-002 316>> 1H-P-044 500		1	
(16)	1H0 972 559 A	diagnose connector strip F 1H-P-044 501>> 1H-T-070 449*		1	
(16)	3A0 972 559	diagnose connector strip F 1H-T-070 450>>*		1	



# ETKA

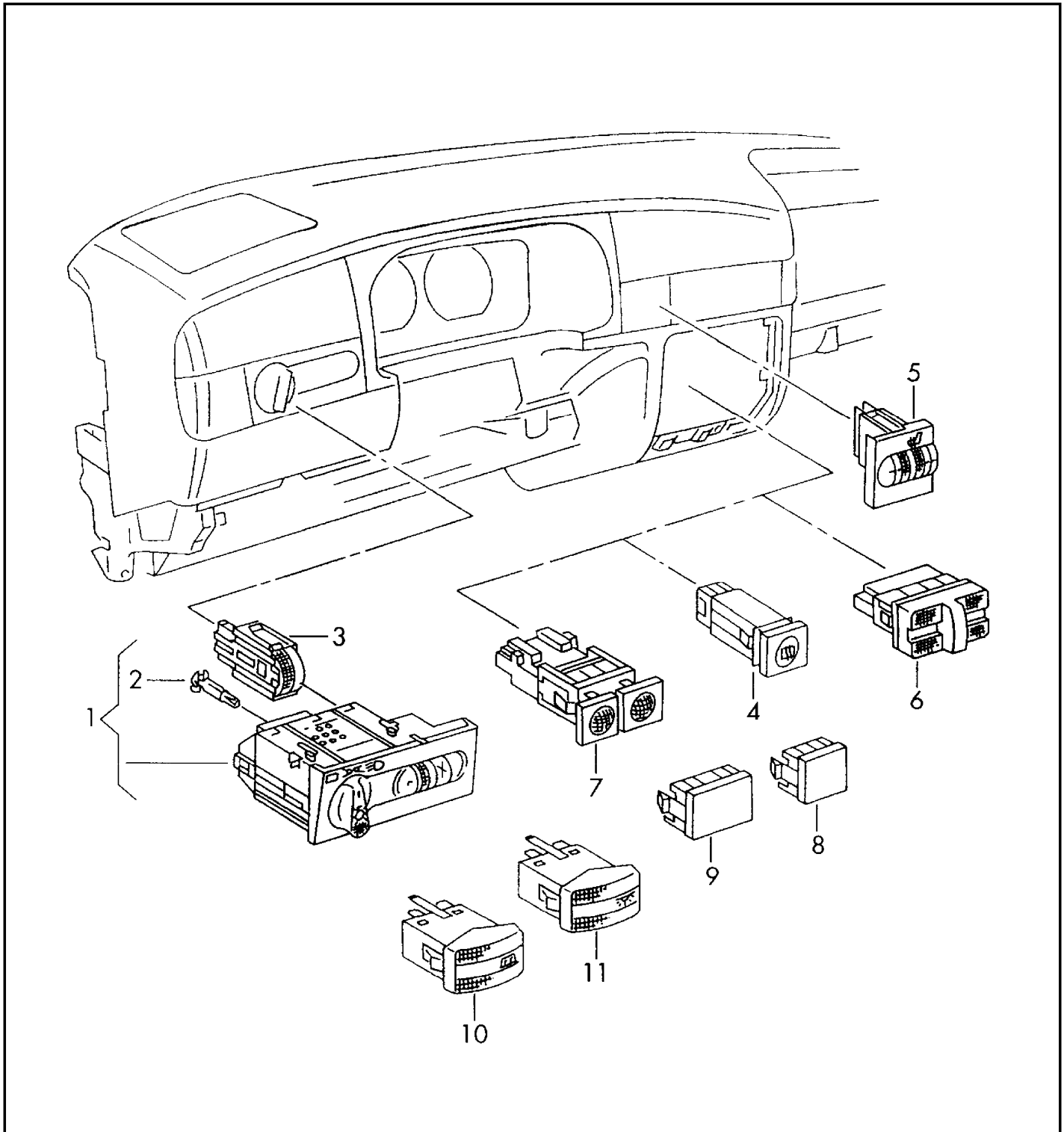
Model	Year	MG	SG	Illustration	Restrictions	UPD	16:14	06.07.2006
JEM	1996	9	19	919-90		618		

Pos	Part Number	Name	Remarks	Qty	Model
17	443 972 577 E	flat contact housing	2 pin white	1	
18	443 972 580	flat contact housing	2 pin black	X	



# ETKA

Model	Year	MG	SG	Illustration	Restrictions	UPD	16:15	06.07.2006
JEM	1996	9	41	941-85		618		





# ETKA

Model	Year	MG	SG	Illustration	Restrictions	UPD	16:15	06.07.2006
JEM	1996	9	41	941-85		618		

Pos	Part Number	Name	Remarks	Qty	Model
		switch for lighting			
(1)	1HM 941 531 L	multiple switch f.side lights, headlights and fog lights F 1H-R-025 322>> 1H-S-012 882		1	"USA"+JETTA GLS, GLX
		F >> 1H-S-012 882		1	"USA"+GOLF LIMITED EDIT.
	09/92-07/9601C	satin black			
(1)	1HM 941 531 R	multiple switch f.side lights, headlights and fog lights for vehicles with day driving headlights		1	
	09/92-07/9601C	satin black			
(1)	1H5 941 531 B	multiple switch for side lights, headlights, front and rear fog lights F >> 1H-R-025 321		1	"USA"+JETTA GL
	04/92-08/9301C	satin black			
(1)	1H5 941 531 AG	multiple switch for side lights, headlights, front and rear fog lights for vehicles with day driving headlights F >> 1H-R-035 676*		1	
	09/92-08/9301C	satin black			
(2)	1H0 919 243 A	bulb holder with bulb		1	
		switches in dashboard			
(4)	1H0 959 621 B	switch for heated rear window		1	
	02/96-07/9601C	satin black			
5	1H6 963 563 A	switch for seat heating (driver and passenger side) F 1H-R-025 322>>		1	GOLF
				1	JETTA
	09/92-07/9601C	satin black			



# ETKA

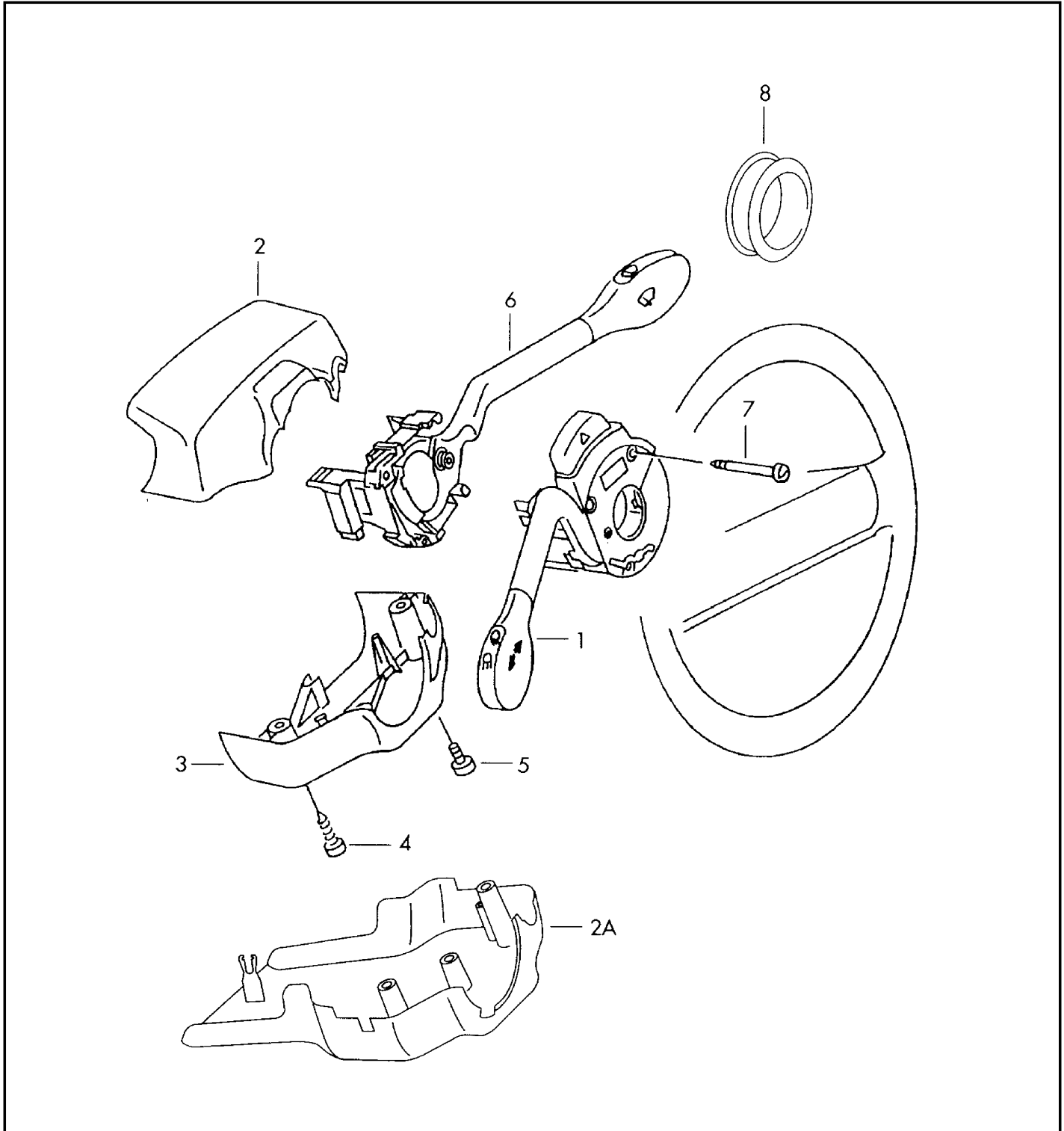
Model	Year	MG	SG	Illustration	Restrictions	UPD	16:15	06.07.2006
JEM	1996	9	41	941-85		618		

Pos	Part Number	Name	Remarks	Qty	Model
(5)	1H5 963 563 A	switch for seat heating (driver and passenger side) F >> 1H-R-025 321		1	JETTA GLS, GLX
	09/92-08/9301C	satın black			
6	1H0 959 855 A	switch for electric windows	4-door	1	JETTA
	04/92-07/9601C	satın black			
7	1H6 959 543	switch for air conditioner		1	
	04/92-08/9301C	satın black			
(7)	1H0 959 543	switch for air conditioner		1	
	09/93-07/9601C	satın black			
8	1H0 858 179	blind cover	inner	X	
	04/92-07/9601C	satın black			
9	1H0 858 180	blind cover	outer	X	
	04/92-07/9601C	satın black			
(10)	1HM 962 125 A	safety switch for central locking system F 1H-T-000 133>>		1	



# ETKA

Model	Year	MG	SG	Illustration	Restrictions	UPD	16:15	06.07.2006
JEM	1996	9	53	953-30		618		





# ETKA

Model	Year	MG	SG	Illustration	Restrictions	UPD	16:15	06.07.2006
JEM	1996	9	53	953-30		618		

Pos	Part Number	Name	Remarks	Qty	Model
(1)	1H0 953 513 C	switch for turn signals, high and low beams, headlight flasher, wipers and wash-wipe operation		1	
	04/92-07/9601C	switch for turn signals, high and low beams, headlamp flasher and parking light satin black			
(1)	1H0 953 513 D	switch for turn signals, high and low beams, headlamp flasher and parking light for vehicles with cruise control system for height-adjustable steering column		1	
	04/92-07/9601C	satin black			
(2)	1H0 953 515 F	trim, upper part		1	
	02/95-07/9601C	satin black			
(2)	1H0 953 515 G	trim, upper part for height-adjustable steering column		1	
		also use:	>>1H-S 066798		
			1H0 953 516 P (01C)	1	
	04/92-07/9601C	satin black			
(3)	1H0 953 516 P	trim, lower part for height-adjustable steering column for vehicles with airbag		1	
		also use:	rework >>1H-S-066798		
			1H0 953 515 G (01C)	1	
	04/92-07/9601C	satin black			
(3)	1H0 953 516 M	trim, lower part		1	
	02/95-07/9601C	satin black		1	
4	+ N 903 494 01	tapping screw, fill. hd.	E3,9X16	2	
5	+ N 014 122 8	fillister hd. screw	M4.0X8.0	1	



# ETKA

Model	Year	MG	SG	Illustration	Restrictions	UPD	16:15	06.07.2006
JEM	1996	9	53	953-30		618		

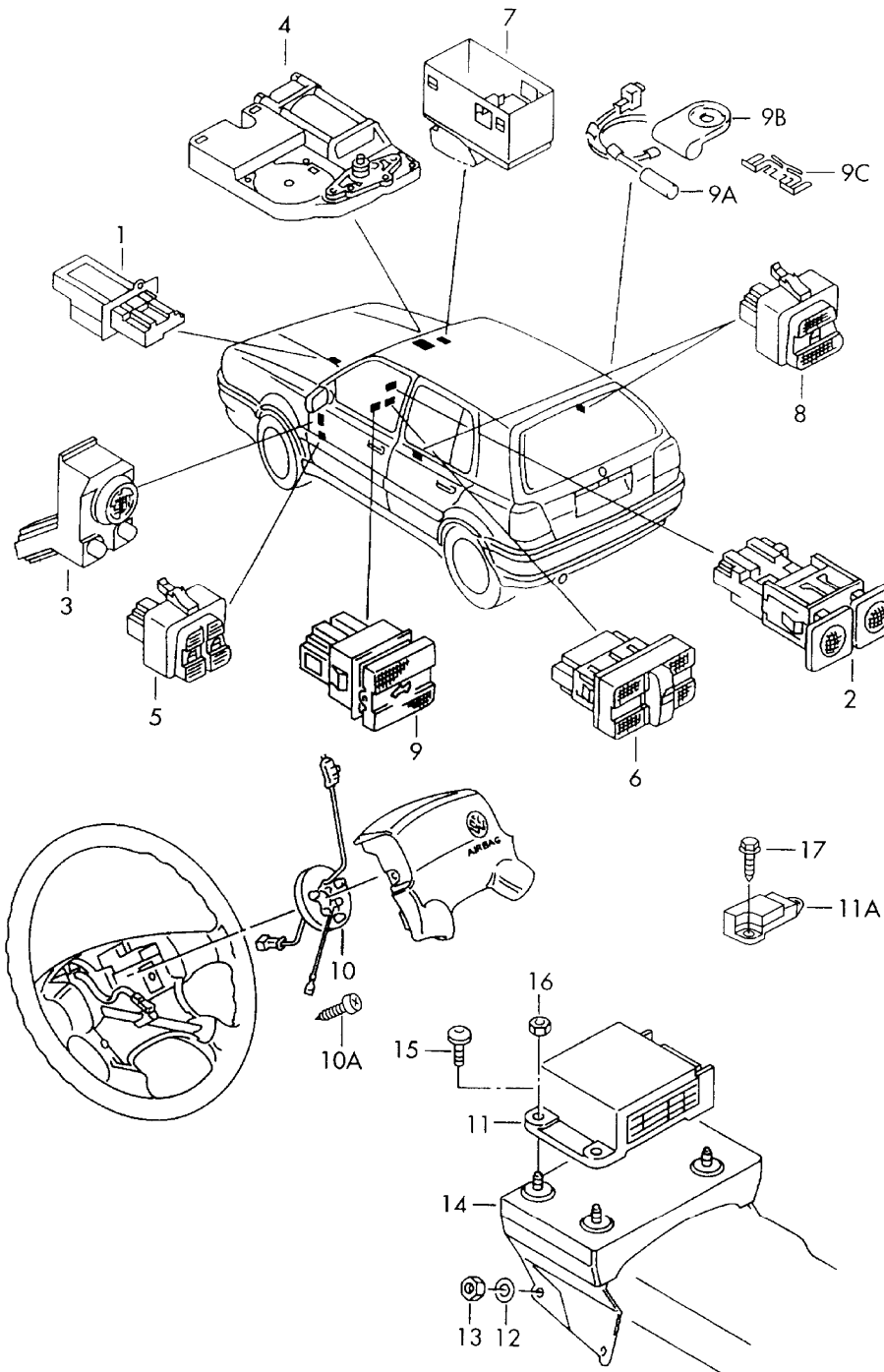
Pos	Part Number	Name	Remarks	Qty	Model
6	1H0 953 519	switch for wipers/wash-wipe operation		1	
	04/92-07/9601C	satin black			
(6)	535 953 519 B	switch for windshield wiper, wipers and washer and multi function indicator operation with memory button		1	
	04/92-07/9601C	satin black			
7	321 953 573	fillister hd. screw		3	





# ETKA

Model	Year	MG	SG	Illustration	Restrictions	UPD	16:16	06.07.2006
JEM	1996	9	59	959-10		618		





# ETKA

Model	Year	MG	SG	Illustration	Restrictions	UPD	16:16	06.07.2006
JEM	1996	9	59	959-10		618		

Pos	Part Number	Name	Remarks	Qty	Model
		series resistor switch for electric sliding roof for rear view mirror, electri- cally operated and heated for electric window lifters			
(1)	701 959 263 A	series resistance for fresh air and hot air blower	1,9/0,92/0,26	1	air condit.
1	1H0 959 263	series resistor		1	
2	1H6 959 543	switch for air conditioner		1	
	04/92-08/9301C	satın black			
(2)	1H0 959 543	switch for air conditioner		1	
	09/93-07/9601C	satın black			
3	1H0 959 565	switch for rear view mirror electrically operated		1	
	04/92-07/96H21	mauritijs blue			
	04/92-07/96T21	beaver			
	04/92-07/9601C	satın black			
(4)	3A0 959 731 B	sliding roof motor glass sliding roof		1	
5	1H0 959 855	switch for electric windows (drivers side)		1	
	04/92-07/96H21	mauritijs blue			
	04/92-07/96T21	beaver			
	04/92-07/9601C	satın black			
6	1H0 959 855 A	switch for electric windows dashboard	4-door	1	
	04/92-07/9601C	satın black			
(7)	1H0 959 728	switch glass sliding roof		1	
	09/92-07/94H50	grey blue			



# ETKA

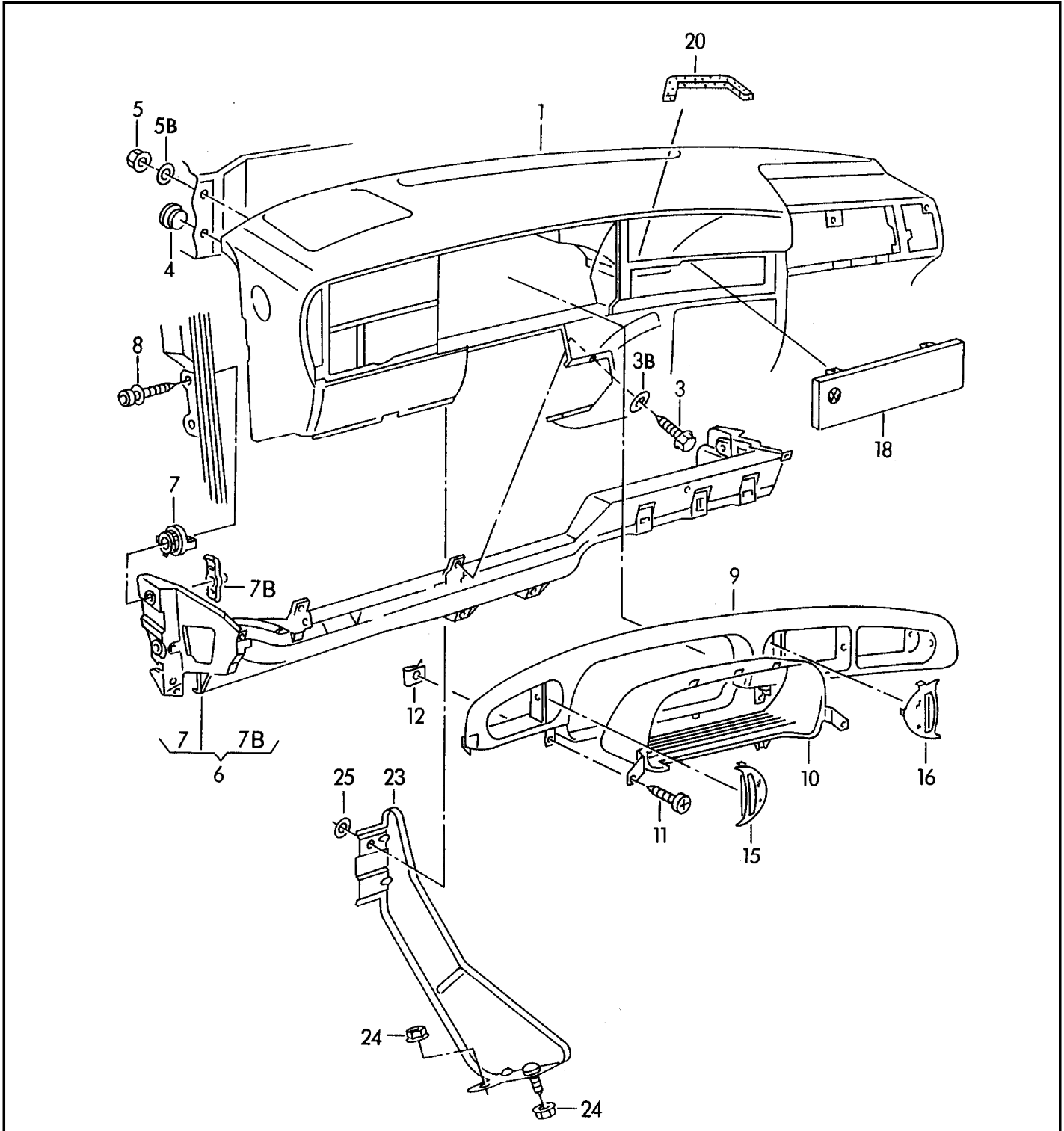
Model	Year	MG	SG	Illustration	Restrictions	UPD	16:16	06.07.2006
JEM	1996	9	59	959-10		618		

Pos	Part Number	Name	Remarks	Qty	Model
	08/94-07/96Y20	pearl grey			
8	1H0 959 855 C	switch for electric windows		3	
	04/92-07/9601C	satin black			
	04/92-07/96T21	beaver			
9	1H0 959 855 D	switch hood, rear		1	
	04/92-07/9601C	satin black			
(9)	1HM 962 125 A	safety switch for central locking system F 1H-H-000 133>>		1	
		air bag control module			
10A	+ N 014 122 8	fillister hd. screw	M4.0X8.0	6	
(10)	1H0 959 653 E	cancelling ring with slip ring		1	
(11)	f 6N0 909 603 D	driver and passenger airbag control module		1	
		to be used for:	6N0 909 603		
12	N 903 302 01	washer	8,4X20X1,6	4	
13	+ N 011 008 8	hex. nut	M8	4	
(14)	1HM 959 657	bracket		1	
		also use:	>>1H-T-012783		
			N 901 063 02	1	
15	N 905 959 01	oval hexagon socket head bolt F >> 1H-T-012 783	M6X11,5-E	3	
16	+ N 901 063 02	shouldered hex. nut F 1H-T-012 784>>	M6	3	



# ETKA

Model	Year	MG	SG	Illustration	Restrictions	UPD	16:06	06.07.2006
JEM	1996	8	57	857-05		618		





# ETKA

Model	Year	MG	SG	Illustration	Restrictions	UPD	16:06	06.07.2006
JEM	1996	8	57	857-05		618		

Pos	Part Number	Name	Remarks	Qty	Model
		dashboard dashboard installation parts F >> 1H-R-025 321			JETTA
1	1HM 857 003	dashboard, padded		1	
	04/92-05/93H45	mauritius blue			
	04/92-10/93Q05	beaver			
(1)	1HM 857 003 M	dashboard, padded		1	
		also use:	1H1 857 101 (B41)	1	
			1H5 857 122 (A35)	1	
			1H1 819 705 (01C)	1	
			1H1 819 706 A (01C)	1	
	08/93-10/93A35	black			
(1)	1H5 857 003 M	dashboard, padded		1	
	09/92-10/93A35	black			
	09/92-05/93H45	mauritius blue			
	09/92-10/93Q05	beaver			
3	N 010 296 2	screw, hex. hd.	M5X18	8	
(3)	N 010 264 4	screw, hex. hd.	M5X20	1	
-	+ N 011 665 3	washer	5,3X15X1,6	8	
4	N 020 025 1	plug	A12X1	2	
5	+ N 011 006 24	hex. nut	M6	3	
-	+ N 011 666 15	washer	6,4X18X1,6	3	
(6)	1HM 857 011 A	cross member for dashbord for vehicles with airbag		1	
(6)	1H1 857 011 Q	cross member for dashbord also use:	>>1H-P-999000 1H0 972 559	1	"CDN"
7	1H0 857 049	adjustment part			
7B	1H0 857 047	threaded plate		4	



# ETKA

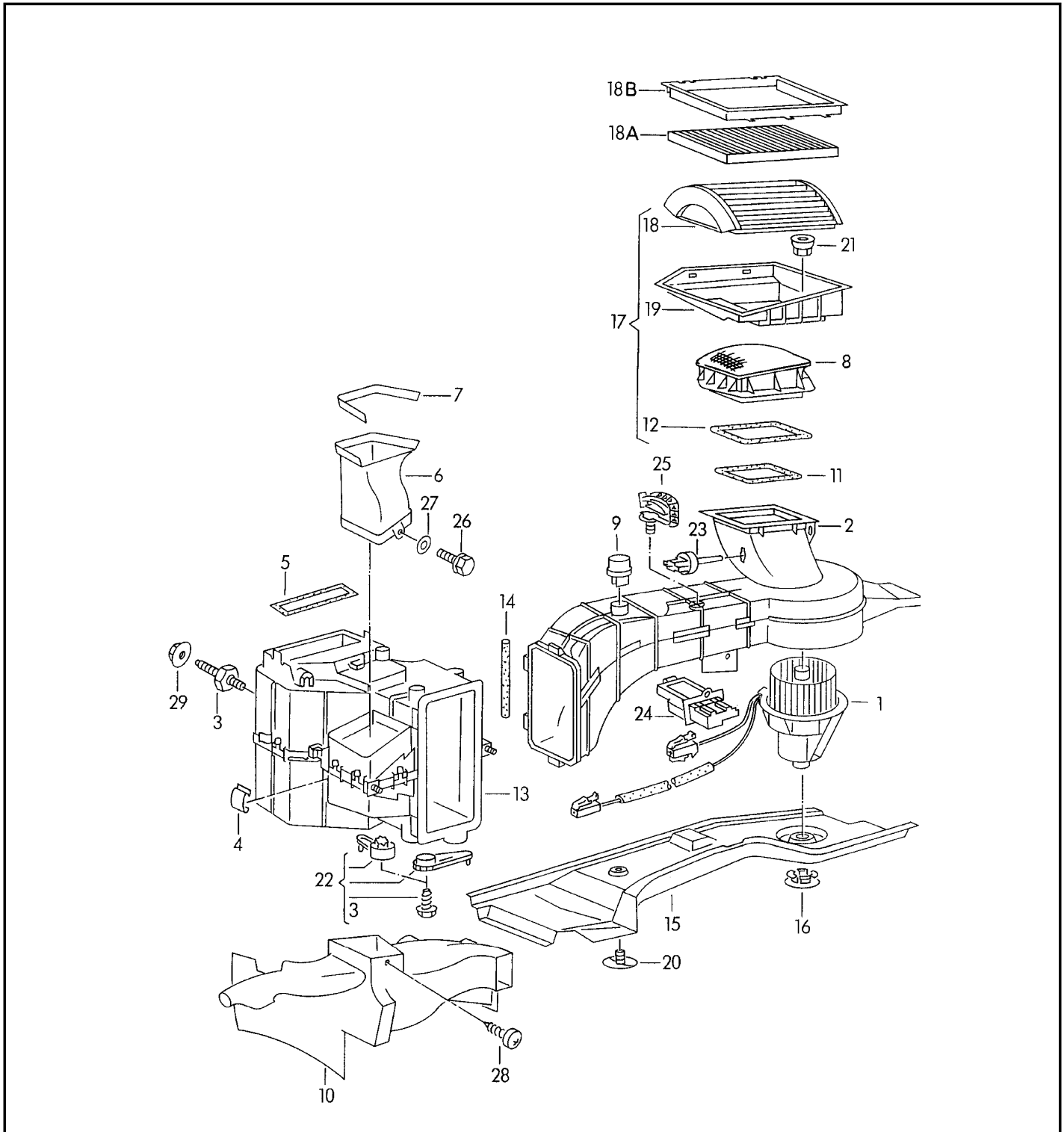
Model	Year	MG	SG	Illustration	Restrictions	UPD	16:06	06.07.2006
JEM	1996	8	57	857-05		618		

Pos	Part Number	Name	Remarks	Qty	Model
8	N 905 509 01	bolt, with hex. socket hd. (combi.)	EM8X50	4	
9	1H5 857 059 B	trim dashboard		1	
	04/92-10/9301C	satin black			
10	1H5 857 061 B	trim F >> 1H-R-025 321		1	
	04/92-10/9301C	satin black			
11	+ N 902 412 03	fillister hd. screw	M4GFX20.0	X	
12	+ N 904 190 02	speed nut	M4X15X17,5	X	
15	1H5 858 065	trim with symbol illumination	left	1	
	04/92-10/9301C	satin black			
(15)	1H5 858 081	trim with symbol	left	1	
	04/92-10/9301C	satin black			
16	1H5 858 066	trim with symbol illumination	center	1	
	04/92-10/9301C	satin black			
(16)	1H5 858 082	trim with symbol	center	1	
	04/92-10/9301C	satin black			
18	1H0 857 231 A	trim for radio opening		1	
	04/92-10/9301C	satin black			
20	1H0 819 090 B	gasket shorten to:	165MM	1	
23	1H1 858 017	support	upper	1	
24	+ N 901 752 03	shouldered hex. nut	M6	2	
25	803 955 637	sealing washer F 1H-P-040 325>>		2	
-	1H0 858 311 A	retaining clamp		1	
-	1HM 858 315 B	support	lower	1	



# ETKA

Model	Year	MG	SG	Illustration	Restrictions	UPD	16:07	06.07.2006
JEM	1996	8	19	819-20		618		





# ETKA

Model	Year	MG	SG	Illustration	Restrictions	UPD	16:07	06.07.2006
JEM	1996	8	19	819-20		618		

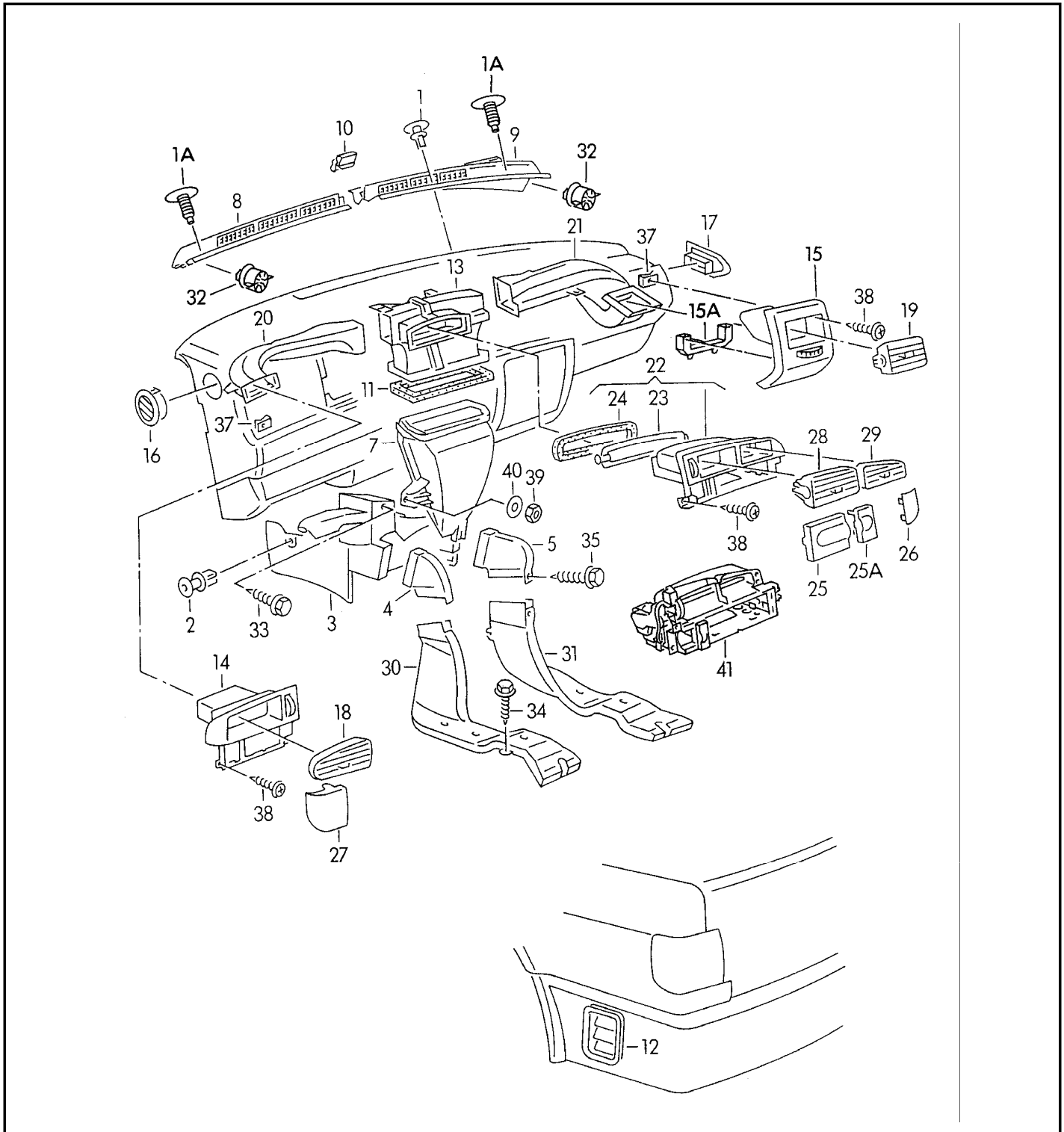
Pos	Part Number	Name	Remarks	Qty	Model
		fan heat exchanger	heater		
1	1H1 819 021	fan		1	
2	1H1 819 053	air duct		1	
3	1H0 819 056	double hex. hd. bolt		1	
4	321 819 059	clamp		X	
5	7D0 819 069	gasket	810X25X6 lower	1	
6	1H1 819 081	intermediate piece		1	
7	1H0 819 090 B	gasket		1	
8	1H1 819 098 A	intake manifold		1	
9	191 819 135	mounting		1	
10	1H1 819 151	footwell vent		1	
11	1H0 819 165	gasket		1	
13	1H1 820 351	connection box		1	
14	191 819 370	gasket		1	
15	1H1 819 593	cover	lower	1	
-	1HM 819 593	cover	lower	1	
16	191 819 598	plug		1	
20	1H0 819 943	round hd. screw		1	
21	+ 191 837 270	shouldered hex. nut	M5	2	
22	1H1 898 001	1 set of levers for air distribution housing		1	
24	1H0 959 263	series resistor		1	
(25)	+ N 906 661 01	tie wrap	4,5X200	X	
27	+ N 011 665 3	washer	5,3X15X1,6	2	
28	+ N 013 968 1	tapping screw, fill. hd.	ST4,8X13-C	3	
29	N 902 173 01	hex. nut with rubber washer	M6	3	





# ETKA

Model	Year	MG	SG	Illustration	Restrictions	UPD	16:08	06.07.2006
JEM	1996	8	19	819-30		618		





# ETKA

Model	Year	MG	SG	Illustration	Restrictions	UPD	16:08	06.07.2006
JEM	1996	8	19	819-30		618		

Pos	Part Number	Name	Remarks	Qty	Model
		air and footwell heater ducts, air hoses and vents water deflector			
1	1H0 819 055 C	clip		5	
	+ 05/92-07/9601C	satin black			
(1A)	1H0 819 055 B	clip		2	
	+ 04/92-07/9601C	satin black			
2	1H0 819 145	clip	16	1	
	04/92-07/96B41	satin black			
3	1H1 819 151	footwell vent		1	
4	1H1 819 159 A	air duct for rear footwell heating	left front	1	
5	1H1 819 160 A	air duct for rear footwell heating	right front	1	
7	1H1 819 363 A	air duct intermediate piece		1	
-	+ N 020 906 3	tie wrap F 1H-S-087 774>>*	A6X450	1	
8	1H1 819 415 B	water deflector	left	1	
	04/92-07/96B41	satin black			
9	1H1 819 416 B	water deflector	right	1	
	04/92-07/96B41	satin black			
10	1H1 819 423	connecting piece		1	
(11)	1H1 819 427 A	gasket intermediate piece heater		1	
12	1H0 819 465 D	vent trim		2	
13	1E1 819 693	air duct		1	
(14)	1H5 819 703	housing for air vent dashboard, padded F >> 1H-R-025 321		1	JETTA
	04/92-10/9301C	satin black			



# ETKA

Model	Year	MG	SG	Illustration	Restrictions	UPD	16:08	06.07.2006
JEM	1996	8	19	819-30		618		

Pos	Part Number	Name	Remarks	Qty	Model
14	1H6 819 703 B	housing for air vent dashboard, padded	left	1	GOLF, JETTA
	04/92-07/9601C	satin black			
(14)	1H6 819 703 E	housing for air vent	left lhd	1	
	04/92-07/9601C	satin black			
(15)	1H5 819 704	housing for air vent dashboard, padded	right		
		F >> 1H-R-025 321		1	JETTA
	04/92-05/93F31	mauritius blue			
	09/92-10/93S11	beaver			
	04/92-10/9301C	satin black			
(15)	1H6 819 704 B	housing for air vent	right	1	GOLF
		F 1H-R-025 322>>		1	JETTA
	07/94-07/96S11	beaver			
	07/94-07/9601C	satin black			
15A	c 1H5 819 778	light bar with bulb dashboard, padded		1	JETTA
		F >> 1H-R-025 321			
16	1H1 819 705	air vent	left	1	GOLF, JETTA
	04/92-05/93H21	mauritius blue			"CDN"
	04/92-07/96S11	beaver			
	04/92-07/9601C	black			
(17)	1H1 819 706 A	air vent	right		
		F 1H-T-000 001>>		1	GOLF, JETTA
	08/95-07/9601C	satin black			
	04/92-05/93H21	mauritius blue			"CDN"
	08/95-07/96S11	beaver			
(18)	1H5 819 707	vent insert dashboard, padded			
		F >> 1H-R-025 321		1	JETTA
	04/92-10/9301C	satin black			



# ETKA

Model	Year	MG	SG	Illustration	Restrictions	UPD	16:08	06.07.2006
JEM	1996	8	19	819-30		618		

Pos	Part Number	Name	Remarks	Qty	Model
18	1H6 819 707	vent insert	left	1	GOLF
		F 1H-R-025 322>>		1	JETTA
	04/92-07/9601C	satin black			
19	1H1 819 708	vent insert	right	1	GOLF, JETTA
		04/92-07/9601C		satin black	
(20)	1H1 819 723 A	air duct	left	1	
(21)	1H1 819 724 A	air duct	right	1	
(22)	1H5 819 728 B	housing for air vent	center	1	
		dashboard, padded WITHOUT TRIM			
	04/92-07/9601C	satin black			
(22)	1E1 819 728	housing for air vent	center	1	
		WITH TRIM			
	04/92-07/9601C	satin black			
23	1H1 819 734	flap		1	GOLF, JETTA
		04/92-07/9601C			
24	1H0 819 740 A	gasket		1	GOLF, JETTA
		04/92-07/9601C			
(25)	1H5 819 741	trim	left, center	1	JETTA
		dashboard, padded F >> 1H-R-025 321			
	04/92-10/9301C	satin black			
25	1H6 819 741	trim	left, center	1	GOLF
		F 1H-R-025 322>>		1	JETTA
	04/92-07/9601C	satin black			
(25A)	1H5 819 741 B	trim	right, center	1	JETTA
		dashboard, padded F >> 1H-R-025 321			
	04/92-10/9301C	satin black			
25A	1H6 819 741 A	trim	left, center	1	GOLF
		air condit. F 1H-R-025 322>>		1	JETTA



# ETKA

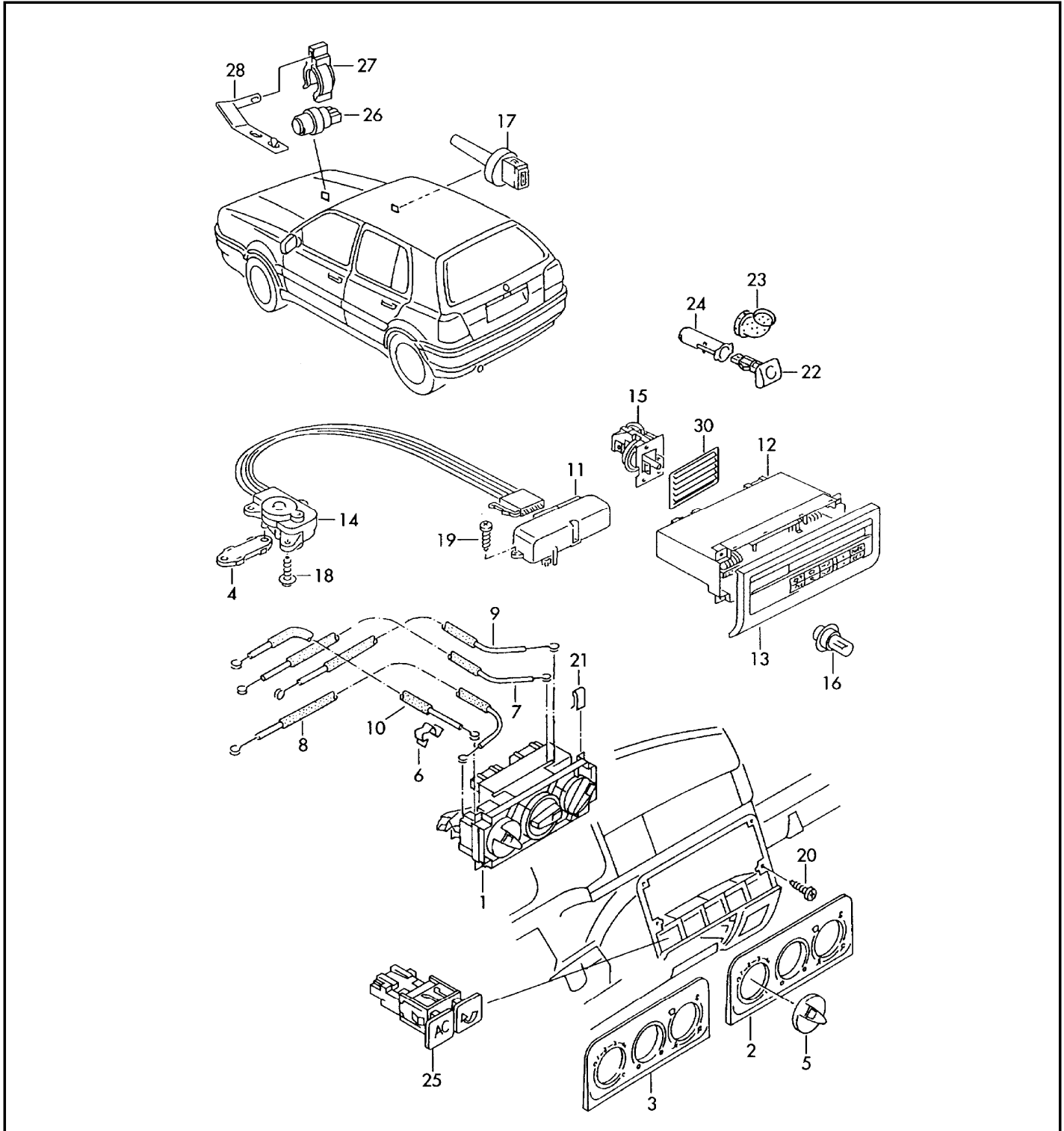
Model	Year	MG	SG	Illustration	Restrictions	UPD	16:08	06.07.2006
JEM	1996	8	19	819-30		618		

Pos	Part Number	Name	Remarks	Qty	Model
	04/92-07/9601C	satin black			
26	1H1 819 742	trim	right, center	1	GOLF, JETTA
	04/92-07/9601C	satin black			
27	1H1 819 743	trim	left	1	GOLF, JETTA
	04/92-07/9601C	satin black			
(28)	1H5 819 755	vent insert dashboard, padded F >> 1H-R-025 321	left, center	1	JETTA
	04/92-10/9301C	satin black			
28	1H6 819 755	vent insert F 1H-R-025 322>>	left, center	1 1	GOLF JETTA
	04/92-07/9601C	satin black			
(29)	1H5 819 756	vent insert dashboard, padded F >> 1H-R-025 321	right, center	1	JETTA
	04/92-10/9301C	satin black			
29	1H6 819 756	vent insert F 1H-R-025 322>>	right, center	1 1	GOLF JETTA
	04/92-07/9601C	satin black			
30	1H1 819 803	air duct for rear footwell heating	left	1	
31	1H1 819 804 A	air duct for rear footwell heating	right	1	
32	1H0 819 946 A	adapter		2	
33	N 013 882 1	tapping screw, hex. hd.	BZ4, 2X16	X	
34	+ N 013 888 2	tapping screw, hex. hd.	B5, 5X19	2	
35	N 013 966 12	tapping screw, fill. hd.	ST4, 2X13-C	X	
37	N 902 825 01	speed nut	3, 1X13X11, 5	X	
38	+ N 902 412 03	fillister hd. screw	M4GFX20.0	X	
39	+ N 011 005 17	hex. nut	M5	1	
40	+ N 011 523 18	washer	A5, 3X10X1	2	



# ETKA

Model	Year	MG	SG	Illustration	Restrictions	UPD	16:08	06.07.2006
JEM	1996	8	19	819-40		618		





# ETKA

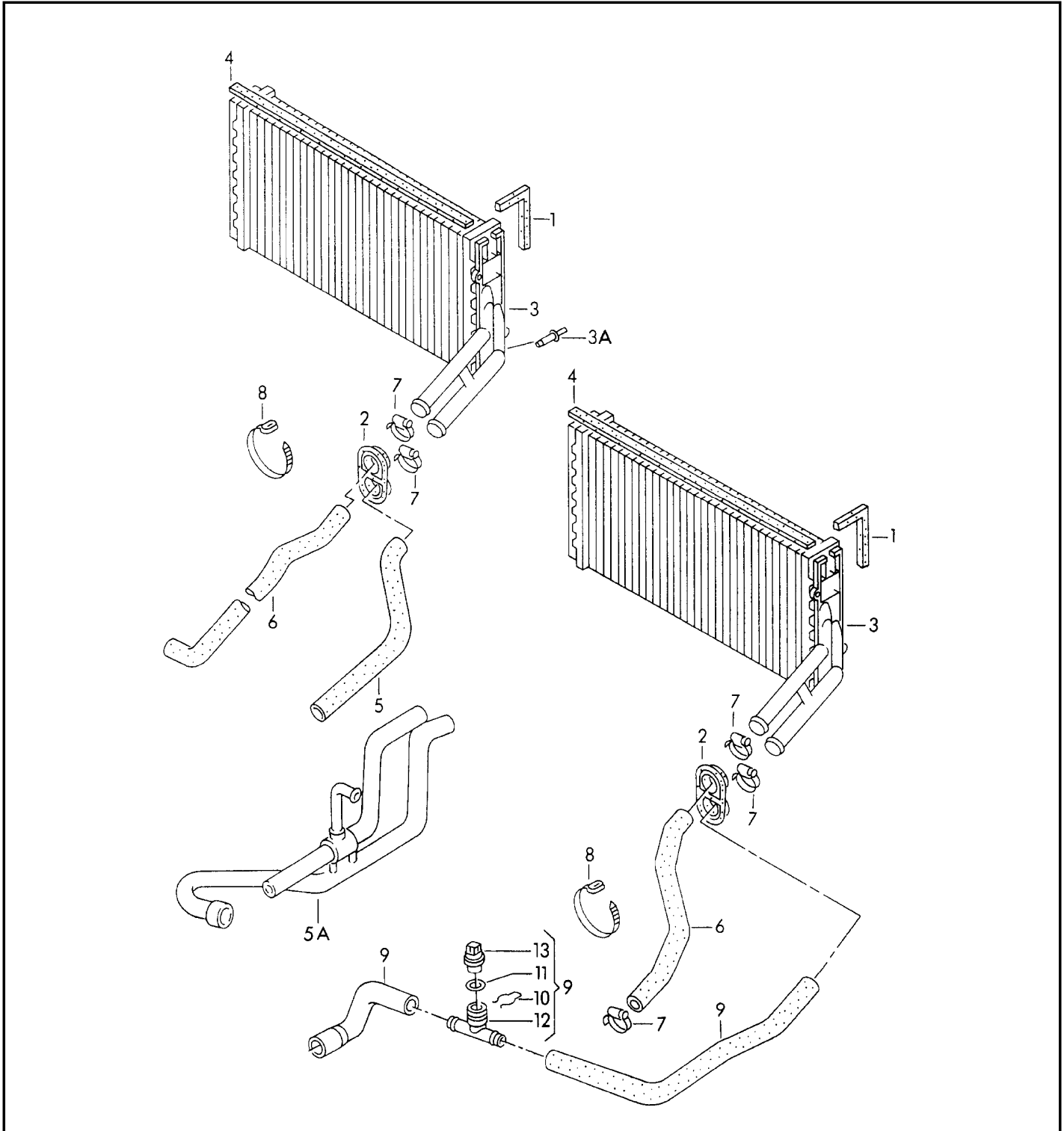
Model	Year	MG	SG	Illustration	Restrictions	UPD	16:08	06.07.2006
JEM	1996	8	19	819-40		618		

Pos	Part Number	Name	Remarks	Qty	Model
1	1H0 819 045 C	fresh air and heater controls		1	
(1)	1H0 820 045 C	fresh air and heater controls for vehicles with air condit.		1	
-	+ N 017 751 2	bulb illumination for fresh air controls	W5/1,2W12V1,2W	X	
2	1H6 819 075	trim for fresh air and heater controls		1	
	04/92-07/9601C	satin black			
3	1H6 820 075	trim for fresh air and heater controls for vehicles with air condit.		1	
	04/92-07/9601C	satin black			
5	1H0 819 129	button		3	
	04/92-07/9601C	satin black			
6	823 819 679	clamp		8	
7	1H1 819 831	cable for control flap	639MM black	1	
8	1H1 819 833	cable for flap	807MM black	1	
9	1H1 819 835	cable for defroster flap	488MM black	1	
10	1H1 819 837	cable for temp. control flap	585MM blue	1	
20	+ N 902 412 03	fillister hd. screw	M4GFX20.0	4	
21	N 902 825 01	speed nut	3,1X13X11,5	4	



# ETKA

Model	Year	MG	SG	Illustration	Restrictions	UPD	16:09	06.07.2006
JEM	1996	8	20	819-50		618		







# ETKA

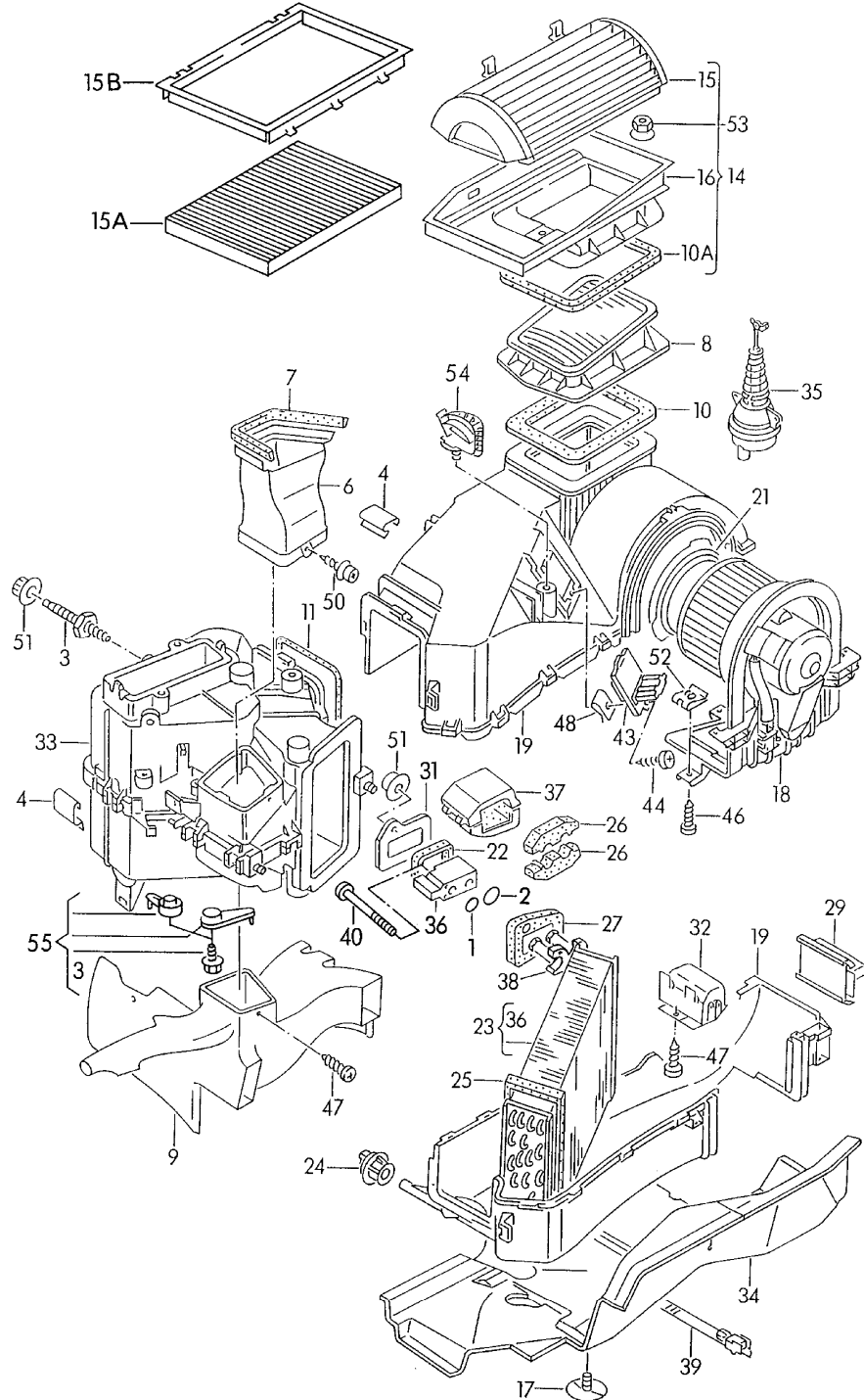
Model	Year	MG	SG	Illustration	Restrictions	UPD	16:09	06.07.2006
JEM	1996	8	20	819-50		618		

Pos	Part Number	Name	Remarks	Qty	Model
		heat exchanger water hoses	heater air condit.		
1	321 819 017	gasket	680X8X10	1	
2	1H0 819 019	gasket heat exchanger		1	
3	1H1 819 031 A	heat exchanger	also use: 1H0 820 233	1 1	
(3)	1H1 819 031 B	heat exchanger	also use:	1	
3A	1H0 820 233	adapter vacuum hose		1	
4	7D0 819 069	gasket	810X25X6	1	
5	1H0 819 371	water hose	feed	1	ACC, diesel eng.+ AAZ
(5)	1HM 819 371	water hose	feed	1	ABA
6	1H0 819 373	water hose	return	1	ABA,ACC, diesel eng.+ AAZ
7	+ N 016 403 1	spring clip	27	2	
8	+ N 906 661 01	tie wrap	4,5X200	X	



# ETKA

Model	Year	MG	SG	Illustration	Restrictions	UPD	16:09	06.07.2006
JEM	1996	8	20	820-10		618		





# ETKA

Model	Year	MG	SG	Illustration	Restrictions	UPD	16:09	06.07.2006
JEM	1996	8	20	820-10		618		

Pos	Part Number	Name	Remarks	Qty	Model
		air distribution housing evaporator housing evaporator fan footwell vent			air condit.
1	+ 8E0 260 749	round seal	10,8X1,82	1	
2	+ 8E0 260 749 D	round seal	14X1,8	1	
3	1H0 819 056	double hex. hd. bolt		1	
4	321 819 059	clamp		X	
6	1H1 819 081	intermediate piece		1	
7	1H0 819 090 B	gasket		1	
8	1H1 819 098 A	intake manifold		1	
9	1H1 819 151	footwell vent		1	
10	1H0 819 165	gasket		1	
11	191 819 370	gasket		1	
17	1H0 819 943	round hd. screw		3	
18	1H1 820 021	fan		1	
19	1H1 820 024	housing		1	
21	191 820 048	ring		1	
22	321 820 061 D	gasket	1220X12X10 shorten to: 95MM	1	
23	1H1 820 103 C	evaporator with expansion valve		1	
24	1H0 820 119 A	water drain valve		1	
25	191 820 129	gasket		2	
-	1H1 820 129	gasket	left	1	
-	1H1 820 130	gasket	right	1	
26	1H0 820 133	gasket		2	
27	1H1 820 139	gasket expansion valve		1	



# ETKA

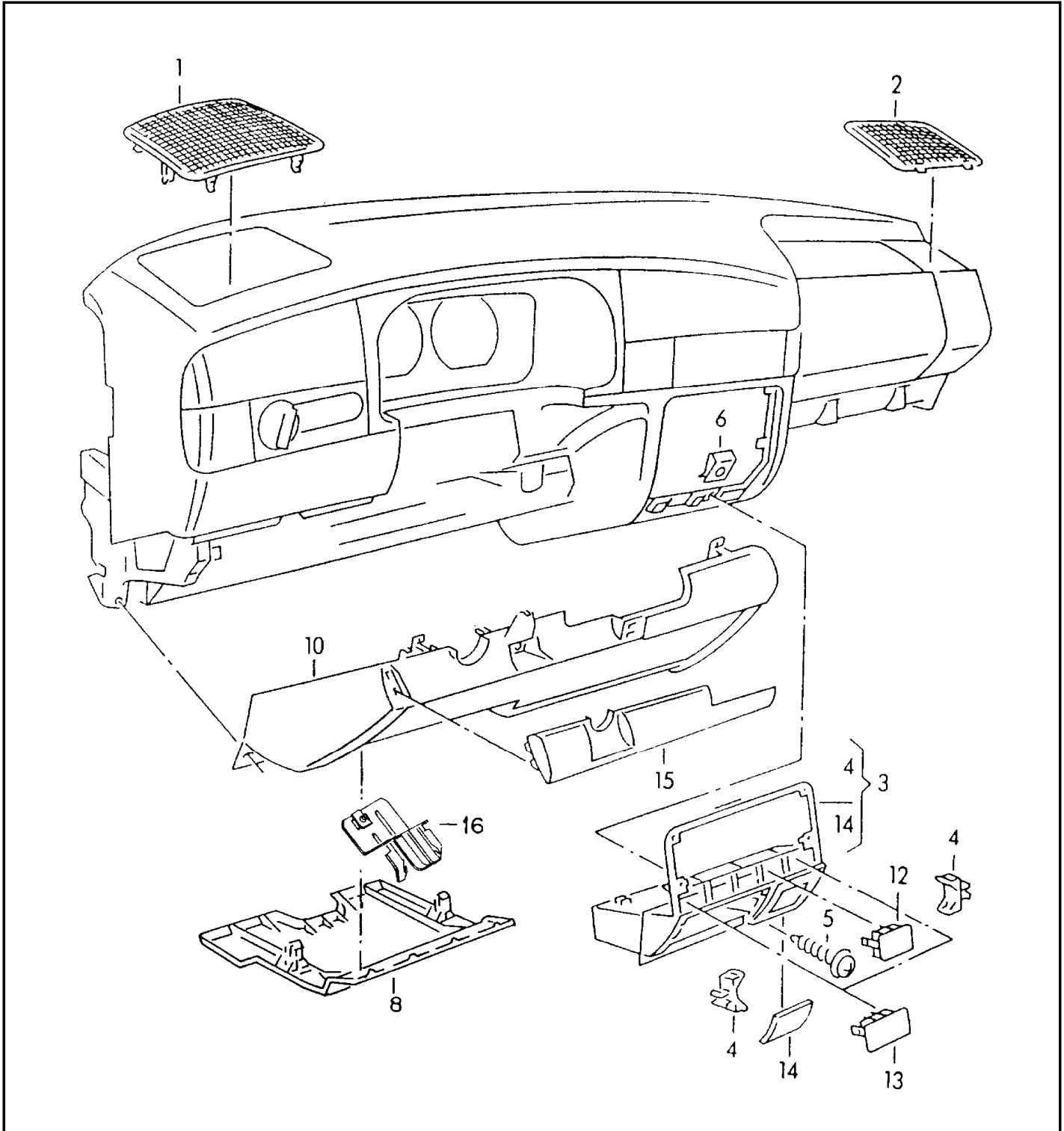
Model	Year	MG	SG	Illustration	Restrictions	UPD	16:09	06.07.2006
JEM	1996	8	20	820-10		618		

Pos	Part Number	Name	Remarks	Qty	Model
29	1H1 820 149	rubber mounting		1	
31	1H1 820 281	reinforcement plate		1	
32	357 820 295 B	thermostat with protective cap		1	
33	1H1 820 351	connection box		1	
34	1H1 820 593 A	cover	lower	1	
35	1H1 820 677	vacuum unit air distribution housing intake duct		1	
36	6N0 820 679 C	expansion valve	R134A	1	
37	1H0 820 692	insulating piece		1	
	04/92-07/9601C	satin black			
38	1H0 816 831	flange expansion valve		1	
39	191 820 845	strap		1	
40	N 010 655 1	screw, cheese hd.	BM5X55	2	
43	701 959 263 A	series resistance for fresh air and hot air blower	1,9/0,92/0,26	1	
44	+ N 013 965 5	tapping screw, fill. hd.	B4,2X9,5	X	
46	+ N 013 969 4	tapping screw, fill. hd.	B4,8X16	4	
47	N 014 099 3	tapping screw, csk.	ST4,8X13-C	X	
48	N 015 442 1	speed nut	B4,2X12,8X11	1	
50	+ N 103 091 01	tapping screw, fill.hd. (combi.)	B4,8X16Z2	1	
51	N 902 162 01	hex. nut	M6	4	
52	N 902 767 01	speed nut	ST4,8X14,25	4	
53	+ 191 837 270	shouldered hex. nut	M5	2	
54	+ N 906 661 01	tie wrap	4,5X200	X	
55	1H1 898 001	1 set of levers for air distribution housing		1	
-	1H0 877 244	clip f. hole/sheet metal thickness:	4,5X200 6,5 / 0,6-1,5	X	



# ETKA

Model	Year	MG	SG	Illustration	Restrictions	UPD	16:10	06.07.2006
JEM	1996	8	57	857-10		618		





# ETKA

Model	Year	MG	SG	Illustration	Restrictions	UPD	16:10	06.07.2006
JEM	1996	8	57	857-10		618		

Pos	Part Number	Name	Remarks	Qty	Model
		dashboard installation parts			
1	1H1 857 209	loudspeaker grille	left	1	
	04/92-05/93H21	mauritius blue			
(1)	1H1 857 209 A	loudspeaker grille	left	1	
		also use:	1H1 857 210 A (01C)		
	04/92-07/9601C	satın black			
(1)	1H1 857 209 A	loudspeaker grille	left	1	
		also use:	1H1 857 210 A (S11)	1	
	04/92-07/96S11	beaver			
2	1H1 857 210	loudspeaker grille	right	1	
	04/92-05/93H21	mauritius blue			
(2)	1H1 857 210 A	loudspeaker grille	right	1	
		also use:	1H1 857 209 A (01C)	1	
	04/92-07/9601C	satın black			
(2)	1H1 857 210 A	loudspeaker grille	right	1	
		also use:	1H1 857 209 A (S11)	1	
	04/92-07/96S11	beaver			
(3)	1H1 857 305 D	switch bracket with housing for ashtray		1	
	04/92-07/9601C	satın black		1	
4	1H0 857 327	guide piece		4	
5	+ N 902 412 03	fillister hd. screw	M4GFX20.0	2	
(5)	N 904 484 01	fillister hd. screw	M4GFX15.0	10	
6	+ N 904 190 02	speed nut	M4X15X17,5	2	
(8)	1HM 863 081	cover for fuse box/relay plate			
		F >> 1H-S-097 723		1	
	09/92-07/9501C	satın black			



# ETKA

Model	Year	MG	SG	Illustration	Restrictions	UPD	16:10	06.07.2006
JEM	1996	8	57	857-10		618		

Pos	Part Number	Name	Remarks	Qty	Model
(8)	1HM 863 081 A	cover for fuse box/relay plate F 1H-S-097 724>> 1H-T-059 794		1	
	07/95-11/9501C	satın black			
	1HM 863 081 B	cover for fuse box/relay plate F 1H-T-059 795>>		1	
	12/95-07/9601C	satın black			
8	1HM 857 917 B	cover for fuse box/relay plate		1	"CDN"
	04/92-07/96B41	satın black			
	04/92-05/93F31	mauritiuS blue			
	04/92-07/96T21	beaver			
10	1H1 857 923	cover cross member	left	1	"CDN"
	04/92-07/96B41	satın black			
	04/92-05/93F31	mauritiuS blue			
	04/92-07/96T21	beaver			
12	1H0 858 179	blind cover	inner	X	
	04/92-07/9601C	satın black			
13	1H0 858 180	blind cover	outer	X	
	04/92-07/9601C	satın black			
14	1H1 858 981 B	cap with symbol for diagnosis plug	GHE/TJG	1	
	09/93-07/9601C	satın black		1	
(15)	1H1 858 183	trim		1	"CDN"
	04/92-07/96B41	satın black			
	04/92-05/93F31	mauritiuS blue			
	04/92-07/96T21	beaver			
15	1H1 858 183 A	trim for vehicles with choke cable		1	"CDN"



# ETKA

Model	Year	MG	SG	Illustration	Restrictions	UPD	16:10	06.07.2006
JEM	1996	8	57	857-10		618		

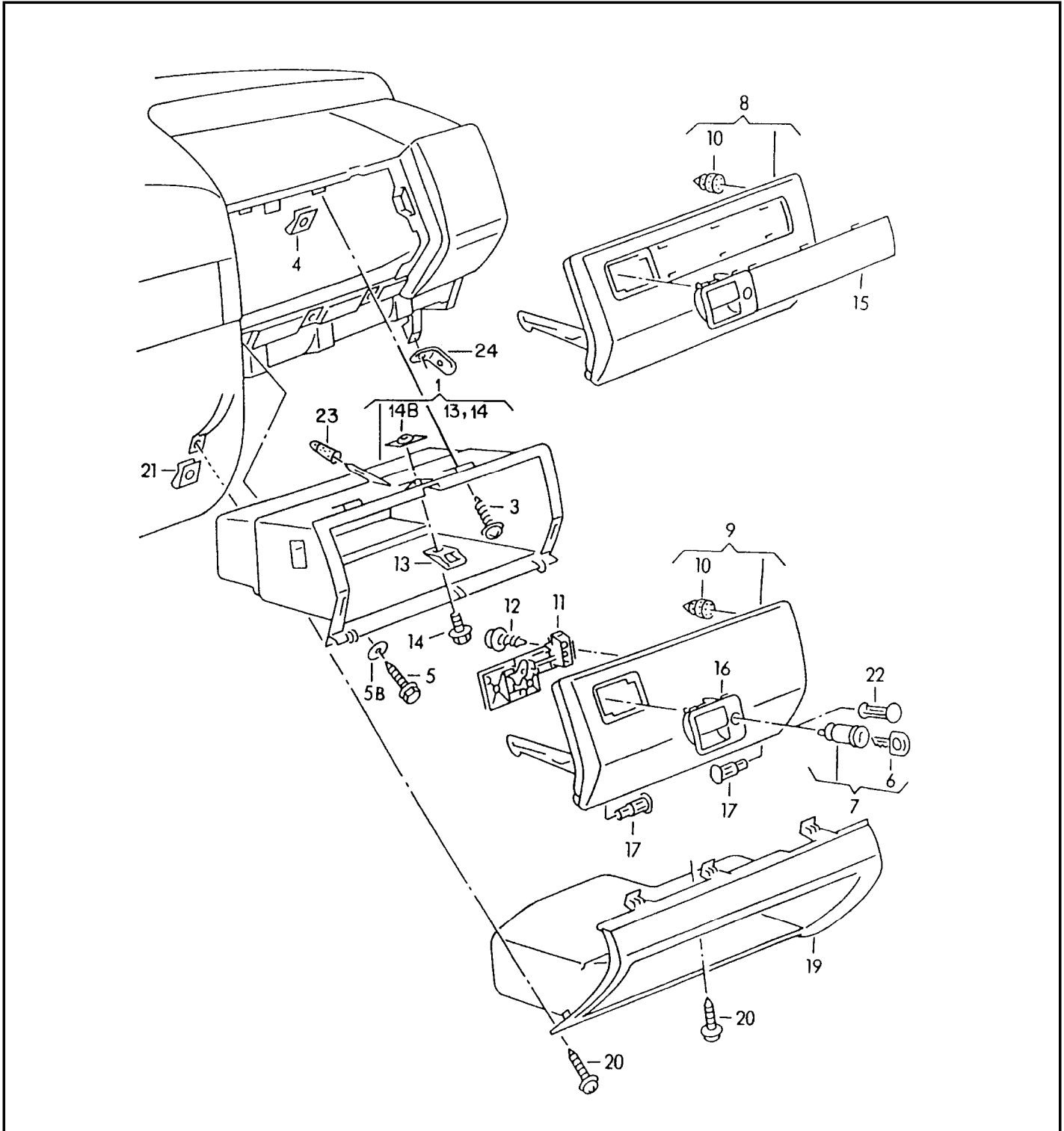
Pos	Part Number	Name	Remarks	Qty	Model
16	04/92-07/96B41	satin black			
	04/92-05/93F31	mauritius blue			
	04/92-07/96T21	beaver			
	1HM 863 088 A	clamp		2	





# ETKA

Model	Year	MG	SG	Illustration	Restrictions	UPD	16:10	06.07.2006
JEM	1996	8	57	857-20		618		





# ETKA

Model	Year	MG	SG	Illustration	Restrictions	UPD	16:10	06.07.2006
JEM	1996	8	57	857-20		618		

Pos	Part Number	Name	Remarks	Qty	Model
		glove box shelf			
1	1H1 857 101	glove box		1	
	04/92-07/96B41	satin black			
3	+ N 902 412 03	fillister hd. screw	M4GFX20.0	2	
4	+ N 904 190 02	speed nut	M4X15X17,5	2	
5	N 010 296 2	screw, hex. hd.	M5X18	3	
(5)	N 010 264 4	screw, hex. hd.	M5X20	1	
5B	+ N 011 665 3	washer	5,3X15X1,6	3	
6		see illustration:	837-00		
7	1H0 857 113	lock cylinder			
		F >> 1H-R-037 642		1	
		F 1H-T-106 784>>		1	
8	1H5 857 122	glove box lid for padded dashboard			
		F >> 1H-R-025 321		1	JETTA
	04/92-10/93A35	black			
	04/92-05/93H45	mauritius blue			"CDN".
(9)	1H6 857 122	glove box lid for padded dashboard		1	GOLF
		also use:	1H6 857 147 (01C)		
		F 1H-R-025 322>>		1	JETTA
	04/92-07/96A35	black			
	04/92-05/93H45	mauritius blue			"CDN"
10	N 905 814 01	plug	A7X2	X	
11	1H1 857 131	catch		1	
	04/92-07/9601C	satin black			
12	+ N 903 494 01	tapping screw, fill. hd.	E3,9X16	3	
13	1H0 857 133	lock plate		1	
	04/92-07/96B41	satin black			



# ETKA

Model	Year	MG	SG	Illustration	Restrictions	UPD	16:10	06.07.2006
JEM	1996	8	57	857-20		618		

Pos	Part Number	Name	Remarks	Qty	Model
14	+ N 903 494 01	tapping screw, fill. hd.	E3,9X16	X	
(14)	+ N 902 412 03	fillister hd. screw shorten to:	M4X20 15MM	X	
-	+ N 904 190 02	speed nut	M4X15X17,5	X	
15	1H5 857 147	operating mechanism F >> 1H-R-025 321		1	JETTA
	04/92-05/93H21	mauritius blue			"CDN"
(15)	1H5 857 147 B	operating mechanism glove box lid F >> 1H-R-025 320		1	JETTA
	04/92-06/94S11	beaver			
	04/92-06/9401C	satin black			
16	1H6 857 147	operating mechanism F 1H-R-025 322>> 1H-R-037 642		1	GOLF
	04/92-07/96S11	beaver		1	JETTA
	04/92-07/9601C	satin black		1	
17	867 857 169	pin - hinge		2	
(19)	1HM 857 924	shelf	right	1	"CDN"
	08/93-07/96B41	satin black			
	08/93-07/96T21	beaver			
(19)	1HM 857 924 A	shelf air condit.	right	1	"CDN"
	08/93-07/96B41	satin black			
	08/93-07/96T21	beaver			
19	1H1 857 924	shelf	right	1	"CDN"
	04/92-07/93B41	satin black			
	04/92-07/93F31	mauritius blue			"CDN"
	04/92-07/93T21	beaver			
(19)	1H1 857 924 A	shelf air condit.	right	1	"CDN"



# ETKA

Model	Year	MG	SG	Illustration	Restrictions	UPD	16:10	06.07.2006
JEM	1996	8	57	857-20		618		

Pos	Part Number	Name	Remarks	Qty	Model
	04/92-07/93B41	satin black			
	04/92-07/93F31	mauritius blue			"CDN"
	04/92-07/93T21	beaver			
20	+ N 902 412 03	fillister hd. screw shorten to:	M4X20 15MM	5	
21	+ N 904 190 02	speed nut	M4X15X17,5	1	
22	357 858 133	cap		X	
	04/92-07/9601C	satin black			
(23)	357 858 507 B	grommet		1	
24	191 805 217 A	bracket		1	
(19)	1HM 880 890	glove box knee bar	right	1	
	03/96-07/96A35	black			
	03/96-07/96Q05	beaver			