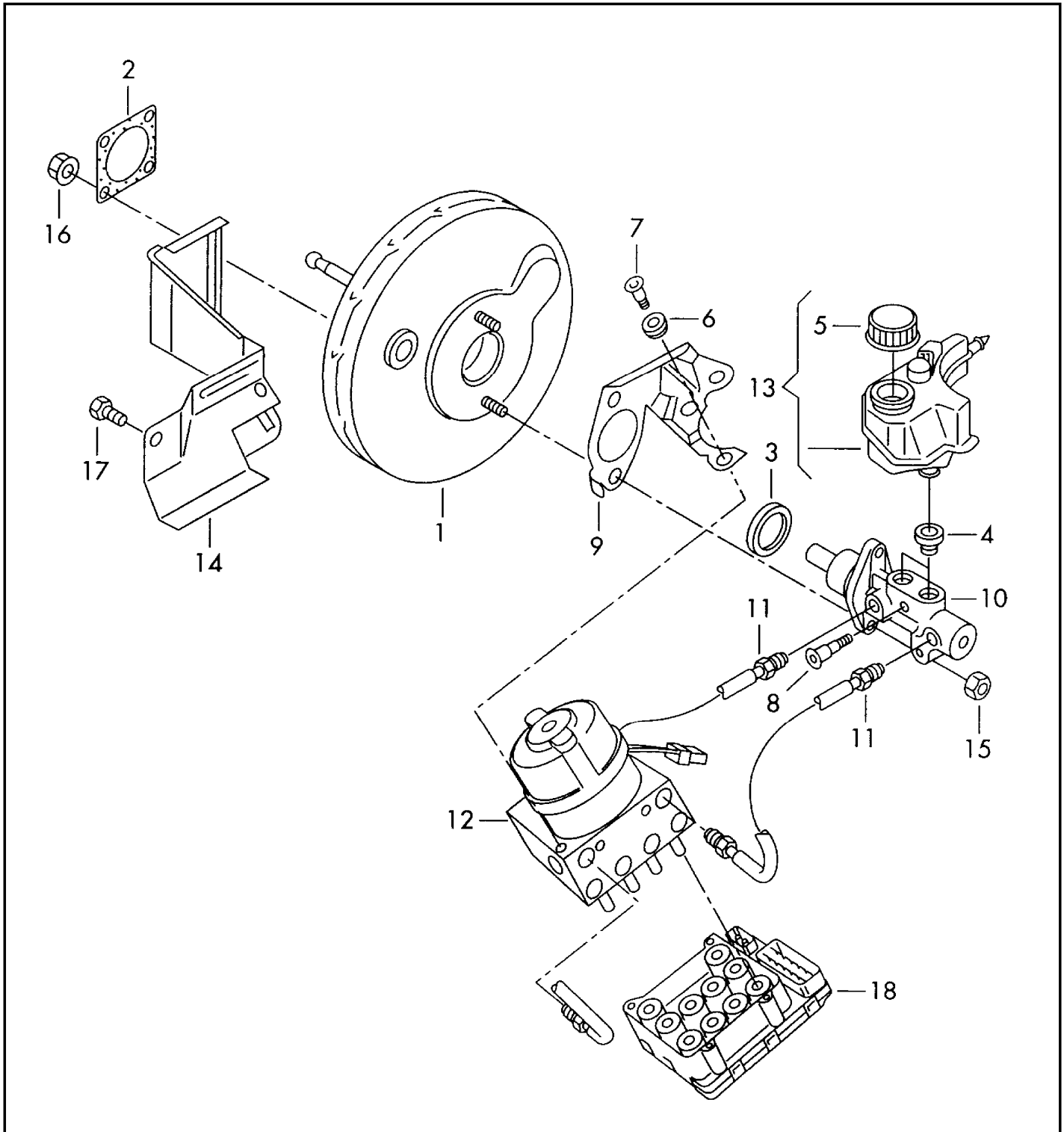




# ETKA

Model	Year	MG	SG	Illustration	Restrictions	UPD	23:14	09.05.2006
JEM	1998	6	14	614-31		618		





# ETKA

Model	Year	MG	SG	Illustration	Restrictions	UPD	23:14	09.05.2006
JEM	1998	6	14	614-31		618		

Pos	Part Number	Name	Remarks	Qty	Model
		anti-locking brake syst. -abs- brake booster brake master cylinder	MARK 20-I ATE		
1	1H1 612 107 D	brake booster		1	
2	1H0 612 161	gasket		1	ACC,AAZ,AHU ABA
(2)	1HM 612 161	gasket		1	AAA
3	1H1 611 243	gasket between brake servo and tandem master cylinder		1	
4	357 611 817	plug	12/22	2	
(5)	6N1 611 349 B	cap for reservoir		1	
6	1H1 614 147	damper		3	
7	1H0 614 159	fitted bolt		3	
8	1H1 614 159	fitted bolt		1	
9	1H0 614 191	bracket		1	
10	1H1 698 019 B	brake master cylinder with attachment parts	22,2MM ATE	1	ACC,AAZ,ABA, AHU
(10)	3A1 698 019	brake master cylinder with attachment parts	23,81MM ATE	1	AAA
11	1H0 698 705	brake line		1	
12	1J0 698 117	hydraulic control unit with attachment parts	ABS	1	ACC,AAZ,ABA, AHU
(12)	1J0 698 217	hydraulic control unit with attachment parts	ABS+EDS	1	AAA
13	1H1 698 301 A	reservoir with attachment parts		1	
-	1H0 698 311 A	1 set of attachment parts		1	
14	1H1 614 321 C	heatshield		1	
15	+ N 900 744 01	hex. nut, self-locking	M8	2	
16	+ N 902 264 03	shouldered hex. nut, self-locking	M8	X	



# ETKA

Model	Year	MG	SG	Illustration	Restrictions	UPD	23:14	09.05.2006
JEM	1998	6	14	614-31		618		

Pos	Part Number	Name	Remarks	Qty	Model
17	N 904 832 01	screw, hex. hd.	M6X8	2	
18		see illustration: see drawing:	927-10 1		