

-T18i- (B)	Designation	-T38- (A)	Designation	-T38- (A)	Designation
3		3		22	
4		4	Subwoofer -R211-	23	
5		5		24	
6	Noise cancellation microphone 3 -R287-	6		25	Ring break diagnostic cable to connection 1 (diagnosis) in main wiring harness (B444)
7	Noise cancellation microphone 3 -R287-	7	Rear left bass loudspeaker -R15- / Rear left treble loudspeaker -R14-	26	Front right mid-range loudspeaker -R104-
8	Noise cancellation microphone 1 -R285-	8	Rear right bass loudspeaker -R17- / Rear right treble loudspeaker -R16-	27	Front right mid-range loudspeaker -R104-
9	Noise cancellation microphone 1 -R285-	9		28	
10	Engine control unit -J623- / Power unit mounting control unit -J931-	10	NOT FOR BOSE	29	
11	Terminal 31, to (397) earth connection 32 in main wiring harness	11	Front left bass loudspeaker -R21-	30	
12		12	Front left bass loudspeaker -R21-	31	Centre loudspeaker -R208-
13	Noise cancellation microphone 4 -R288-	13	Front right bass loudspeaker -R23-	32	Centre loudspeaker -R208-
14	Noise cancellation microphone 4 -R288-	14	Front right bass loudspeaker -R23-	33	Front right loudspeaker -R3-
15		15		34	Front right loudspeaker -R3-
16	Noise cancellation microphone 2 -R286-	16	Subwoofer -R211-	35	Front left loudspeaker -R2-
17	Noise cancellation microphone 2 -R286-	17		36	Front left loudspeaker -R2-
18		18		37	Front left mid-range loudspeaker -R103-
		19	Rear left bass loudspeaker -R15- / Rear left treble loudspeaker -R14-	38	Front left mid-range loudspeaker -R103-

Back to overview ⇒ [page 1](#) .

1.34 Fitting location digital sound package control unit -J525- , Bose Surround Sound (8RY), from model year 2015

Fitting location

In luggage compartment on left, behind side trim -1-

1 - Digital sound package control unit -J525-

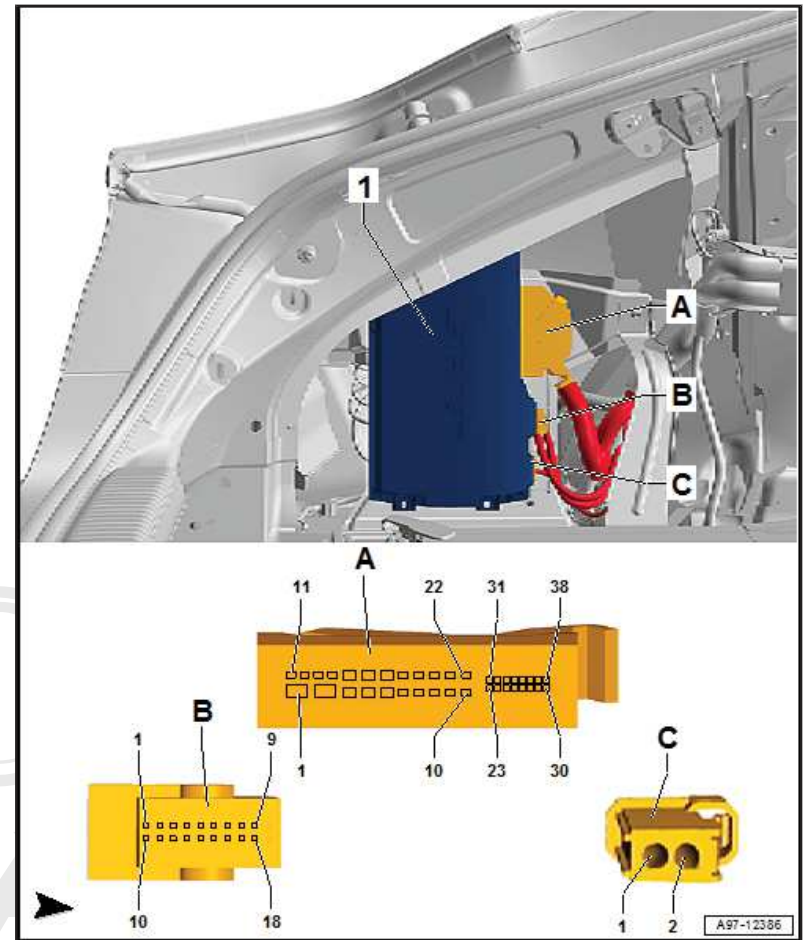
A - 38-pin connector -T38- , black

- Connector assignment in conjunction with Radio (8DN, 8DP, 8DS) ⇒ [page 46](#)
- Connector assignment in conjunction with MMI Navigation plus (I8H) ⇒ [page 48](#)

B - 18-pin connector -T18i- , black

- Connector assignment in conjunction with Radio (8DN, 8DP, 8DS) ⇒ [page 46](#)
- Connector assignment in conjunction with MMI Navigation plus (I8H) ⇒ [page 48](#)

C - 2-pin connector -T2ca- , MOST bus, black



Protected by copyright. Copying for private or commercial purposes, in part or in whole, is not permitted unless authorised by AUDI AG. AUDI AG does not guarantee or accept any liability with respect to the correctness of information in this document. Copyright by AUDI AG.

Connector assignment digital sound package control unit -J525- , Radio (8DN, 8DP, 8DS)

-T18i- (B)	Designation	-T38- (A)	Designation	-T38- (A)	Designation
1		1	Terminal 30, from fuse carrier 4 -ST4- in fuse holder F -SF-	20	Front right mid-range loudspeaker -R104-
2		2	Terminal 31, to 50 earth point on left in luggage compartment	21	Front right loudspeaker -R3-
3		3	Rear right bass loudspeaker -R17- Rear right treble loudspeaker -R16-	22	Front left loudspeaker -R2-

-T18i- (B)	Designation	-T38- (A)	Designation	-T38- (A)	Designation
4		4	Front left bass loudspeaker -R21-	23	
5		5	Subwoofer -R211-	24	
6	Noise cancellation microphone 3 -R287- ¹⁾	6		25	Ring break diagnostic cable to connection 1 (diagnosis) in main wiring harness B444
7	Noise cancellation microphone 3 -R287- ¹⁾	7	Front left mid-range loudspeaker -R103-	26	
8	Noise cancellation microphone 4 -R288- ¹⁾	8	Front right mid-range loudspeaker -R104-	27	
9	Noise cancellation microphone 4 -R288- ¹⁾	9	Front right loudspeaker -R3-	28	Screen earth for internal microphone -R74- in the microphone unit in front roof module -R164-
10	Engine control unit -J623- / Power unit mounting control unit -J931- ¹⁾	10	Front left loudspeaker -R2-	29	Internal microphone -R74- in the microphone unit in front roof module -R164-
11	Terminal 31, to 397 earth connection 32 in main wiring harness ¹⁾	11	Front right bass loudspeaker -R23-	30	Internal microphone -R74- in the microphone unit in front roof module -R164-
12		12	Front right bass loudspeaker -R23-	31	Centre loudspeaker -R208-
13	Noise cancellation microphone 2 -R286- ¹⁾	13	Rear left bass loudspeaker -R15- / Rear left treble loudspeaker -R14-	32	Centre loudspeaker -R208-
14	Noise cancellation microphone 2 -R286- ¹⁾	14	Rear left bass loudspeaker -R15- / Rear left treble loudspeaker -R14-	33	Left effect loudspeaker -R209-
15		15	Rear right bass loudspeaker -R17- Rear right treble loudspeaker -R16-	34	Left effect loudspeaker -R209-
16	Noise cancellation microphone 1 -R285- ¹⁾	16	Front left bass loudspeaker -R21-	35	
17	Noise cancellation microphone 1 -R285- ¹⁾	17	Subwoofer -R211-	36	
18		18		37	Right effect loudspeaker -R210-
		19	Front left mid-range loudspeaker -R103-	38	Right effect loudspeaker -R210-

¹⁾ Only models with noise compensation ANC (EP1)

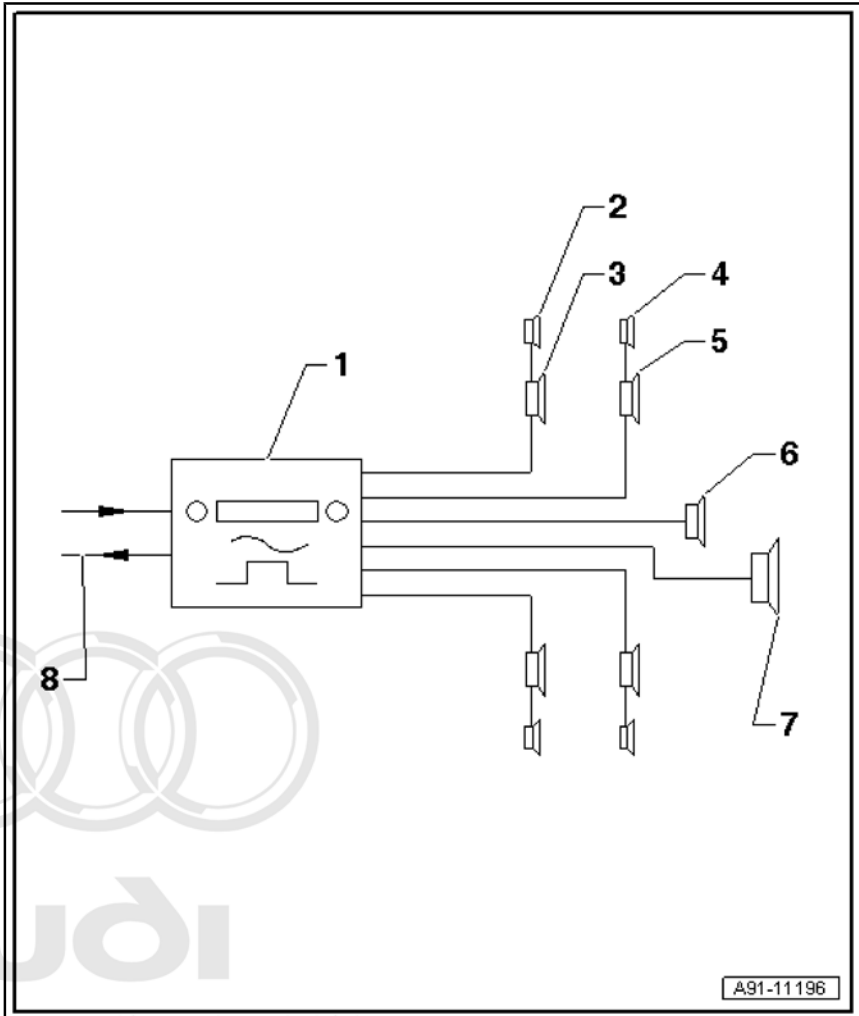
Back to overview ⇒ [page 1](#) .

Connector assignment digital sound package control unit -J525- , MMI Navigation plus (I8H)

-T18i- (B)	Designation	-T38- (A)	Designation	-T38- (A)	Designation
1		1	Terminal 30, from fuse carrier 4 -ST4- in fuse holder F -SF-	20	Rear right bass loudspeaker -R17- Rear right treble loudspeaker -R16-
2		2	Terminal 31, to ⁽⁵⁰⁾ earth point on left in luggage compartment	21	Left effect loudspeaker -R209-
3		3		22	Right effect loudspeaker -R210-
4		4	Subwoofer -R211-	23	
5		5		24	
6	Noise cancellation microphone 3 -R287- ¹⁾	6		25	Ring break diagnostic cable to ^(B444) connection 1 (diagnosis) in main wiring harness
7	Noise cancellation microphone 3 -R287- ¹⁾	7	Rear left bass loudspeaker -R15- / Rear left treble loudspeaker -R14-	26	Front right mid-range loudspeaker -R104-
8	Noise cancellation microphone 1 -R285- ¹⁾	8	Rear right bass loudspeaker -R17- Rear right treble loudspeaker -R16-	27	Front right mid-range loudspeaker -R104-
9	Noise cancellation microphone 1 -R285- ¹⁾	9	Left effect loudspeaker -R209-	28	Screen earth for internal microphone -R74- in the microphone unit in front roof module -R164-
10	Engine control unit -J623- / Power unit mounting control unit -J931- ¹⁾	10	Right effect loudspeaker -R210-	29	Internal microphone -R74- in the microphone unit in front roof module -R164-
11	Terminal 31, to ⁽³⁹⁷⁾ earth connection 32 in main wiring harness ¹⁾	11	Front left bass loudspeaker -R21-	30	Internal microphone -R74- in the microphone unit in front roof module -R164-
12		12	Front left bass loudspeaker -R21-	31	Centre loudspeaker -R208-
13	Noise cancellation microphone 4 -R288- ¹⁾	13	Front right bass loudspeaker -R23-	32	Centre loudspeaker -R208-
14	Noise cancellation microphone 4 -R288- ¹⁾	14	Front right bass loudspeaker -R23-	33	Front right loudspeaker -R3-
15		15		34	Front right loudspeaker -R3-
16	Noise cancellation microphone 2 -R286- ¹⁾	16	Subwoofer -R211-	35	Front left loudspeaker -R2-
17	Noise cancellation microphone 2 -R286- ¹⁾	17		36	Front left loudspeaker -R2-
18		18		37	Front left mid-range loudspeaker -R103-
		19	Rear left bass loudspeaker -R15- / Rear left treble loudspeaker -R14-	38	Front left mid-range loudspeaker -R103-

¹⁾ Only models with noise compensation ANC (EP1)

- 1 - Digital sound package control unit - J525- located in luggage compartment (rear left)
- 2 - Front left treble loudspeaker - R20- / front right treble loudspeaker - R22- in dash panel
- 3 - Front left bass loudspeaker - R21- / front right bass loudspeaker - R23- in front doors (bottom)
- 4 - Rear left treble loudspeaker - R14- / rear right treble loudspeaker - R16- in rear doors (top)
- 5 - Rear left bass loudspeaker - R15- / rear right bass loudspeaker - R17- in rear doors (bottom)
- 6 - Centre loudspeaker - R208- in dash panel (centre)
- 7 - Subwoofer - R211- in rear shelf, Saloon
- Subwoofer - R211- in spare wheel well, Avant
- 8 - MOST bus
- 9 - ANC microphones in headliner



Protected by copyright. Copying for private or commercial purposes, in part or in whole, is not permitted unless authorised by AUDI AG. AUDI AG does not guarantee or accept any liability with respect to the correctness of information in this document. Copyright by AUDI AG.

8RY - Sound system premium, BOSE, up to model year 2014

- ◆ Two loudspeakers in each front door (left and right)
- ◆ Three loudspeakers in dash panel (left, centre and right)
- ◆ Two loudspeakers in each rear door (left and right)
- ◆ One loudspeaker on each side of rear shelf (Saloon)
- ◆ One loudspeaker in D-pillars on left and right (Avant)
- ◆ Subwoofer - R211- in rear shelf, Saloon
- ◆ Subwoofer - R211- in spare wheel well, Avant
- ◆ Digital sound package control unit - J525-

The sound system is available with ANC (EP1) or without ANC (EP0).

1 - Digital sound package control unit - J525- located in luggage compartment (rear left)

2 - Front left treble loudspeaker - R20- / front right treble loudspeaker - R22- in dash panel

3 - Front left mid-range loudspeaker - R103- / front right mid-range loudspeaker - R104- in front doors (centre)

4 - Front left bass loudspeaker - R21- / front right bass loudspeaker - R23- in front doors (bottom)

5 - Rear left treble loudspeaker - R14- / rear right treble loudspeaker - R16- in rear doors (top)

6 - Rear left mid-range and bass loudspeaker - R159- / rear right mid-range and bass loudspeaker - R160- in rear doors (bottom)

7 - Centre loudspeaker - R208- in dash panel (centre)

8 - Left effect loudspeaker - R209- / right effect loudspeaker - R210- in rear shelf (left and right), Saloon

- Left effect loudspeaker - R209- / right effect loudspeaker - R210- in left and right D-pillars, Avant

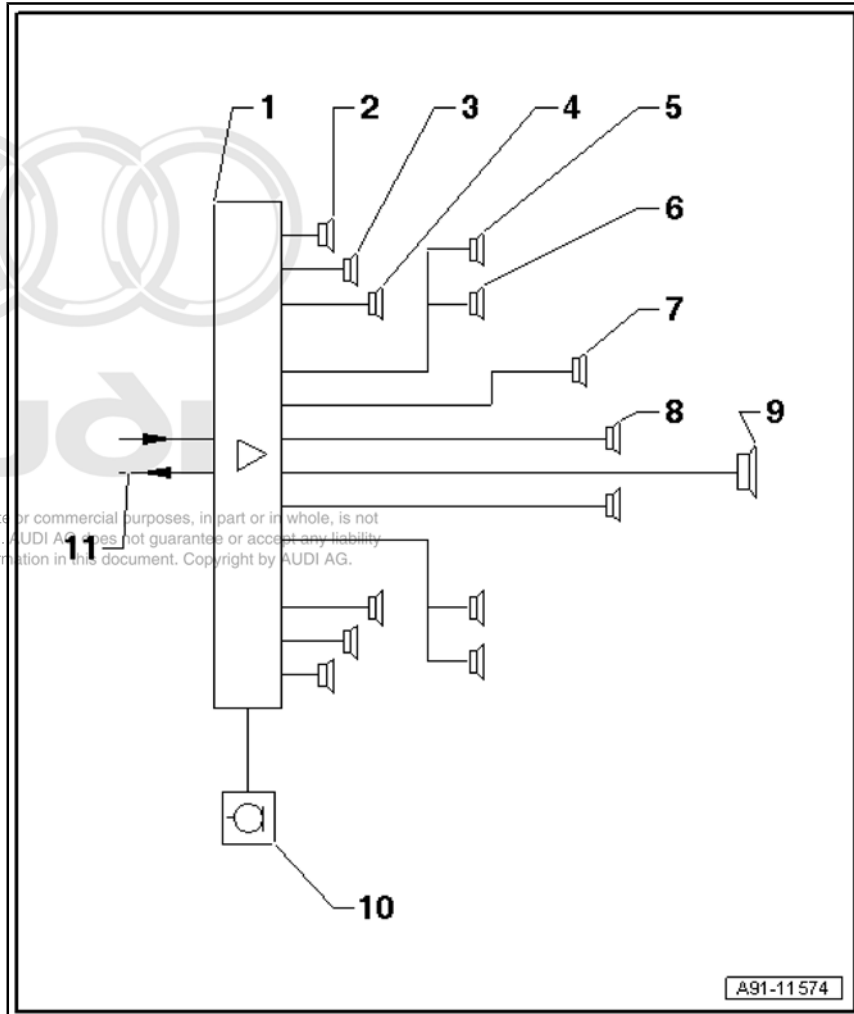
9 - Subwoofer - R211- in rear shelf, Saloon

- Subwoofer - R211- in spare wheel well, Avant

10 - Internal microphone - R74- , microphone unit in front roof module - R164- in front interior light - W1-

- ANC microphones in headliner

11 - MOST bus



8RY - Sound system premium, BOSE, from model year 2015 onwards

- ◆ Two loudspeakers in each front door (left and right)
- ◆ Three loudspeakers in dash panel (left, centre and right)
- ◆ Two loudspeakers in each rear door (left and right)
- ◆ One loudspeaker on each side of rear shelf, Saloon
- ◆ One loudspeaker in D-pillars (left and right), Avant
- ◆ Subwoofer - R211- in rear shelf, Saloon
- ◆ Subwoofer - R211- in spare wheel well, Avant
- ◆ Digital sound package control unit - J525-

The sound system is available with ANC (EP1) or without ANC (EP0).

1 - Digital sound package control unit - J525- located in luggage compartment (rear left)

2 - Front left loudspeaker - R2- / front right loudspeaker - R3- in dash panel

3 - Front left mid-range loudspeaker - R103- / front right mid-range loudspeaker - R104- in front doors (centre)

4 - Front left bass loudspeaker - R21- / front right bass loudspeaker - R23- in front doors (bottom)

5 - Rear left treble loudspeaker - R14- / rear right treble loudspeaker - R16- in rear doors (top)

6 - Rear left bass loudspeaker - R15- / rear right bass loudspeaker - R17- in rear doors (bottom)

7 - Centre loudspeaker - R208- in dash panel (centre)

8 - Left effect loudspeaker - R209- / right effect loudspeaker - R210- in rear shelf (left and right), Saloon

- Left effect loudspeaker - R209- / right effect loudspeaker - R210- in left and right D-pillars, Avant

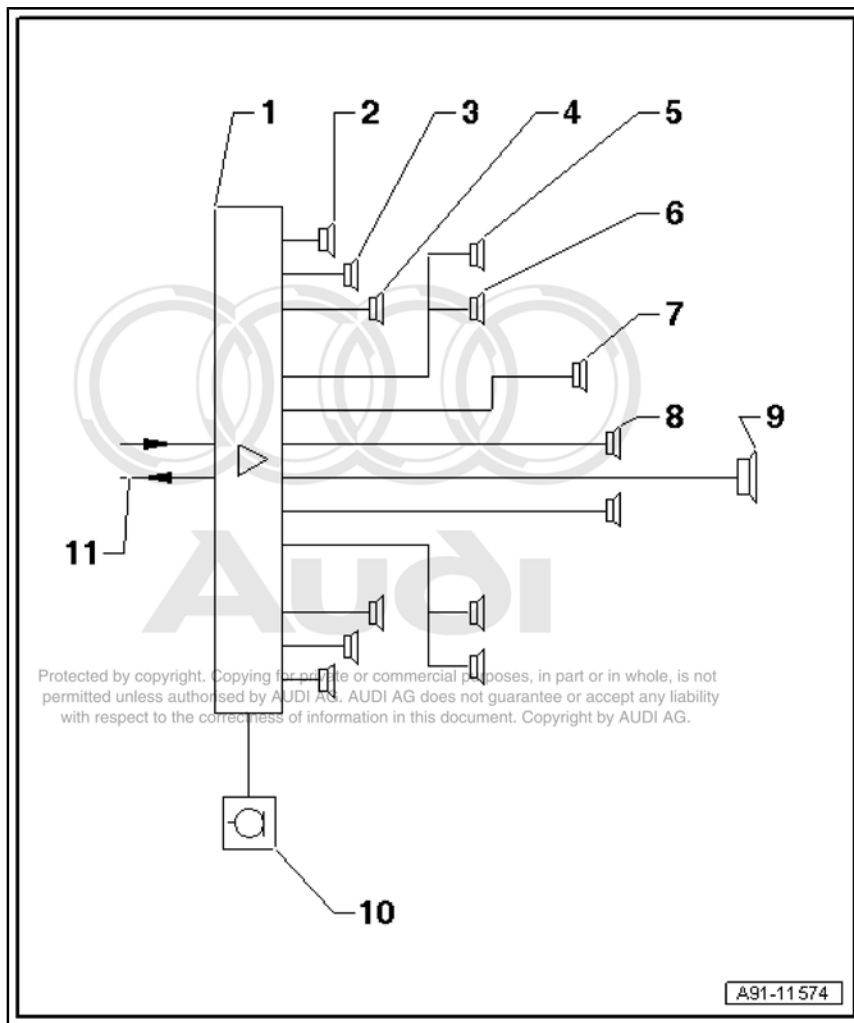
9 - Subwoofer - R211- in rear shelf, Saloon

- Subwoofer - R211- in spare wheel well, Avant

10 - Internal microphone - R74- , microphone unit in front roof module - R164- in front interior light - W1-

- ANC microphones in headliner

11 - MOST bus

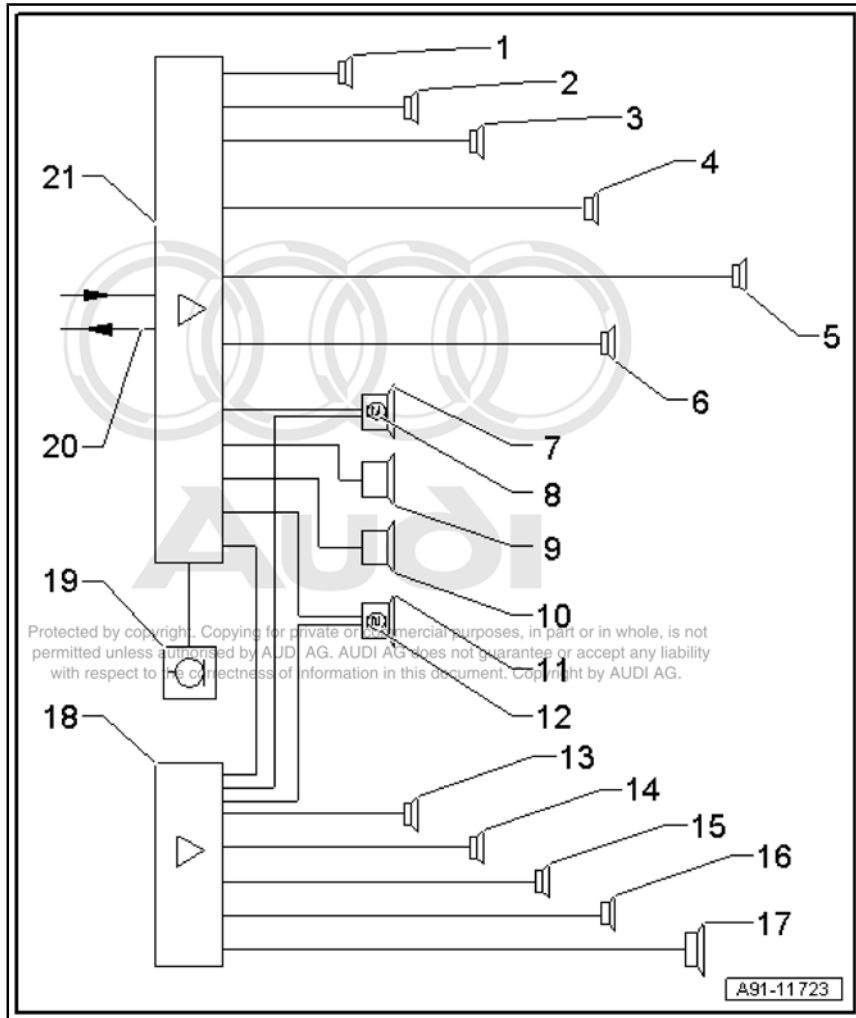


8RF - Sound system advanced, Bang & Olufsen, up to model year 2014

- ◆ Two loudspeakers in each front door (left and right)
- ◆ One loudspeaker on each side of dash panel
- ◆ Two loudspeakers in centre of dash panel
- ◆ Two loudspeakers in each rear door (left and right)
- ◆ One loudspeaker on each side of rear shelf, Saloon
- ◆ One loudspeaker in D-pillars (left and right), Avant
- ◆ Subwoofer - R211- in rear shelf, Saloon

- ◆ Subwoofer - R211- in spare wheel well, Avant
- ◆ Digital sound package control unit - J525-
- ◆ Digital sound package control unit 2 - J787-

- 1 - Front left mid-range loudspeaker - R103- in front left door (centre)
- 2 - Front right mid-range loudspeaker - R104- in front right door (centre)
- 3 - Rear left treble loudspeaker - R14- in rear left door (top)
- 4 - Rear right treble loudspeaker - R16- in rear right door (top)
- 5 - Left effect loudspeaker - R209- in rear shelf, Saloon
 - Left effect loudspeaker - R209- in D-pillar, Avant
- 6 - Right effect loudspeaker - R210- in rear shelf, Saloon
 - Right effect loudspeaker - R210- in D-pillar, Avant
- 7 - Front left treble loudspeaker - R20- in dash panel (left-side)
- 8 - Control motor for front left treble speaker - V344-
- 9 - Centre loudspeaker - R208- in dash panel (centre)
- 10 - Centre loudspeaker 2 - R219- in dash panel (centre)
- 11 - Front right treble loudspeaker - R22- in dash panel (right-side)
- 12 - Control motor for front right treble loudspeaker - V345-



- 13 - Rear left mid-range and bass loudspeaker - R159- in rear left door (bottom)
- 14 - Rear right mid-range and bass loudspeaker - R160- in rear right door (bottom)
- 15 - Front left bass loudspeaker - R21- in front left door (bottom)
- 16 - Front right bass loudspeaker - R23- in front right door (bottom)
- 17 - Subwoofer - R211- in rear shelf, Saloon
 - Subwoofer - R211- in spare wheel well, Avant
- 18 - Digital sound package control unit 2 - J787- located in luggage compartment (rear left)
- 19 - Internal microphone - R74- , microphone unit in front roof module - R164- in front interior light - W1-
 - ANC microphones in headliner
- 20 - MOST bus
- 21 - Digital sound package control unit - J525- located in luggage compartment (rear left)

2 Sound system

⇒ [“2.1 Layout - sound system”, page 36](#)

⇒ [“2.2 Overview of fitting locations - sound system”, page 45](#)

⇒ [“2.3 Overview of fitting locations - ANC microphones”, page 56](#)

⇒ [“2.4 Removing and installing digital sound package control unit/ amplifier”, page 57](#)

⇒ [“2.5 Removing and installing rear treble loudspeakers R14 / R16”, page 68](#)

⇒ [“2.6 Removing and installing front treble loudspeakers R20 / R22”, page 68](#)

⇒ [“2.7 Removing and installing rear mid-range loudspeaker”, page 70](#)

⇒ [“2.8 Removing and installing front mid-range loudspeakers”, page 70](#)

⇒ [“2.9 Removing and installing rear mid-range and bass loudspeakers”, page 71](#)

⇒ [“2.10 Removing and installing rear bass loudspeakers R15 / R17”, page 73](#)

⇒ [“2.11 Removing and installing front bass loudspeakers R21 / R23”, page 74](#)

⇒ [“2.12 Removing and installing subwoofer R211”, page 76](#)

⇒ [“2.13 Removing and installing effect loudspeakers”, page 79](#)

⇒ [“2.14 Removing and installing centre loudspeaker”, page 81](#)

⇒ [“2.15 Removing and installing ANC microphones”, page 82](#)

⇒ [“2.16 Pin assignment”, page 83](#)

2.1 Layout - sound system

The following systems are available: Protected by copyright. Copying for private or commercial purposes, in part or in whole, is not unless authorised by AUDI AG. AUDI AG does not guarantee or accept any liability with respect to the correctness of information in this document. Copyright by AUDI AG.

- ◆ 8RX - Sound system basic ⇒ [page 36](#)
- ◆ 9VD - Sound system standard, up to model year 2014 ⇒ [page 37](#)
- ◆ 9VD - Sound system standard, EP0 (without ANC), from model year 2015 onwards ⇒ [page 37](#)
- ◆ 9VD - Sound system standard, EP1 (with ANC), from model year 2015 onwards ⇒ [page 38](#)
- ◆ 8RY - Sound system premium, BOSE, up to model year 2014 ⇒ [page 39](#)
- ◆ 8RY - Sound system premium, BOSE, from model year 2015 onwards ⇒ [page 39](#)
- ◆ 8RF - Sound system advanced, Bang & Olufsen, up to model year 2014 ⇒ [page 41](#)
- ◆ 8RF - Sound system advanced, Bang & Olufsen, from model year 2015 onwards ⇒ [page 43](#)

8RX - Sound system basic

- ◆ One loudspeaker in each front door (left and right)
- ◆ One loudspeaker on each side of dash panel

- ◆ Two loudspeakers in each rear door (left and right)
- 9VD - Sound system standard, up to model year 2014**
- ◆ One loudspeaker in each front door (left and right)
 - ◆ Three loudspeakers in dash panel (left, centre and right)
 - ◆ Two loudspeakers in each rear door (left and right)
 - ◆ Subwoofer - R211- in rear shelf, Saloon
 - ◆ Subwoofer - R211- in spare wheel well, Avant

1 - Radio - R- in luggage compartment (rear left), MMI

- Control unit 1 for information electronics - J794- in dash panel, RMC

2 - Front left treble loudspeaker - R20- / front right treble loudspeaker - R22- in dash panel

3 - Front left mid-range and bass loudspeaker - R101- / front right mid-range and bass loudspeaker - R102- in front doors (bottom)

4 - Rear left treble loudspeaker - R14- / rear right treble loudspeaker - R16- in rear doors (top)

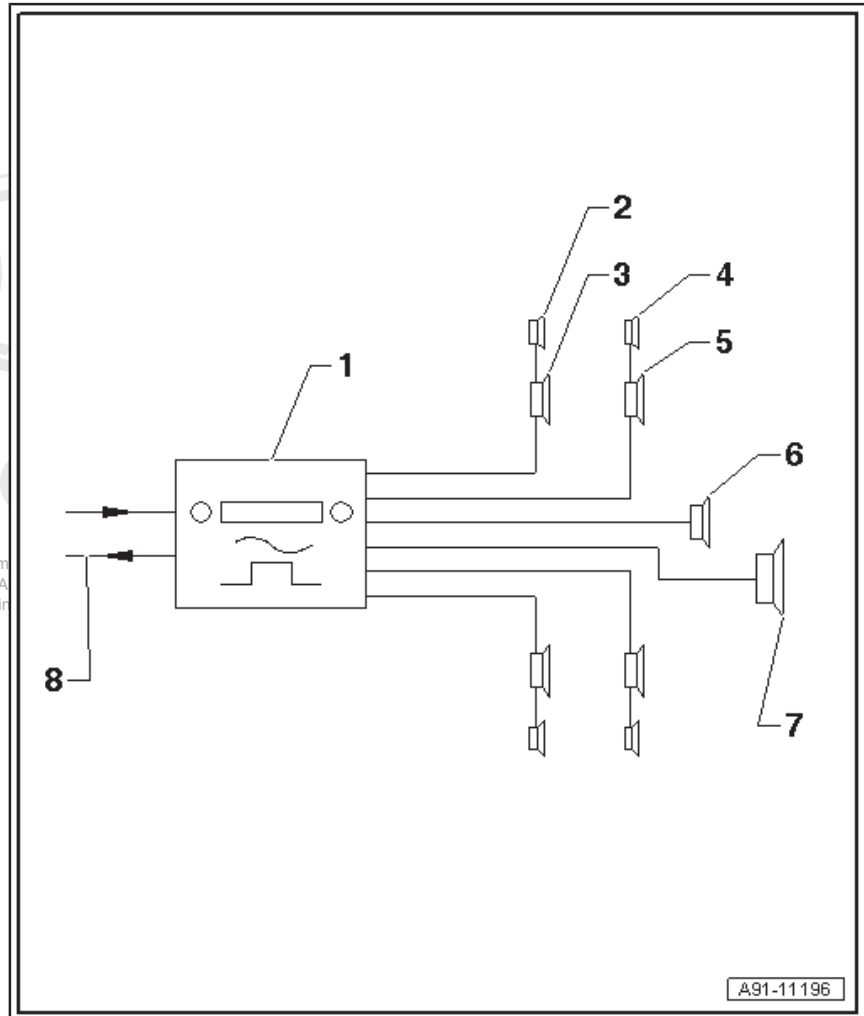
5 - Rear left mid-range and bass loudspeaker - R159- / rear right mid-range and bass loudspeaker - R160- in rear doors (bottom)

6 - Centre loudspeaker - R208- in dash panel (centre)

7 - Subwoofer - R211- in rear shelf, Saloon

- Subwoofer - R211- in spare wheel well, Avant

8 - MOST bus



9VD - Sound system standard, EP0 (without ANC), from model year 2015 onwards

- ◆ One loudspeaker in each front door (left and right)
- ◆ Three loudspeakers in dash panel (left, centre and right)
- ◆ Two loudspeakers in each rear door (left and right)
- ◆ Subwoofer - R211- in rear shelf, Saloon
- ◆ Subwoofer - R211- in spare wheel well, Avant

1 - Control unit 1 for information electronics - J794- in dash panel

2 - Front left treble loudspeaker - R20- / front right treble loudspeaker - R22- in dash panel

3 - Front left bass loudspeaker - R21- / front right bass loudspeaker - R23- in front doors (bottom)

4 - Rear left treble loudspeaker - R14- / rear right treble loudspeaker - R16- in rear doors (top)

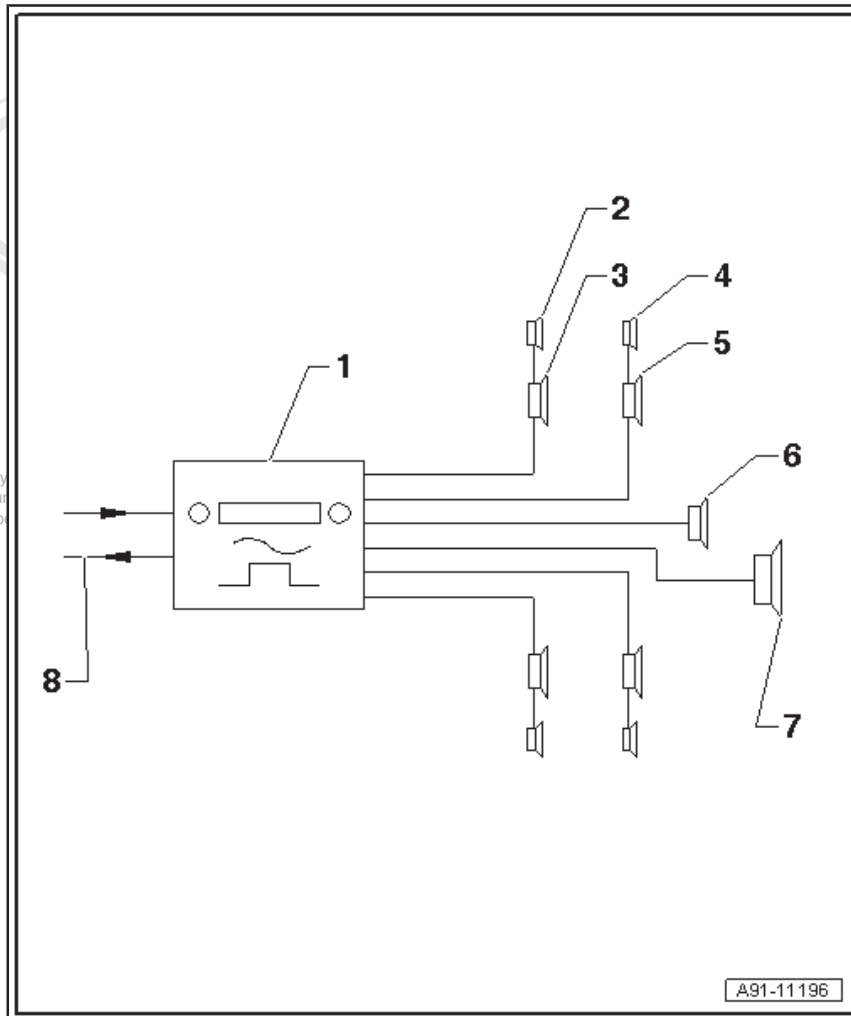
5 - Rear left bass loudspeaker - R15- / rear right bass loudspeaker - R17- in rear doors (bottom)

6 - Centre loudspeaker - R208- in dash panel (centre)

7 - Subwoofer - R211- in rear shelf, Saloon

- Subwoofer - R211- in spare wheel well, Avant

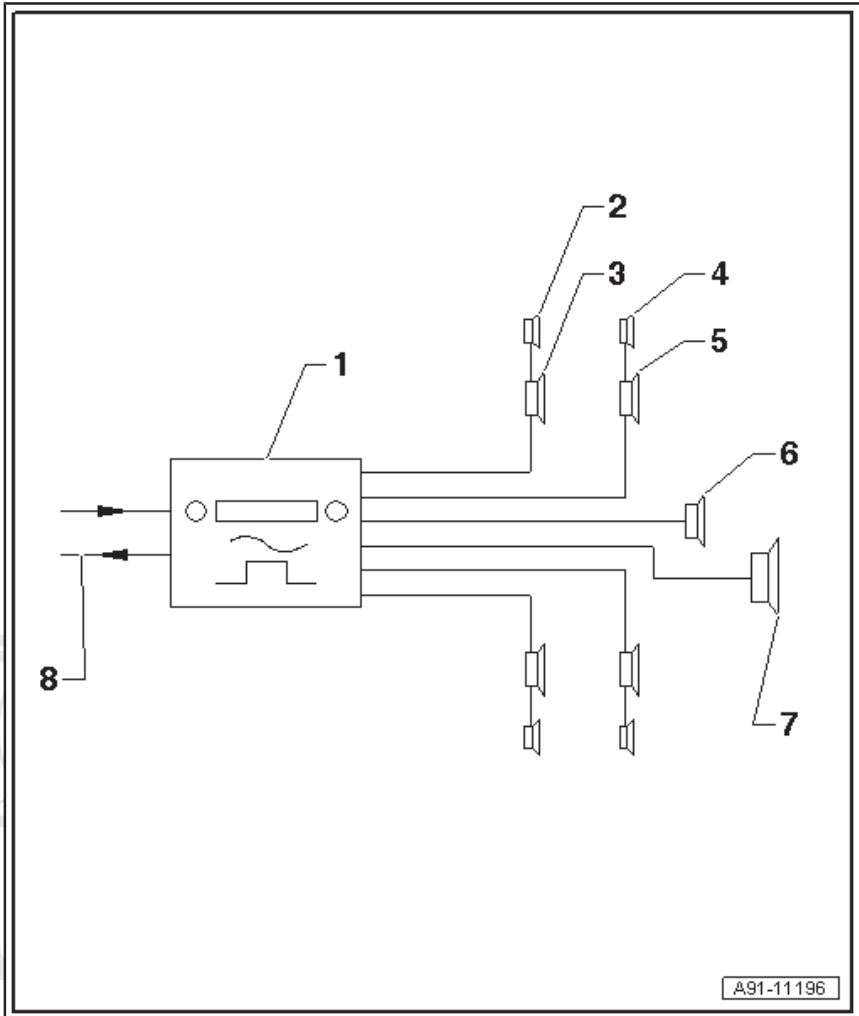
8 - MOST bus



9VD - Sound system standard, EP1 (with ANC), from model year 2015 onwards

- ◆ One loudspeaker in each front door (left and right)
- ◆ Three loudspeakers in dash panel (left, centre and right)
- ◆ Two loudspeakers in each rear door (left and right)
- ◆ Subwoofer - R211- in rear shelf, Saloon
- ◆ Subwoofer - R211- in spare wheel well, Avant
- ◆ Digital sound package control unit - J525-

- 1 - Digital sound package control unit - J525- located in luggage compartment (rear left)
- 2 - Front left treble loudspeaker - R20- / front right treble loudspeaker - R22- in dash panel
- 3 - Front left bass loudspeaker - R21- / front right bass loudspeaker - R23- in front doors (bottom)
- 4 - Rear left treble loudspeaker - R14- / rear right treble loudspeaker - R16- in rear doors (top)
- 5 - Rear left bass loudspeaker - R15- / rear right bass loudspeaker - R17- in rear doors (bottom)
- 6 - Centre loudspeaker - R208- in dash panel (centre)
- 7 - Subwoofer - R211- in rear shelf, Saloon
- Subwoofer - R211- in spare wheel well, Avant
- 8 - MOST bus
- 9 - ANC microphones in headliner



Protected by copyright. Copying for private or commercial purposes, in part or in whole, is not permitted unless authorised by AUDI AG. AUDI AG does not guarantee or accept any liability with respect to the correctness of information in this document. Copyright by AUDI AG.

8RY - Sound system premium, BOSE, up to model year 2014

- ◆ Two loudspeakers in each front door (left and right)
- ◆ Three loudspeakers in dash panel (left, centre and right)
- ◆ Two loudspeakers in each rear door (left and right)
- ◆ One loudspeaker on each side of rear shelf (Saloon)
- ◆ One loudspeaker in D-pillars on left and right (Avant)
- ◆ Subwoofer - R211- in rear shelf, Saloon
- ◆ Subwoofer - R211- in spare wheel well, Avant
- ◆ Digital sound package control unit - J525-

The sound system is available with ANC (EP1) or without ANC (EP0).

1 - Digital sound package control unit - J525- located in luggage compartment (rear left)

2 - Front left treble loudspeaker - R20- / front right treble loudspeaker - R22- in dash panel

3 - Front left mid-range loudspeaker - R103- / front right mid-range loudspeaker - R104- in front doors (centre)

4 - Front left bass loudspeaker - R21- / front right bass loudspeaker - R23- in front doors (bottom)

5 - Rear left treble loudspeaker - R14- / rear right treble loudspeaker - R16- in rear doors (top)

6 - Rear left mid-range and bass loudspeaker - R159- / rear right mid-range and bass loudspeaker - R160- in rear doors (bottom)

7 - Centre loudspeaker - R208- in dash panel (centre)

8 - Left effect loudspeaker - R209- / right effect loudspeaker - R210- in rear shelf (left and right), Saloon

- Left effect loudspeaker - R209- / right effect loudspeaker - R210- in left and right D-pillars, Avant

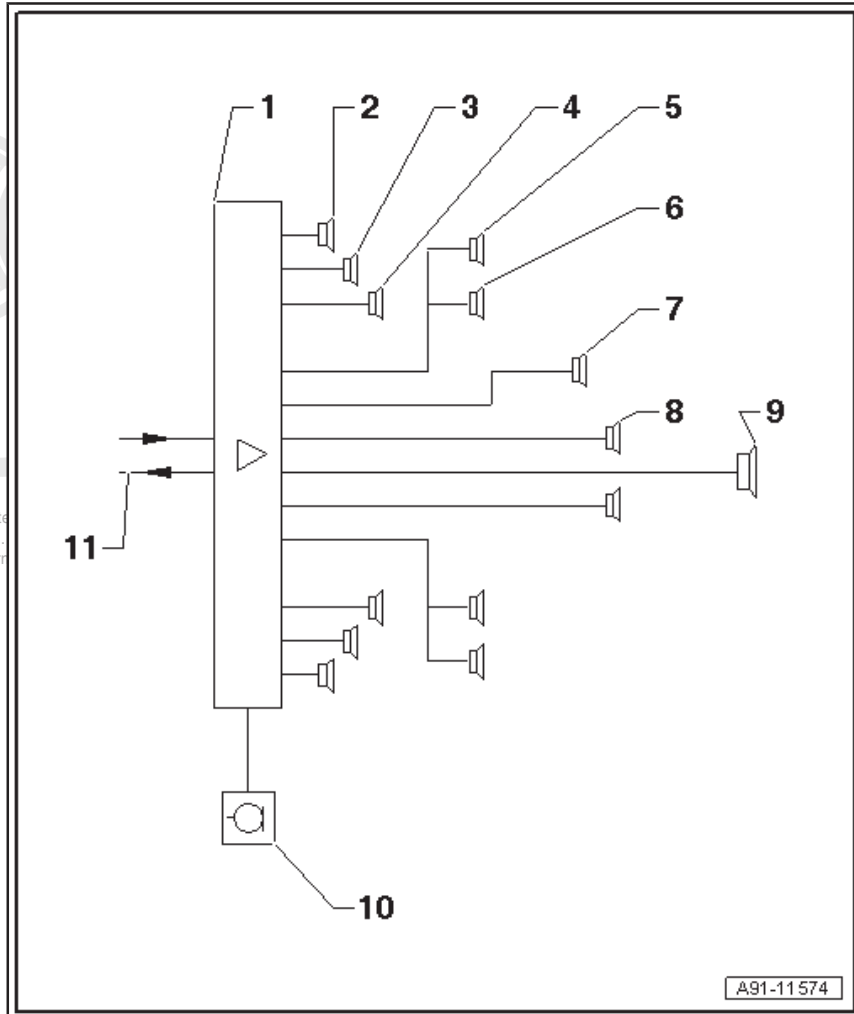
9 - Subwoofer - R211- in rear shelf, Saloon

- Subwoofer - R211- in spare wheel well, Avant

10 - Internal microphone - R74- , microphone unit in front roof module - R164- in front interior light - W1-

- ANC microphones in headliner

11 - MOST bus

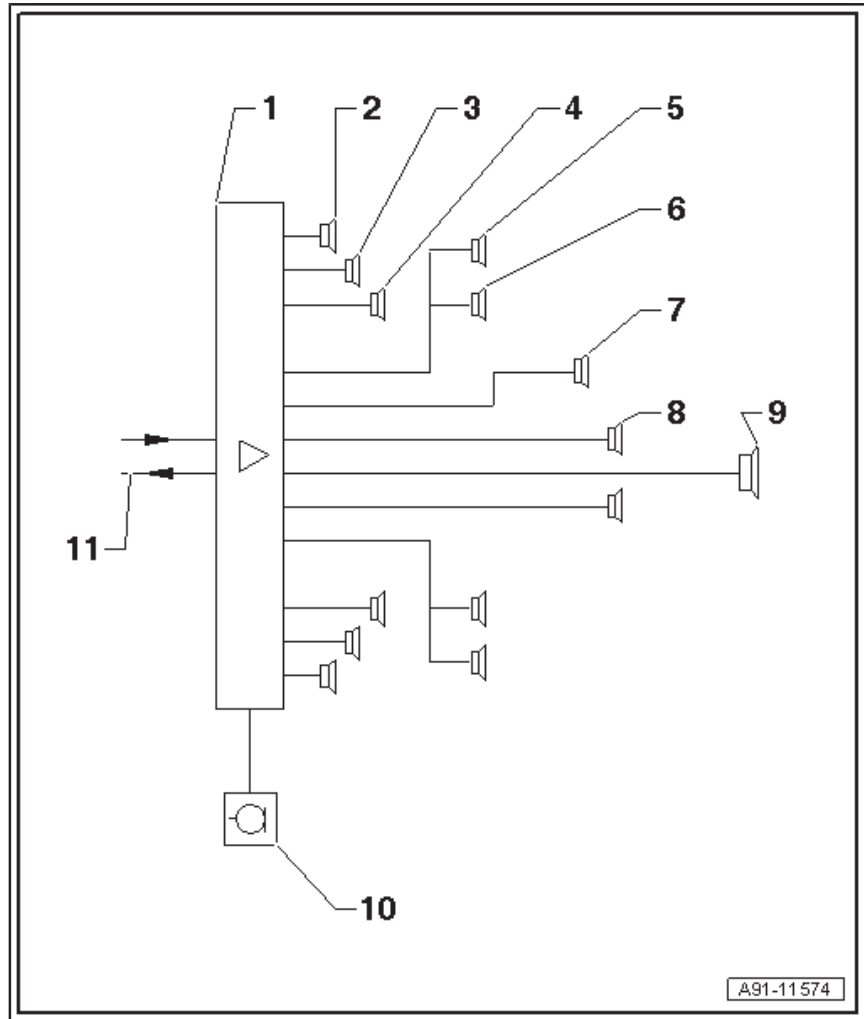


8RY - Sound system premium, BOSE, from model year 2015 onwards

- ◆ Two loudspeakers in each front door (left and right)
- ◆ Three loudspeakers in dash panel (left, centre and right)
- ◆ Two loudspeakers in each rear door (left and right)
- ◆ One loudspeaker on each side of rear shelf, Saloon
- ◆ One loudspeaker in D-pillars (left and right), Avant
- ◆ Subwoofer - R211- in rear shelf, Saloon
- ◆ Subwoofer - R211- in spare wheel well, Avant
- ◆ Digital sound package control unit - J525-

The sound system is available with ANC (EP1) or without ANC (EP0).

- 1 - Digital sound package control unit - J525- located in luggage compartment (rear left)
- 2 - Front left loudspeaker - R2- / front right loudspeaker - R3- in dash panel
- 3 - Front left mid-range loudspeaker - R103- / front right mid-range loudspeaker - R104- in front doors (centre)
- 4 - Front left bass loudspeaker - R21- / front right bass loudspeaker - R23- in front doors (bottom)
- 5 - Rear left treble loudspeaker - R14- / rear right treble loudspeaker - R16- in rear doors (top)
- 6 - Rear left bass loudspeaker - R15- / rear right bass loudspeaker - R17- in rear doors (bottom)
- 7 - Centre loudspeaker - R208- in dash panel (centre)
- 8 - Left effect loudspeaker - R209- / right effect loudspeaker - R210- in rear shelf (left and right), Saloon
- Left effect loudspeaker - R209- / right effect loudspeaker - R210- in left and right D-pillars, Avant
- 9 - Subwoofer - R211- in rear shelf, Saloon



- Subwoofer - R211- in spare wheel well, Avant

10 - Internal microphone - R74- , microphone unit in front roof module - R164- in front interior light - W1-
- ANC microphones in headliner

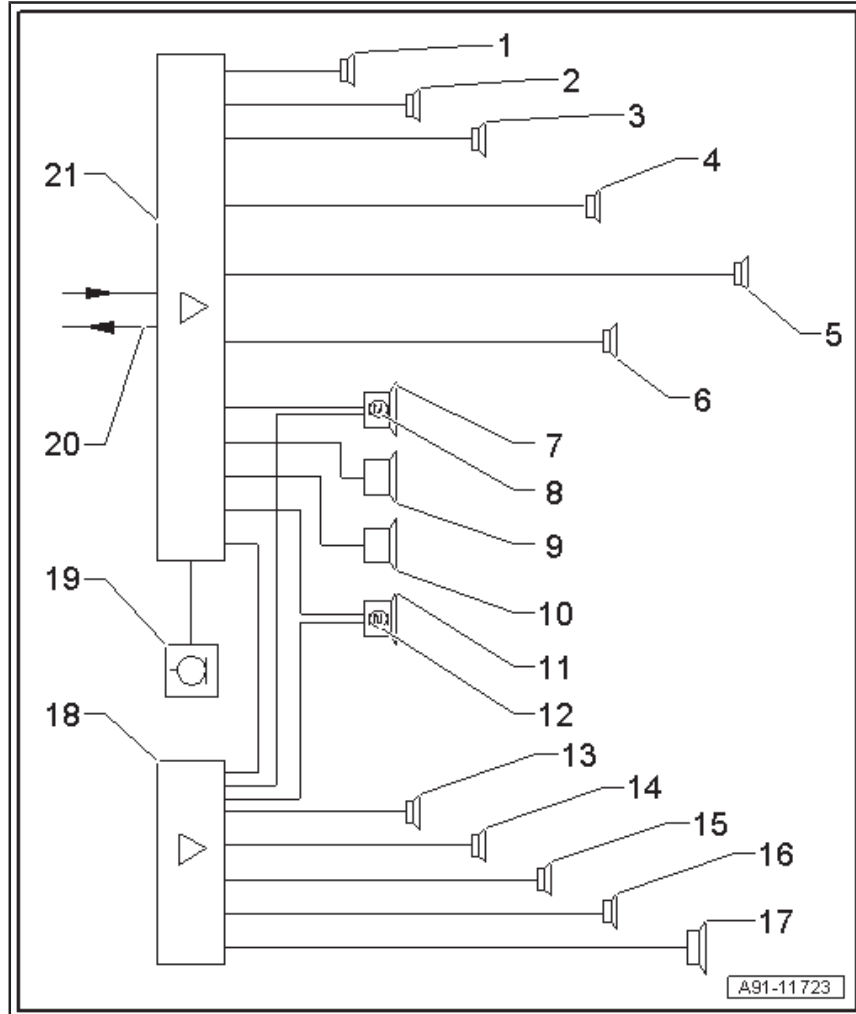
11 - MOST bus

8RF - Sound system advanced, Bang & Olufsen, up to model year 2014

- ◆ Two loudspeakers in each front door (left and right)
- ◆ One loudspeaker on each side of dash panel
- ◆ Two loudspeakers in centre of dash panel
- ◆ Two loudspeakers in each rear door (left and right)
- ◆ One loudspeaker on each side of rear shelf, Saloon
- ◆ One loudspeaker in D-pillars (left and right), Avant
- ◆ Subwoofer - R211- in rear shelf, Saloon

- ◆ Subwoofer - R211- in spare wheel well, Avant
- ◆ Digital sound package control unit - J525-
- ◆ Digital sound package control unit 2 - J787-

- 1 - Front left mid-range loudspeaker - R103- in front left door (centre)
- 2 - Front right mid-range loudspeaker - R104- in front right door (centre)
- 3 - Rear left treble loudspeaker - R14- in rear left door (top)
- 4 - Rear right treble loudspeaker - R16- in rear right door (top)
- 5 - Left effect loudspeaker - R209- in rear shelf, Saloon
- Left effect loudspeaker - R209- in D-pillar, Avant
- 6 - Right effect loudspeaker - R210- in rear shelf, Saloon
- Right effect loudspeaker - R210- in D-pillar, Avant
- 7 - Front left treble loudspeaker - R20- in dash panel (left-side)
- 8 - Control motor for front left treble speaker - V344-
- 9 - Centre loudspeaker - R208- in dash panel (centre)
- 10 - Centre loudspeaker 2 - R219- in dash panel (centre)
- 11 - Front right treble loudspeaker - R22- in dash panel (right-side)
- 12 - Control motor for front right treble loudspeaker - V345-



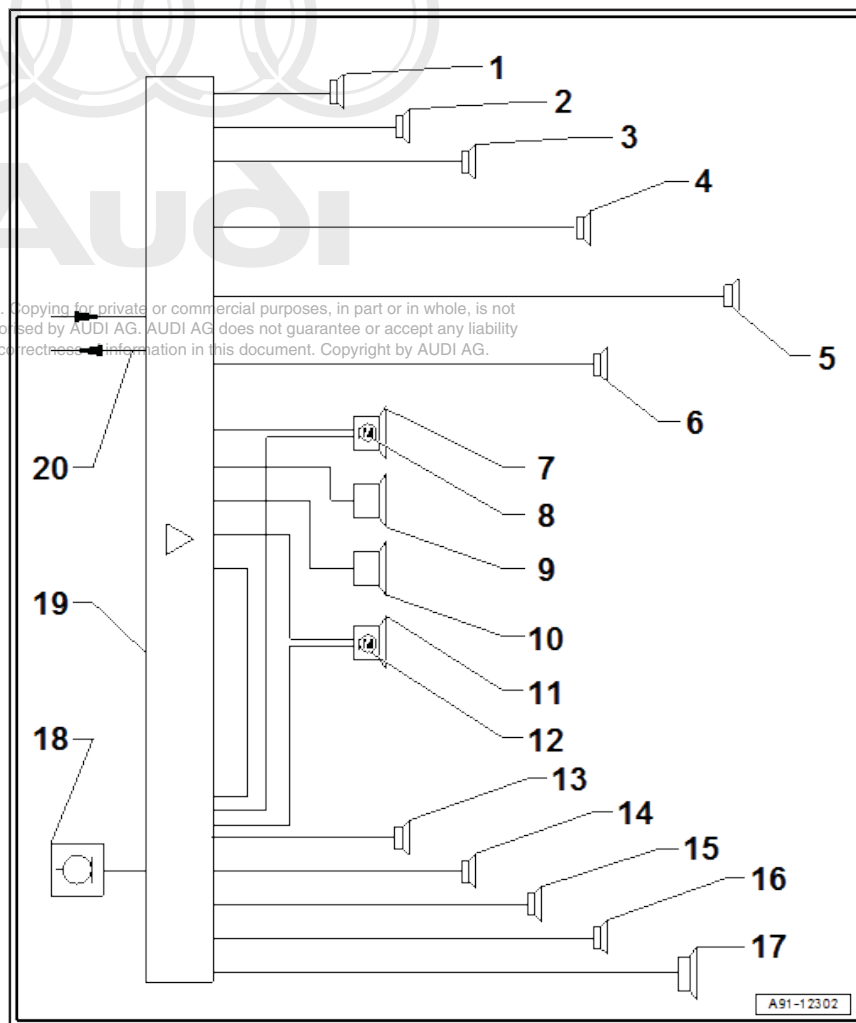
- 13 - Rear left mid-range and bass loudspeaker - R159- in rear left door (bottom)
- 14 - Rear right mid-range and bass loudspeaker - R160- in rear right door (bottom)
- 15 - Front left bass loudspeaker - R21- in front left door (bottom)
- 16 - Front right bass loudspeaker - R23- in front right door (bottom)
- 17 - Subwoofer - R211- in rear shelf, Saloon
- Subwoofer - R211- in spare wheel well, Avant
- 18 - Digital sound package control unit 2 - J787- located in luggage compartment (rear left)
- 19 - Internal microphone - R74- , microphone unit in front roof module - R164- in front interior light - W1-
- ANC microphones in headliner
- 20 - MOST bus
- 21 - Digital sound package control unit - J525- located in luggage compartment (rear left)

8RF - Sound system advanced, Bang & Olufsen, from model year 2015 onwards

- ◆ Two loudspeakers in each front door (left and right)
- ◆ One loudspeaker on each side of dash panel
- ◆ Two loudspeakers in centre of dash panel
- ◆ Two loudspeakers in each rear door (left and right)
- ◆ One loudspeaker on each side of rear shelf, Saloon
- ◆ One loudspeaker in D-pillars (left and right), Avant
- ◆ Subwoofer - R211- in rear shelf, Saloon
- ◆ Subwoofer - R211- in spare wheel well, Avant
- ◆ Digital sound package control unit - J525-

The sound system is available with ANC (EP1) or without ANC (EP0).

- 1 - Front left mid-range loudspeaker - R103- in front left door (centre)**
- 2 - Front right mid-range loudspeaker - R104- in front right door (centre)**
- 3 - Rear left mid-range loudspeaker - R105- in rear left door (top)**
- 4 - Rear right mid-range loudspeaker - R106- in rear right door (top)**
- 5 - Left effect loudspeaker - R209- in rear shelf, Saloon**
- Left effect loudspeaker - R209- in D-pillar, Avant
- 6 - Right effect loudspeaker - R210- in rear shelf, Saloon**
- Right effect loudspeaker - R210- in D-pillar, Avant





- 7 - Front left treble loudspeaker - R20- in dash panel (left-side)
- 8 - Control motor for front left treble speaker - V344-
- 9 - Centre loudspeaker - R208- in dash panel (centre)
- 10 - Centre loudspeaker 2 - R219- in dash panel (centre)
- 11 - Front right treble loudspeaker - R22- in dash panel (right-side)
- 12 - Control motor for front right treble loudspeaker - V345-
- 13 - Rear left bass loudspeaker - R15- in rear left door (bottom)
- 14 - Rear right bass loudspeaker - R17- in rear right door (bottom)
- 15 - Front left bass loudspeaker - R21- in front left door (bottom)
- 16 - Front right bass loudspeaker - R23- in front right door (bottom)
- 17 - Subwoofer - R211- in rear shelf, Saloon
- Subwoofer - R211- in spare wheel well, Avant
- 18 - Internal microphone - R74- , microphone unit in front roof module - R164- in front interior light - W1-
- ANC microphones in headliner
- 19 - Digital sound package control unit - J525- located in luggage compartment (rear left)
- 20 - MOST bus

Notes on MOST bus

In addition to the CAN bus, the fibre optic data bus "MOST bus" is used.

A fibre optic cable is used. The fibre optic cables are fitted in corrugated tubes for protection.

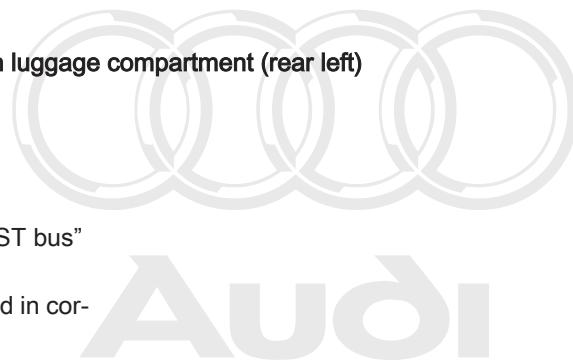
Renew the complete fibre optic cable whenever possible.

The end faces of the connectors must not become dirty.

If connectors are unplugged: fit a protective cap for cable connector - VAS 6223/9- .

When installing the fibre optic cables, be sure to observe the minimum bending radius of 25 mm. Do not crush or kink the fibre optic cables.

Repairing fibre optic cables ⇒ Electrical system; Rep. gr. 97 ;
Fibre optic cables .



Protected by copyright. Copying for private or commercial purposes, in part or in whole, is not permitted unless authorised by AUDI AG. AUDI AG does not guarantee or accept any liability with respect to the correctness of information in this document. Copyright by AUDI AG.



2.2 Overview of fitting locations - sound system

⇒ [“2.2.1 Overview of fitting locations - sound system, loudspeakers \(standard/BOSE\), Saloon”, page 45](#)

⇒ [“2.2.2 Overview of fitting locations - sound system, loudspeakers \(standard, BOSE\), Avant”, page 47](#)

⇒ [“2.2.3 Overview of fitting locations - sound system, loudspeakers \(Bang & Olufsen\), Saloon”, page 49](#)

⇒ [“2.2.4 Overview of fitting locations - sound system, loudspeakers \(Bang & Olufsen\), Avant”, page 51](#)

⇒ [“2.2.5 Overview of fitting locations - sound system, sound amplifiers, microphones \(BOSE\), up to model year 2014”, page 52](#)

⇒ [“2.2.6 Overview of fitting locations - sound system, sound amplifiers, microphones \(standard/BOSE\), from model year 2015 onwards”, page 53](#)

⇒ [“2.2.7 Overview of fitting locations - sound system, sound amplifiers, microphones \(Bang & Olufsen\), up to model year 2014”, page 54](#)

⇒ [“2.2.8 Overview of fitting locations - sound system, sound amplifiers, microphones \(Bang & Olufsen\), from model year 2015 onwards”, page 55](#)

2.2.1 Overview of fitting locations - sound system, loudspeakers (standard/BOSE), Saloon

Protected by copyright. Copying for private or commercial purposes, in part or in whole, is not permitted unless authorised by AUDI AG. AUDI AG does not guarantee or accept any liability for the content of this document. © AUDI AG.

1 - Front left bass loudspeaker - R21- / front right bass loudspeaker - R23- , standard

- Removing and installing => [page 74](#)

2 - Bolt

- 4x
- 3 Nm

3 - Bolt

- 2x
- 3 Nm

4 - Front left mid-range loudspeaker - R103- / front right mid-range loudspeaker - R104- , BOSE

- Removing and installing => [page 70](#)

5 - Bolt

- 2x
- 2 Nm

6 - Left effect loudspeaker - R209- / right effect loudspeaker - R210- , BOSE

- Removing and installing => [page 79](#)

7 - Subwoofer - R211- , standard

- Removing and installing => [page 76](#)

8 - Bolt

- 4x
- 3 Nm

9 - Subwoofer - R211- , BOSE

- Removing and installing => [page 77](#)

10 - Bolt

- 4x
- 3 Nm

11 - Rear left mid-range and bass loudspeaker - R159- / rear right mid-range and bass loudspeaker - R160-

- Removing and installing => [page 71](#)

- Rear left bass loudspeaker - R15- / rear right bass loudspeaker - R17-

- Removing and installing => [page 73](#)

12 - Bolt

- 3x
- 3 Nm

13 - Rear left treble loudspeaker - R14- / rear right treble loudspeaker - R16-

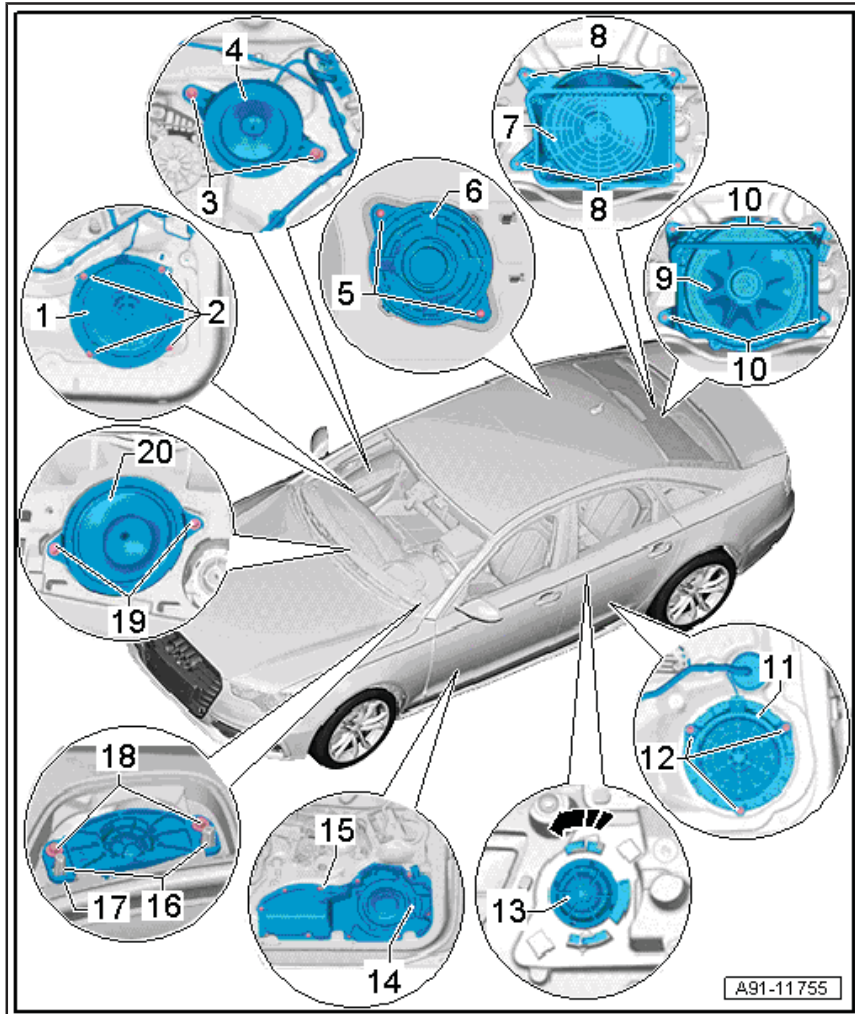
- Removing and installing => [page 68](#)

14 - Front left bass loudspeaker - R21- / front right bass loudspeaker - R23- , BOSE

- Removing and installing => [page 75](#)

15 - Bolt

- 10x



Protected by copyright. Copying for private or commercial purposes, in part or in whole, is not permitted without the express written permission of AUDI AG. AUDI AG does not assume any liability with respect to the correctness of information in this document. Copyright by AUDI AG.

- 3 Nm
- 16 - Centring pin**
- 17 - Front left treble loudspeaker - R20- / front right treble loudspeaker - R22-**
 - Removing and installing ⇒ [page 68](#)
- 18 - Bolt**
 - 2x
 - 2 Nm
- 19 - Bolt**
 - 2x
 - 2 Nm
- 20 - Centre loudspeaker - R208-**
 - Removing and installing ⇒ [page 81](#)

2.2.2 Overview of fitting locations - sound system, loudspeakers (standard, BOSE), Avant

1 - Front left bass loudspeaker - R21- / front right bass loudspeaker - R23- , standard

- Removing and installing ⇒ [page 74](#)

2 - Bolt

- 4x
- 3 Nm

3 - Bolt

- 2x
- 3 Nm

4 - Front left mid-range loudspeaker - R103- / front right mid-range loudspeaker - R104- , BOSE

- Removing and installing ⇒ [page 70](#)

5 - Bolt

- 2x
- 2 Nm

6 - Left effect loudspeaker - R209- / right effect loudspeaker - R210- , BOSE

- Removing and installing ⇒ [page 80](#)

7 - Bolt

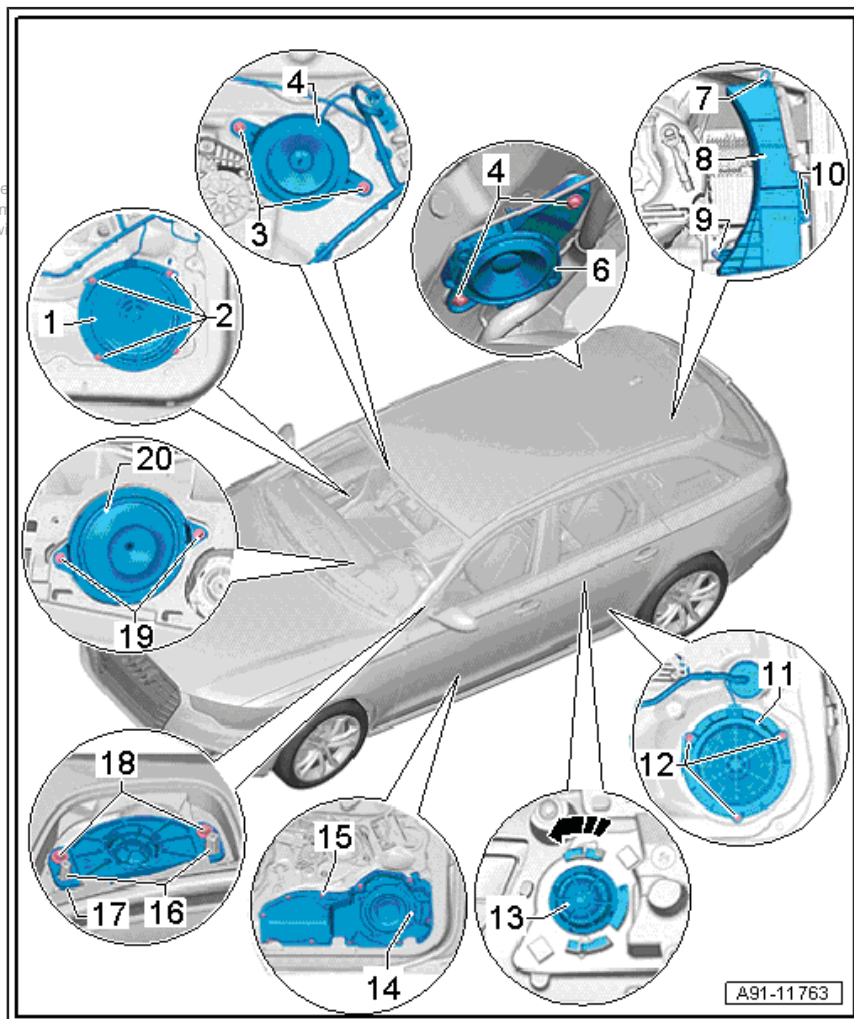
- 3 Nm

8 - Subwoofer - R211-

- Removing and installing ⇒ [page 78](#)

9 - Bolt

- 3 Nm





10 - Bolt

- 3 Nm

11 - Rear left mid-range and bass loudspeaker - R159- / rear right mid-range and bass loudspeaker - R160-

- Removing and installing ⇒ [page 71](#)

- Rear left bass loudspeaker - R15- / rear right bass loudspeaker - R17-

- Removing and installing ⇒ [page 73](#)

12 - Bolt

- 3x
- 3 Nm

13 - Rear left treble loudspeaker - R14- / rear right treble loudspeaker - R16-

- Removing and installing ⇒ [page 68](#)

14 - Front left bass loudspeaker - R21- / front right bass loudspeaker - R23- , BOSE

- Removing and installing ⇒ [page 75](#)
- Protected by copyright. Copying for private or commercial purposes, in part or in whole, is not permitted unless authorized by Audi. Audi does not guarantee or accept any liability with respect to the correctness of information in this document. Copyright by AUDI AG.

15 - Bolt

- 10x
- 3 Nm

16 - Centring pin

17 - Front left treble loudspeaker - R20- / front right treble loudspeaker - R22-

- Removing and installing ⇒ [page 68](#)

18 - Bolt

- 2x
- 2 Nm

19 - Bolt

- 2x
- 2 Nm

20 - Centre loudspeaker - R208-

- Removing and installing ⇒ [page 81](#)

2.2.3 Overview of fitting locations - sound system, loudspeakers (Bang & Olufsen), Saloon

1 - Bolt

- 2x
- 2 Nm

2 - Front right treble loudspeaker - R22- / front left treble loudspeaker - R20-

- With control motor for front left treble loudspeaker - V344- / control motor for front right treble loudspeaker - V345-
- Removing and installing ⇒ [page 69](#)

3 - Centring pin

4 - Bolt

- 3x
- 2 Nm

5 - Left effect loudspeaker - R209- / right effect loudspeaker - R210-

Removing and installing ⇒ [page 79](#)

6 - Bolt

- 5 Nm

7 - Subwoofer - R211-

- Removing and installing (from week 08/2013 onwards) ⇒ [page 78](#)

8 - Nut

- 5 Nm

9 - Bolt

- 5 Nm

10 - Subwoofer - R211-

- Removing and installing (up to week 07/2013) ⇒ [page 77](#)

11 - Bolt

- 4x
- 2 Nm

12 - Rear left treble loudspeaker - R14- / rear right treble loudspeaker - R16-

- Removing and installing ⇒ [page 68](#)

- Rear left mid-range loudspeaker - R105- / rear right mid-range loudspeaker - R106-

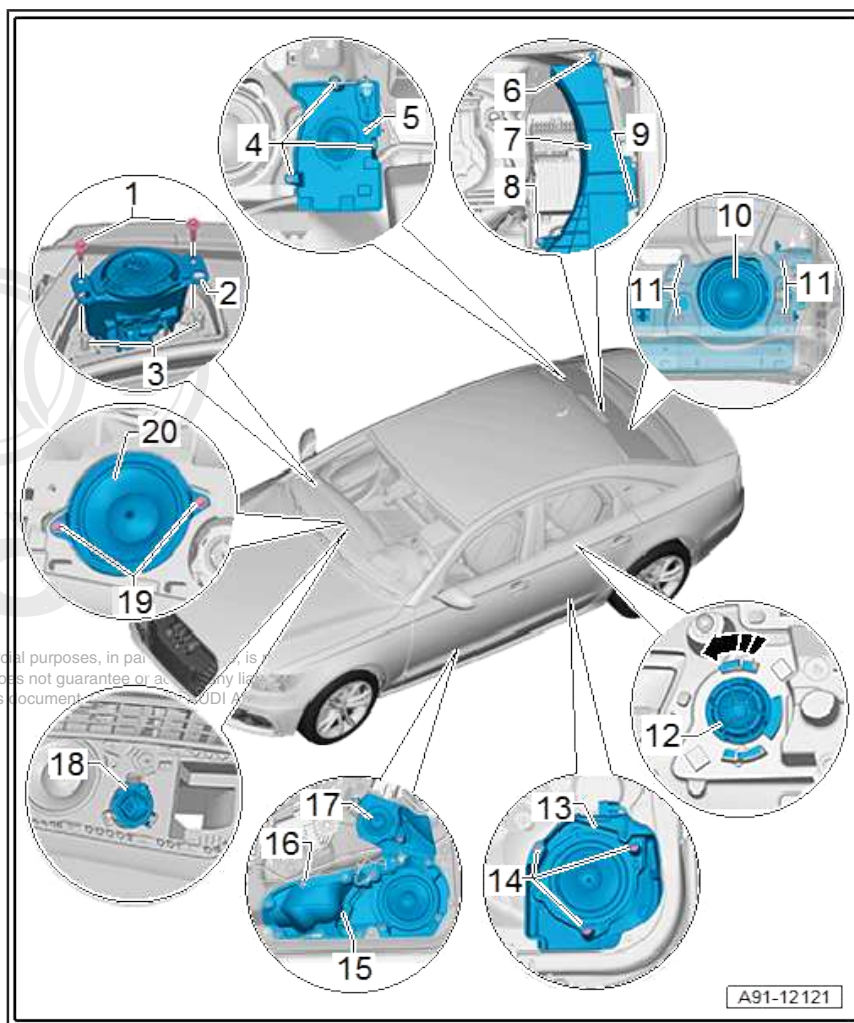
- Removing and installing ⇒ [page 70](#)

13 - Rear left mid-range loudspeaker - R105- / rear right mid-range loudspeaker - R106-

- Removing and installing ⇒ [page 72](#)

- Rear left bass loudspeaker - R15- / rear right bass loudspeaker - R17-

- Removing and installing ⇒ [page 73](#)





14 - Bolt

- 3x
- 3 Nm

15 - Front left bass loudspeaker - R21- / front right bass loudspeaker - R23-

- Removing and installing ⇒ [page 75](#)

16 - Bolt/nut

- 10x/2x
- 3 Nm

17 - Front left mid-range loudspeaker - R103- / front right mid-range loudspeaker - R104-

- Removing and installing ⇒ [page 71](#)

18 - Centre loudspeaker 2 - R219-

- Removing and installing ⇒ [page 81](#)

19 - Bolt

- 2x
- 2 Nm

20 - Centre loudspeaker - R208-

- Removing and installing ⇒ [page 81](#)



Protected by copyright. Copying for private or commercial purposes, in part or in whole, is not permitted unless authorised by AUDI AG. AUDI AG does not guarantee or accept any liability with respect to the correctness of information in this document. Copyright by AUDI AG.

2.2.4 Overview of fitting locations - sound system, loudspeakers (Bang & Olufsen), Avant

1 - Bolt

- 2x
- 2 Nm

2 - Front right treble loudspeaker - R22- / front left treble loudspeaker - R20-

- With control motor for front left treble loudspeaker - V344- / control motor for front right treble loudspeaker - V345-
- Removing and installing ⇒ [page 69](#)

3 - Centring pin

4 - Bolt

- 2x
- 2 Nm

5 - Left effect loudspeaker - R209- / right effect loudspeaker - R210-

- Removing and installing ⇒ [page 80](#)

6 - Bolt

- 5 Nm

7 - Subwoofer - R211-

- Removing and installing ⇒ [page 78](#)

8 - Nut

- 5 Nm

9 - Bolt

- 5 Nm

10 - Rear left treble loudspeaker - R14- / rear right treble loudspeaker - R16-

- Removing and installing ⇒ [page 68](#)

- Rear left mid-range loudspeaker - R105- / rear right mid-range loudspeaker - R106-

- Removing and installing ⇒ [page 70](#)

11 - Rear left mid-range loudspeaker - R105- / rear right mid-range loudspeaker - R106-

- Removing and installing ⇒ [page 72](#)

- Rear left bass loudspeaker - R15- / rear right bass loudspeaker - R17-

- Removing and installing ⇒ [page 73](#)

12 - Bolt

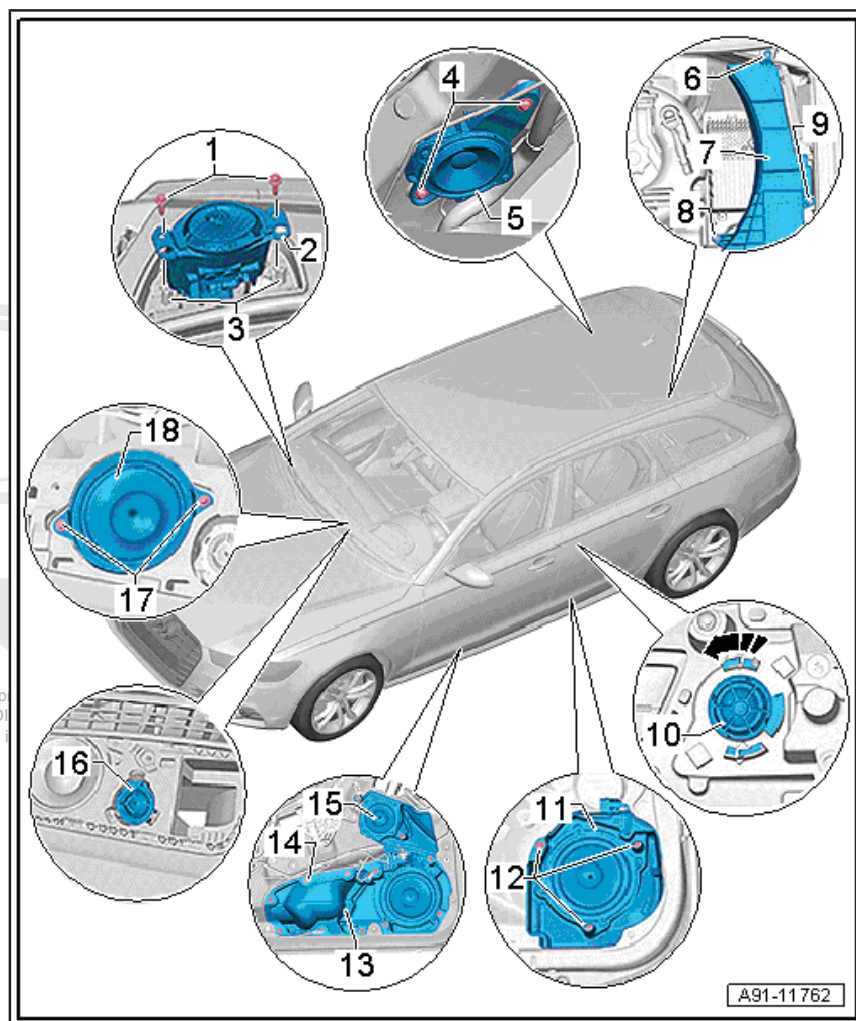
- 3x
- 3 Nm

13 - Front left bass loudspeaker - R21- / front right bass loudspeaker - R23-

- Removing and installing ⇒ [page 75](#)

14 - Bolt/nut

- 10x/2x



- 3 Nm

15 - Front left mid-range loudspeaker - R103- / front right mid-range loudspeaker - R104-

- Removing and installing ⇒ [page 72](#)

16 - Centre loudspeaker 2 - R219-

- Removing and installing ⇒ [page 81](#)

17 - Bolt

- 2x
- 2 Nm

18 - Centre loudspeaker - R208-

- Removing and installing ⇒ [page 81](#)

2.2.5 Overview of fitting locations - sound system, sound amplifiers, microphones (BOSE), up to model year 2014

1 - ANC microphone with retaining plate

- 4x
- Overview ⇒ [page 56](#)

2 - Trim panel

- 4x

3 - Coupling to wiring harness

- 4x
- Overview ⇒ [page 56](#)

4 - Digital sound package control unit - J525-

- Pin assignment ⇒ [page 83](#)
- Removing and installing (RMC) ⇒ [page 57](#)

5 - Nut

- 3x
- 4 Nm

6 - Digital sound package control unit - J525-

7 - Bolt

- 4x
- 6 Nm

8 - Bracket

9 - Digital sound package control unit - J525-

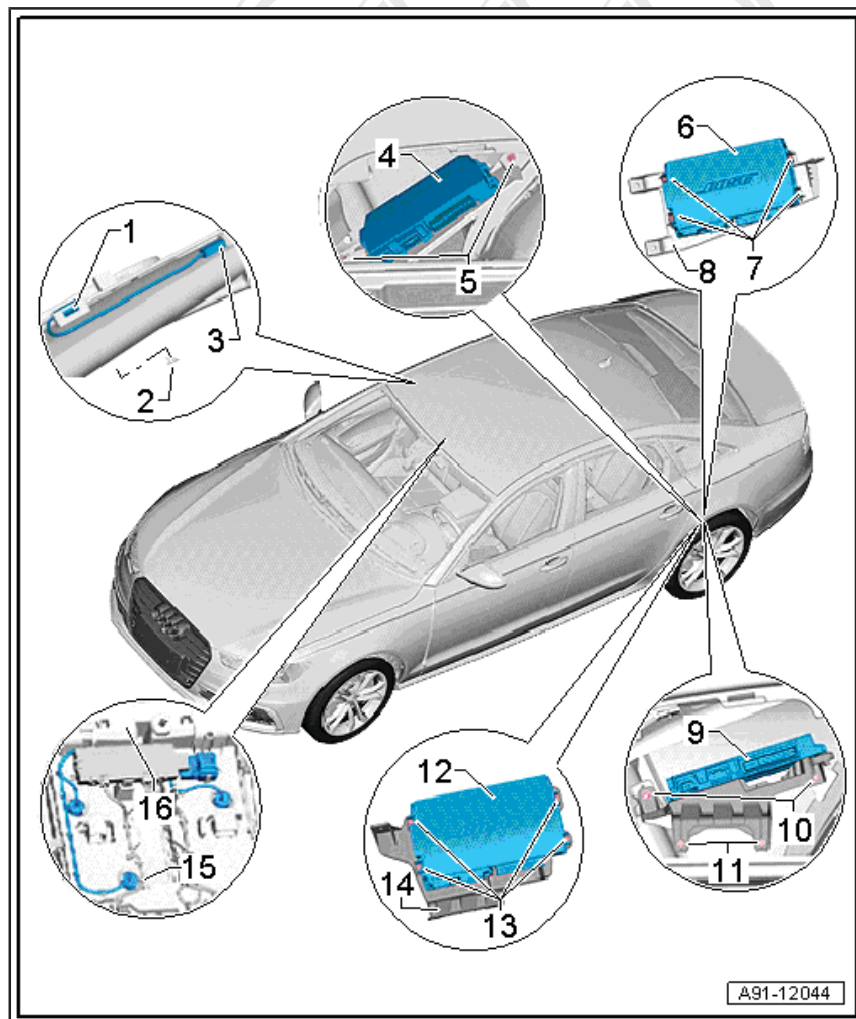
- Removing and installing (MMI) ⇒ [page 59](#)

10 - Nut

- 2x
- 4 Nm

11 - Bolt

- 2x
- 4 Nm



12 - Digital sound package control unit - J525-

13 - Bolt

- 4x
- 6 Nm

14 - Bracket

15 - Internal microphone - R74-

- Overview ⇒ [page 152](#)

16 - Front interior light - W1-

- With microphone unit in front roof module - R164-
- Removing and installing ⇒ Electrical system; Rep. gr. 96 ; Controls; Removing and installing interior light/reading light (front)

2.2.6 Overview of fitting locations - sound system, sound amplifiers, microphones (standard/BOSE), from model year 2015 onwards

Protected by copyright. Copying for private or commercial purposes, in part or in whole, is not permitted unless authorised by AUDI AG. AUDI AG does not guarantee or accept any liability with respect to the correctness of the information.

1 - ANC microphone with retaining plate

- 4x
- Overview ⇒ [page 56](#)

2 - Trim panel

- 4x

3 - Coupling to wiring harness

- 4x
- Overview ⇒ [page 56](#)

4 - Digital sound package control unit - J525-

- Pin assignment (standard) ⇒ Current flow diagrams, Electrical fault finding and Fitting locations
- Pin assignment (BOSE) ⇒ Current flow diagrams, Electrical fault finding and Fitting locations
- Removing and installing ⇒ [page 60](#)

5 - Bolt

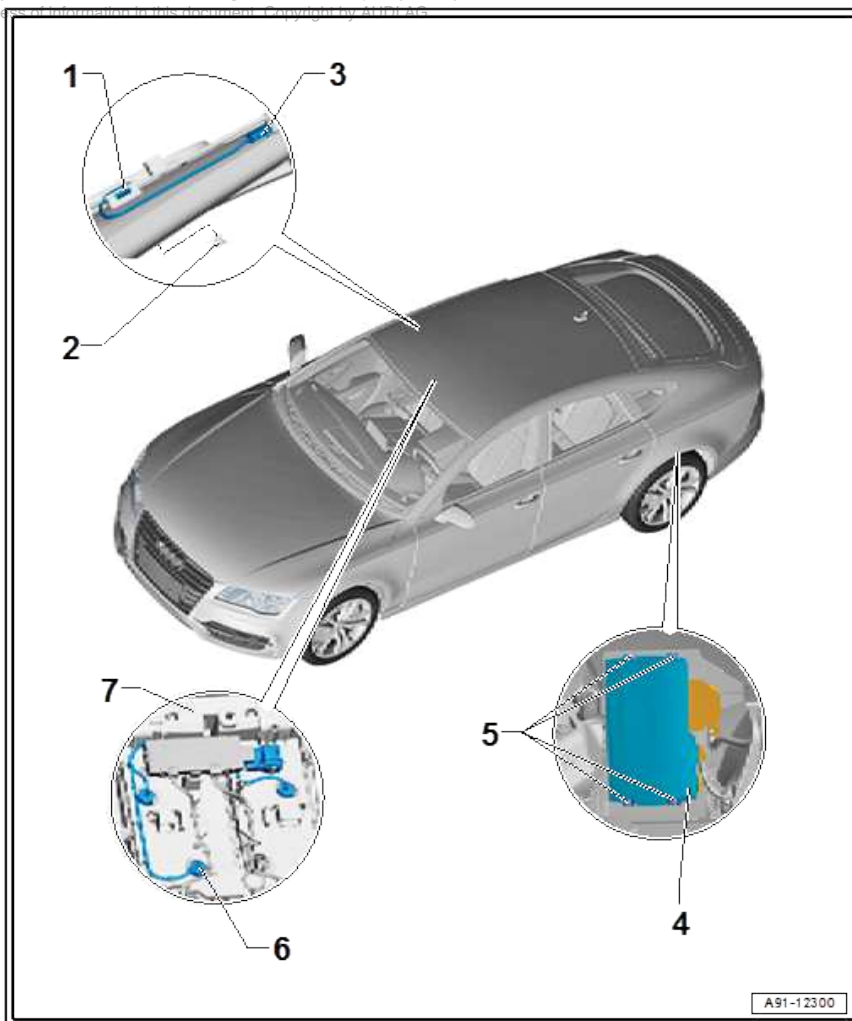
- 4x
- 4 Nm

6 - Internal microphone - R74-

- Overview ⇒ [page 152](#)

7 - Front interior light - W1-

- With microphone unit in front roof module - R164-
- Removing and installing ⇒ Electrical system; Rep. gr. 96 ; Controls; Removing and installing interior light/reading light (front)



2.2.7 Overview of fitting locations - sound system, sound amplifiers, microphones (Bang & Olufsen), up to model year 2014

1 - Trim panel

- 4x

2 - ANC microphone with retaining plate

- 4x
- Overview ⇒ [page 56](#)

3 - Coupling to wiring harness

- 4x
- Overview ⇒ [page 56](#)

4 - Nut

- 5 Nm

5 - Digital sound package control unit - J525-

- Pin assignment ⇒ [page 85](#)
- Removing and installing ⇒ [page 62](#)

6 - Bracket

7 - Digital sound package control unit - J525-

8 - Bracket

9 - Bolt

- 3.5 Nm

10 - Digital sound package control unit 2 - J787-

- Pin assignment ⇒ [page 87](#)
- Removing and installing ⇒ [page 66](#)

11 - Bracket

12 - Nut (4x)

- 3.5 Nm

13 - Bolt

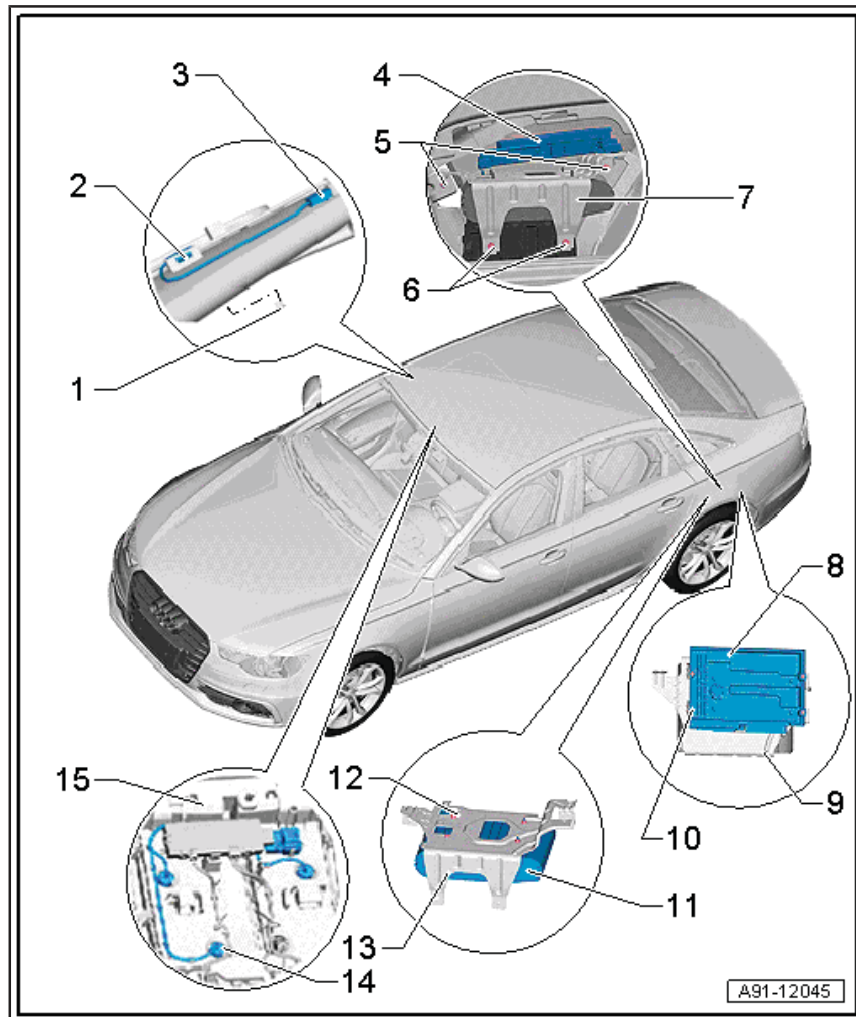
- 3.5 Nm

14 - Internal microphone - R74-

- Overview ⇒ [page 152](#)

15 - Front interior light - W1-

- With microphone unit in front roof module - R164-
- Removing and installing ⇒ Electrical system; Rep. gr. 96 ; Controls; Removing and installing interior light/reading light (front)



Protected by copyright. Copying for private or commercial purposes, in part or in whole, is not permitted unless authorised by AUDI AG. AUDI AG does not guarantee or accept any liability with respect to the correctness of information in this document. Copyright by AUDI AG.

2.2.8 Overview of fitting locations - sound system, sound amplifiers, microphones (Bang & Olufsen), from model year 2015 onwards

1 - ANC microphone with retaining plate

- 4x
- Overview ⇒ [page 56](#)

2 - Trim panel

- 4x

3 - Coupling to wiring harness

- 4x
- Overview ⇒ [page 56](#)

4 - Nut

- 3x
- Top: 5 Nm
- Bottom: 4 Nm

5 - Bracket

6 - Bolt

- 5 Nm

7 - Digital sound package control unit - J525-

- Pin assignment ⇒ Current flow diagrams, Electrical fault finding and Fitting locations
- Removing and installing ⇒ [page 64](#)

8 - Digital sound package control unit - J525-

9 - Bracket

10 - Bolt

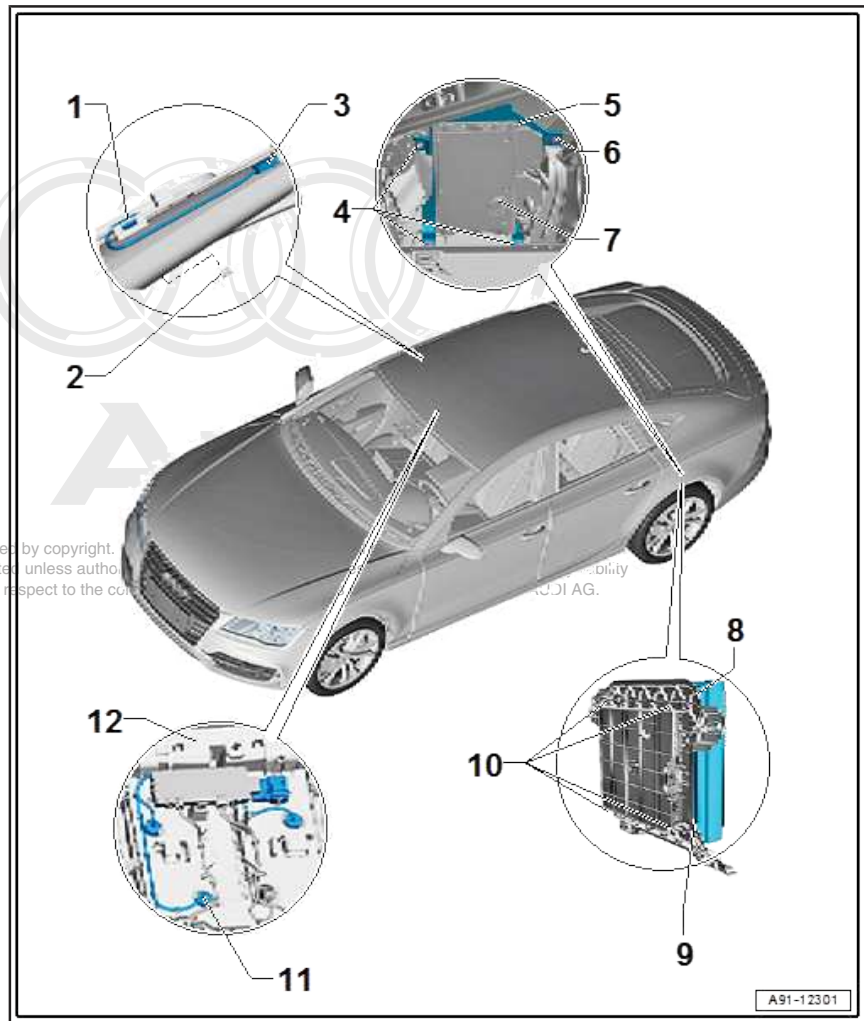
- 4x
- 4 Nm

11 - Internal microphone - R74-

- Overview ⇒ [page 152](#)

12 - Front interior light - W1-

- With microphone unit in front roof module - R164-
- Removing and installing ⇒ Electrical system; Rep. gr. 96 ; Controls; Removing and installing interior light/reading light (front)



Not illustrated

- ◆ Bolts for brace: 5 Nm

2.3 Overview of fitting locations - ANC microphones

The ANC (active noise cancellation) system consists of four additional microphones in the moulded headliner and special software in the digital sound package control unit - J525- .

ANC microphones up to model year 2014

- 1 - Front interior light - W1- with internal microphone - R74-
- 2 - Centre left microphone - R142-
- 3 - Rear left microphone - R144-
- 4 - Rear right microphone - R145-
- 5 - Centre right microphone - R143-

Protected by copyright. Copying
permitted unless authorised by
with respect to the correct

not
ability



ANC microphones from model year 2015 onwards

- 1 - Front interior light - W1- with internal microphone - R74-
- 2 - Noise cancellation microphone 1 - R285-
- 3 - Noise cancellation microphone 3 - R287-
- 4 - Noise cancellation microphone 4 - R288-
- 5 - Noise cancellation microphone 2 - R286-

The ANC microphones are equipped with a trailing cable. The connector is located in the moulded headliner.

To remove, moulded headliner must be lowered at the appropriate corner.

Removing and installing ANC microphones ⇒ [page 82](#) .



2.4 Removing and installing digital sound package control unit/amplifier

⇒ ["2.4.1 Removing and installing digital sound package control unit J525 - BOSE, RMC, up to model year 2014", page 57](#)

⇒ ["2.4.2 Removing and installing digital sound package control unit J525 - BOSE, MMI, up to model year 2014", page 59](#)

⇒ ["2.4.3 Removing and installing digital sound package control unit J525 - standard/BOSE, from model year 2015 onwards", page 60](#)

⇒ ["2.4.4 Removing and installing digital sound package control unit J525 - Bang & Olufsen, up to model year 2014", page 62](#)

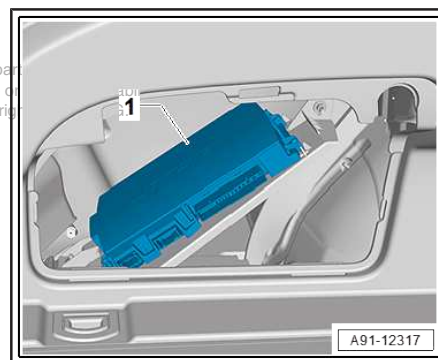
⇒ ["2.4.5 Removing and installing digital sound package control unit J525 - Bang & Olufsen, from model year 2015 onwards", page 64](#)

⇒ ["2.4.6 Removing and installing digital sound package control unit 2 J787 - Bang & Olufsen, up to model year 2014", page 66](#)

2.4.1 Removing and installing digital sound package control unit - J525- - BOSE, RMC, up to model year 2014

Digital sound package control unit - J525- -1- is located behind luggage compartment trim (left-side).

Protected by copyright. Copying for private or commercial purposes, in part or in full, is not permitted unless authorised by AUDI AG. AUDI AG does not guarantee the accuracy of the information with respect to the correctness of information in this document. Copyright © 2015 Audi AG.



Special tools and workshop equipment required

- ◆ Protective cap for cable connector - VAS 6223/9-



Note

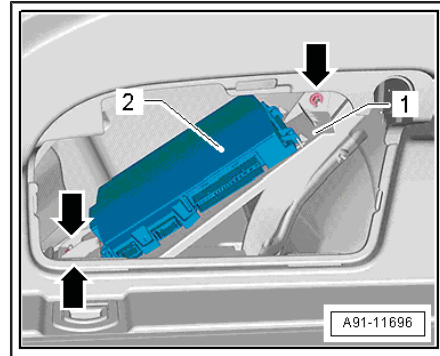
If control unit is to be renewed, select the "Replace control unit" function for appropriate control unit in ⇒ Vehicle diagnostic tester.

Removing

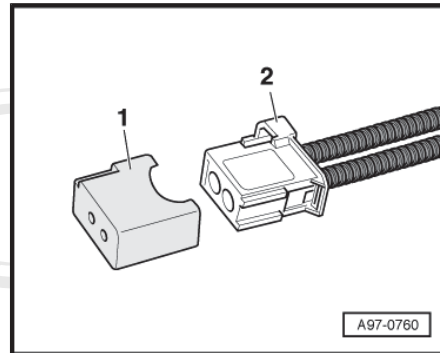
- Switch off ignition and all electrical equipment and remove ignition key.
- Open left storage compartment in luggage compartment.

First remove bracket together with digital sound package control unit - J525- .

- Release and unplug connectors at digital sound package control unit - J525- -2-.

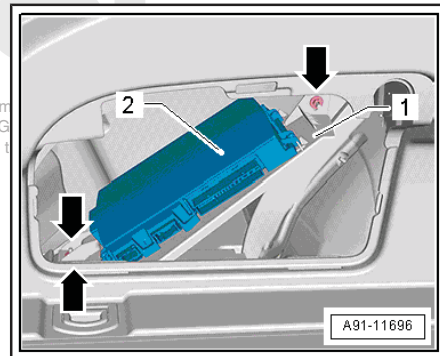


- Fit protective cap for cable connector - VAS 6223/9- -1- onto MOST bus connector -2-.



- Unscrew nuts -arrows- at bracket -1- and take out digital sound package control unit - J525- -2- with bracket -1-.

Protected by copyright. Copying for private or commercial use is not permitted unless authorised by AUDI AG. AUDI AG is not liable with respect to the correctness of information in this document.



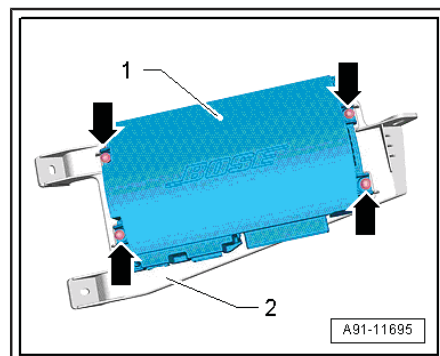
- Unscrew bolts -arrows- and detach digital sound package control unit - J525- -1- from bracket -2-.

Installing

- Install in reverse sequence of removal.

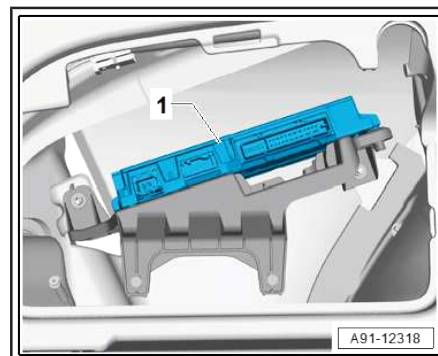
Tightening torques

- ◆ ⇒ [“2.2.5 Overview of fitting locations - sound system, sound amplifiers, microphones \(BOSE\), up to model year 2014”, page 52](#)



2.4.2 Removing and installing digital sound package control unit - J525- - BOSE, MMI, up to model year 2014

Digital sound package control unit - J525- -1- is located behind luggage compartment trim (left-side).



Special tools and workshop equipment required

- ◆ Protective cap for cable connector - VAS 6223/9-



Note

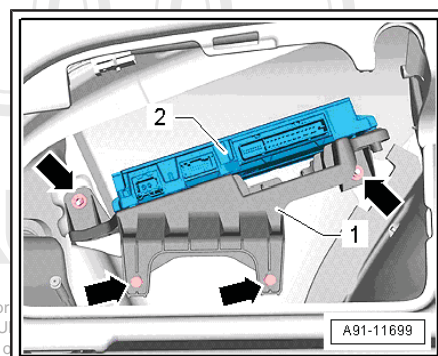
If control unit is to be renewed, select the "Replace control unit" function for appropriate control unit in ⇒ Vehicle diagnostic tester.

Removing

- Switch off ignition and all electrical equipment and remove ignition key.
- Open left storage compartment in luggage compartment.

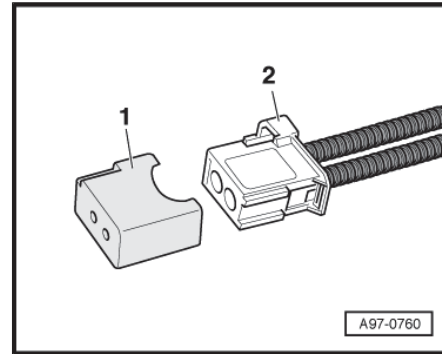
First remove bracket together with digital sound package control unit - J525- .

- Release and unplug connectors at digital sound package control unit - J525- -2-.

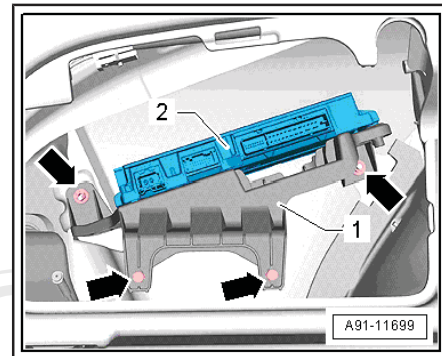


Protected by copyright. Copying for permitted unless authorised by AU with respect to the correctness of

- Fit protective cap for cable connector - VAS 6223/9- -1- onto MOST bus connector -2-.



- Unscrew nuts and bolts -arrows- at bracket -1- and take out digital sound package control unit - J525- -2- with bracket -1-.



- Unscrew bolts -arrows- and detach digital sound package control unit - J525- -1- from bracket -2-.

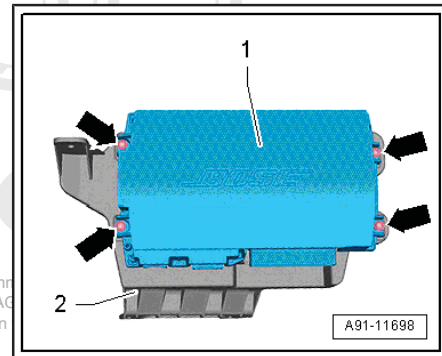
Installing

- Install in reverse sequence of removal.

Tightening torques

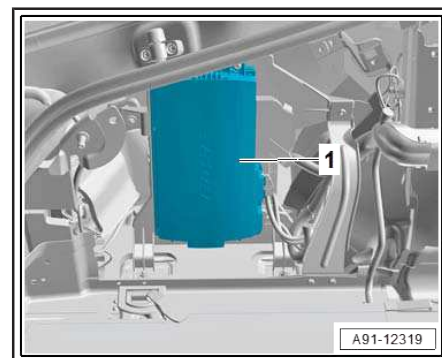
- ◆ ⇒ [“2.2.5 Overview of fitting locations - sound system, sound amplifiers, microphones \(BOSE\), up to model year 2014”, page 52](#)

Protected by copyright. Copying for private or commercial use is not permitted unless authorised by AUDI AG. AUDI AG assumes no liability with respect to the correctness of information in this document.



2.4.3 Removing and installing digital sound package control unit - J525- - standard/BOSE, from model year 2015 onwards

Digital sound package control unit - J525- -1- is located behind luggage compartment trim (left-side).



Special tools and workshop equipment required

◆ Protective cap for cable connector - VAS 6223/9-



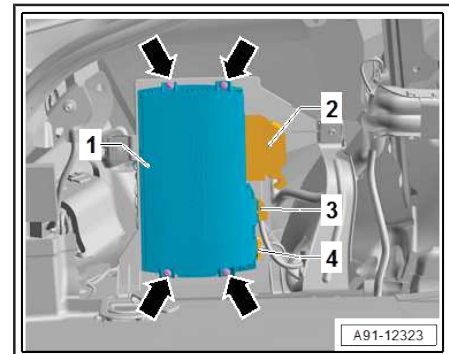
Note

If control unit is to be renewed, select the "Replace control unit" function for appropriate control unit in → Vehicle diagnostic tester.

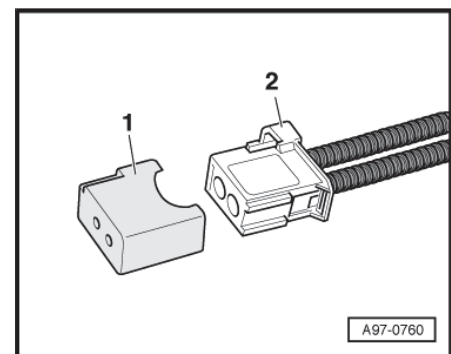
Removing

- Switch off ignition and all electrical equipment and remove ignition key.
- Open left storage compartment in luggage compartment.
- Release and unplug connectors -2, 3 and 4- at digital sound package control unit - J525- -1-.

Protected by copyright. Copying for private or commercial purposes, in part or in whole, is not permitted unless authorised by AUDI AG. AUDI AG does not guarantee or accept any liability with respect to the correctness of information in this document. Copyright by AUDI AG.



- Fit protective cap for cable connector - VAS 6223/9- -1- onto MOST bus connector -2-.



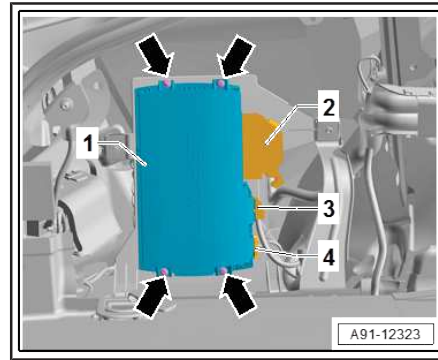
- Unscrew bolts -arrows- from bracket and remove digital sound package control unit - J525- -1-.

Installing

- Install in reverse sequence of removal.

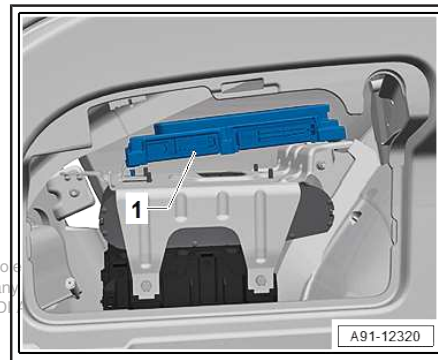
Tightening torques

- ◆ ⇒ [“2.2.6 Overview of fitting locations - sound system, sound amplifiers, microphones \(standard/BOSE\), from model year 2015 onwards”, page 53](#)



2.4.4 Removing and installing digital sound package control unit - J525- - Bang & Olufsen, up to model year 2014

Digital sound package control unit - J525- -1- is located behind luggage compartment trim (left-side).



Protected by copyright. Copying for private or commercial purposes, in part or in whole, is not permitted unless authorised by AUDI AG. AUDI AG does not guarantee or accept any liability with respect to the correctness of information in this document. Copyright by AUDI AG.

Special tools and workshop equipment required

- ◆ Protective cap for cable connector - VAS 6223/9-



Note

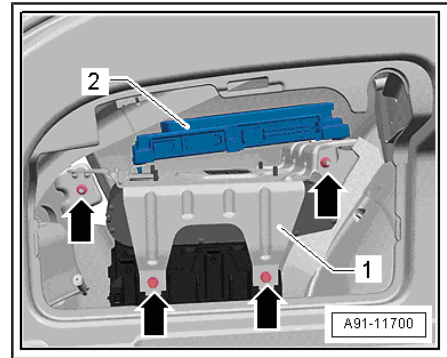
If control unit is to be renewed, select the “Replace control unit” function for appropriate control unit in ⇒ Vehicle diagnostic tester.

Removing

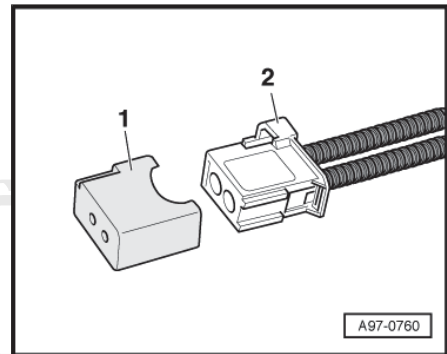
- Switch off ignition and all electrical equipment and remove ignition key.
- Open left storage compartment in luggage compartment.

First remove bracket together with digital sound package control unit - J525- .

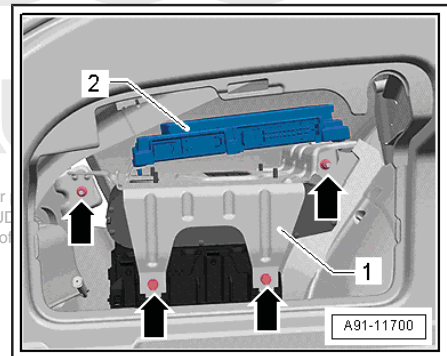
- Release and unplug connectors at digital sound package control unit - J525- -2-.



- Fit protective cap for cable connector - VAS 6223/9- -1- onto MOST bus connector -2-.



- Unscrew nuts and bolts -arrows- at bracket -1- and take out digital sound package control unit - J525- -2- with bracket -1-.



Protected by copyright. Copying for permitted unless authorised by AUDI with respect to the correctness of

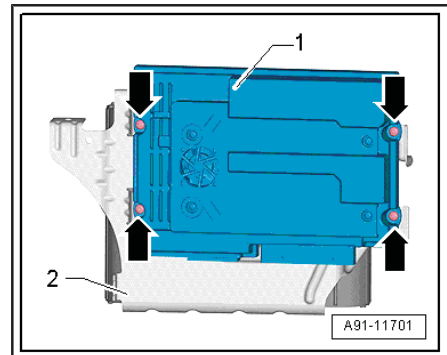
- Unscrew bolts -arrows- and detach digital sound package control unit - J525- -1- from bracket -2-.

Installing

- Install in reverse sequence of removal.

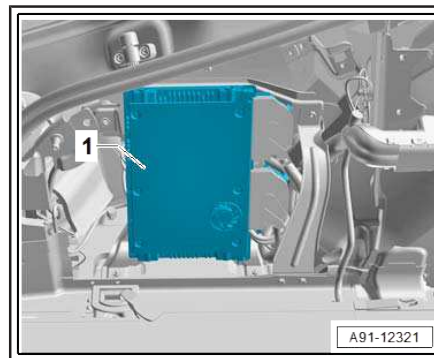
Tightening torques

- ◆ ⇒ [“2.2.7 Overview of fitting locations - sound system, sound amplifiers, microphones \(Bang & Olufsen\), up to model year 2014”, page 54](#)



2.4.5 Removing and installing digital sound package control unit - J525- - Bang & Olufsen, from model year 2015 onwards

Digital sound package control unit - J525- -1- is located behind luggage compartment trim (left-side).



Special tools and workshop equipment required

- ◆ Protective cap for cable connector - VAS 6223/9-



Note

If control unit is to be renewed, select the "Replace control unit" function for appropriate control unit in ⇒ Vehicle diagnostic tester.

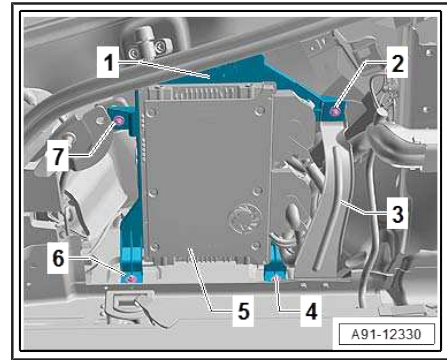
Removing

- Switch off ignition and all electrical equipment and remove ignition key.
- Remove luggage compartment side trim (left-side) ⇒ General body repairs, interior; Rep. gr. 70 ; Luggage compartment trim panels; Removing and installing luggage compartment side trim .

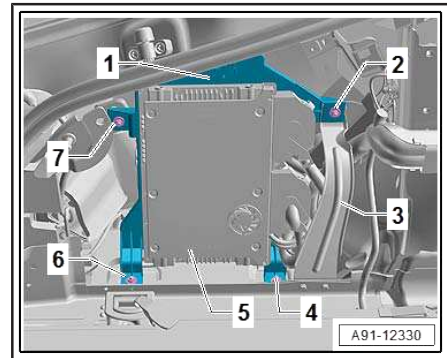
First remove bracket together with digital sound package control unit - J525- .

- If fitted, remove lever for towing bracket ⇒ General body repairs, exterior; Rep. gr. 66 ; Towing bracket; Exploded view - towing bracket .

- Remove nuts -4, 6 and 7- and bolt -2- from bracket -1-.
- Remove brace -3-.
- Pivot digital sound package control unit - J525- -5- together with bracket -1- into luggage compartment.

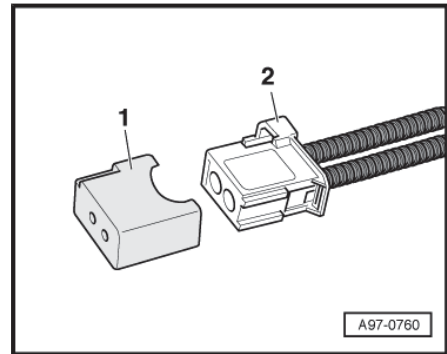


- Release and unplug connectors at digital sound package control unit - J525- -5-.
- If fitted, release and unplug connectors on TV tuner - R78- .



- Fit protective cap for cable connector - VAS 6223/9- -1- onto MOST bus connector -2-.
- Remove digital sound package control unit - J525- -5- with bracket -1-.

The TV tuner - R78- does not have to be removed.



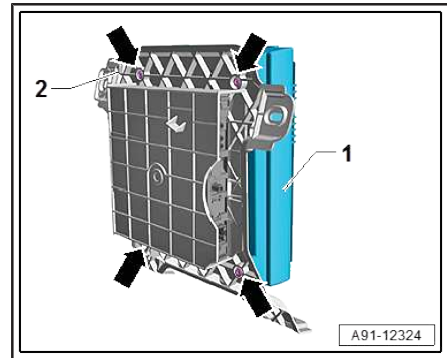
- Unscrew bolts -arrows- and detach digital sound package control unit - J525- -1- from bracket -2-.

Installing

- Install in reverse sequence of removal.

Tightening torques

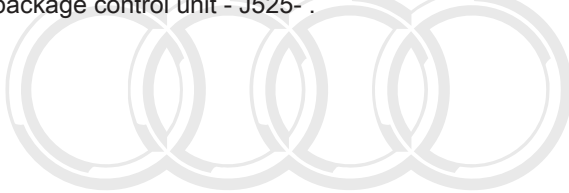
- ◆ => [“2.2.8 Overview of fitting locations - sound system, sound amplifiers, microphones \(Bang & Olufsen\), from model year 2015 onwards”, page 55](#)



Protected by copyright. Copying for private or commercial purposes, in part or in whole, is not permitted unless authorised by AUDI AG. AUDI AG does not guarantee or accept any liability with respect to the correctness of information in this document. Copyright by AUDI AG.

2.4.6 Removing and installing digital sound package control unit 2 - J787- - Bang & Olufsen, up to model year 2014

The digital sound package control unit 2 - J787- -1- is located behind the luggage compartment trim (left-side) beneath the digital sound package control unit - J525- .

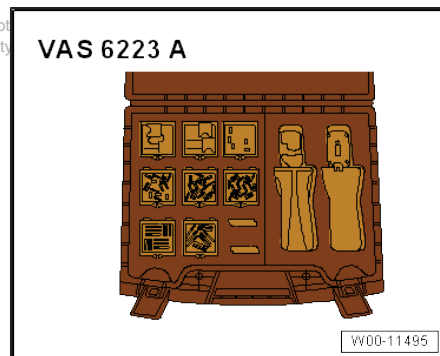
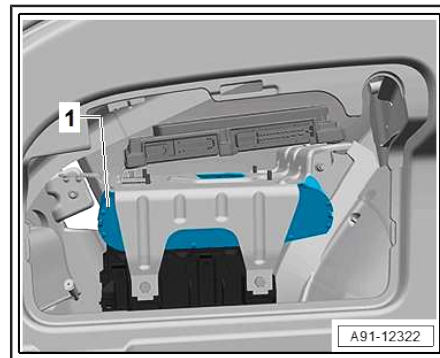


Audi

Special tools and workshop equipment required

- ◆ Protective cap for cable connector - VAS 6223/9- .

This document, in part or in whole, is not permitted unless authorised by AUDI AG. AUDI AG does not guarantee or accept any liability with respect to the correctness of information in this document. Copyright by AUDI AG.



i Note

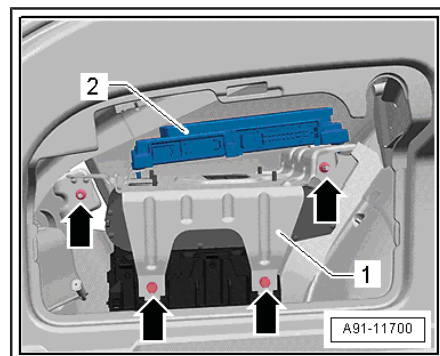
If control unit is to be renewed, select the "Replace control unit" function for appropriate control unit in ⇒ Vehicle diagnostic tester.

Removing

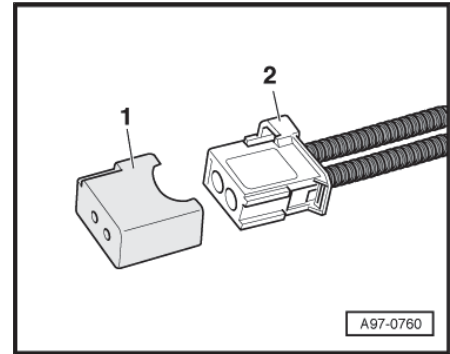
- Switch off ignition and all electrical equipment and remove ignition key.
- Open left storage compartment in luggage compartment.

First remove bracket together with digital sound package control unit - J525- .

- Release and unplug connectors at digital sound package control unit - J525- -2-.

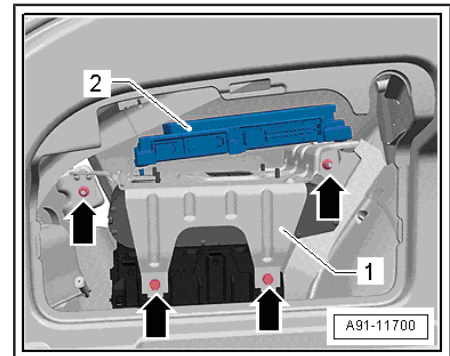


- Fit protective cap for cable connector - VAS 6223/9- -1- onto MOST bus connector -2-.

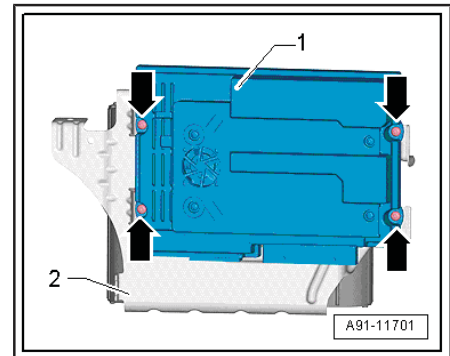


- Unscrew nuts and bolts -arrows- at bracket -1- and take out digital sound package control unit - J525- -2- with bracket -1-.

Securing nuts for digital sound package control unit 2 - J787- are covered by digital sound package control unit - J525- .



- Unscrew bolts -arrows- and detach digital sound package control unit - J525- -1- from bracket -2-.



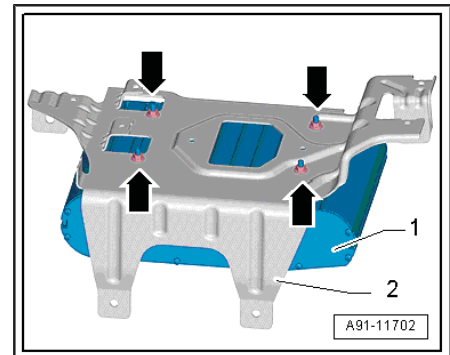
- Unscrew nuts -arrows- at bracket -2- and detach digital sound package control unit 2 - J787- -1- from bracket -2-.

Installing

- Install in reverse sequence of removal.

Tightening torques

- ◆ => ["2.2.7 Overview of fitting locations - sound system, sound amplifiers, microphones \(Bang & Olufsen\), up to model year 2014", page 54](#)



Protected by copyright. Copying for private or commercial purposes, in part or in whole, is not permitted unless authorised by AUDI AG. AUDI AG does not guarantee or accept any liability with respect to the correctness of information in this document. Copyright by AUDI AG.

2.5 Removing and installing rear treble loudspeakers -R14- / -R16-

The rear left treble loudspeaker - R14- and the rear right treble loudspeaker - R16- -1- are located in the rear doors (top).

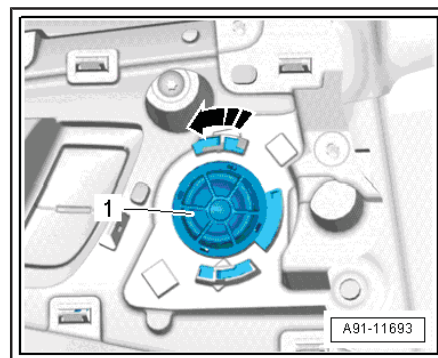
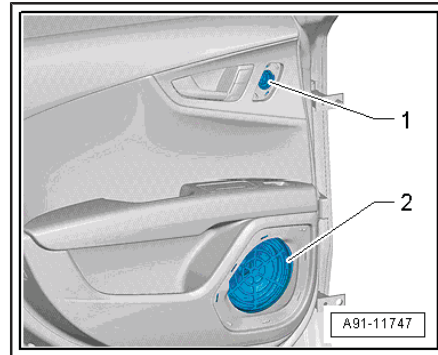
The removal and installation procedure is similar for all components.

Removing

- Switch off ignition and all electrical equipment and remove ignition key.
- Remove rear door trim ⇒ General body repairs, interior; Rep. gr. 70 ; Rear door trim; Removing and installing door trim (rear) .
- Release and unplug connector at rear left treble loudspeaker - R14- -1-.
- Turn rear left treble loudspeaker - R14- -1- in direction of -arrow- until it can be detached from door trim.

Installing

- Install in reverse sequence of removal.



2.6 Removing and installing front treble loudspeakers -R20- / -R22-

⇒ [“2.6.1 Removing and installing front treble loudspeakers R20 / R22”, page 68](#)

⇒ [“2.6.2 Removing and installing front treble loudspeakers R20 / V344 / R22 / V345 - Bang & Olufsen”, page 69](#)

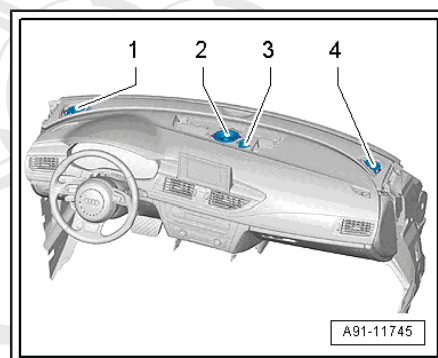
2.6.1 Removing and installing front treble loudspeakers -R20- / -R22-

The front left treble loudspeaker - R20- -1- and the front right treble loudspeaker - R22- -4- are located in the dash panel (front).

The removal and installation procedure is similar for all components.

Removing

- Switch off ignition and all electrical equipment and remove ignition key.
- Remove loudspeaker trim (side) ⇒ General body repairs, interior; Rep. gr. 70 ; Dash panel; Removing and installing loudspeaker trim .



Protected by copyright. Copying for private or commercial purposes, in part or in whole, is not permitted unless authorised by AUDI AG. AUDI AG does not guarantee or accept any liability with respect to the correctness of information in this document. Copyright by AUDI AG.

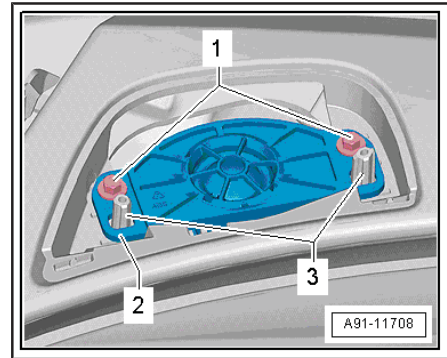
- Remove bolts -1- at front left treble loudspeaker - R20- -2- and lift front left treble loudspeaker - R20- -2- off centring pins -3-.
- Release and unplug connector at front left treble loudspeaker - R20- -2-.

Installing

- Install in reverse sequence of removal.

Tightening torques

- ◆ ⇒ [“2.2.1 Overview of fitting locations - sound system, loudspeakers \(standard/BOSE\), Saloon”, page 45](#)
- ◆ ⇒ [“2.2.2 Overview of fitting locations - sound system, loudspeakers \(standard, BOSE\), Avant”, page 47](#)



2.6.2 Removing and installing front treble loudspeakers -R20- / -V344- / -R22- / -V345- - Bang & Olufsen

The front left treble loudspeaker - R20- -1- and the front right treble loudspeaker - R22- -4- are located in the dash panel (front).

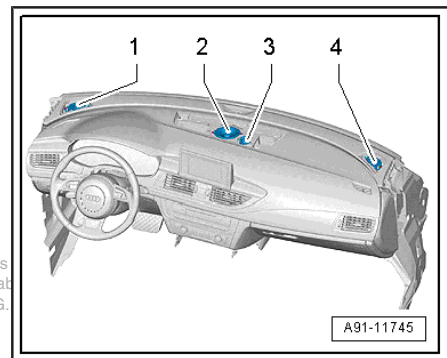
The removal and installation procedure is similar for all components.

The control motor for front left treble loudspeaker - V344- / control motor for front right treble loudspeaker - V345- is integrated in the front left treble loudspeaker - R20- -1- / front right treble loudspeaker - R22- . The control motors cannot be renewed separately.

Protected by copyright. Copying for private or commercial purposes, in part or in whole, is permitted unless authorised by AUDI AG. AUDI AG does not guarantee or accept any liability with respect to the correctness of information in this document. Copyright by AUDI AG.

Removing

- Switch off ignition and all electrical equipment and remove ignition key.
- Remove loudspeaker trim (side) ⇒ General body repairs, interior; Rep. gr. 70 ; Dash panel; Removing and installing loudspeaker trim .
- Remove bolts -1- at front left treble loudspeaker - R20- -2- and lift front left treble loudspeaker - R20- -2- off centring pins -3-.
- Release and unplug connectors at front left treble loudspeaker - R20- -2-.

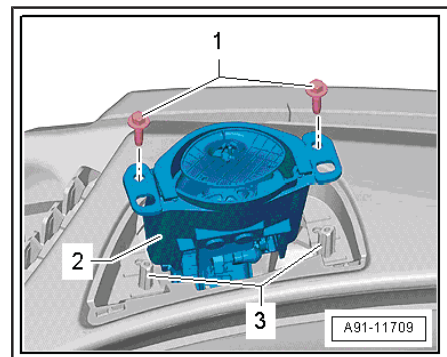


Installing

- Install in reverse sequence of removal.

Tightening torques

- ◆ ⇒ [“2.2.3 Overview of fitting locations - sound system, loudspeakers \(Bang & Olufsen\), Saloon”, page 49](#)
- ◆ ⇒ [“2.2.4 Overview of fitting locations - sound system, loudspeakers \(Bang & Olufsen\), Avant”, page 51](#)



2.7 Removing and installing rear mid-range loudspeaker

The rear left mid-range loudspeaker - R105- and the rear right mid-range loudspeaker - R106- -1- are located in the rear doors (top).

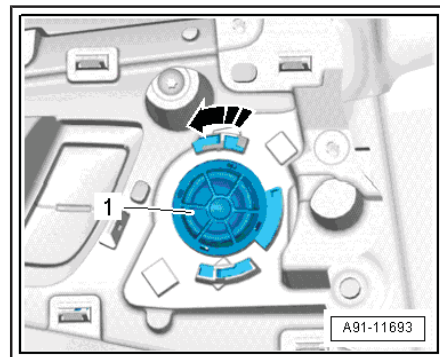
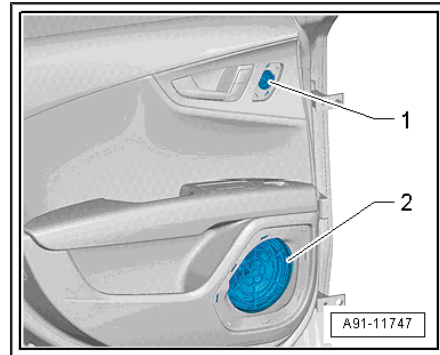
The removal and installation procedure is similar for all components.

Removing

- Switch off ignition and all electrical equipment and remove ignition key.
- Remove rear door trim => General body repairs, interior; Rep. gr. 70 ; Rear door trim; Removing and installing door trim (rear) .
- Release and unplug connector at rear left mid-range loudspeaker - R105- -1-.
- Turn rear left mid-range loudspeaker - R105- -1- in direction of -arrow- until it can be detached from door trim.

Installing

- Install in reverse sequence of removal.



2.8 Removing and installing front mid-range loudspeakers

=> ["2.8.1 Removing and installing front mid-range loudspeakers R103 / R104", page 70](#)

=> ["2.8.2 Removing and installing front mid-range loudspeakers R103 / R104 - Bang & Olufsen", page 71](#)

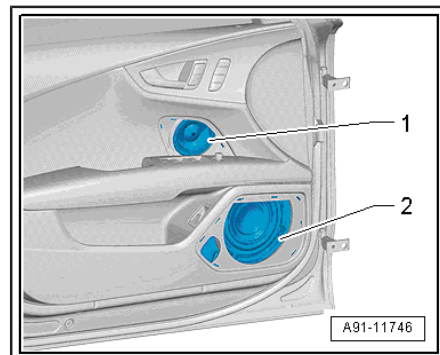
2.8.1 Removing and installing front mid-range loudspeakers -R103- / -R104-

The front left mid-range loudspeaker - R103- and the front right mid-range loudspeaker - R104- -1- are located in the front doors (centre).

The removal and installation procedure is similar for all components. not permitted unless authorised by AUDI AG. AUDI AG does not guarantee or accept any liability with respect to the correctness of information in this document. Copyright by AUDI AG.

Removing

- Switch off ignition and all electrical equipment and remove ignition key.
- Remove door trim (front) => General body repairs, interior; Rep. gr. 70 ; Door trim (front); Removing and installing door trim (front) .



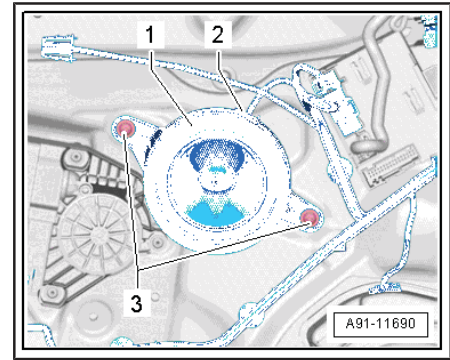
- Release and unplug electrical connector -2- at front left mid-range loudspeaker - R103- -1-.
- Remove bolts -3-.
- Detach front left mid-range loudspeaker - R103- -1-.

Installing

- Install in reverse sequence of removal.

Tightening torques

- ◆ ⇒ ["2.2.1 Overview of fitting locations - sound system, loudspeakers \(standard/BOSE\), Saloon", page 45](#)
- ◆ ⇒ ["2.2.2 Overview of fitting locations - sound system, loudspeakers \(standard, BOSE\), Avant", page 47](#)



2.8.2 Removing and installing front mid-range loudspeakers -R103- / -R104- - Bang & Olufsen

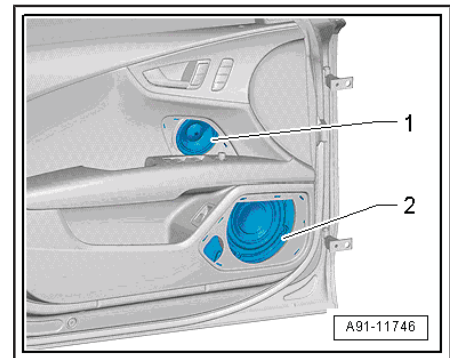
The front left mid-range loudspeaker - R103- and the front right mid-range loudspeaker - R104- -1- are located in the front doors (centre).

The removal and installation procedure is similar for all components.

Both loudspeakers are connected to the front left bass loudspeaker - R21- / front right bass loudspeaker - R23- and cannot be renewed individually.

Removing

- Switch off ignition and all electrical equipment and remove ignition key.
- Remove front bass loudspeakers (Bang & Olufsen) ⇒ [page 75](#) .



2.9 Removing and installing rear mid-range and bass loudspeakers

⇒ ["2.9.1 Removing and installing rear mid-range and bass loudspeakers R159 / R160", page 71](#)

⇒ ["2.9.2 Removing and installing rear mid-range and bass loudspeakers R159 / R160 - Bang & Olufsen", page 72](#)

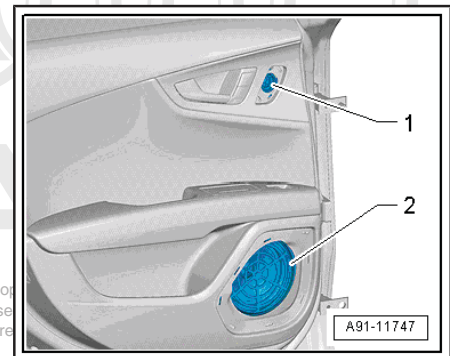
2.9.1 Removing and installing rear mid-range and bass loudspeakers -R159- / -R160-

The rear left mid-range and bass loudspeaker - R159- and the rear right mid-range and bass loudspeaker - R160- -2- are located in the rear doors (bottom).

The removal and installation procedure is similar for all components.

Removing

- Switch off ignition and all electrical equipment and remove ignition key.
- Remove rear door trim ⇒ General body repairs, interior; Repair gr. 70 ; Rear door trim; Removing and installing door trim (rear) .



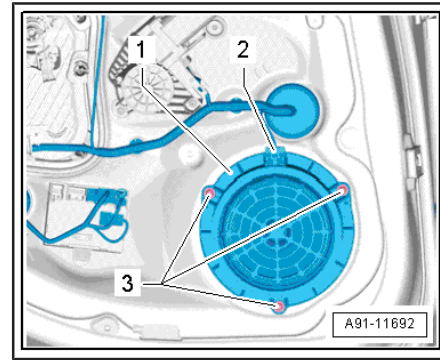
- Release and unplug electrical connector -2- at rear left mid-range and bass loudspeaker - R159- -1-.
- Remove bolts -3-.
- Remove rear left mid-range and bass loudspeaker - R159- -1-.

Installing

- Install in reverse sequence of removal.

Tightening torques

- ◆ ⇒ [“2.2.1 Overview of fitting locations - sound system, loudspeakers \(standard/BOSE\), Saloon”, page 45](#)
- ◆ ⇒ [“2.2.2 Overview of fitting locations - sound system, loudspeakers \(standard, BOSE\), Avant”, page 47](#)



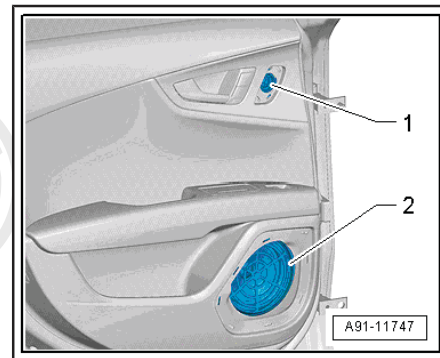
2.9.2 Removing and installing rear mid-range and bass loudspeakers -R159- / -R160- - Bang & Olufsen

The rear left mid-range and bass loudspeaker - R159- and the rear right mid-range and bass loudspeaker - R160- -2- are located in the rear doors (bottom).

The removal and installation procedure is similar for all components.

Removing

- Switch off ignition and all electrical equipment and remove ignition key.
- Remove rear door trim ⇒ General body repairs, interior; Rep. gr. 70 ; Rear door trim; Removing and installing door trim (rear) .
- Release and unplug electrical connector -2- at rear left mid-range and bass loudspeaker - R159- -1-.
- Remove bolts -3-.
- Remove rear left mid-range and bass loudspeaker - R159- -1-.

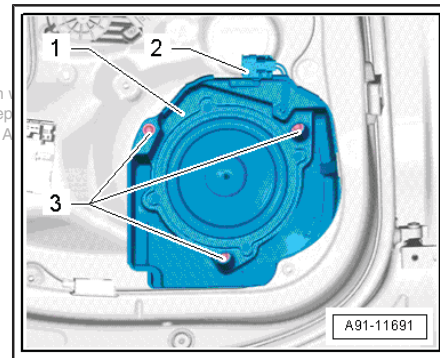


Installing

- Install in reverse sequence of removal.

Tightening torques

- ◆ ⇒ [“2.2.3 Overview of fitting locations - sound system, loudspeakers \(Bang & Olufsen\), Saloon”, page 49](#)
- ◆ ⇒ [“2.2.4 Overview of fitting locations - sound system, loudspeakers \(Bang & Olufsen\), Avant”, page 51](#)



2.10 Removing and installing rear bass loudspeakers -R15- / -R17-

⇒ ["2.10.1 Removing and installing rear bass loudspeakers R15 / R17", page 73](#)

⇒ ["2.10.2 Removing and installing rear bass loudspeakers R15 / R17 - Bang & Olufsen", page 73](#)

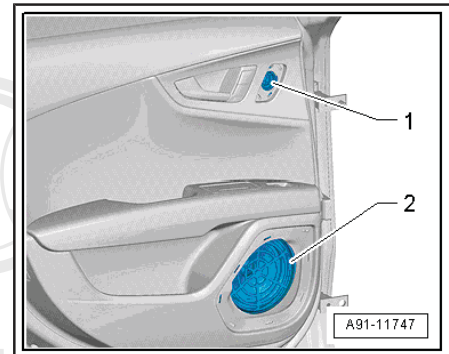
2.10.1 Removing and installing rear bass loudspeakers -R15- / -R17-

The rear left bass loudspeaker - R15- and the rear right bass loudspeaker - R17- -2- are located in the rear doors (bottom).

The removal and installation procedure is similar for all components.

Removing

- Switch off ignition and all electrical equipment and remove ignition key.
- Remove rear door trim ⇒ General body repairs, interior; Rep. gr. 70 ; Rear door trim; Removing and installing door trim (rear) .

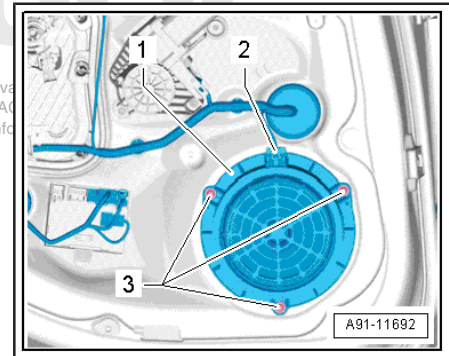


- Release and unplug electrical connector -2- at rear left bass loudspeaker - R15- -1-.

- Remove bolts -3-.

- Detach rear left bass loudspeaker - R15- -1-.

Protected by copyright. Copying for private use is permitted unless authorised by AUDI AG. In respect to the correctness of information, please refer to the original technical documentation.



Installing

- Install in reverse sequence of removal.

Tightening torques

- ◆ ⇒ ["2.2.1 Overview of fitting locations - sound system, loudspeakers \(standard/BOSE\), Saloon", page 45](#)
- ◆ ⇒ ["2.2.2 Overview of fitting locations - sound system, loudspeakers \(standard, BOSE\), Avant", page 47](#)

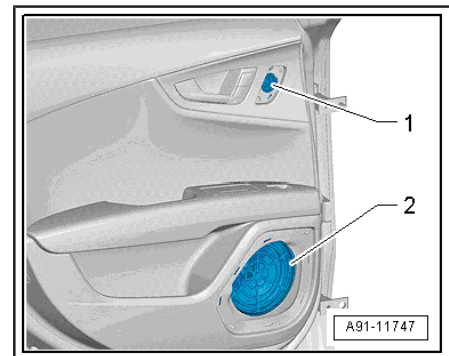
2.10.2 Removing and installing rear bass loudspeakers -R15- / -R17- - Bang & Olufsen

The rear left bass loudspeaker - R15- and the rear right bass loudspeaker - R17- -2- are located in the rear doors (bottom).

The removal and installation procedure is similar for all components.

Removing

- Switch off ignition and all electrical equipment and remove ignition key.
- Remove rear door trim ⇒ General body repairs, interior; Rep. gr. 70 ; Rear door trim; Removing and installing door trim (rear) .



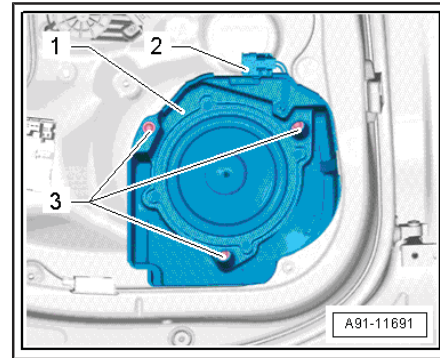
- Release and unplug electrical connector -2- at rear left bass loudspeaker - R15- -1-.
- Remove bolts -3-.
- Detach rear left bass loudspeaker - R15- -1-.

Installing

- Install in reverse sequence of removal.

Tightening torques

- ◆ ⇒ [“2.2.3 Overview of fitting locations - sound system, loudspeakers \(Bang & Olufsen\), Saloon”](#), page 49
- ◆ ⇒ [“2.2.4 Overview of fitting locations - sound system, loudspeakers \(Bang & Olufsen\), Avant”](#), page 51



2.11 Removing and installing front bass loudspeakers -R21- / -R23-

⇒ [“2.11.1 Removing and installing front bass loudspeakers R21 / R23 \(Standard\)”](#), page 74

⇒ [“2.11.2 Removing and installing front bass loudspeakers R21 / R23 \(BOSE\)”](#), page 75

⇒ [“2.11.3 Removing and installing front bass loudspeakers R21 / R103 / R23 / R104 \(Bang & Olufsen\)”](#), page 75

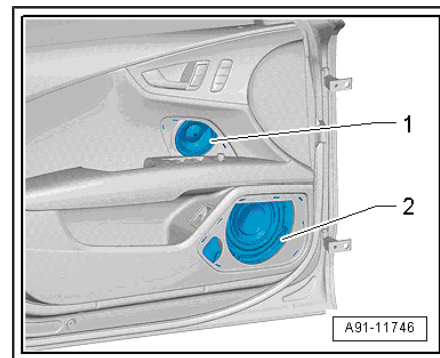
2.11.1 Removing and installing front bass loudspeakers -R21- / -R23- (Standard)

The front left bass loudspeaker - R21- and the front right bass loudspeaker - R23- -2- are located in the front doors (bottom).

The removal and installation procedure is similar for all components.

Removing

- Switch off ignition and all electrical equipment and remove ignition key.
- Remove door trim (front) ⇒ General body repairs, interior; Rep. gr. 70 ; Door trim (front); Removing and installing door trim (front) .



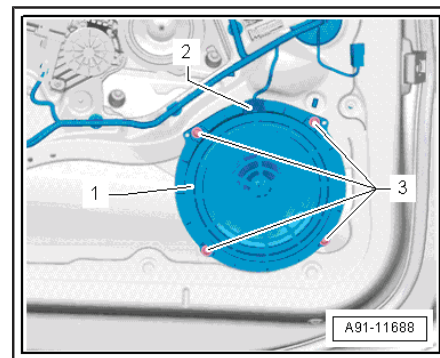
- Release and unplug connector -2- at front left bass loudspeaker - R21- -1-.
- Remove bolts -3-.
- Detach front left bass loudspeaker - R21- -1-.

Installing

- Install in reverse sequence of removal.

Tightening torques

- ◆ ⇒ [“2.2.1 Overview of fitting locations - sound system, loudspeakers \(standard/BOSE\), Saloon”](#), page 45
- ◆ ⇒ [“2.2.2 Overview of fitting locations - sound system, loudspeakers \(standard, BOSE\), Avant”](#), page 47



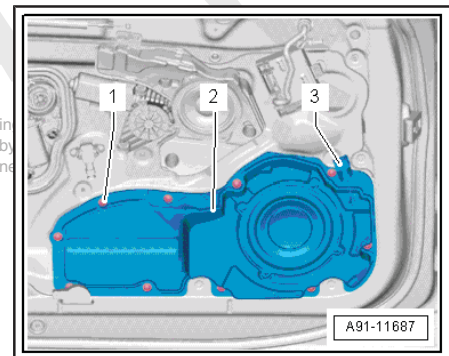
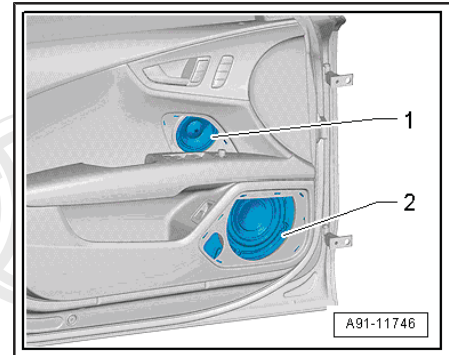
2.11.2 Removing and installing front bass loudspeakers -R21- / -R23- (BOSE)

The front left bass loudspeaker - R21- and the front right bass loudspeaker - R23- -2- are located in the front doors (bottom).

The removal and installation procedure is similar for all components.

Removing

- Switch off ignition and all electrical equipment and remove ignition key.
- Remove door trim (front) ⇒ General body repairs, interior; Rep. gr. 70 ; Door trim (front); Removing and installing door trim (front) .
- Release and unplug connector -3- at front left bass loudspeaker - R21- -2-.
- Remove bolts -1- (10x).
- Detach front left bass loudspeaker - R21- -2-.



Installing

- Install in reverse sequence of removal.

Tightening torques

- ◆ ⇒ [“2.2.1 Overview of fitting locations - sound system, loudspeakers \(standard/BOSE\), Saloon”, page 45](#)
- ◆ ⇒ [“2.2.2 Overview of fitting locations - sound system, loudspeakers \(standard, BOSE\), Avant”, page 47](#)

2.11.3 Removing and installing front bass loudspeakers -R21- / -R103- / -R23- / -R104- (Bang & Olufsen)

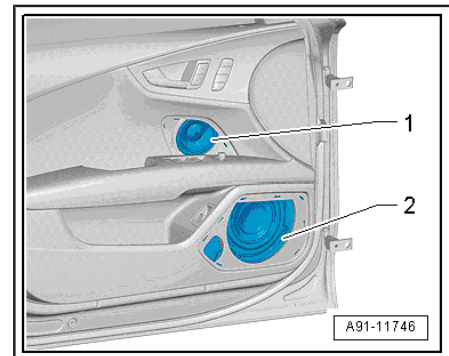
The front left bass loudspeaker - R21- , front right bass loudspeaker - R23- , front left mid-range loudspeaker - R103- and front right mid-range loudspeaker - R104- -2- are located in the front doors (bottom).

The front left bass loudspeaker - R21- , front left mid-range loudspeaker - R103- and front right bass loudspeaker - R23- , front right mid-range loudspeaker - R104- are fitted in one housing and cannot be renewed individually.

The following removal and installation instructions refer to the front left bass loudspeaker - R21- .

Removing

- Switch off ignition and all electrical equipment and remove ignition key.
- Remove door trim (front) ⇒ General body repairs, interior; Rep. gr. 70 ; Door trim (front); Removing and installing door trim (front) .



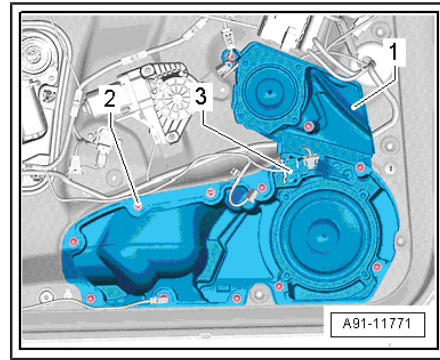
- Release and unplug connector -3- at front left bass loudspeaker - R21- -1-.
- Remove bolts and nuts -2- (12x).
- Detach front left bass loudspeaker - R21- -1-.

Installing

- Install in reverse sequence of removal.

Tightening torques

- ◆ ⇒ [“2.2.3 Overview of fitting locations - sound system, loudspeakers \(Bang & Olufsen\), Saloon”](#), page 49
- ◆ ⇒ [“2.2.4 Overview of fitting locations - sound system, loudspeakers \(Bang & Olufsen\), Avant”](#), page 51



2.12 Removing and installing subwoofer - R211-

⇒ [“2.12.1 Removing and installing subwoofer R211 \(Standard\)”](#), page 76

⇒ [“2.12.2 Removing and installing subwoofer R211 \(BOSE\)”](#), page 77

⇒ [“2.12.3 Removing and installing subwoofer R211 \(Bang & Olufsen, Saloon up to week 07/2013\)”](#), page 77

⇒ [“2.12.4 Removing and installing subwoofer R211 \(Bang & Olufsen, Saloon from week 08/2013 onwards\)”](#), page 78

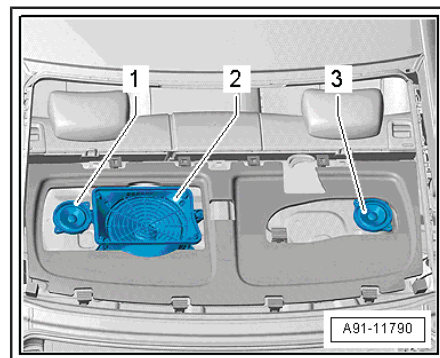
⇒ [“2.12.5 Removing and installing subwoofer R211 \(Avant\)”](#), page 78

2.12.1 Removing and installing subwoofer - R211- (Standard)

The subwoofer - R211- -2- is located in the rear shelf (centre).

Removing

- Switch off ignition and all electrical equipment and remove ignition key.
- Remove rear shelf ⇒ General body repairs, interior; Rep. gr. 70 ; Passenger compartment trim; Removing and installing rear shelf .



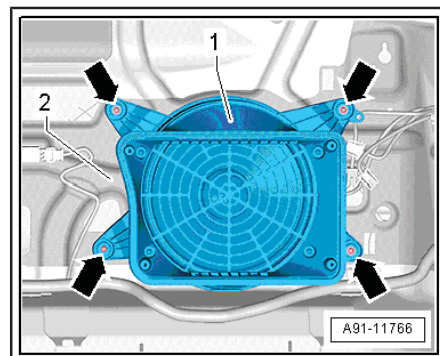
- Release and unplug connector at subwoofer - R211- -1-.
- Remove bolts -arrows- on subwoofer - R211- -1-.
- Lift subwoofer - R211- -1- off rear shelf -2-.

Installing

- Install in reverse sequence of removal.

Tightening torques

- ◆ ⇒ [“2.2.1 Overview of fitting locations - sound system, loudspeakers \(standard/BOSE\), Saloon”](#), page 45

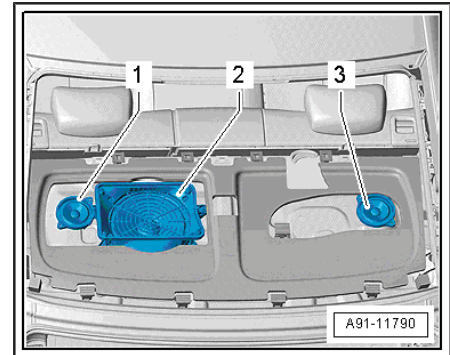


2.12.2 Removing and installing subwoofer - R211- (BOSE)

The subwoofer - R211- -2- is located in the rear shelf (centre).

Removing

- Switch off ignition and all electrical equipment and remove ignition key.
- Remove rear shelf ⇒ General body repairs, interior; Rep. gr. 70 ; Passenger compartment trim; Removing and installing rear shelf .



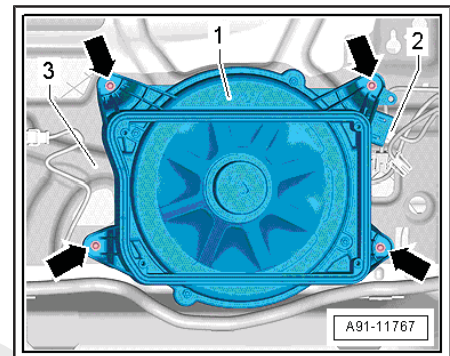
- Release and unplug connector -2- at subwoofer - R211- -1-.
- Remove bolts -arrows- on subwoofer - R211- -1-.
- Lift subwoofer - R211- -1- off rear shelf -3-.

Installing

- Install in reverse sequence of removal.

Tightening torques

- ◆ ⇒ [“2.2.1 Overview of fitting locations - sound system, loudspeakers \(standard/BOSE\), Saloon”, page 45](#)

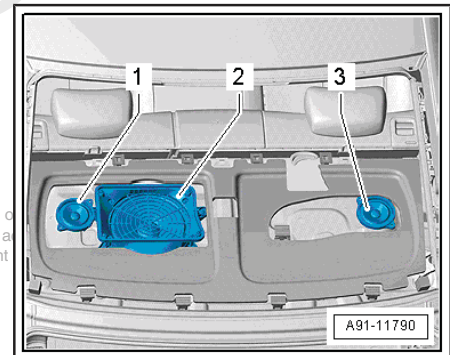


2.12.3 Removing and installing subwoofer - R211- (Bang & Olufsen, Saloon up to week 07/2013)

The subwoofer - R211- -2- is located in the rear shelf (centre). The subwoofer - R211- is secured to rear shelf (top) and can be removed downwards into the luggage compartment.

Removing

- Switch off ignition and all electrical equipment and remove ignition key.
- Remove rear shelf ⇒ General body repairs, interior; Rep. gr. 70 ; Passenger compartment trim; Removing and installing rear shelf .
- Open luggage compartment.



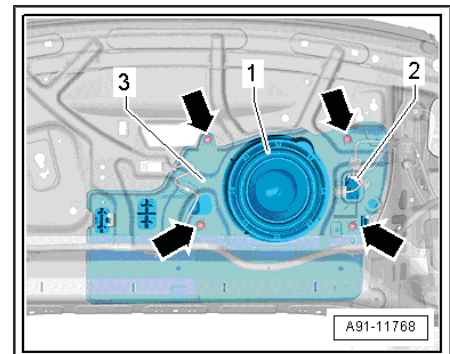
- Release and unplug connector -2- at subwoofer - R211- -1-.
- Remove bolts -arrows- at subwoofer - R211- -1- and remove subwoofer - R211- -1- from rear shelf -3- downwards into luggage compartment.

Installing

- Install in reverse sequence of removal.

Tightening torques

- ◆ ⇒ [“2.2.3 Overview of fitting locations - sound system, loudspeakers \(Bang & Olufsen\), Saloon”, page 49](#)



2.12.4 Removing and installing subwoofer - R211- (Bang & Olufsen, Saloon from week 08/2013 onwards)

The subwoofer - R211- -2- is located in the luggage compartment recess (right-side).

Removing

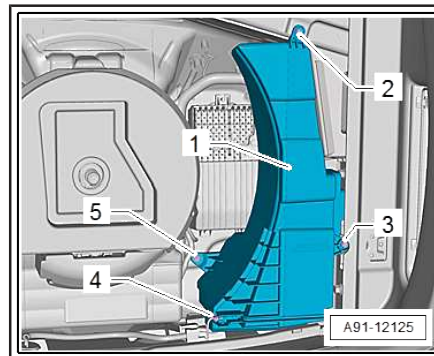
- Switch off ignition and all electrical equipment and remove ignition key.
- Remove luggage compartment floor covering.
- Remove bolts -2 and 3- and nut -5- from subwoofer - R211- -1-.
- Release and unplug connector -4-.
- Lift out subwoofer - R211- -1-.

Installing

- Protected by copyright. Copying for private or commercial purposes, in part or in whole, is not permitted unless authorised by AUDI AG. AUDI AG does not guarantee or accept any liability with respect to the correctness of information in this document. Copyright by AUDI AG.
- Install in reverse sequence of removal.

Tightening torques

- ◆ ⇒ [“2.2.3 Overview of fitting locations - sound system, loud-speakers \(Bang & Olufsen\), Saloon”, page 49](#)



2.12.5 Removing and installing subwoofer - R211- (Avant)

The subwoofer - R211- -2- is located in the luggage compartment recess (right-side).

Removing

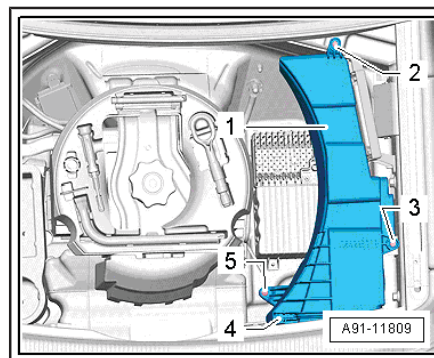
- Switch off ignition and all electrical equipment and remove ignition key.
- Remove luggage compartment floor covering.
- Remove bolts -2 and 3- and nut -5- from subwoofer - R211- -1-.
- Release and unplug connector -4-.
- Lift out subwoofer - R211- -1-.

Installing

- Install in reverse sequence of removal.

Tightening torques

- ◆ ⇒ [“2.2.2 Overview of fitting locations - sound system, loud-speakers \(standard, BOSE\), Avant”, page 47](#)
- ◆ ⇒ [“2.2.4 Overview of fitting locations - sound system, loud-speakers \(Bang & Olufsen\), Avant”, page 51](#)



2.13 Removing and installing effect loudspeakers

⇒ ["2.13.1 Removing and installing effect loudspeakers R209 / R210 \(BOSE\)", page 79](#)

⇒ ["2.13.2 Removing and installing effect loudspeakers R209 / R210 \(Bang & Olufsen\)", page 79](#)

⇒ ["2.13.3 Removing and installing effect loudspeakers R209 / R210 \(Avant\)", page 80](#)

2.13.1 Removing and installing effect loudspeakers -R209- / -R210- (BOSE)

The left effect loudspeaker - R209- -1- and the right effect loudspeaker - R210- -2- are located in the rear shelf (left and right). Effect loudspeakers are bolted to loudspeaker trim.

Removing

- Switch off ignition and all electrical equipment and remove ignition key.
- Remove loudspeaker trim ⇒ General body repairs, interior; Rep. gr. 70 ; Passenger compartment trim panels; Removing and installing loudspeaker trim .
- Release and unplug connector at left effect loudspeaker - R209- .
- Unscrew bolts -3- at left effect loudspeaker - R209- -1-.
- Lift left effect loudspeaker - R209- -1- off loudspeaker trim -2-.

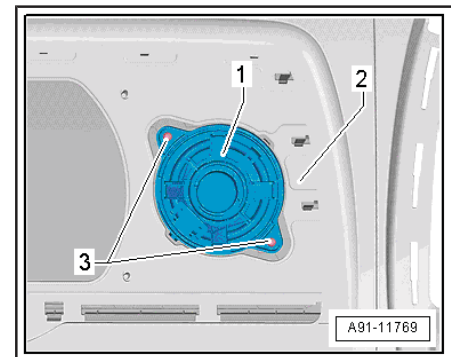
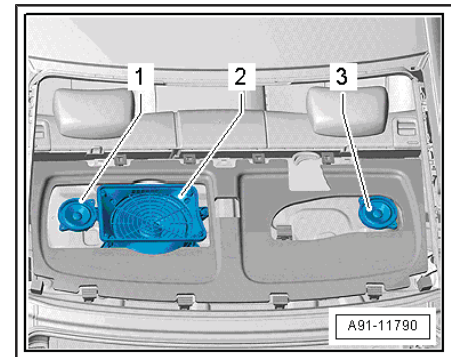
Installing

- Install in reverse sequence of removal.

Tightening torques

- ◆ ⇒ ["2.2.1 Overview of fitting locations - sound system, loudspeakers \(standard/BOSE\), Saloon", page 45](#)

Protected by copyright. Copying for private or commercial purposes, in part or in whole, is not permitted unless authorised by AUDI AG. AUDI AG does not guarantee or accept any liability with respect to the correctness of information in this document. Copyright by AUDI AG.



2.13.2 Removing and installing effect loudspeakers -R209- / -R210- (Bang & Olufsen)

The left effect loudspeaker - R209- and the right effect loudspeaker - R210- are located in the rear shelf (left and right).

Removing

- Switch off ignition and all electrical equipment and remove ignition key.
- Remove rear shelf ⇒ General body repairs, interior; Rep. gr. 70 ; Passenger compartment trim; Removing and installing rear shelf .

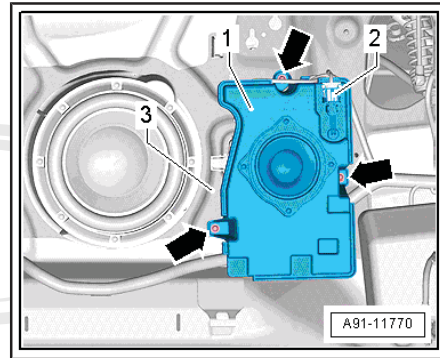
- Unscrew bolts -arrows- at left effect loudspeaker - R209- -1-.
- Release and unplug connector -2- at left effect loudspeaker - R209- -1-.
- Lift left effect loudspeaker - R209- -1- off rear shelf -3-.

Installing

- Install in reverse sequence of removal.

Tightening torques

- ◆ ⇒ [“2.2.3 Overview of fitting locations - sound system, loudspeakers \(Bang & Olufsen\), Saloon”, page 49](#)



2.13.3 Removing and installing effect loudspeakers -R209- / -R210- (Avant)

The left effect loudspeaker - R209- and the right effect loudspeaker - R210- are located in the D-pillars (left and right).

The removal and installation procedure is similar for all components.

Removing

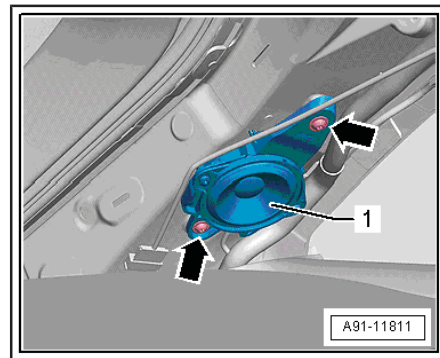
- Switch off ignition and all electrical equipment and remove ignition key.
- Remove D-pillar trim ⇒ General body repairs, interior; Rep. gr. 70 ; Passenger compartment trim panels; Removing and installing D-pillar trim .
- Release and unplug connector at left effect loudspeaker - R209- .
- Unscrew bolts -arrows- at left effect loudspeaker - R209- -1-.
- Detach left effect loudspeaker - R209- -1- from D-pillar.

Installing

- Install in reverse sequence of removal.

Tightening torques

- ◆ ⇒ [“2.2.2 Overview of fitting locations - sound system, loudspeakers \(standard, BOSE\), Avant”, page 47](#)
- ◆ ⇒ [“2.2.4 Overview of fitting locations - sound system, loudspeakers \(Bang & Olufsen\), Avant”, page 51](#)



2.14 Removing and installing centre loudspeaker

⇒ ["2.14.1 Removing and installing centre loudspeaker R208", page 81](#)

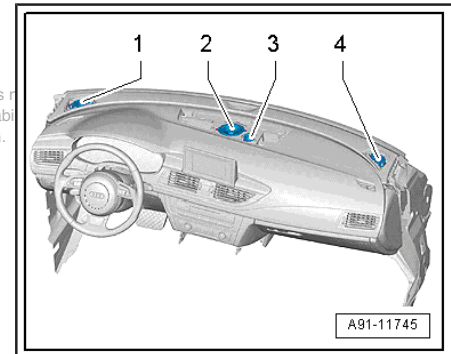
⇒ ["2.14.2 Removing and installing centre loudspeaker 2 R219 - Bang & Olufsen", page 81](#)

2.14.1 Removing and installing centre loudspeaker - R208-

The centre loudspeaker - R208- -2- is located in the dash panel (front centre).

Removing

- Switch off ignition and all electrical equipment and remove ignition key.
- Remove centre loudspeaker trim ⇒ General body repairs, interior; Rep. gr. 70 ; Dash panel; Removing and installing loudspeaker trim .



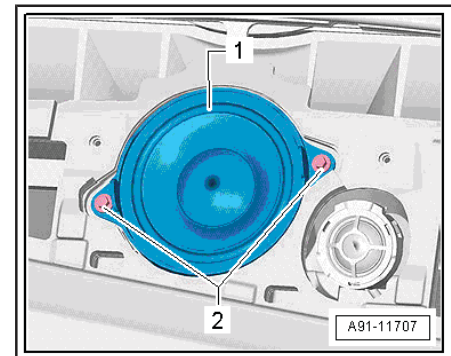
- Remove bolts -2- on centre loudspeaker - R208- -1-.
- Release and unplug connector at centre loudspeaker - R208- -1-.
- Remove centre loudspeaker - R208- -1- from dash panel.

Installing

- Install in reverse sequence of removal.

Tightening torques

- ◆ ⇒ ["2.2.1 Overview of fitting locations - sound system, loudspeakers \(standard/BOSE\), Saloon", page 45](#)
- ◆ ⇒ ["2.2.2 Overview of fitting locations - sound system, loudspeakers \(standard, BOSE\), Avant", page 47](#)
- ◆ ⇒ ["2.2.3 Overview of fitting locations - sound system, loudspeakers \(Bang & Olufsen\), Saloon", page 49](#)
- ◆ ⇒ ["2.2.4 Overview of fitting locations - sound system, loudspeakers \(Bang & Olufsen\), Avant", page 51](#)

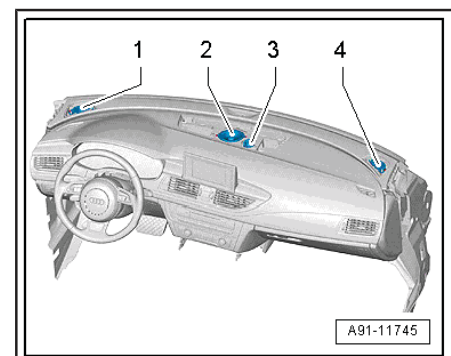


2.14.2 Removing and installing centre loudspeaker 2 - R219- - Bang & Olufsen

The centre loudspeaker 2 - R219- -3- is located in the dash panel (front centre).

Removing

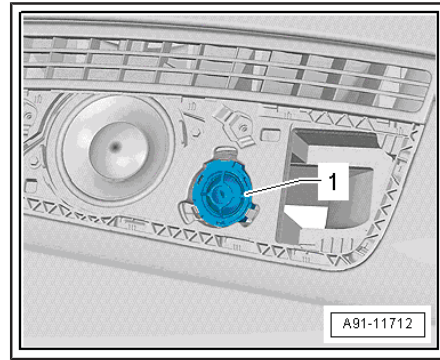
- Switch off ignition and all electrical equipment and remove ignition key.
- Remove centre loudspeaker trim ⇒ General body repairs, interior; Rep. gr. 70 ; Dash panel; Removing and installing loudspeaker trim .



- Unclip centre loudspeaker 2 - R219- -1- from dash panel.
- Release and unplug connector at centre loudspeaker 2 - R219- -1-.

Installing

- Install in reverse sequence of removal.



2.15 Removing and installing ANC microphones

The ANC microphones are located in the moulded headliner.

ANC microphones - overview ⇒ [page 56](#) .

Removing

- Switch off ignition and all electrical equipment and remove ignition key.

To remove ANC microphones, moulded headliner must be lowered on appropriate side.

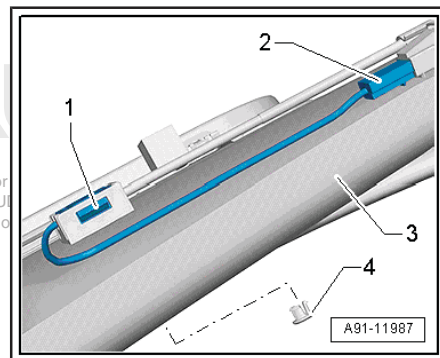
- Lower moulded headliner ⇒ General body repairs, interior; Rep. gr. 70 ; Roof trim; Removing and installing moulded headliner .
- Unplug connector -2- on appropriate microphone.
- Pry microphone -1- out of retainer and remove from moulded headliner -3-.

Cover -4- remains in moulded headliner.

Installing

- Install in reverse sequence of removal.

Protected by copyright. Copying for permitted unless authorised by AU with respect to the correctness of



2.16 Pin assignment

⇒ [“2.16.1 Pin assignment for digital sound package control unit J525 - BOSE, up to model year 2014”, page 83](#)

⇒ [“2.16.2 Pin assignment for digital sound package control unit J525 - Bang & Olufsen, up to model year 2014”, page 85](#)

⇒ [“2.16.3 Pin assignment for digital sound package control unit 2 J787 - Bang & Olufsen, up to model year 2014”, page 87](#)

2.16.1 Pin assignment for digital sound package control unit - J525- - BOSE, up to model year 2014

Digital sound package control unit - J525-

- 1 - MOST bus
- 2 - 18-pin connector - T18-
- 3 - 38-pin connector - T38-

Protected by copyright. Copying for private or commercial purposes, in part or in full, is prohibited unless authorised by AUDI AG. AUDI AG does not guarantee with respect to the correctness of information in this document. Copy



Note

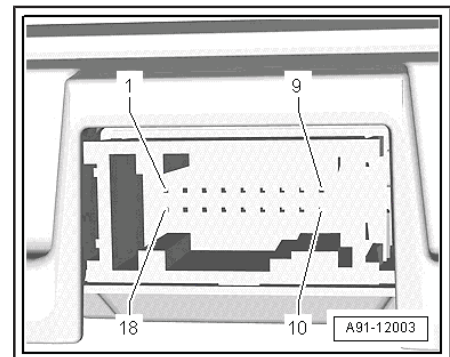
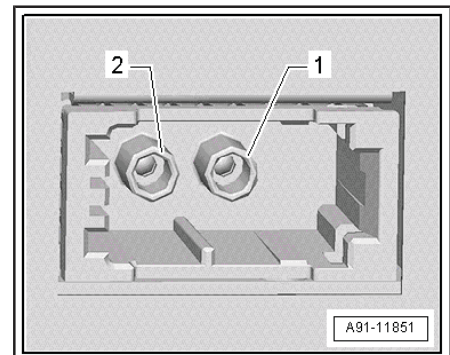
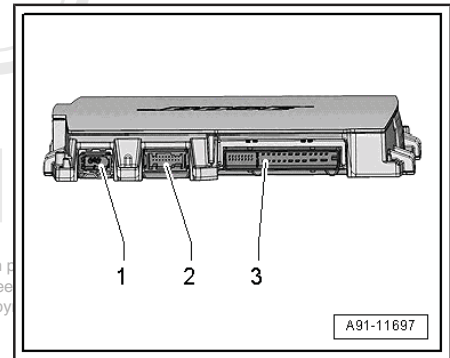
Contacts which are not listed are not used.

1 - MOST bus

- 1 - Output
- 2 - Input

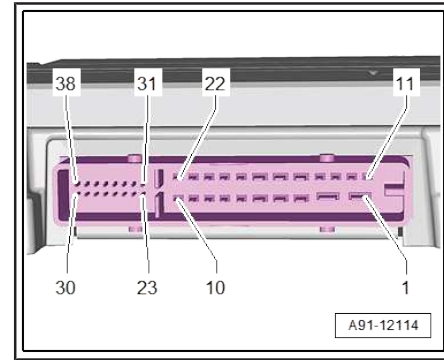
2 - 18-pin connector - T18-

- 6 - Rear left microphone - R144- (+)
- 7 - Rear left microphone - R144- (-)
- 8 - Rear right microphone - R145- (+)
- 9 - Rear right microphone - R145- (-)
- 10 - Engine speed signal from engine control unit - J623- (+)
- 11 - Engine speed signal from engine control unit - J623- (-)
- 13 - Centre right microphone - R143- (+)
- 14 - Centre right microphone - R143- (-)
- 16 - Centre left microphone - R142- (+)
- 17 - Centre left microphone - R142- (-)



3 - 38-pin connector - T38-

- 1 - Terminal 30
- 2 - Terminal 31
- 3 - Loudspeaker (+), rear right
- 4 - Front left bass loudspeaker - R21- (+)
- 5 - Subwoofer - R211- (-)
- 6 - Not used
- 7 - Front left mid-range loudspeaker - R103- (-)
- 8 - Front right mid-range loudspeaker - R104- (+)
- 9 - Front right treble loudspeaker - R22- (-)
- 10 - Front left treble loudspeaker - R20- (+)
- 11 - Front right bass loudspeaker - R23- (-)
- 12 - Front right bass loudspeaker - R23- (+)
- 13 - Loudspeaker (+), rear left
- 14 - Loudspeaker (-), rear left
- 15 - Loudspeaker (-), rear right
- 16 - Front left bass loudspeaker - R21- (-)
- 17 - Subwoofer - R211- (+)
- 18 - Not used
- 19 - Front left mid-range loudspeaker - R103- (+)
- 20 - Front right mid-range loudspeaker - R104- (-)
- 21 - Front right treble loudspeaker - R22- (+)
- 22 - Front left treble loudspeaker - R20- (-)
- 23 - Not used
- 24 - Not used
- 25 - Open circuit diagnostic lead
- 26 - Not used
- 27 - Not used
- 28 - Screen earth from microphone unit in front roof module - R164- , internal microphone - R74-
- 29 - Microphone unit in front roof module - R164- , internal microphone - R74- (-)
- 30 - Microphone unit in front roof module - R164- , internal microphone - R74- (+)
- 31 - Centre loudspeaker - R208- (+)
- 32 - Centre loudspeaker - R208- (-)
- 33 - Left effect loudspeaker - R209- (-)
- 34 - Left effect loudspeaker - R209- (+)
- 35 - Not used
- 36 - Not used
- 37 - Right effect loudspeaker - R210- (+)
- 38 - Right effect loudspeaker - R210- (-)



2.16.2 Pin assignment for digital sound package control unit - J525- - Bang & Olufsen, up to model year 2014

Digital sound package control unit - J525-

- 1 - MOST bus
- 2 - 32-pin connector - T32e-
- 3 - 38-pin connector - T38-

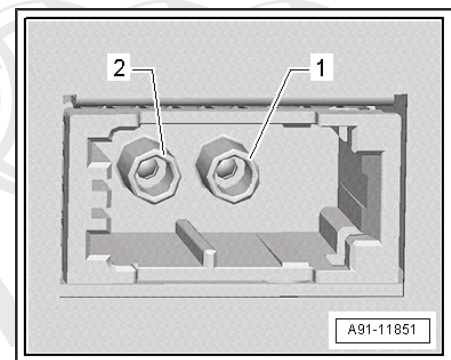
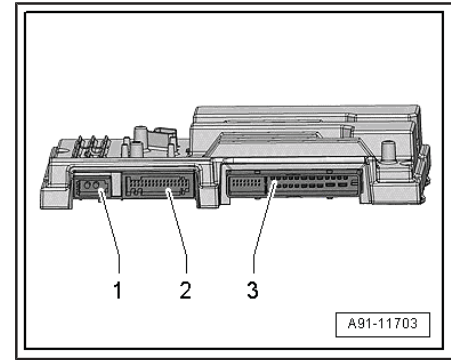


Note

Contacts which are not listed are not used.

1 - MOST bus

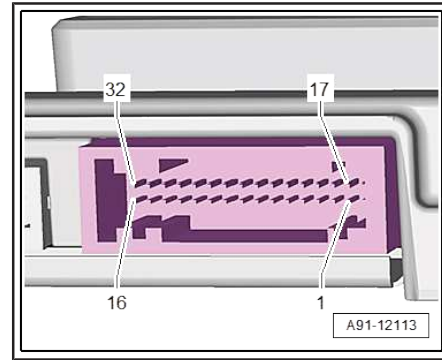
- 1 - Output
- 2 - Input



Protected by copyright. Copying for private or commercial purposes, in part or in whole, is not permitted unless authorised by AUDI AG. AUDI AG does not guarantee or accept any liability with respect to the correctness of information in this document. Copyright by AUDI AG.

2 - 32-pin connector - T32e-

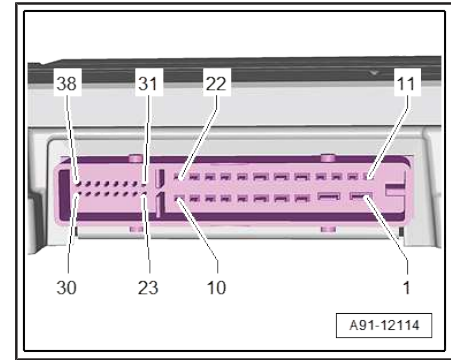
- 1 - Digital sound package control unit 2 - J787-
- 2 - Digital sound package control unit 2 - J787-
- 3 - Digital sound package control unit 2 - J787-
- 4 - Digital sound package control unit 2 - J787-
- 5 - Digital sound package control unit 2 - J787-
- 6 - Centre left microphone - R142- (+)
- 7 - Centre right microphone - R143- (+)
- 8 - Rear left microphone - R144- (+)
- 9 - Microphone unit in front roof module - R164- , internal microphone - R74- (+)
- 10 - Rear right microphone - R145- (+)
- 11 - Screen earth
- 12 - Engine speed signal from engine control unit - J623- (+)
- 13 - Not used
- 14 - Digital sound package control unit 2 - J787-
- 15 - Not used
- 16 - Digital sound package control unit 2 - J787-
- 17 - Digital sound package control unit 2 - J787-
- 18 - Digital sound package control unit 2 - J787-
- 19 - Digital sound package control unit 2 - J787-
- 20 - Digital sound package control unit 2 - J787-
- 21 - Digital sound package control unit 2 - J787-
- 22 - Centre left microphone - R142- (-)
- 23 - Centre right microphone - R143- (-)
- 24 - Rear left microphone - R144- (-)
- 25 - Microphone unit in front roof module - R164- , internal microphone - R74- (-)
- 26 - Rear right microphone - R145- (-)
- 27 - Not used
- 28 - Engine speed signal from engine control unit - J623- (-)
- 29 - Open circuit diagnostic lead
- 30 - Digital sound package control unit 2 - J787-
- 31 - Not used
- 32 - Digital sound package control unit 2 - J787-



Prepared by Audi AG. Copyright by Audi AG. All rights reserved. This document is for internal use only and is not permitted unless authorised by AUDI AG. AUDI AG does not guarantee or accept any liability with respect to the correctness of the information in this document. Copyright by AUDI AG.

3 - 38-pin connector - T38-

- 1 - Terminal 30
- 2 - Terminal 31
- 5 - Front left mid-range loudspeaker - R103- (+)
- 6 - Front right mid-range loudspeaker - R104- (+)
- 7 - Centre loudspeaker - R208- (+)
- 8 - Centre loudspeaker 2 - R219- (+)
- 9 - Left effect loudspeaker - R209- (+)
- 10 - Right effect loudspeaker - R210- (+)
- 17 - Front left mid-range loudspeaker - R103- (-)
- 18 - Front right mid-range loudspeaker - R104- (-)
- 19 - Centre loudspeaker - R208- (-)
- 20 - Centre loudspeaker 2 - R219- (-)
- 21 - Left effect loudspeaker - R209- (-)
- 22 - Right effect loudspeaker - R210- (-)
- 23 - Front left treble loudspeaker - R20- (+)
- 24 - Front right treble loudspeaker - R22- (+)
- 25 - Rear left treble loudspeaker - R14- (+)
- 26 - Rear right treble loudspeaker - R16- (+)
- 31 - Front left treble loudspeaker - R20- (-)
- 32 - Front right treble loudspeaker - R22- (-)
- 33 - Rear left treble loudspeaker - R14- (-)
- 34 - Rear right treble loudspeaker - R16- (-)



2.16.3 Pin assignment for digital sound package control unit 2 - J787- - Bang & Olufsen, up to model year 2014

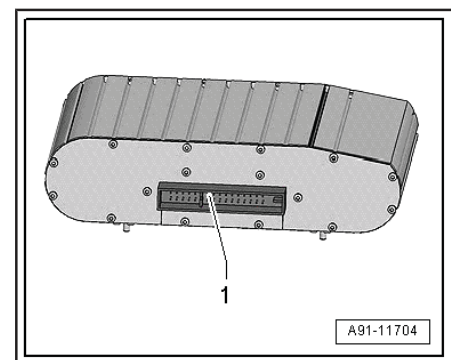
Digital sound package control unit 2 - J787-

- 1 - 32-pin connector - T32f-



Note

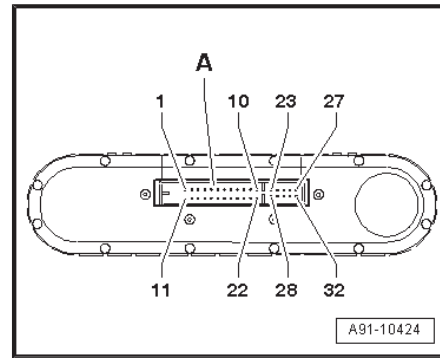
Contacts which are not listed are not used.



Protected by copyright. Copying for private or commercial purposes, in part or in whole, is not permitted unless authorised by AUDI AG. AUDI AG does not guarantee or accept any liability with respect to the correctness of information in this document. Copyright by AUDI AG.

1 - 32-pin connector - T32f-

- 1 - Terminal 30
- 2 - Terminal 31
- 3 - Front right bass loudspeaker - R23- (+)
- 4 - Front right bass loudspeaker - R23- (-)
- 5 - Front left bass loudspeaker - R21- (+)
- 6 - Control motor for front left treble speaker - V344- (-)
- 7 - Control motor for front left treble speaker - V344-
- 8 - Digital sound package control unit - J525-
- 9 - Digital sound package control unit - J525-
- 10 - Digital sound package control unit - J525-
- 11 - Digital sound package control unit - J525-
- 12 - Digital sound package control unit - J525-
- 13 - Digital sound package control unit - J525-
- 14 - Digital sound package control unit - J525-
- 15 - Subwoofer - R211- (+)
- 16 - Subwoofer - R211- (-)
- 17 - Front left bass loudspeaker - R21- (-)
- 18 - Control motor for front left treble speaker - V344- (+)
- 19 - Control motor for front right treble loudspeaker - V345-
- 20 - Digital sound package control unit - J525-
- 21 - Control motor for front right treble speaker - V345- (+)
- 22 - Control motor for front right treble speaker - V345- (-)
- 23 - Digital sound package control unit - J525-
- 24 - Digital sound package control unit - J525-
- 25 - Digital sound package control unit - J525-
- 26 - Digital sound package control unit - J525-
- 27 - Digital sound package control unit - J525-
- 28 - Rear right mid-range and bass loudspeaker - R160- (+)
- 29 - Rear right mid-range and bass loudspeaker - R160- (-)
- 30 - Digital sound package control unit - J525-
- 31 - Rear left mid-range and bass loudspeaker - R159- (+)
- 32 - Rear left mid-range and bass loudspeaker - R159- (-)



Protected by copyright. Copying for private or commercial purposes, in part or in whole, is not authorised by AUDI AG. AUDI AG does not guarantee or accept any liability with respect to the correctness of information in this document. Copyright by AUDI AG.