

1998 Volkswagen Jetta V6-2792cc 2.8L DOHC (AAA) SFI

[Top - Vehicle](#)

■ [Maintenance](#)

■ [Wheels and Tires](#)

■ [Axle Nut](#)

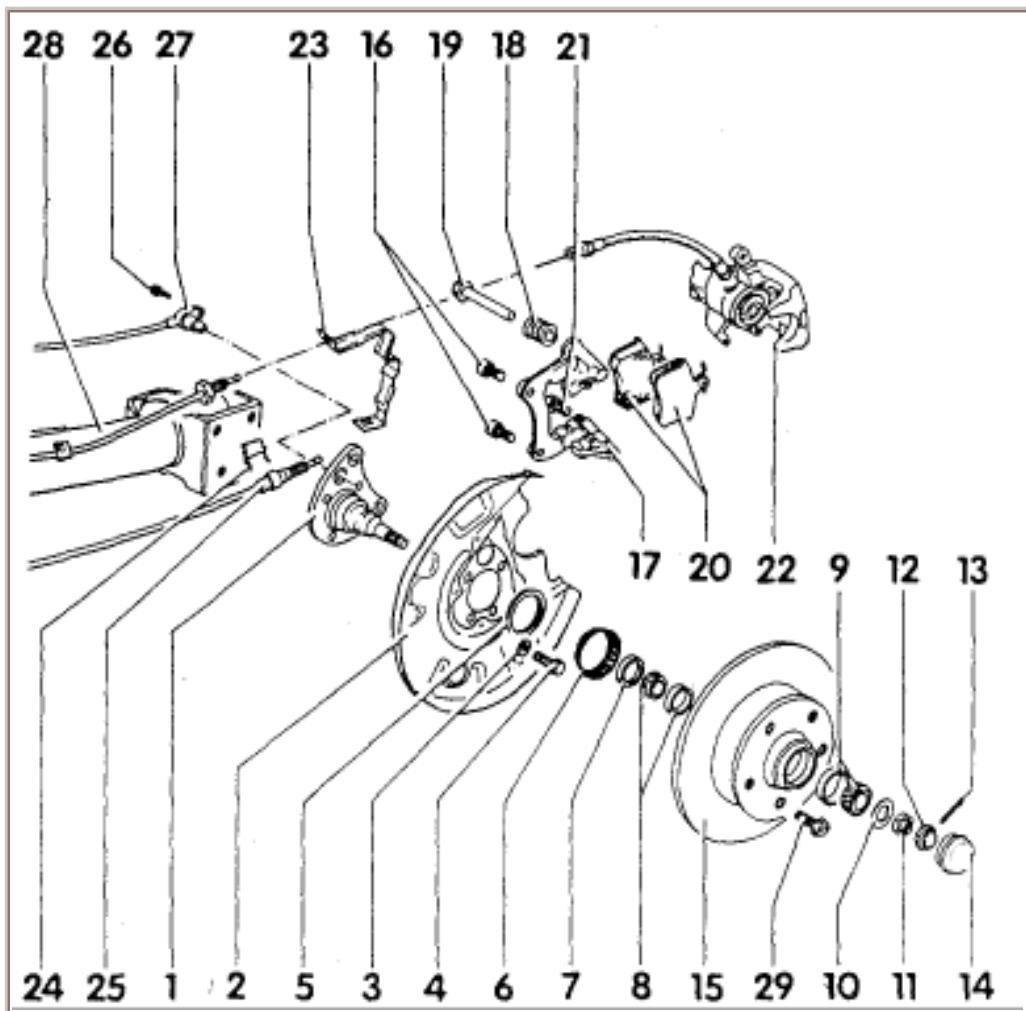
■ [Specifications](#)

■ [Rear](#)

■ [With Disc Brakes](#)

With Disc Brakes

[Wheel Bearing and Axle \(Disc Brakes\), Servicing](#)

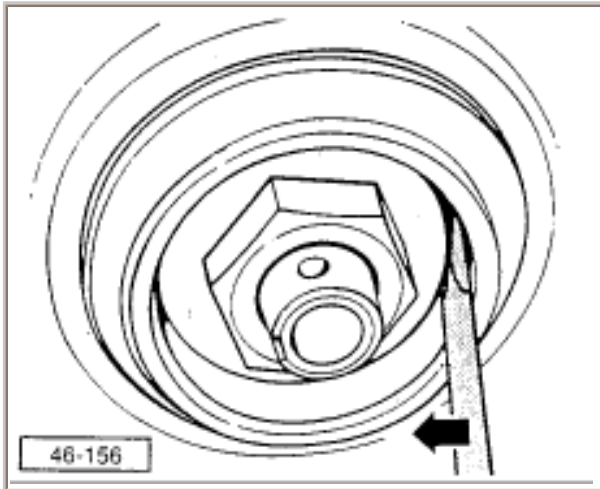


ZOOM

SIZED FOR PRINT

11 Hex Nut

- Tighten to adjust [wheel bearing](#) free play, refer to Fig. 4



ZOOM

SIZED FOR PRINT

Fig. 4 - [Wheel Bearing](#) Play, Adjusting

- The clearance is correctly adjusted when the thrust washer can be moved slightly using finger pressure against a screwdriver (do not pry or twist screwdriver).
- Secure with locking ring and new cotter pin.

1998 Volkswagen Jetta V6-2792cc 2.8L DOHC (AAA) SFI

[Top - Vehicle](#)

■ [Diagrams](#)

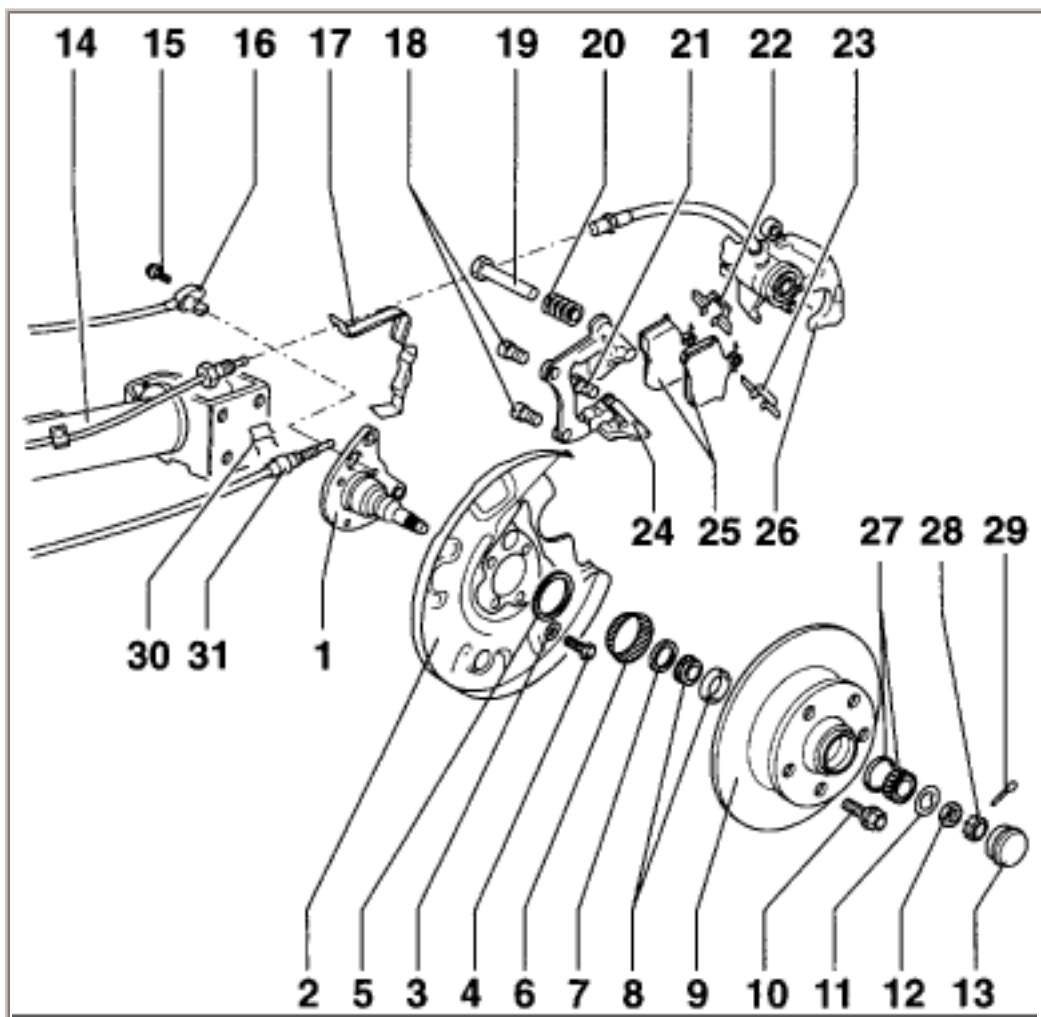
■ [Exploded Views](#)

■ [Disc Brake System](#)

■ [System Diagram](#)

■ **Rear Brakes**

Rear Brakes



ZOOM

SIZED FOR PRINT

Legend

- 1 Stub Axle
- 2 Splash Shield
- 3 Dished Spring-Type Washer
- 4 Bolt
- 5 Cover Ring
- 6 ABS Wheel Speed Sensor Rotor
- 7 Seal
- 8 Inner Wheel Bearing
- 9 Brake Disc
- 10 Wheel Bolt
- 11 Thrust Washer
- 12 Nut
- 13 Grease Cap
- 14 Rear Axle Beam
- 15 Socket Head Bolt
- 16 ABS Wheel Speed Sensor -G44-/-G46
- 17 Brake Hose Bracket
- 18 Bolt
- 19 Guide Pin
- 20 Protective Cap
- 21 Self-Locking Bolt
- 22 Upper Pad Retaining Spring
- 23 Lower Pad Retaining Spring
- 24 Brake Carrier

- 25 [Brake Pads](#)
- 26 [Brake Caliper](#)
- 27 Outer Wheel Bearing
- 28 Lock Ring
- 29 Cotter Pin
- 30 Spring Clip
- 31 [Parking Brake Cable](#)

1998 Volkswagen Jetta V6-2792cc 2.8L DOHC (AAA) SFI

[Top - Vehicle](#)

■ [Diagrams](#)

■ [Exploded Views](#)

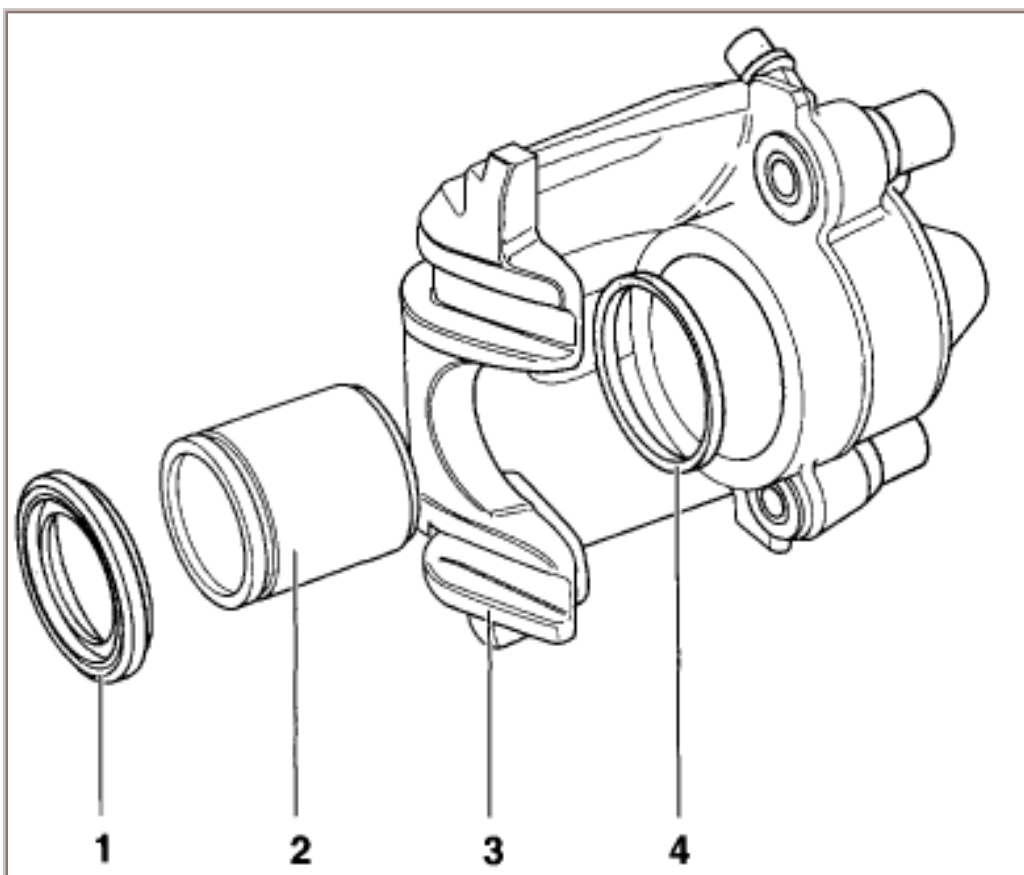
■ [Disc Brake System](#)

■ [Brake Caliper](#)

■ [Front](#)

■ [VW II Caliper](#)

VW II Caliper



ZOOM

SIZED FOR PRINT

Legend

1 Dust Boot

2 Piston

3 [Brake Caliper](#)

4 Piston Seal

1998 Volkswagen Jetta V6-2792cc 2.8L DOHC (AAA) SFI

[Top - Vehicle](#)

■ [Diagrams](#)

■ [Exploded Views](#)

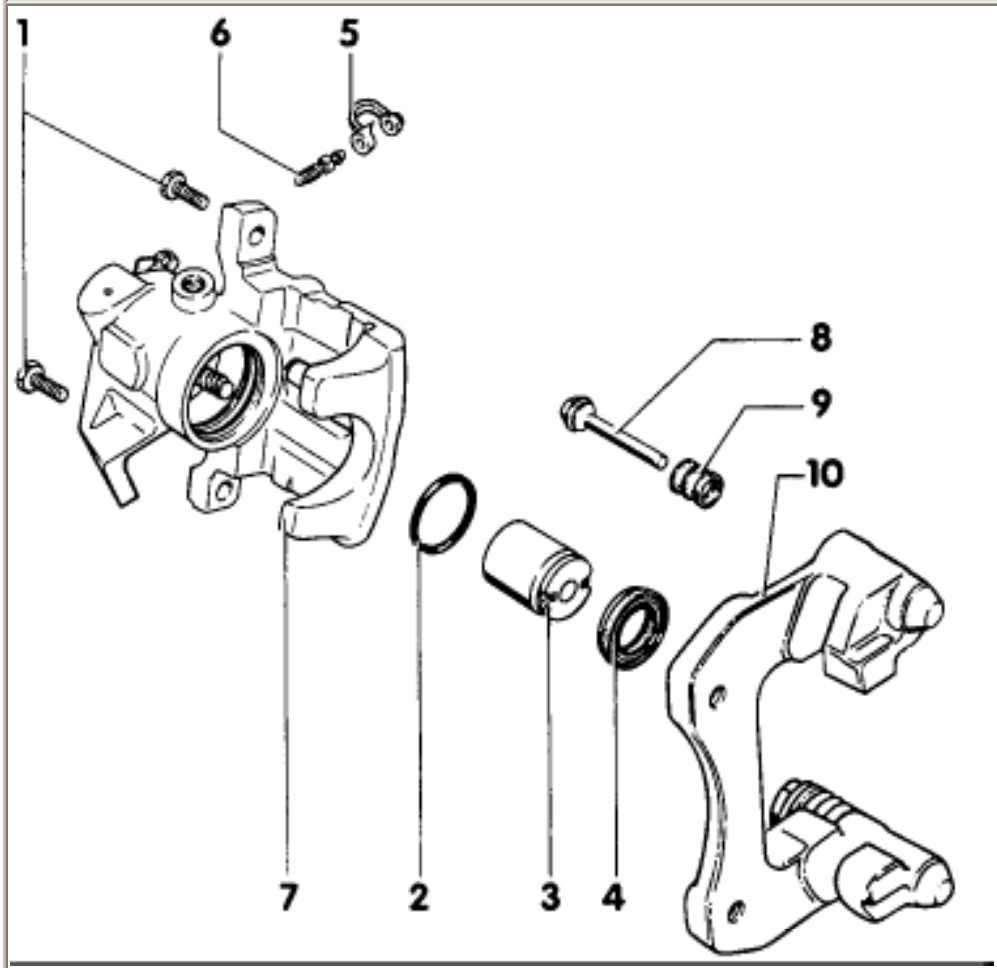
■ [Disc Brake System](#)

■ [Brake Caliper](#)

■ [Rear](#)

Rear

Exploded View Of Rear Caliper



ZOOM

SIZED FOR PRINT

Legend

1. Bolt
2. Piston Seal
3. Piston
4. Dust Boot
5. Cap
6. Bleeder Screw
7. [Brake Caliper](#)
8. Guide Bolts
9. Protective Cap
10. [Brake Pad](#) Carrier