

VW Golf 3 Kitcar

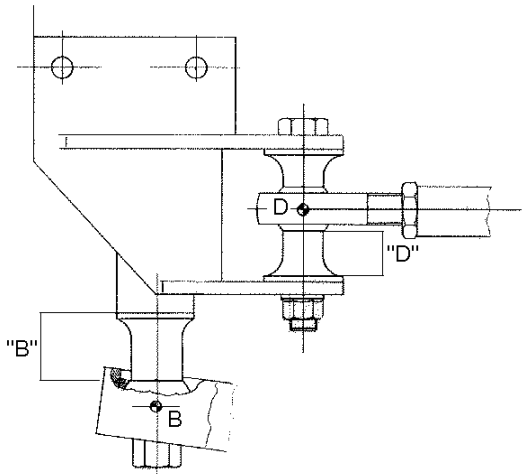
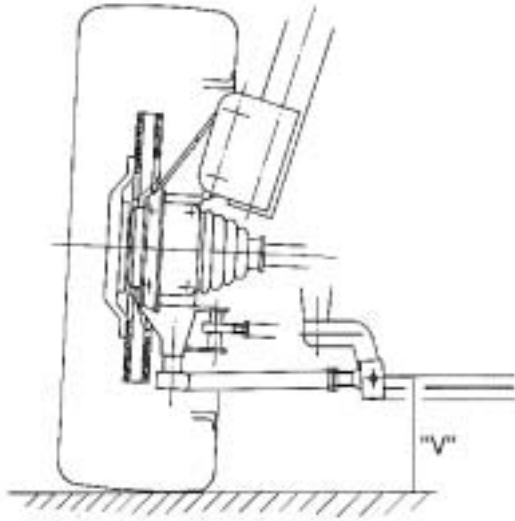


Driver:		Event: Gravel			
Car Nr. : KIT-CAR VWM		Date:			
Engine-Nr: 1 HK 000 VWM		ECU-BOSCH 2.2			
	Front axle			Rear axle	
Suspension					
Spring (N/mm or Type)	300-60-40			300-60-40	
Helper spring (N/mm or Type)	60-60-60			50.60-30	
Type of absorber	Gravel			Gravel	
Absorber adjustment (Z / D)	3/0 - 5/2	3/0 - 5/2	10/8 - 15/10	10/8 - 15/10	
Spring travel limiter Ø/length	44	43	40	42	
Steering lock / stroke	16/51				
Anti-roll bar (D=mm)	without			Standard	
Level height (see sketch)	210	210	245	245	
Length of spring pack	365	365	395	395	
Tie rod height (top/below)	10 / 6				
Leading joint (s.sketch)	17mm				
Position of dome plate (see sketch)	0	0			
Castor (°)	4°50'	4°50'			
Camber(°)	-1°20'	-1°20'	-1°20'	-1°20'	
Camber disk					
Trace (mm)		0		+4	
Brake					
Brake disk	295x28			265x10	
Caliper	AP 4 Piston			AP 2 Piston	
Master brake cylinder	0,75"			7/8"	
Hand brake cylinder	0,7"				
Brake pad quality	RS 14			RS 4-2	
Clutch					
Clutchdisk	AP stiff 200				
Clutch cylinder	0,75"				
Wheels					
Rim	7x15			7x15	
Tire dimension	205/65x15			205/65x15	
Tire pressure	2,0			2,0	
Transmission	Nr.:VWM		Wheel set: Kit - Car		
Final drive i			4,23		
Differential	Nr.:		Type: Lamella		
Ramp angle			On 30	Off 90	
Friction surfaces per side			6		
Preload (Nm) / Mounting clearance (mm)			160 N/m	0,22	
Weight:	FL	FR	BL	BR	

VW Golf 3 Kitcar

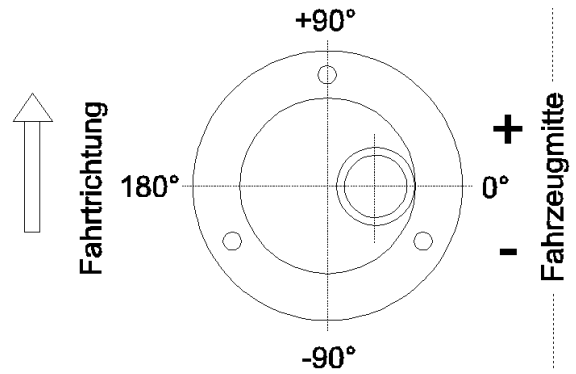


Front axle

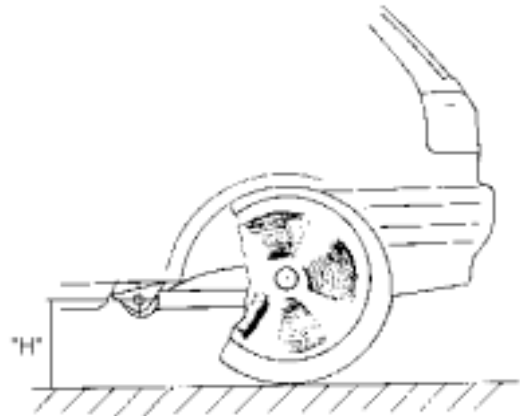


Mounting variation

Position of dome plate left



Hinterachse



VW Golf 3 Kitcar

