

VW Golf 3 Kitcar

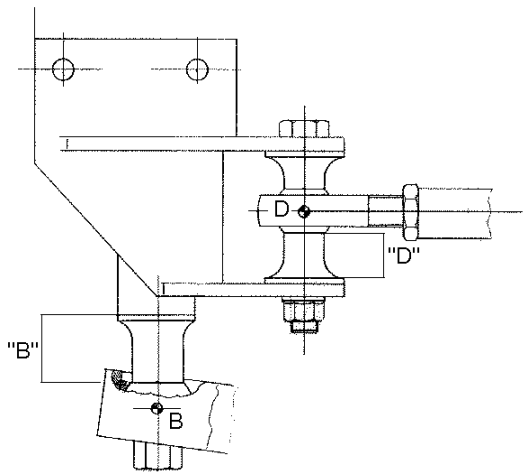
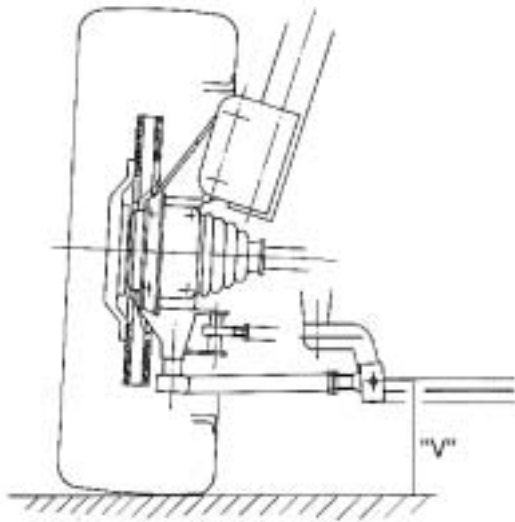


Driver:		Event: Tarmac			
Car nr.. : KIT-CAR		Datum:			
Motor-Nr: 1 HK 000 VWM		ECU BOSCH 2.2			
	Front axle		Rear axle		
Suspension					
Spring (N/mm or Typ)	250-60-80		250-60-80		
Helper spring (N/mm or Typ)	60-60-2		60-60-2		
Type of absorber	Tarmac		Tarmac		
Absorber adjustment (Z / D)	10/9	10/9	12/12	12/12	
Spring travel limiter Ø/length	40	42	40	42	
Steering lock / stroke	16/51				
Anti-roll bar (D=mm)	26		Std.		
Level height (see sketch)	165	165	203	203	
Length of spring pack	310	310	330	330	
Tie rod height (top/below)	5				
Leading joint (see sketch)	48				
Position of dome plate (see sketch)	-1 Loch	-1 Loch			
Castor (°)	6°	6°			
Camber (°)	-3°40'	-3°40'	-3°10'	-3°10'	
Camber disk					
Trace (mm)		0		+5	
Brake					
Brake disk	355x28		265x10		
Caliper	AP 6 Pistopn .		AP 2 Piston		
Master brake cylinder	0,75"		7/8"		
Hand brake cylinder	0,7"				
Brake pad quality	RS 14		RS 4-2		
Clutch					
Clutch disk	AP stiff 200				
Kupplungsgeberzylinder	0,75"				
Wheels					
Rim	7,5x18		7,5x18		
Tire dimesion	225/650x18		225/650x18		
Tire pressure	1,8		1,8		
Transmission		Nr.:VWM	Wheel set.: Kit - Car		
Final drive i				4,23	
Differential		Nr.:	Typ: Lamella		
Ramp angle		On 30	Off 90		
Friction surfaces per side		6			
Preload (Nm) / Mounting clearance (mm)		160 N/m	0,22		
Weight:	FL	FR	BL	BR	



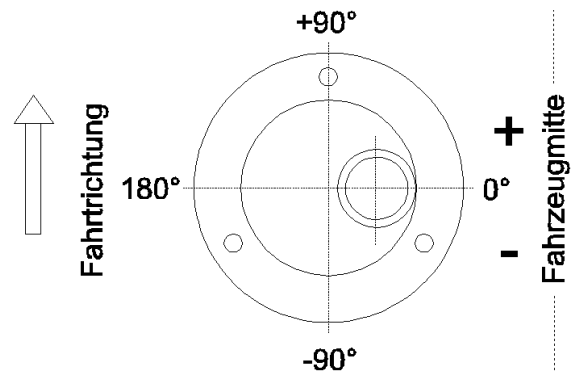
VW Golf 3 Kitcar

Front axle

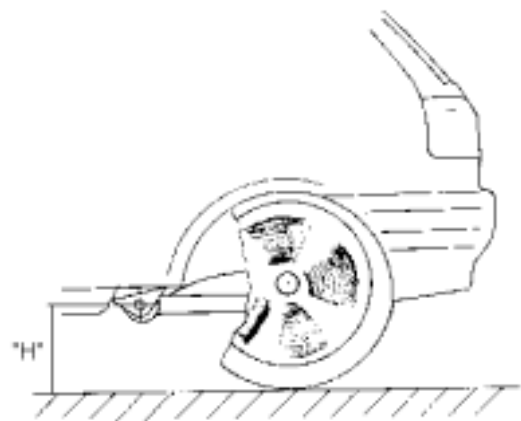


Mounting variations

Position of dome plate left



Rear axle



VW Golf 3 Kitcar

