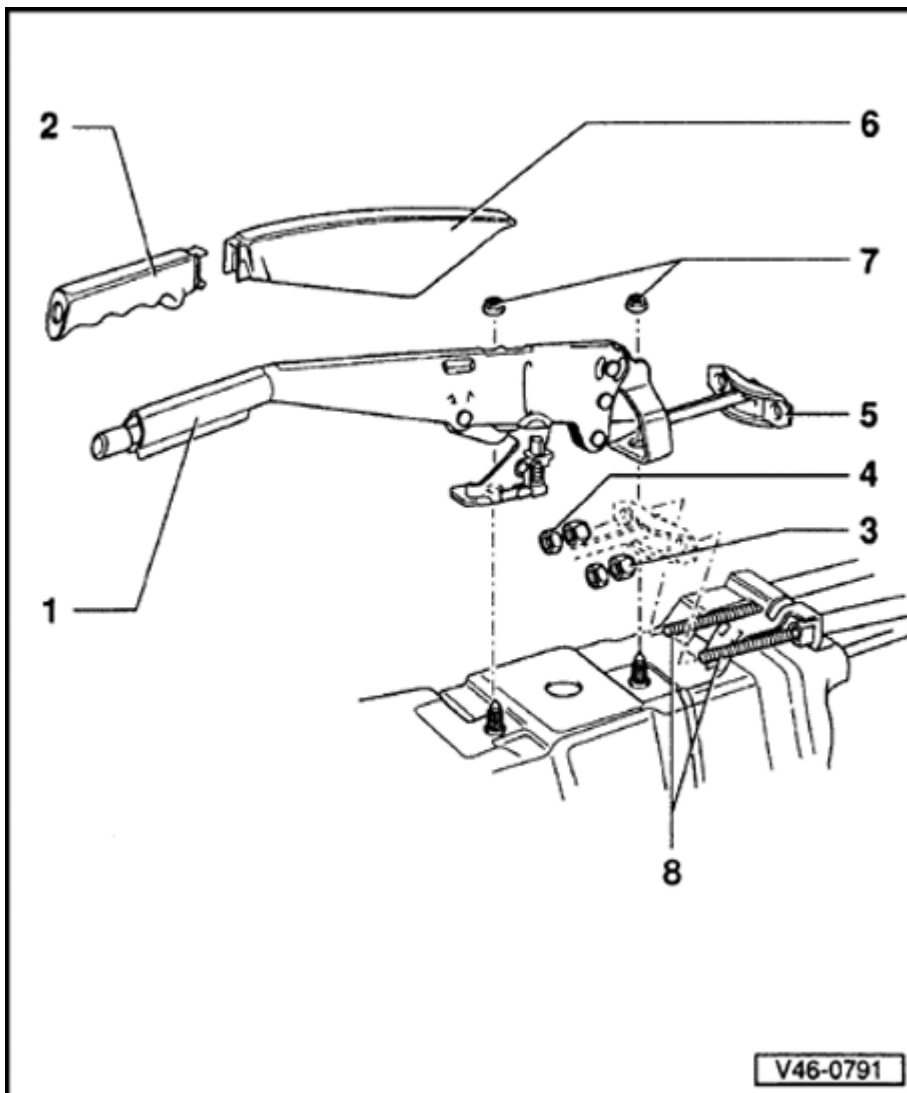




Parking brake lever, assembly overview



■ Parking brake lever

- Different versions for rear drum and disc brakes
- Remove center console before removing.

■ Handle

- Pull off toward front, lift cover beforehand, using small screwdriver ⇒ [46-4, Remove handle](#)

■ Adjustment nut

- Adjusting parking brake:
 - Vehicles with drum brake ⇒ [46-2, Parking brake - drum brake, adjusting](#)
 - Vehicles with disc brake ⇒ [46-3, Parking brake - disc brake, adjusting](#)

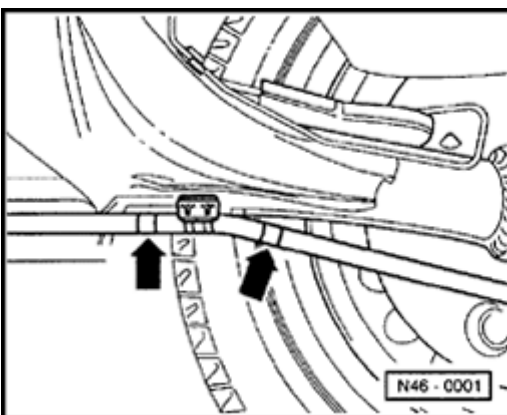
- **Hex nut**
 - Tighten with adjustment nut

- **Compensator bracket**

- **Trim for parking brake lever**
 - Pull off toward front, pull off handle beforehand ⇒ [46-4, Remove handle](#)

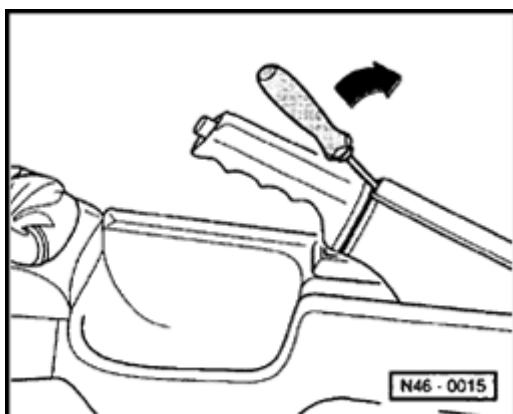
- **Hex nut**

- **Parking brake cable**
 - Different versions for rear drum and disc brakes
 - Allocation ⇒ *Electronic parts catalog "ETKA"*



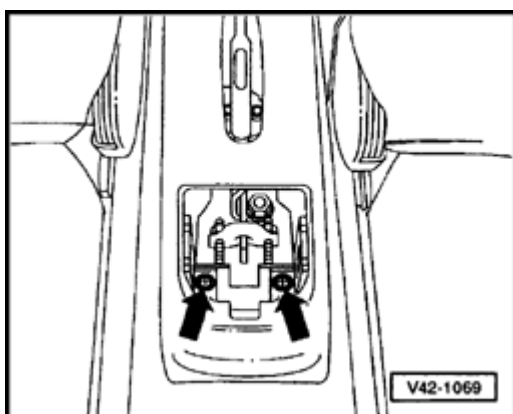
Installation position of parking brake cables

Parking brake cables are secured in center of both color markings - **arrow** - using mounting clamps on axle beam.



Remove handle

- Raise parking brake lever trim using screwdriver and pull off handle with trim toward front.



Remove center console

- Remove rear ashtray (center console).
- Remove rear center console - **arrows** - .